

US00D827133S

(12) **United States Design Patent** (10) **Patent No.:** **US D827,133 S**  
**Großer et al.** (45) **Date of Patent:** **\*\* Aug. 28, 2018**

(54) **PROTECTIVE CAP FOR A SYRINGE DEVICE**

(71) Applicant: **Gerresheimer Regensburg GmbH**, Regensburg (DE)

(72) Inventors: **Jörg Großer**, Lappersdorf (DE); **Udo Leuschner**, Regensburg (DE); **Vojan Vaclav**, Plzen (CZ)

(73) Assignee: **Gerresheimer Regensburg GmbH**, Regensburg (DE)

(\*\*) Term: **15 Years**

(21) Appl. No.: **29/589,458**

(22) Filed: **Dec. 30, 2016**

(30) **Foreign Application Priority Data**

Jul. 8, 2016 (EM) ..... 003300086-0001

(51) **LOC (11) Cl.** ..... **24-02**

(52) **U.S. Cl.**  
USPC ..... **D24/130**

(58) **Field of Classification Search**  
USPC ..... D24/127-131, 112-114, 133, 186;  
606/181, 185; 604/264, 523-528, 272,  
604/187, 158, 164.01-164.11, 181, 184,  
604/227; 600/101, 139, 143;  
128/200.24, 207.14, 207.15  
CPC ..... A61M 5/178; A61M 3/00; A61M 5/20;  
A61M 5/31; A61M 5/3146; A61M  
5/3129; A61M 5/3148; A61M 5/315  
See application file for complete search history.

(56) **References Cited**

**U.S. PATENT DOCUMENTS**

D374,283 S \* 10/1996 Michelson ..... D24/133  
D397,436 S \* 8/1998 Michelson ..... D24/133

D421,120 S \* 2/2000 Brotspies ..... D24/114  
D448,474 S \* 9/2001 Jansen ..... D24/110  
D621,929 S \* 8/2010 Van der Stappen ..... D24/130  
D631,542 S \* 1/2011 DeGross ..... D24/129  
D642,261 S \* 7/2011 York ..... D24/130  
D653,336 S \* 1/2012 Morgan ..... D24/130  
D655,001 S \* 2/2012 Becker ..... D24/130  
D659,825 S \* 5/2012 Dillard, III ..... D24/130  
8,821,451 B2 \* 9/2014 Daniel ..... A61M 5/2033  
604/137  
D718,439 S \* 11/2014 Woehr ..... D24/130  
D751,699 S \* 3/2016 Mills ..... D24/127

\* cited by examiner

*Primary Examiner* — David Muller

(74) *Attorney, Agent, or Firm* — Lowe Graham Jones PLLC

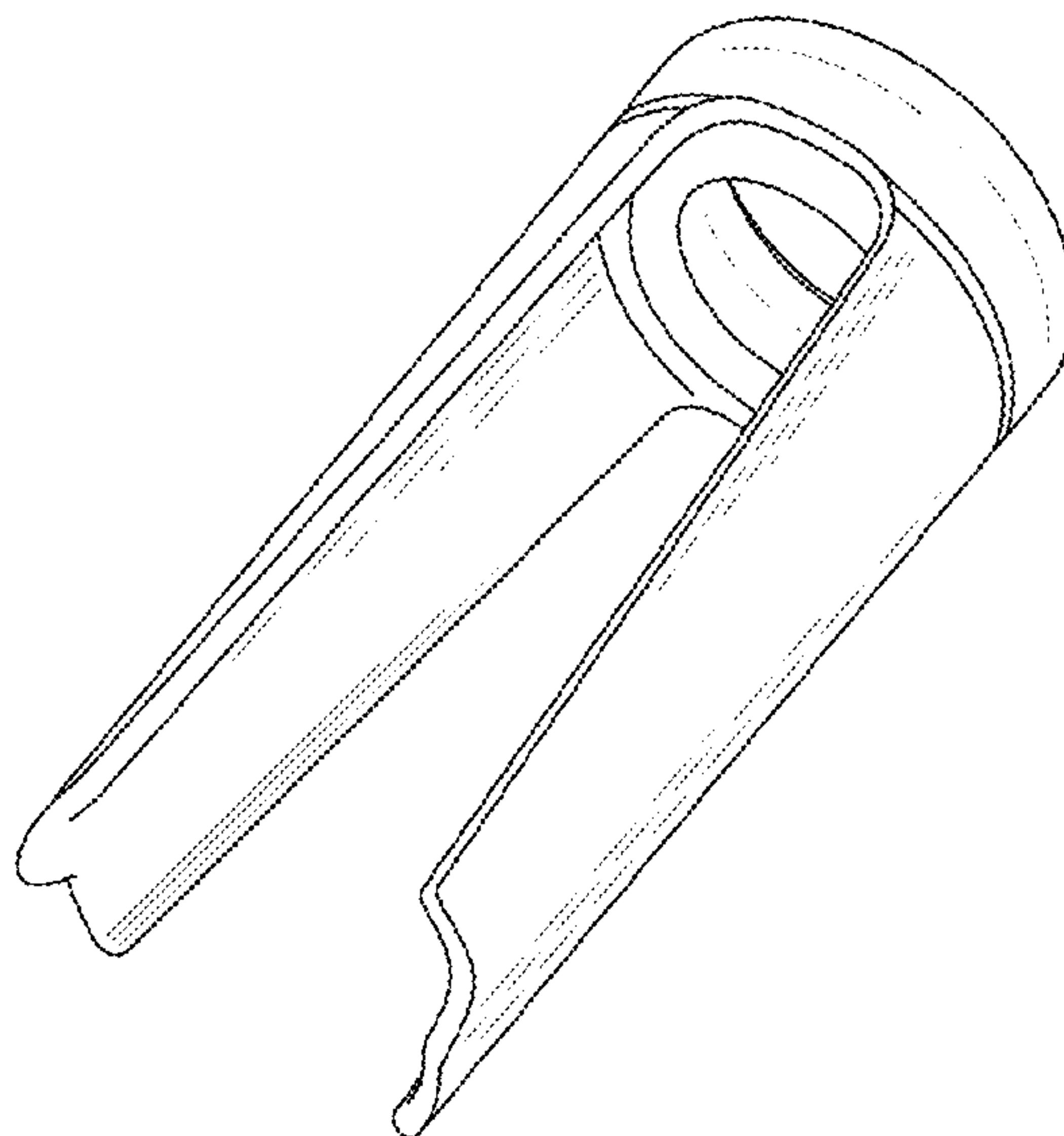
(57) **CLAIM**

We claim the ornamental design for a protective cap for a syringe device, as shown and described.

**DESCRIPTION**

FIG. 1 is a perspective view at an angle from the rear showing a protective cap for a syringe device.  
FIG. 2 is a perspective view at an angle from the front, rotated by 90° around its longitudinal axis showing the protective cap for a syringe device.  
FIG. 3 is a side view showing the protective cap for a syringe device.  
FIG. 4 is a side view rotated by 90° around its longitudinal axis showing the protective cap for a syringe device; and, FIG. 5 is a front view showing the protective cap for a syringe device.

**1 Claim, 5 Drawing Sheets**



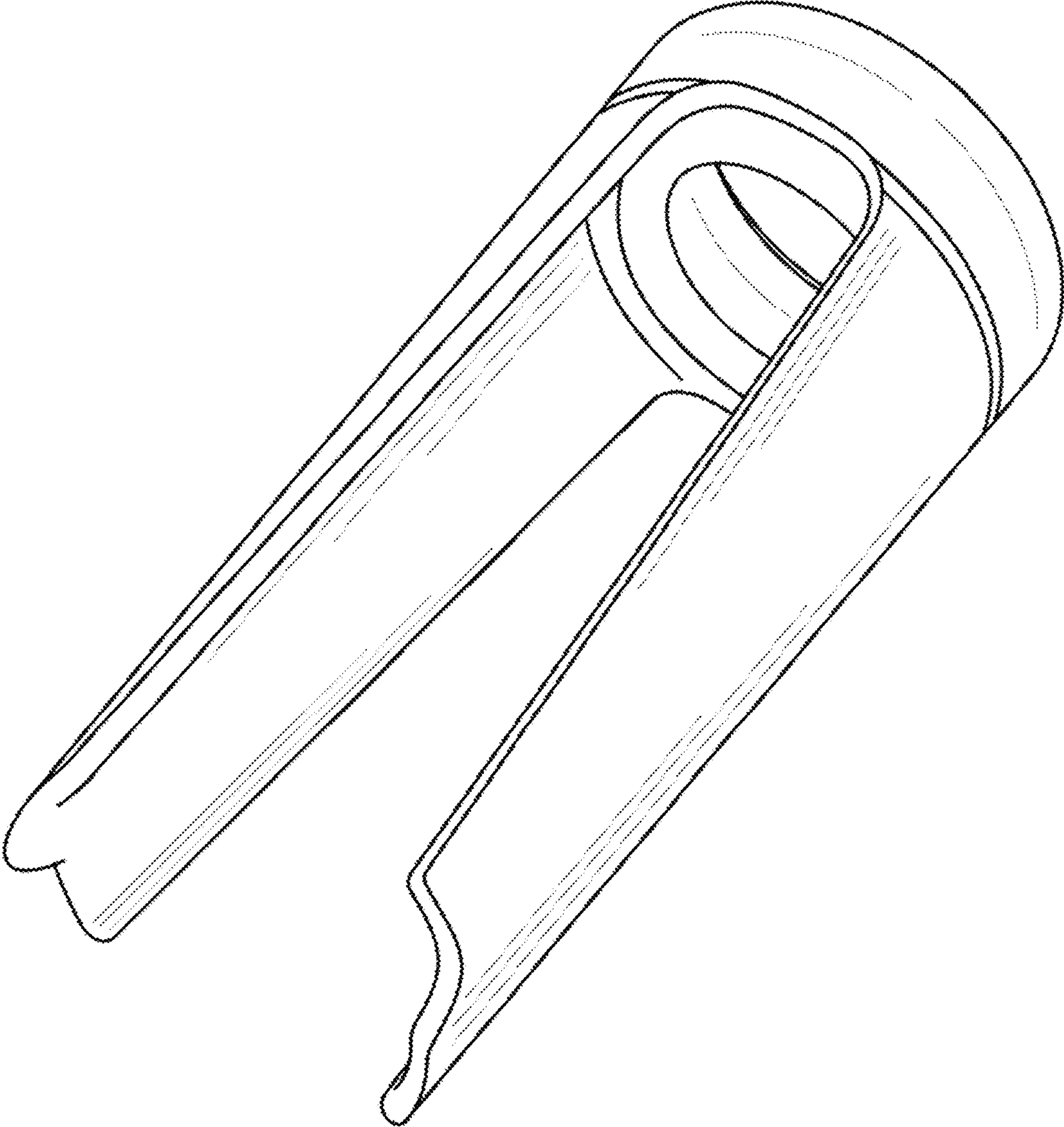


FIG. 1

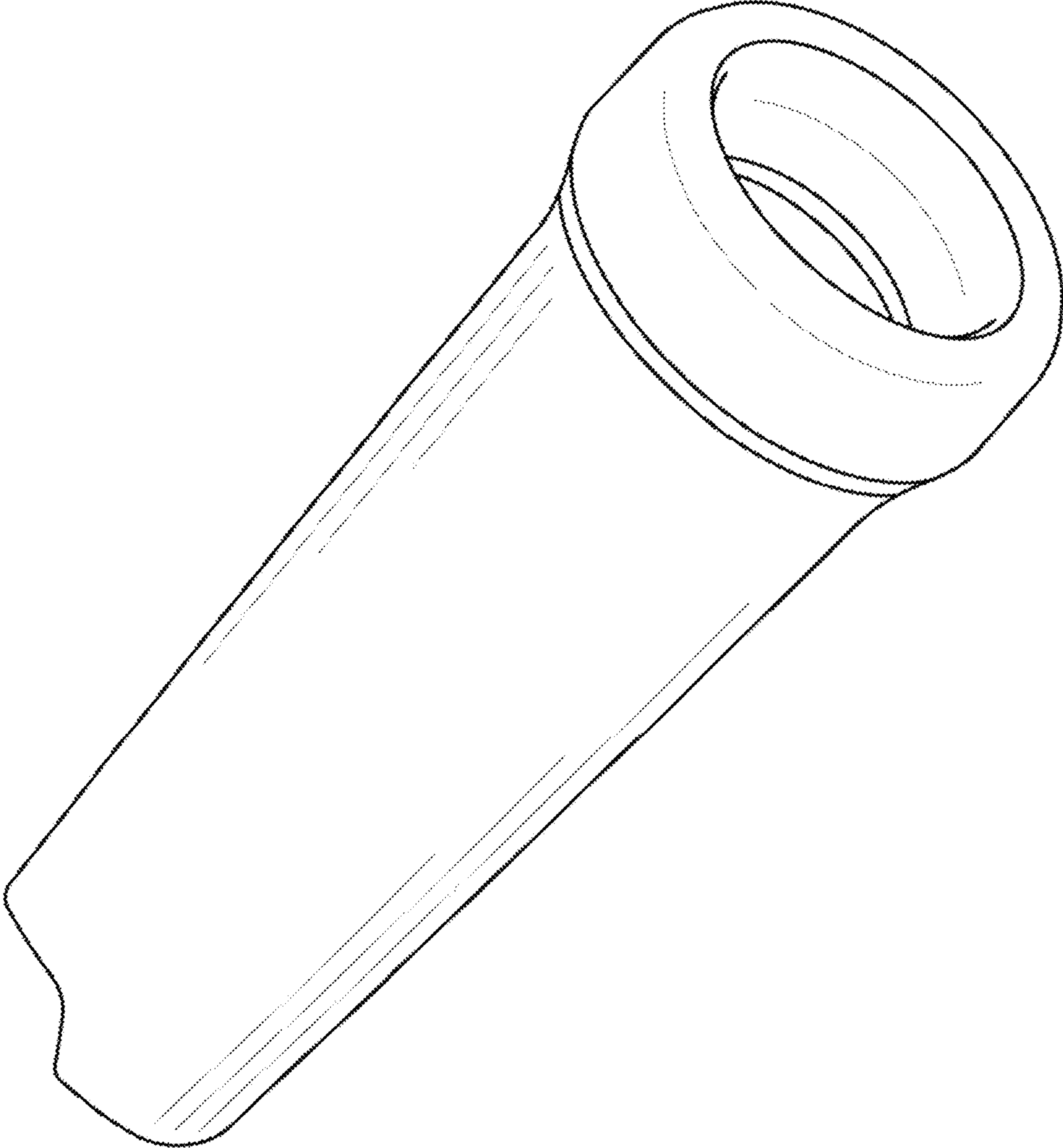


FIG. 2

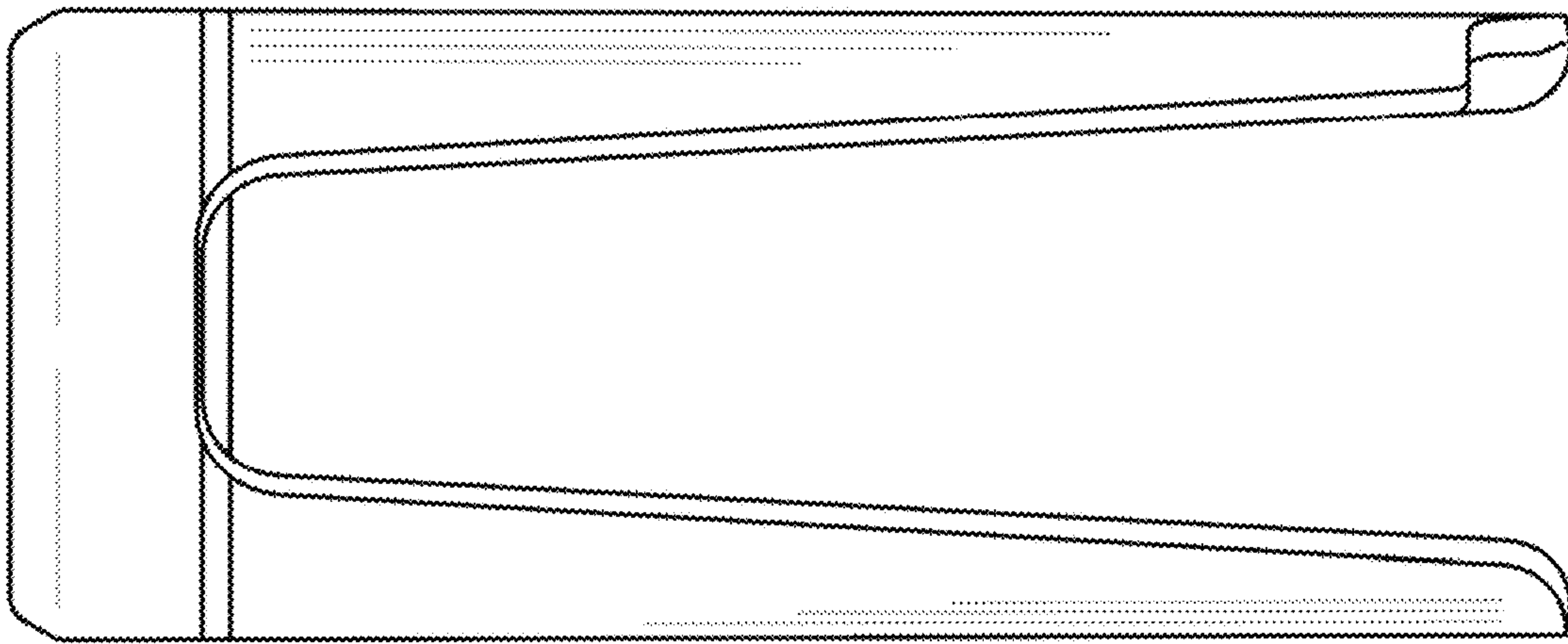


FIG. 3

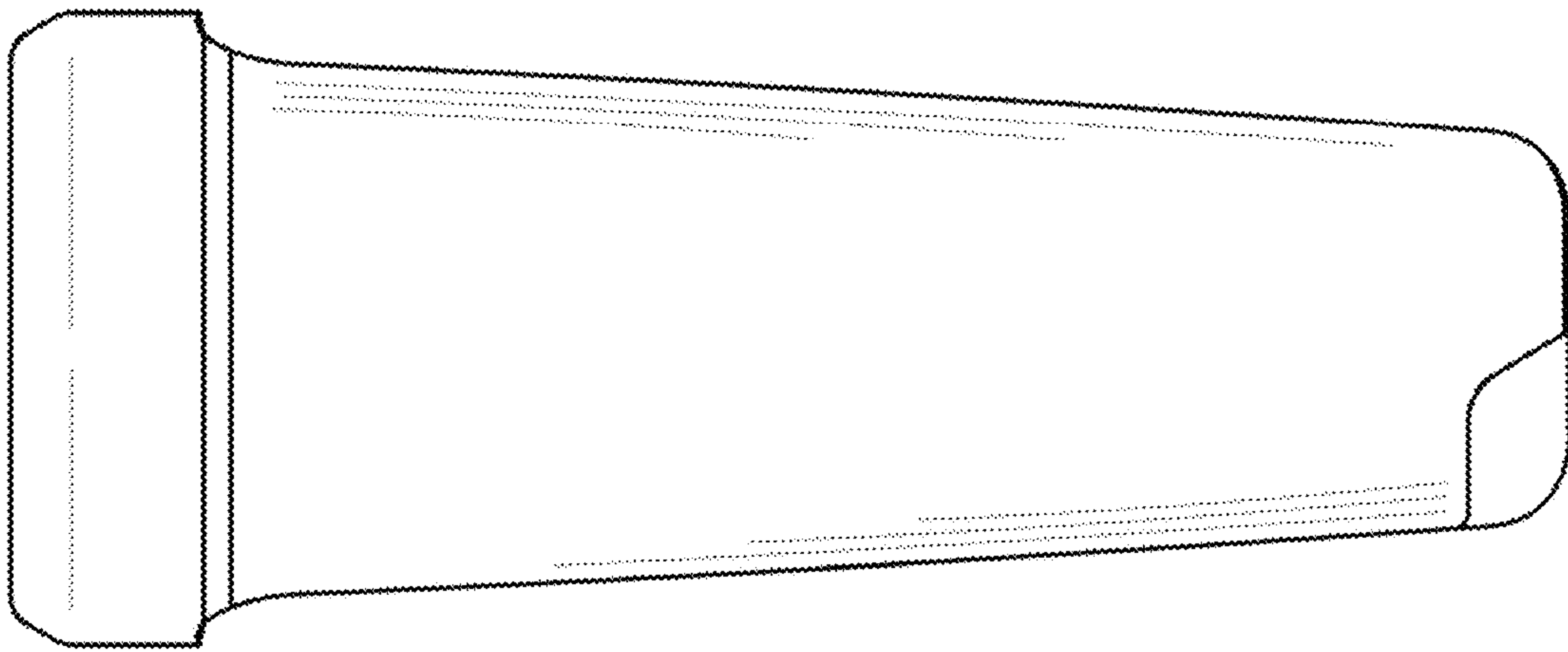


FIG. 4



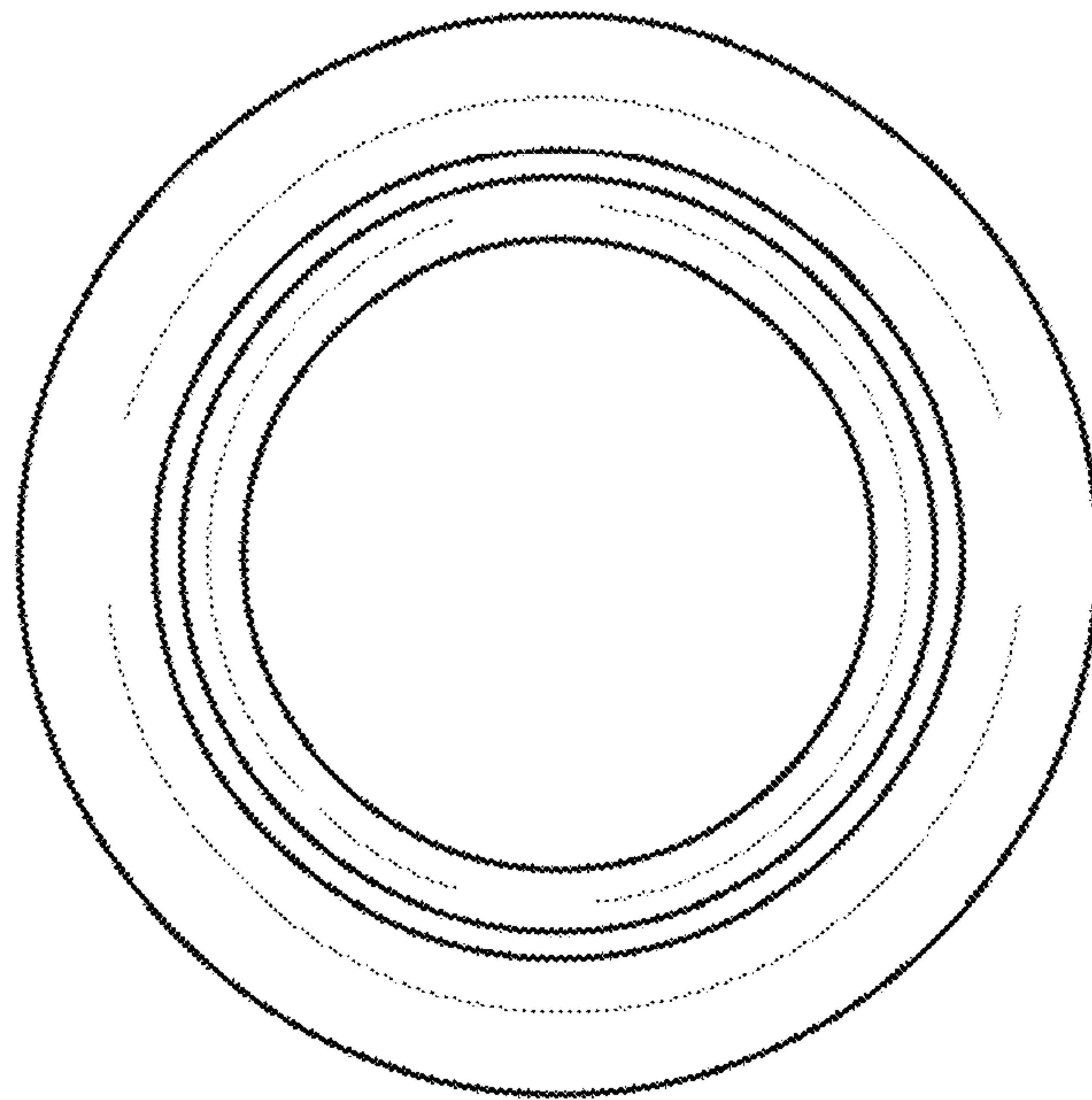


FIG. 5