



US00D827132S

(12) **United States Design Patent** (10) **Patent No.:** **US D827,132 S**
Großer et al. (45) **Date of Patent:** **** Aug. 28, 2018**

(54) **SLEEVE FOR A SYRINGE DEVICE**

(71) Applicant: **Gerresheimer Regensburg GmbH**,
Regensburg (DE)

(72) Inventors: **Jörg Großer**, Lappersdorf (DE); **Udo Leuschner**, Regensburg (DE); **Vojan Vaclav**, Plzen (CZ)

(73) Assignee: **Gerresheimer Regensburg GmbH**,
Regensburg (DE)

(**) Term: **15 Years**

(21) Appl. No.: **29/589,453**

(22) Filed: **Dec. 30, 2016**

(30) **Foreign Application Priority Data**

Jul. 1, 2016 (EM) 003261965-0001

(51) **LOC (11) Cl.** **24-02**

(52) **U.S. Cl.**
USPC **D24/130**

(58) **Field of Classification Search**
USPC D24/112–114, 108, 133, 130, 127, 186;
606/181, 185; 604/264, 272, 187, 181,
604/184, 227
CPC A61M 5/178; A61M 3/00; A61M 5/20;
A61M 5/31; A61M 5/3146; A61M
5/3129; A61M 5/3148; A61M 5/315
See application file for complete search history.

(56) **References Cited**

U.S. PATENT DOCUMENTS

D594,117 S * 6/2009 Patzer D24/129
D642,261 S * 7/2011 York D24/130

D655,001 S * 2/2012 Becker D24/130
D751,699 S * 3/2016 Mills D24/127
D758,568 S * 6/2016 Wohlfahrt D24/113
D760,385 S * 6/2016 McKee D24/128
D760,893 S * 7/2016 Honda D24/130
D789,528 S * 6/2017 Wohlfahrt D24/130
D797,281 S * 9/2017 Ohashi D24/130
D802,748 S * 11/2017 Mills D24/112
D808,518 S * 1/2018 Bureau D24/112
9,867,940 B2 * 1/2018 Holmqvist A61M 5/20
D809,656 S * 2/2018 Lau D24/129

* cited by examiner

Primary Examiner — David Muller

(74) *Attorney, Agent, or Firm* — Lowe Graham Jones
PLLC

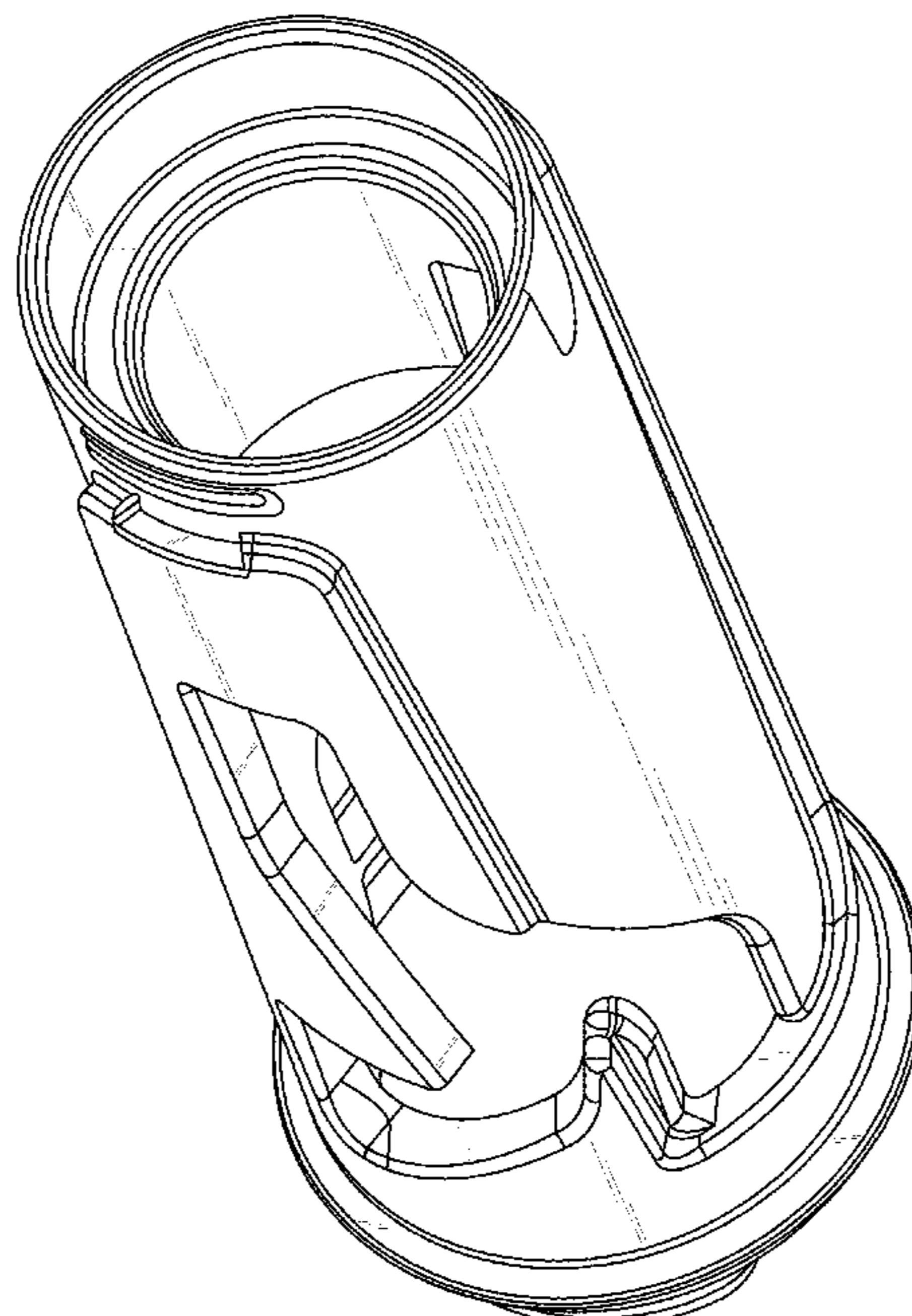
(57) **CLAIM**

We claim the ornamental design for a sleeve for a syringe device, as shown and described.

DESCRIPTION

FIG. 1 is a perspective view at an angle from the front of the sleeve for a syringe device.
FIG. 2 is a perspective view at an angle from the rear of the sleeve for the syringe device.
FIG. 3 is a side view of the sleeve for the syringe device.
FIG. 4 is a side view rotated by 90° compared to FIG. 3 of the sleeve for the syringe device.
FIG. 5 is a front view of the sleeve for the syringe device; and,
FIG. 6 is a rear view of the sleeve for the syringe device.

1 Claim, 6 Drawing Sheets



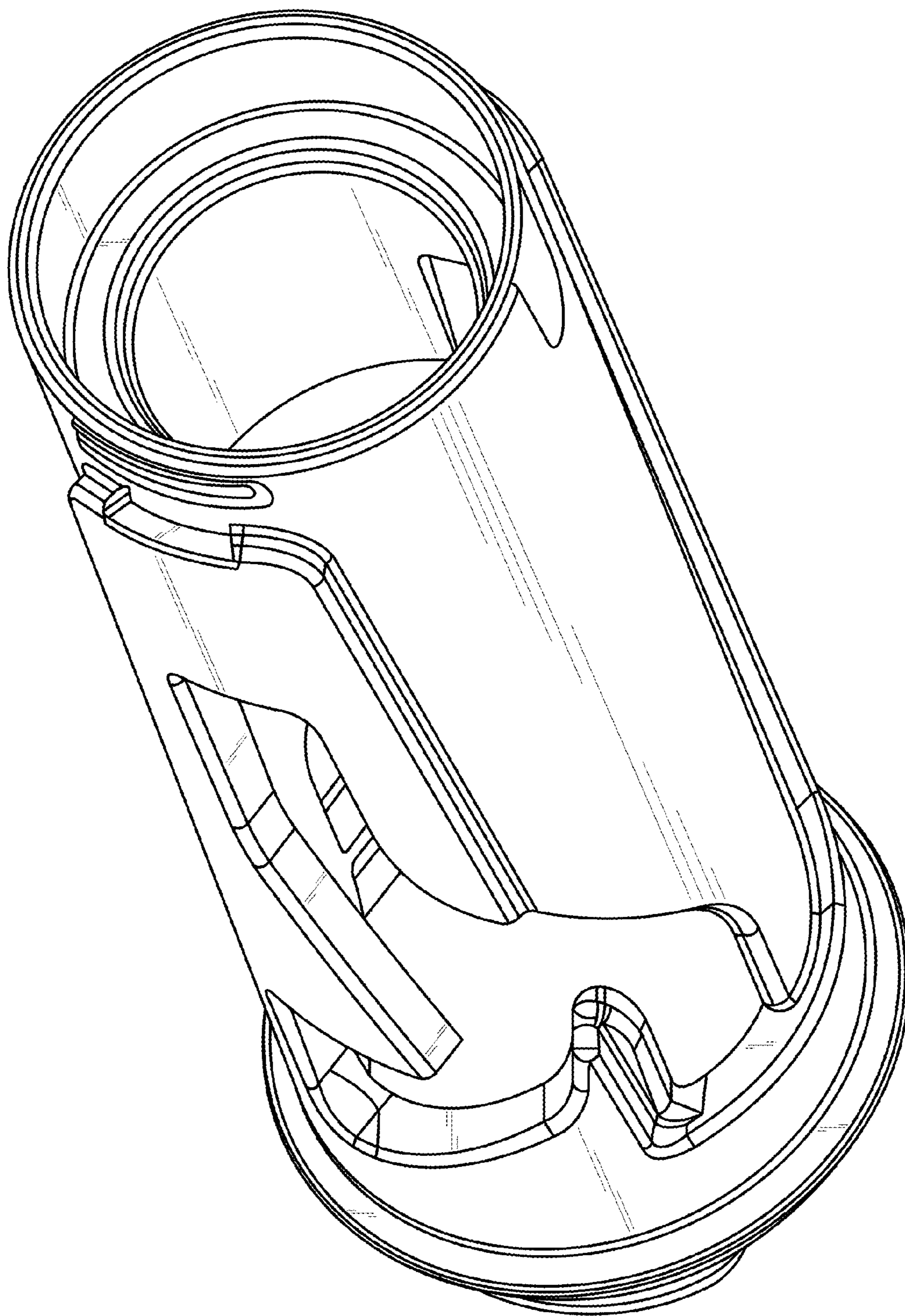


FIG. 1

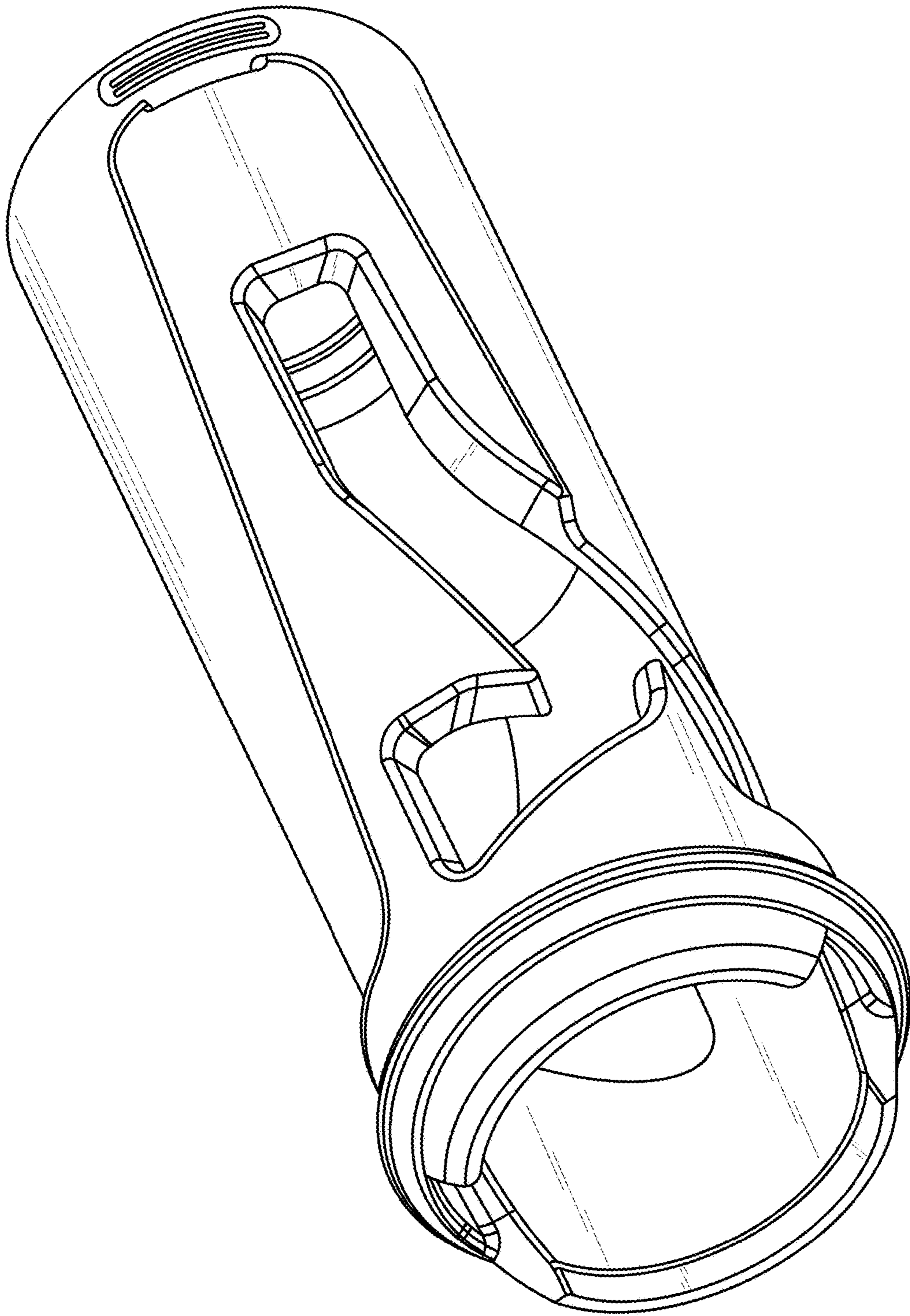


FIG. 2

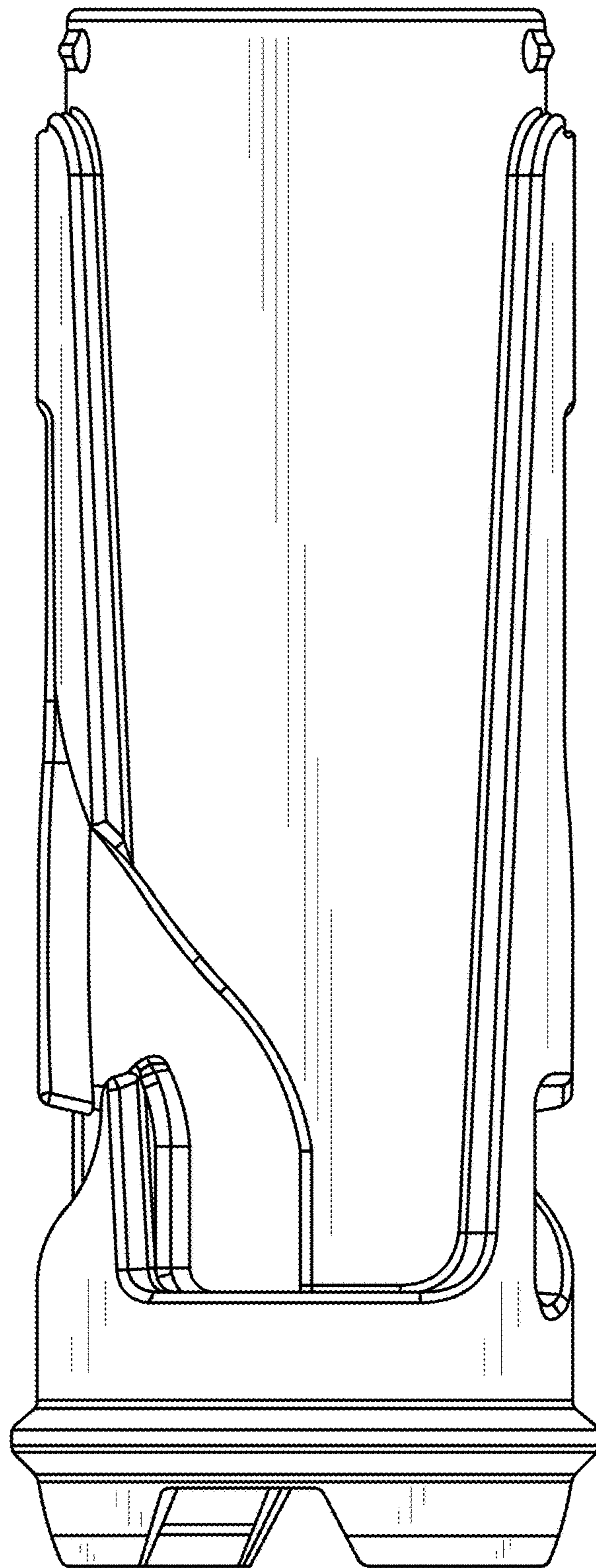


FIG. 3

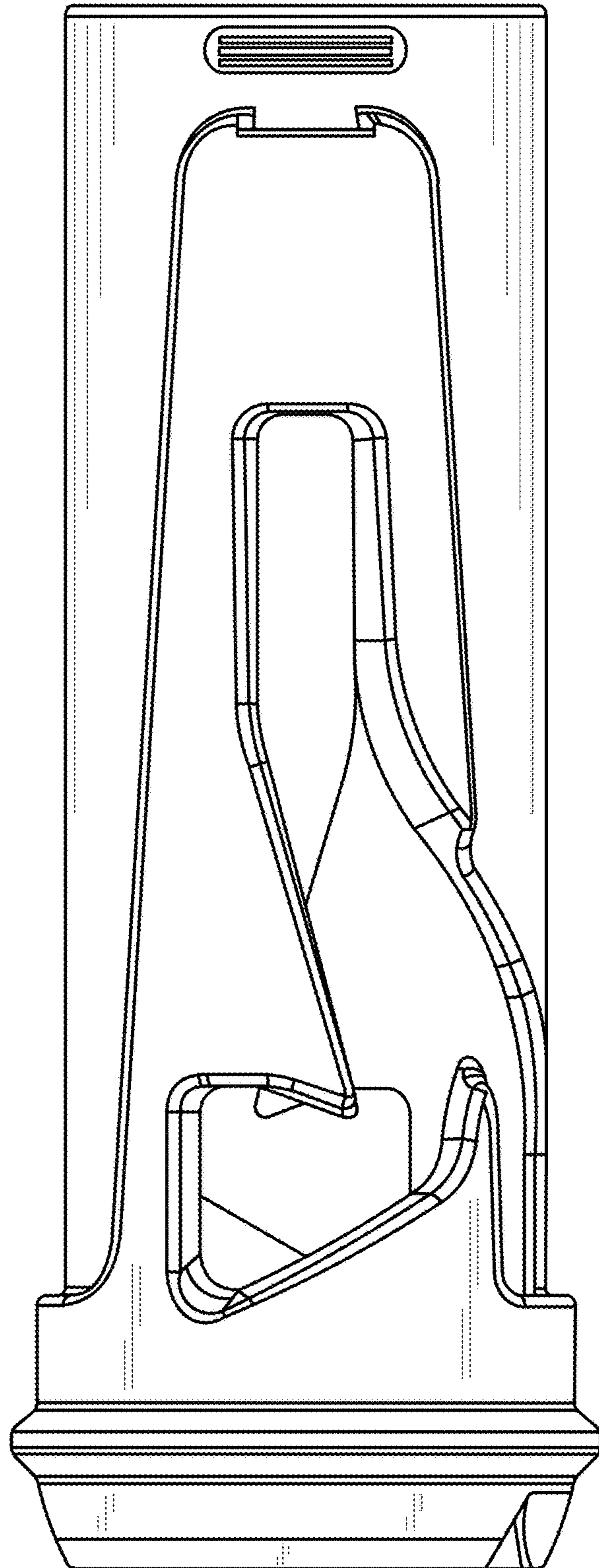


FIG. 4

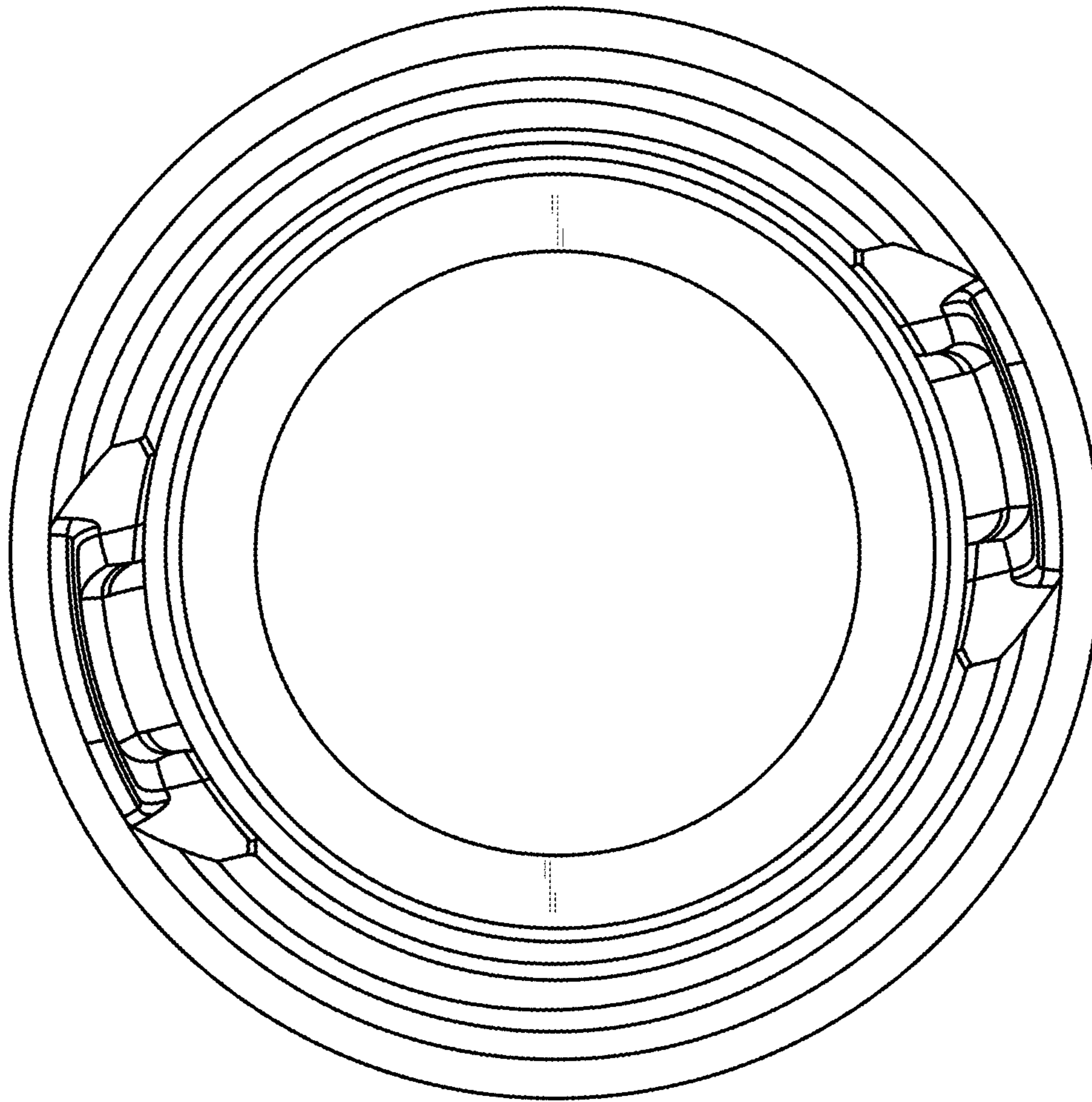


FIG. 5

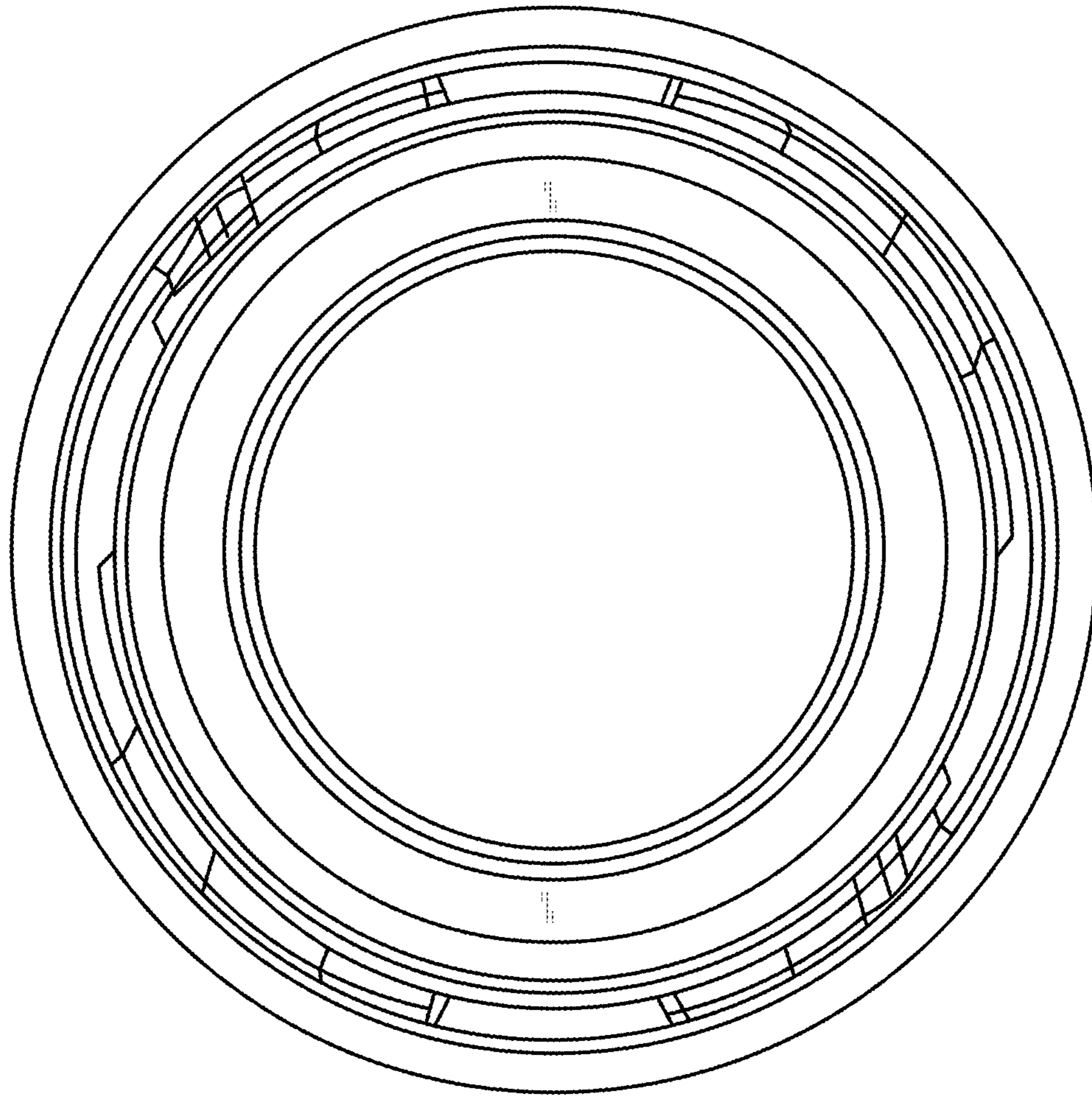


FIG. 6