



US00D827130S

(12) **United States Design Patent** (10) **Patent No.:** **US D827,130 S**
Penttilä (45) **Date of Patent:** **** Aug. 28, 2018**

(54) **BOTTOM CAP**

(71) Applicant: **Teemu Penttilä**, Aura kk (FI)

(72) Inventor: **Teemu Penttilä**, Aura kk (FI)

(73) Assignee: **OY MEDIX BIOCHEMICA AB**, Espoo (FI)

(**) Term: **15 Years**

(21) Appl. No.: **29/559,509**

(22) Filed: **Mar. 29, 2016**

(30) **Foreign Application Priority Data**

Sep. 29, 2015 (EM) 002802884-0006

(51) **LOC (11) Cl.** **24-02**

(52) **U.S. Cl.**
USPC **D24/129; D9/454; D24/130**

(58) **Field of Classification Search**
USPC D9/428, 429, 434, 435, 442, 443, D9/445-450, 453-456, 499, 682, 684, D9/685, 726; D7/387, 388, 392, 392.1, D7/393, 396.2, 396.3, 396.4, 401.1, 408, D7/504, 507, 509-511, 538, 900; D3/202, 203.2, 318; D28/91.1; D24/130, D24/129

CPC .. A61J 1/00; A61J 1/1412; B65D 1/00; B65D 1/02; B65D 1/10; B65D 1/46; B65D 2585/56; B65D 2585/545; B65D 41/00; B65D 41/38; B65D 41/56; B65D 41/62; B65D 47/00; B65D 47/06; B65D 47/08; B65D 2543/00046; B65D 2543/00092;

(Continued)

(56) **References Cited**

U.S. PATENT DOCUMENTS

D188,087 S * 5/1960 Rowell D23/260
3,323,692 A * 6/1967 Cook B65D 47/2062
222/422
D215,945 S * 11/1969 La Fara D6/518

(Continued)

Primary Examiner — Michael A. Pratt
Assistant Examiner — Wendy L Arminio
(74) *Attorney, Agent, or Firm* — Thompson Hine LLP

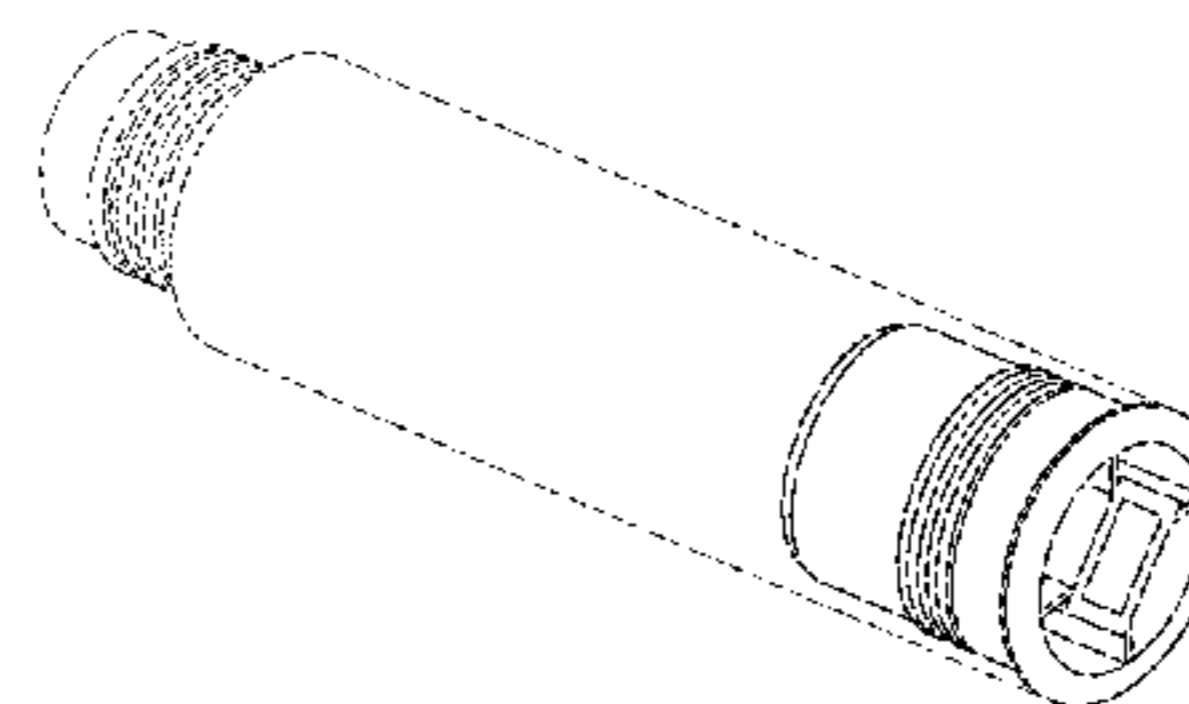
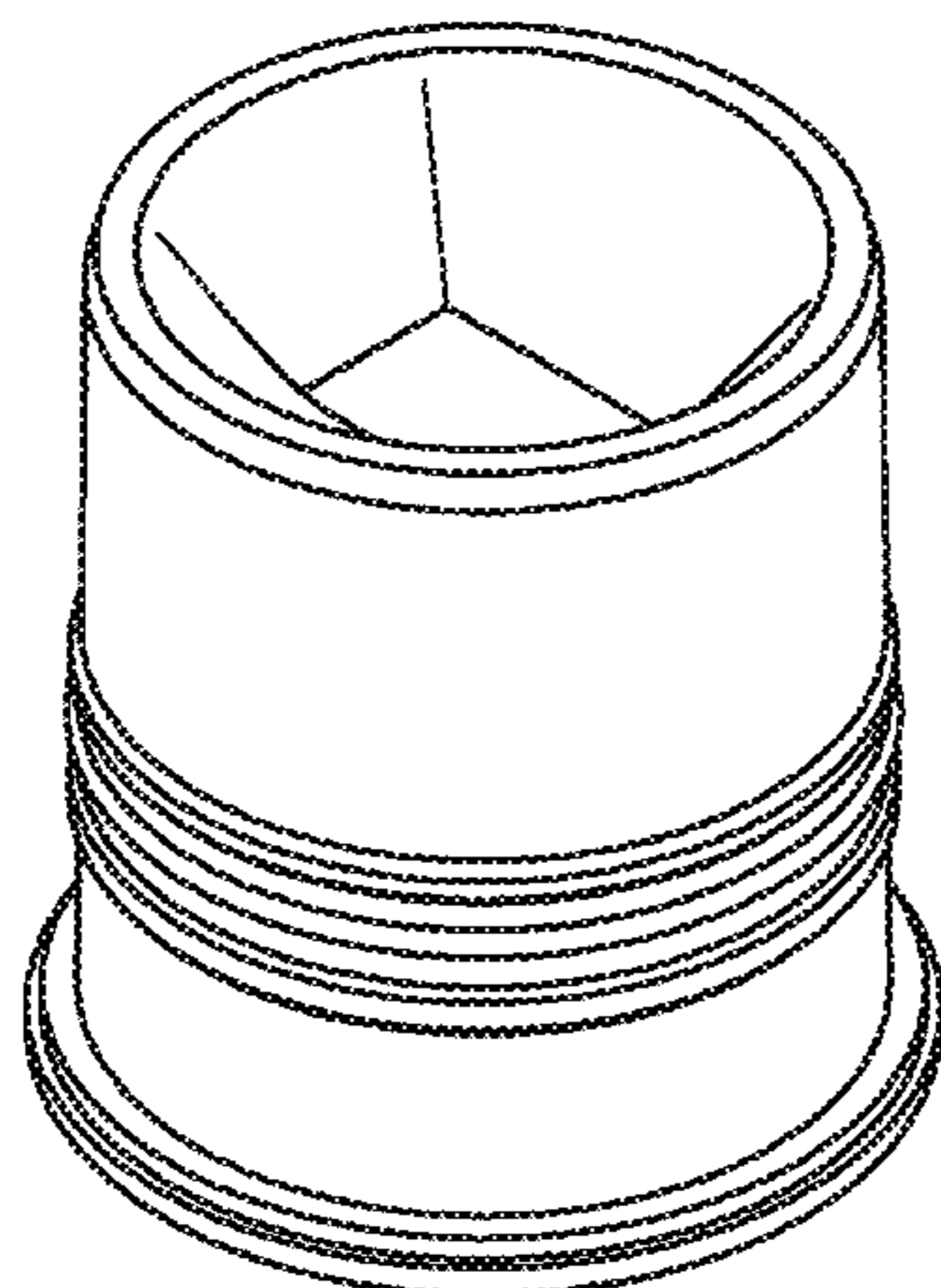
(57) **CLAIM**

The ornamental design for a bottom cap, as shown and described.

DESCRIPTION

FIG. 1 is an elevated perspective view of a first side of a bottom cap;
FIG. 2 is a top view of the design of FIG. 1;
FIG. 3 is an elevated perspective view of a second side of the design;
FIG. 4 is a back view of the design of FIG. 1;
FIG. 5 is a side view of the first side of the design of FIG. 1;
FIG. 6 is a front view of the design shown in FIG. 1;
FIG. 7 is a cross sectional view taken in the direction of line 7-7 shown in FIG. 2;
FIG. 8 is a side view of the second side of the design of FIG. 1;
FIG. 9 is a cross sectional view taken in the direction of line 9-9 shown in FIG. 2;
FIG. 10 is bottom perspective view of the first side of the design of FIG. 1;
FIG. 11 is a bottom view of the design of FIG. 1;
FIG. 12 is a bottom perspective view of the second side of the design of FIG. 1;
FIG. 13 is an exploded elevated perspective view of the bottom cap of FIG. 1 showing a manner of assembly with an unclaimed tube; and,
FIG. 14 is an elevated perspective view of the bottom cap of FIG. 1 shown in a position of use inside an unclaimed tube. The broken lines illustrating a tube depict environment and form no part of the claimed design.

1 Claim, 13 Drawing Sheets



(58) **Field of Classification Search**

CPC B65D 2543/00296; B65D 5/46; B65D
2251/00

See application file for complete search history.

(56) **References Cited**

U.S. PATENT DOCUMENTS

D328,033 S * 7/1992 DiGuseppi D9/435
D347,894 S * 6/1994 Hansen D24/114
D367,408 S * 2/1996 Fordyce D19/77
5,529,216 A * 6/1996 Klima B05B 11/0056
222/130
D371,513 S * 7/1996 Scudder D9/434
D414,415 S * 9/1999 Klima, Jr. D9/448
D425,420 S * 5/2000 Klima, Jr. D9/448
D434,322 S * 11/2000 Klima, Jr. D9/448
D446,116 S * 8/2001 Nytko D9/428
6,460,701 B1 * 10/2002 Nytko B65D 1/0246
206/349
D480,477 S * 10/2003 Bush D24/130
D480,640 S * 10/2003 Oyama D24/129
D485,285 S * 1/2004 Kramer D15/143
D581,048 S * 11/2008 Kawamura D24/130
D584,407 S * 1/2009 Kawamura D24/130
D634,440 S 3/2011 Svärd
D704,554 S * 5/2014 Baird D9/435
D712,738 S * 9/2014 Clark D9/435
D779,942 S * 2/2017 Saussaye D9/454
2008/0035642 A1 * 2/2008 Esser B01L 3/5082
220/315
2016/0228333 A1 * 8/2016 Bukstein A61J 7/0076

* cited by examiner

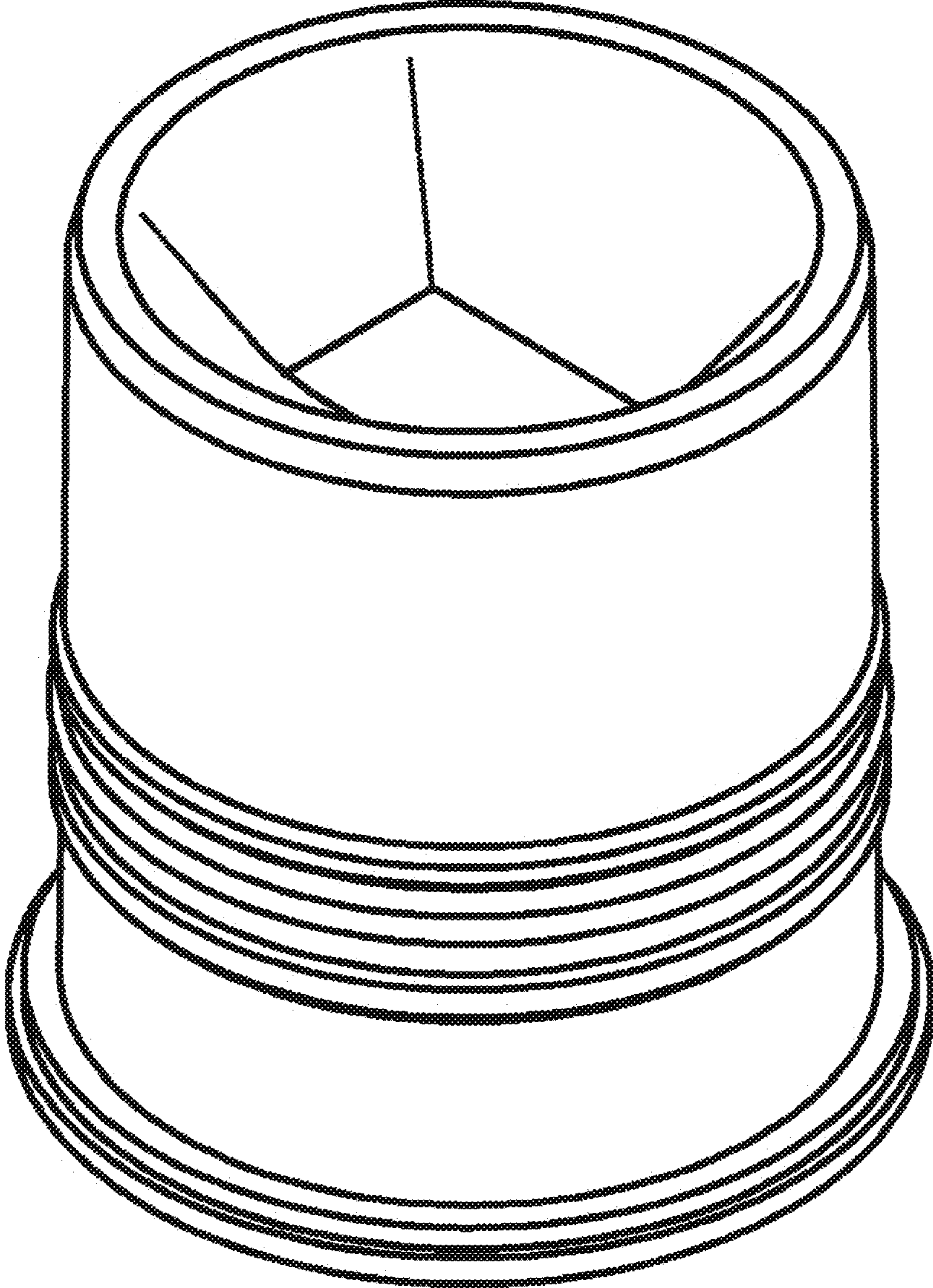


Fig. 1

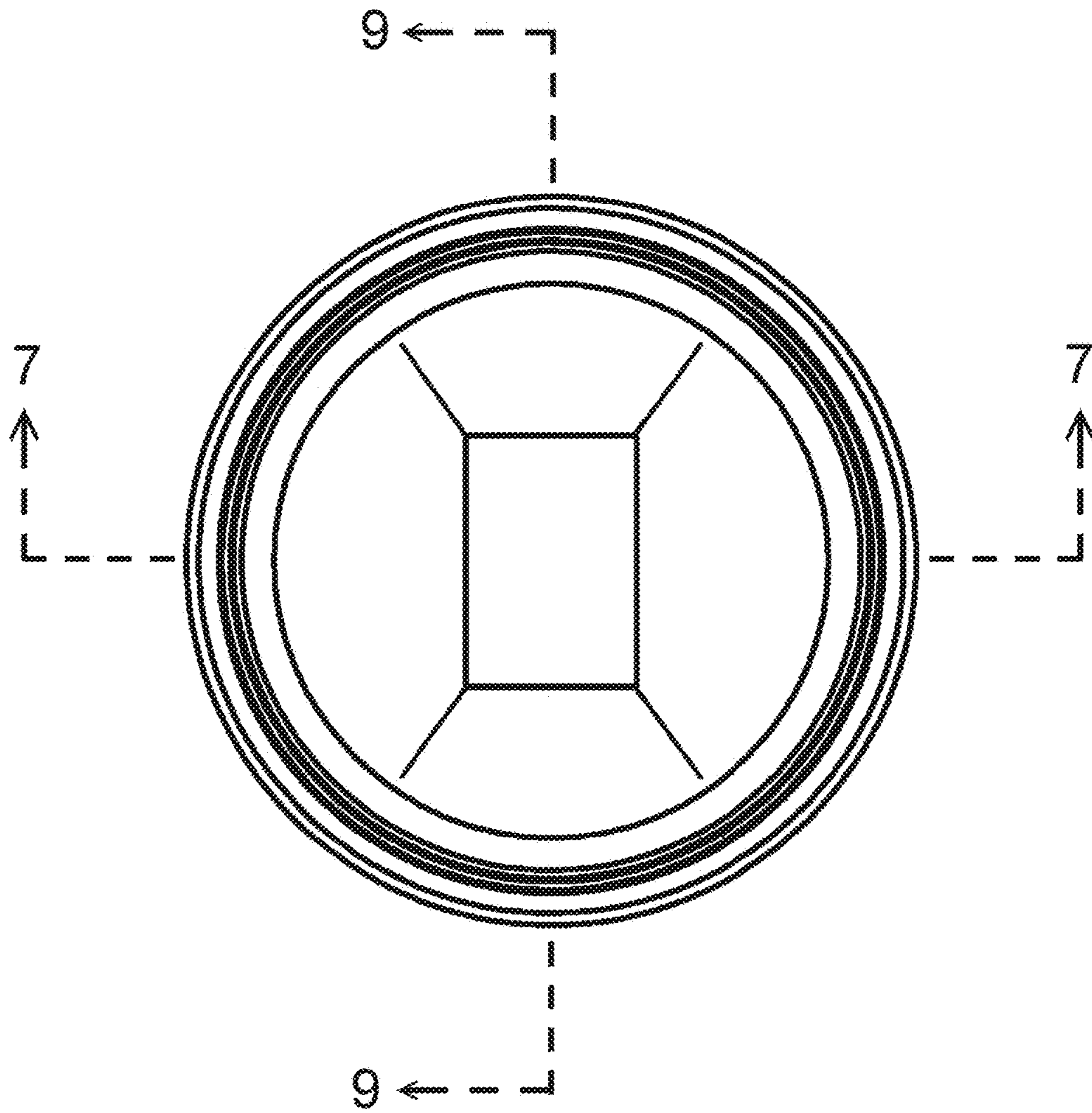


Fig. 2

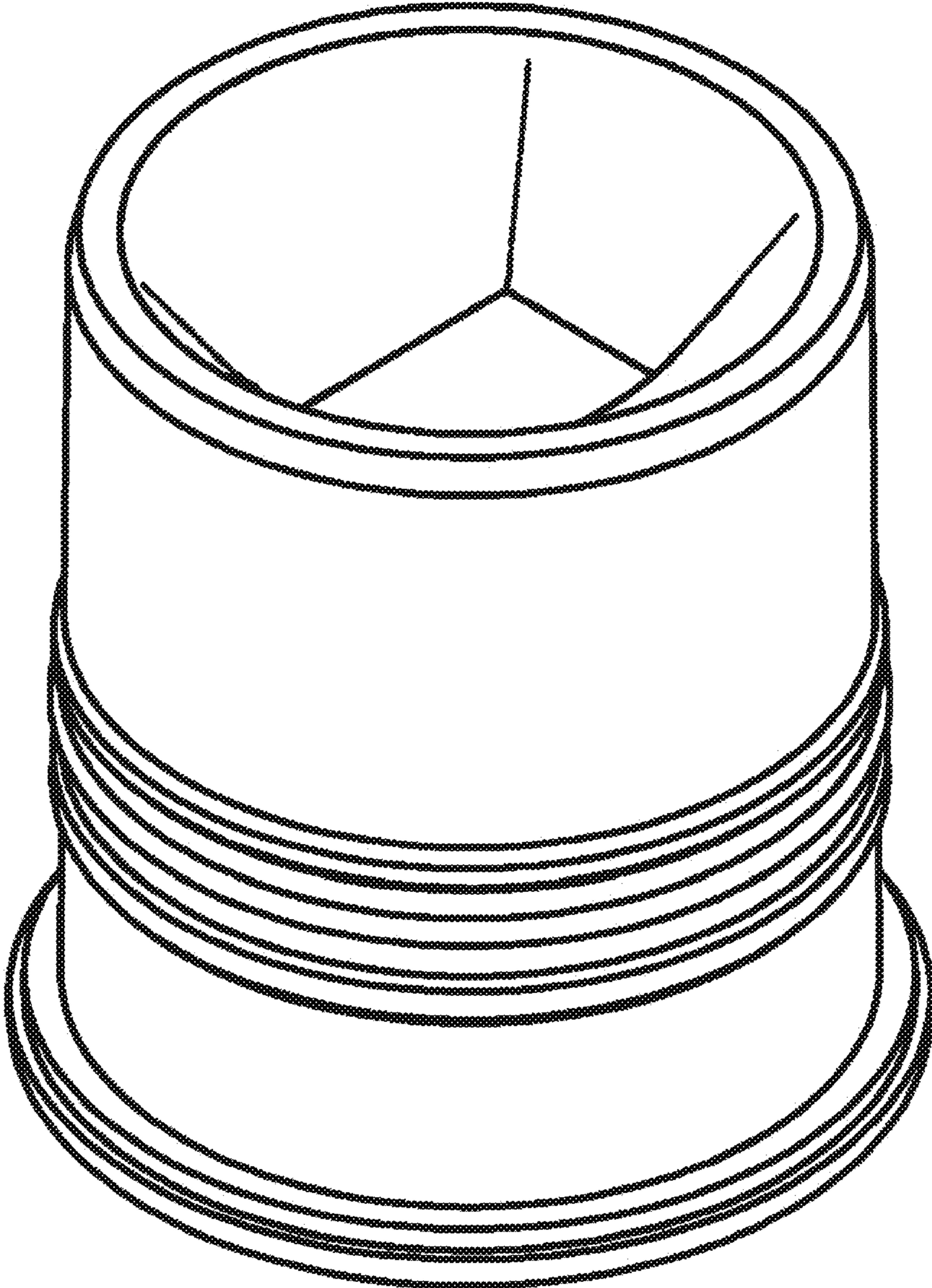


Fig. 3

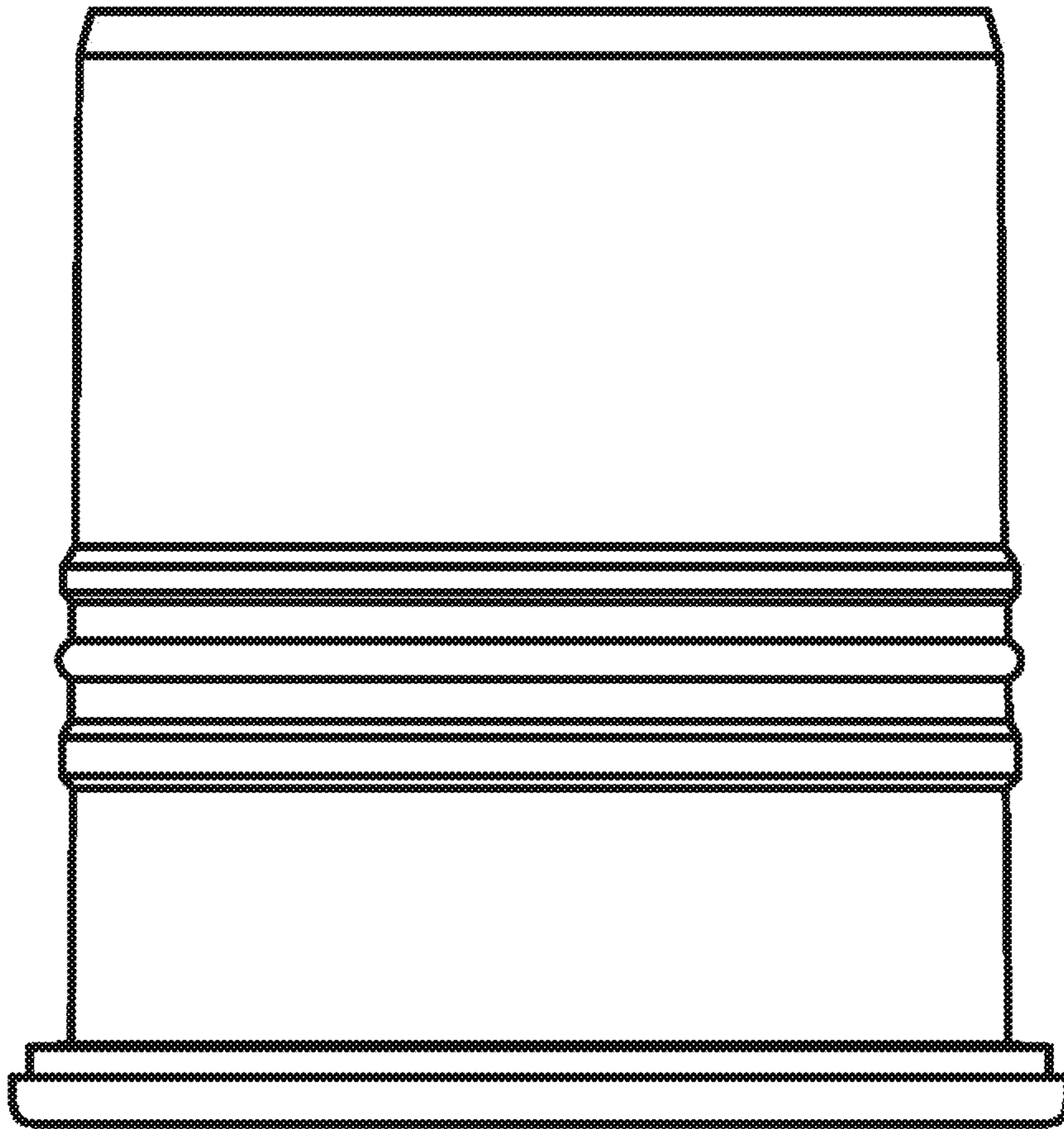


Fig. 4

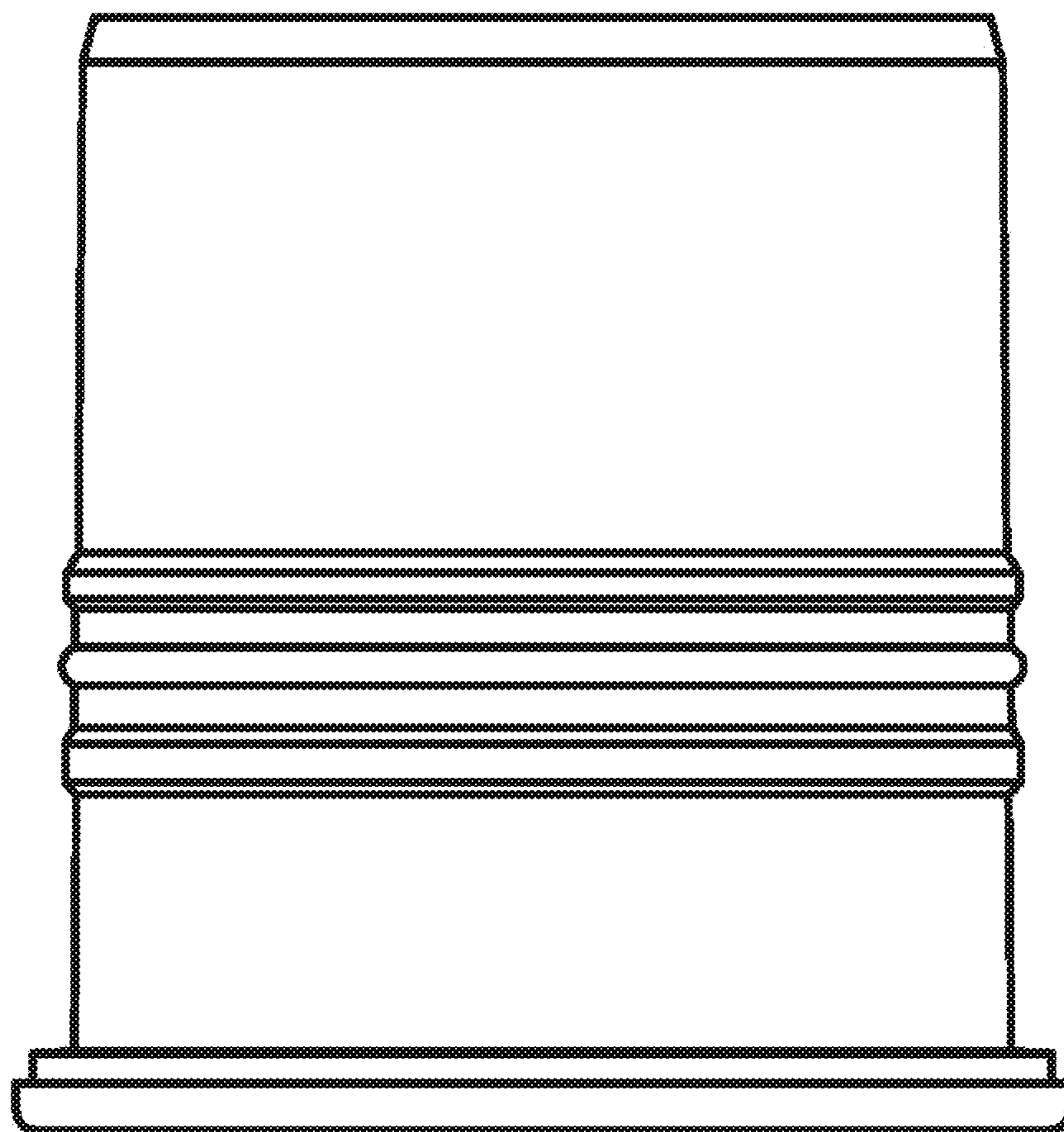


Fig. 5

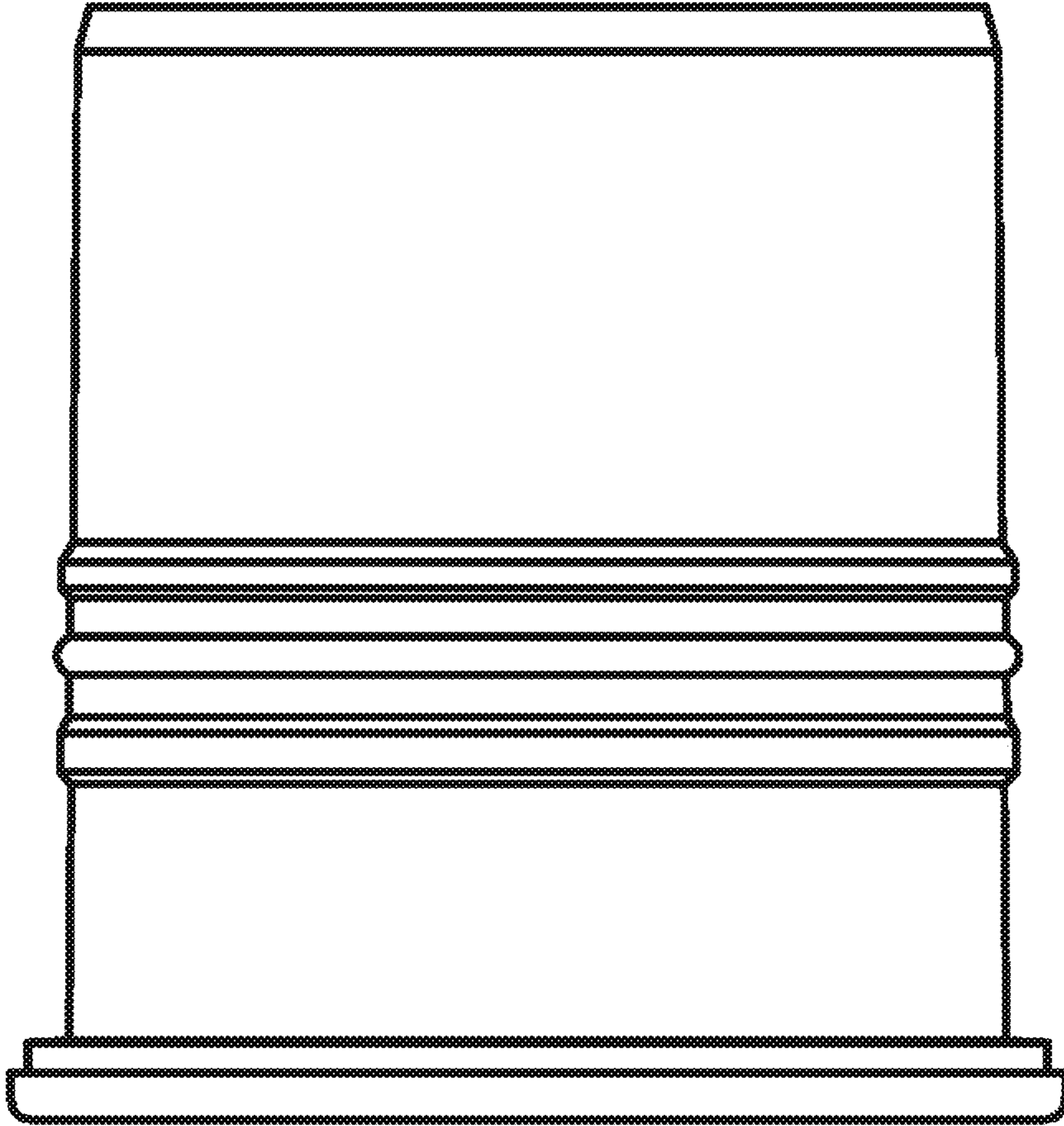


Fig. 6

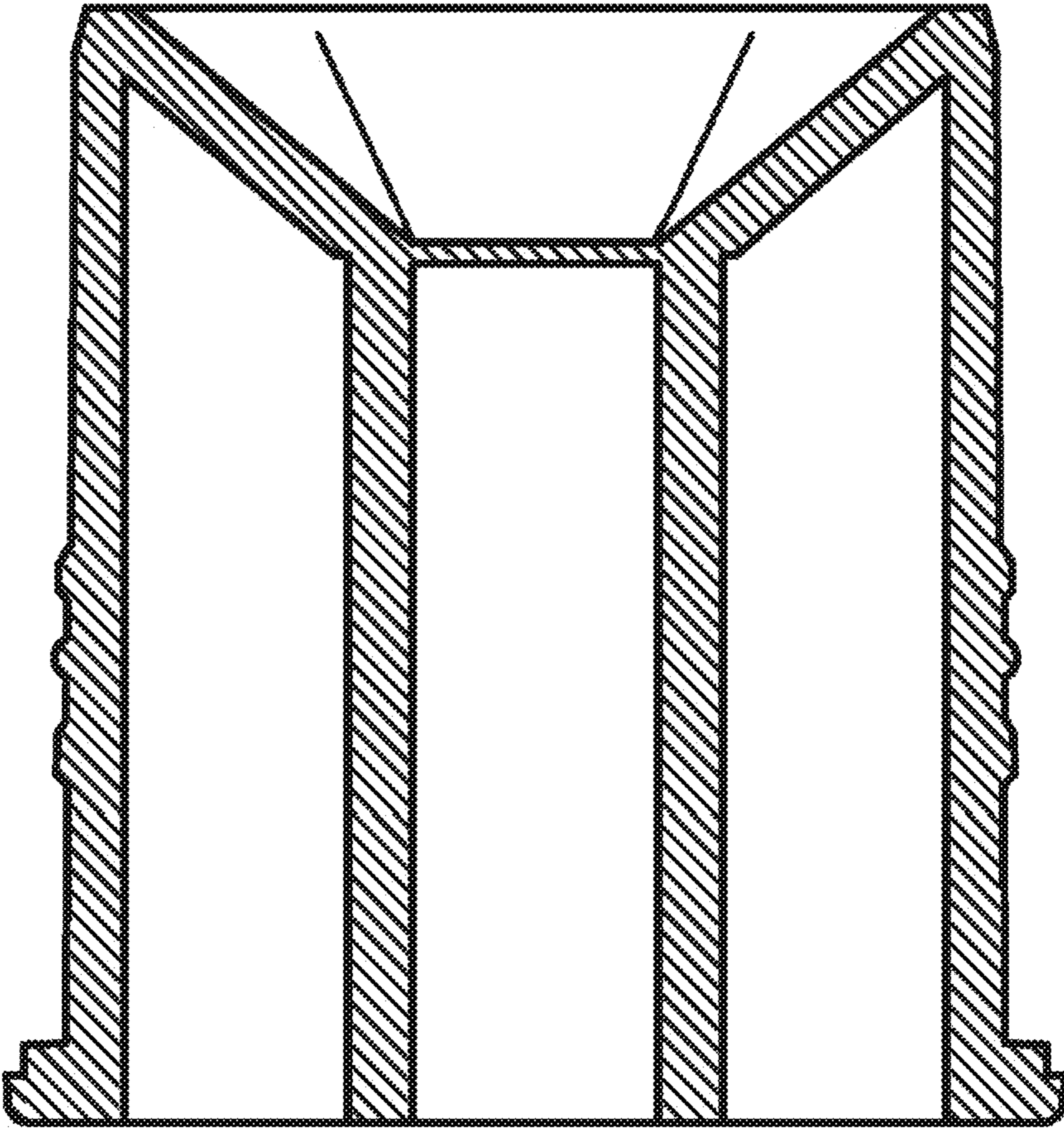


Fig. 7

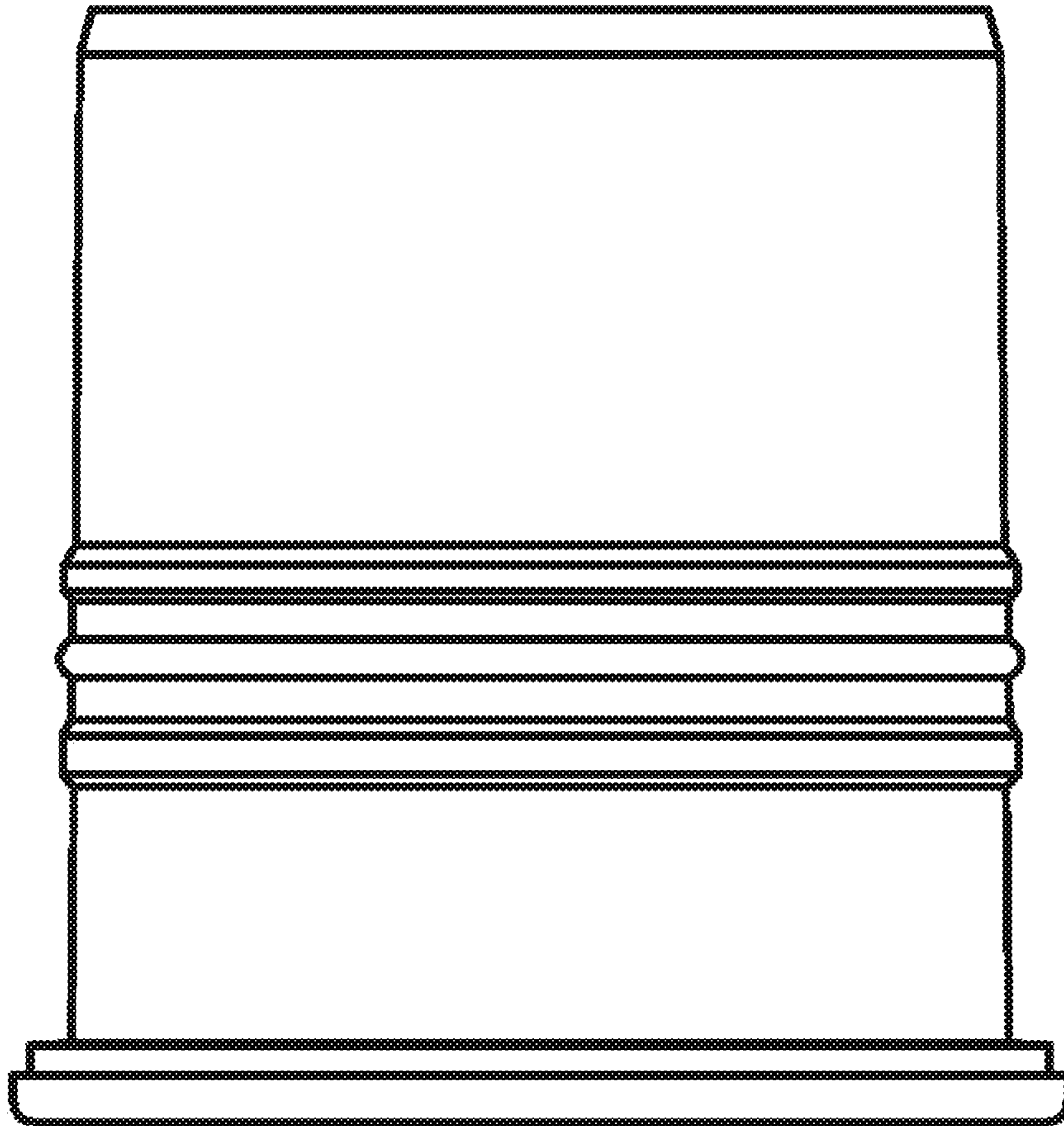


Fig. 8

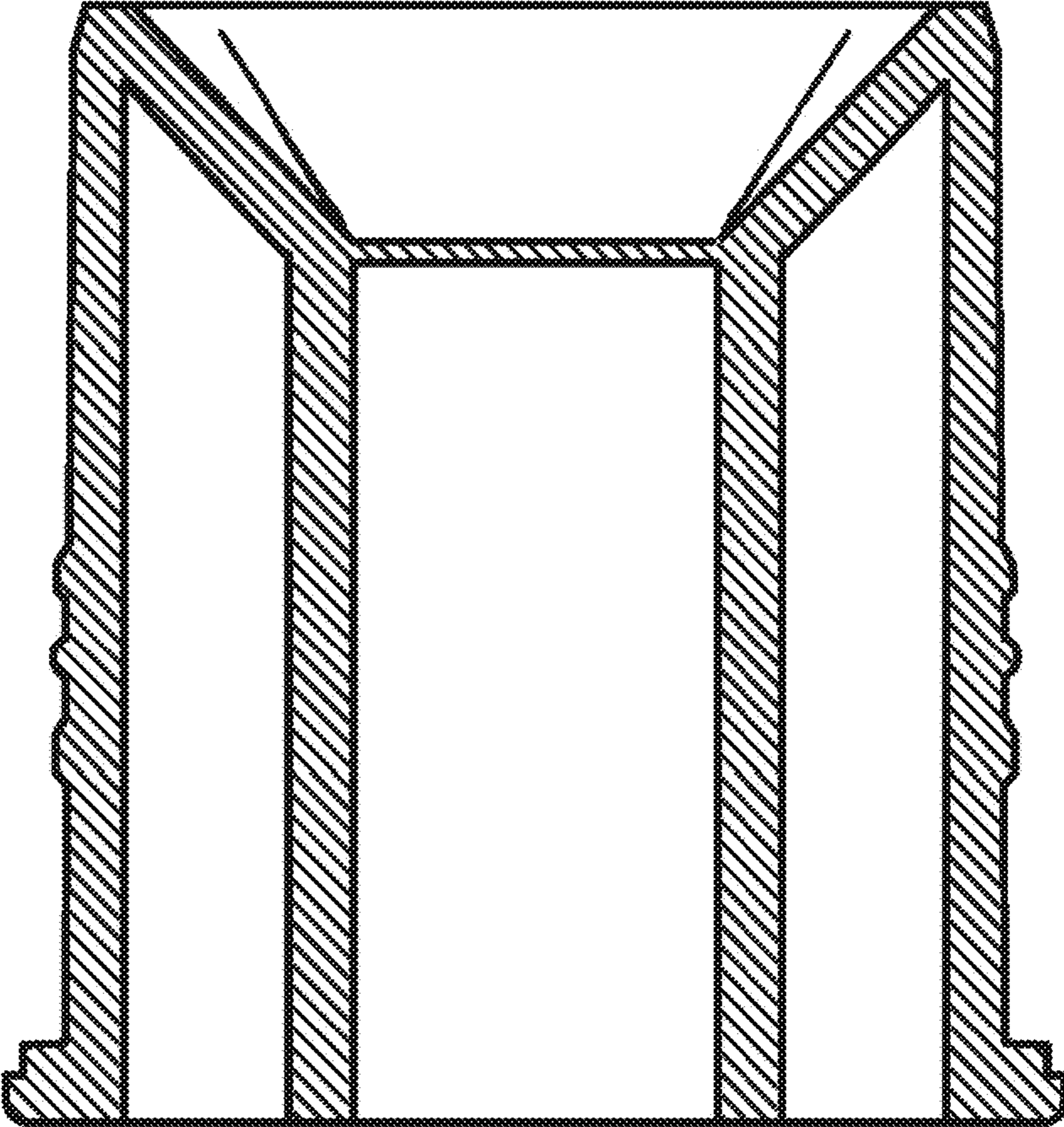


Fig. 9

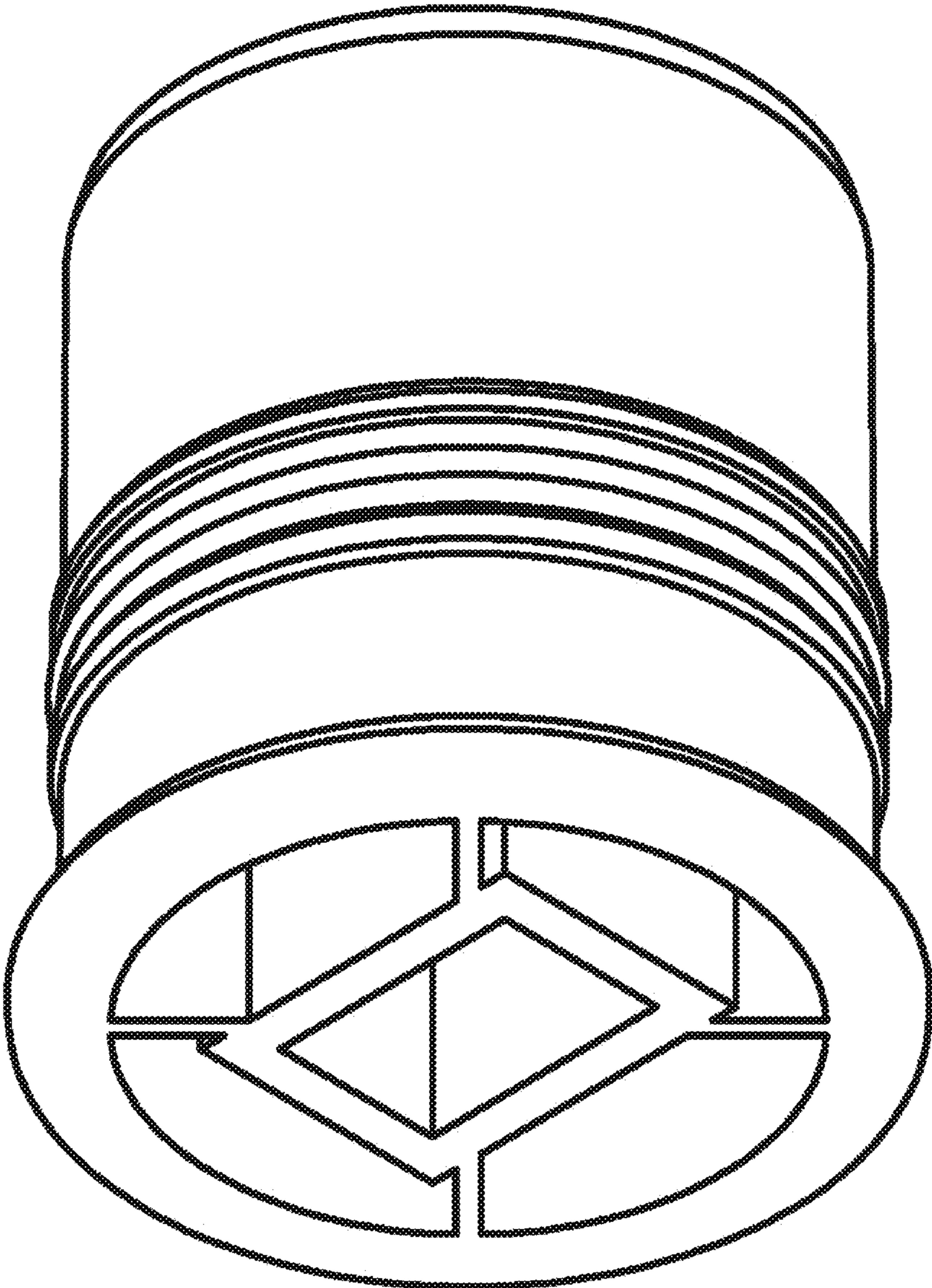


Fig. 10

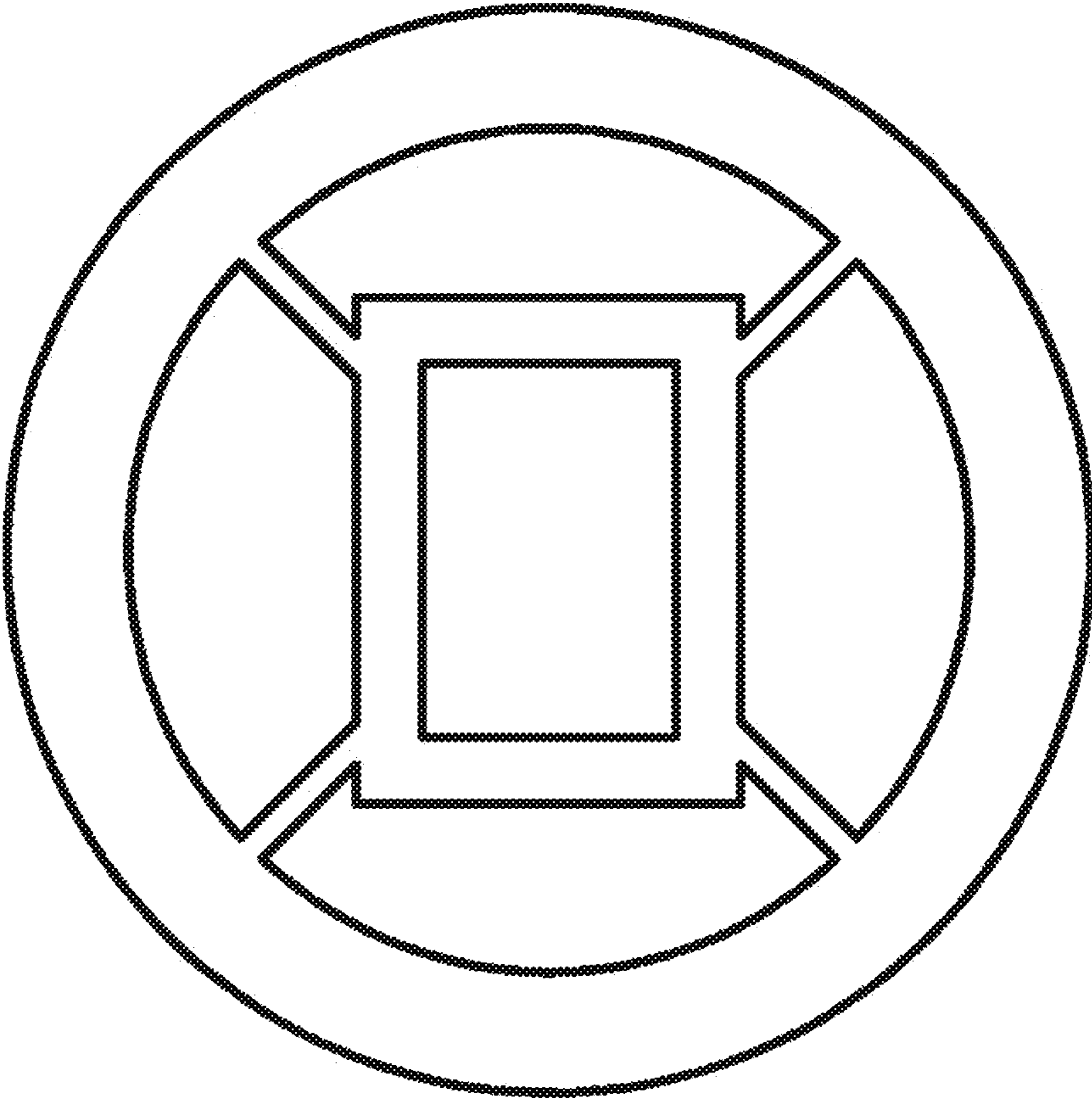


Fig. 11

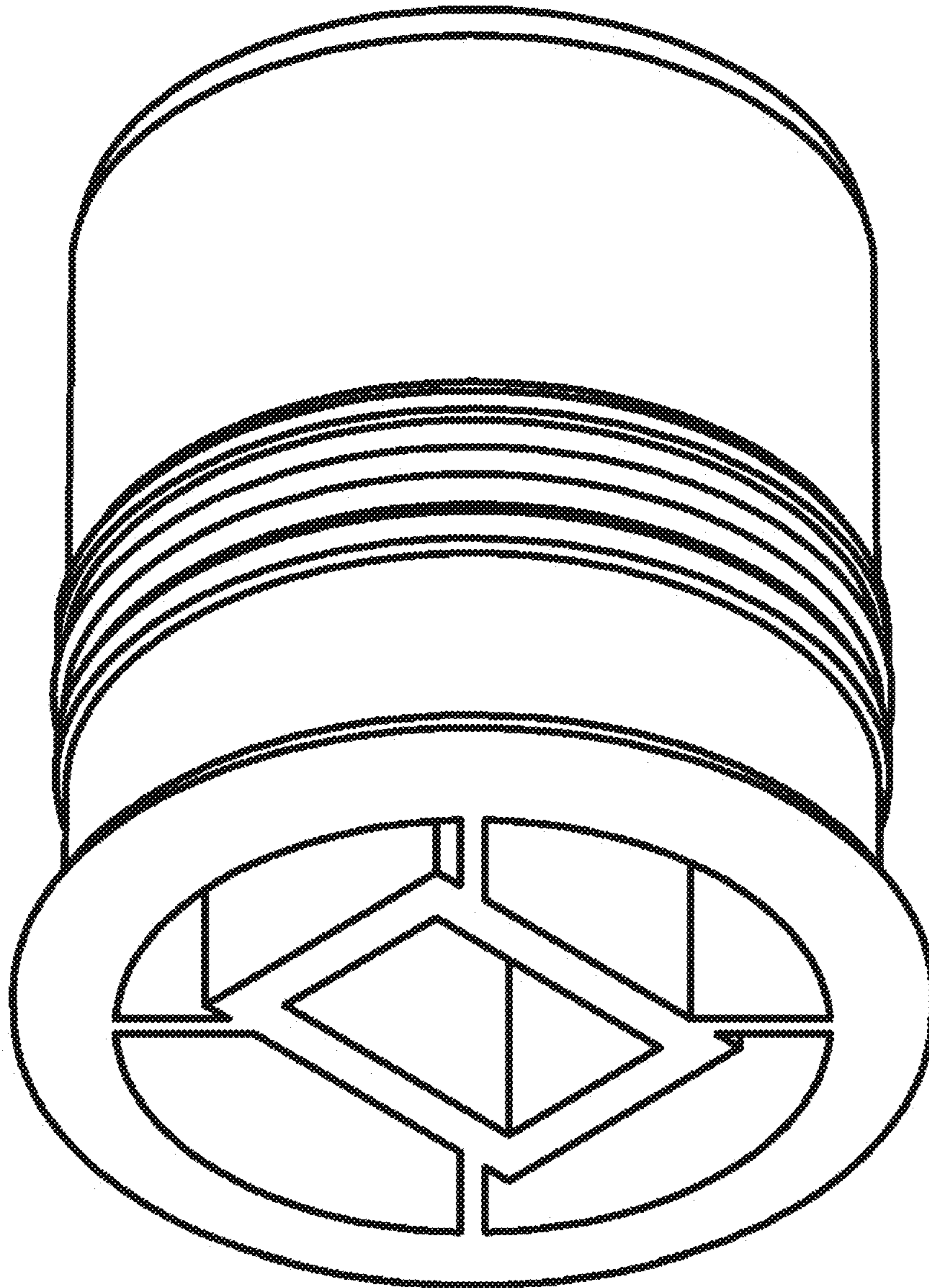


Fig. 12

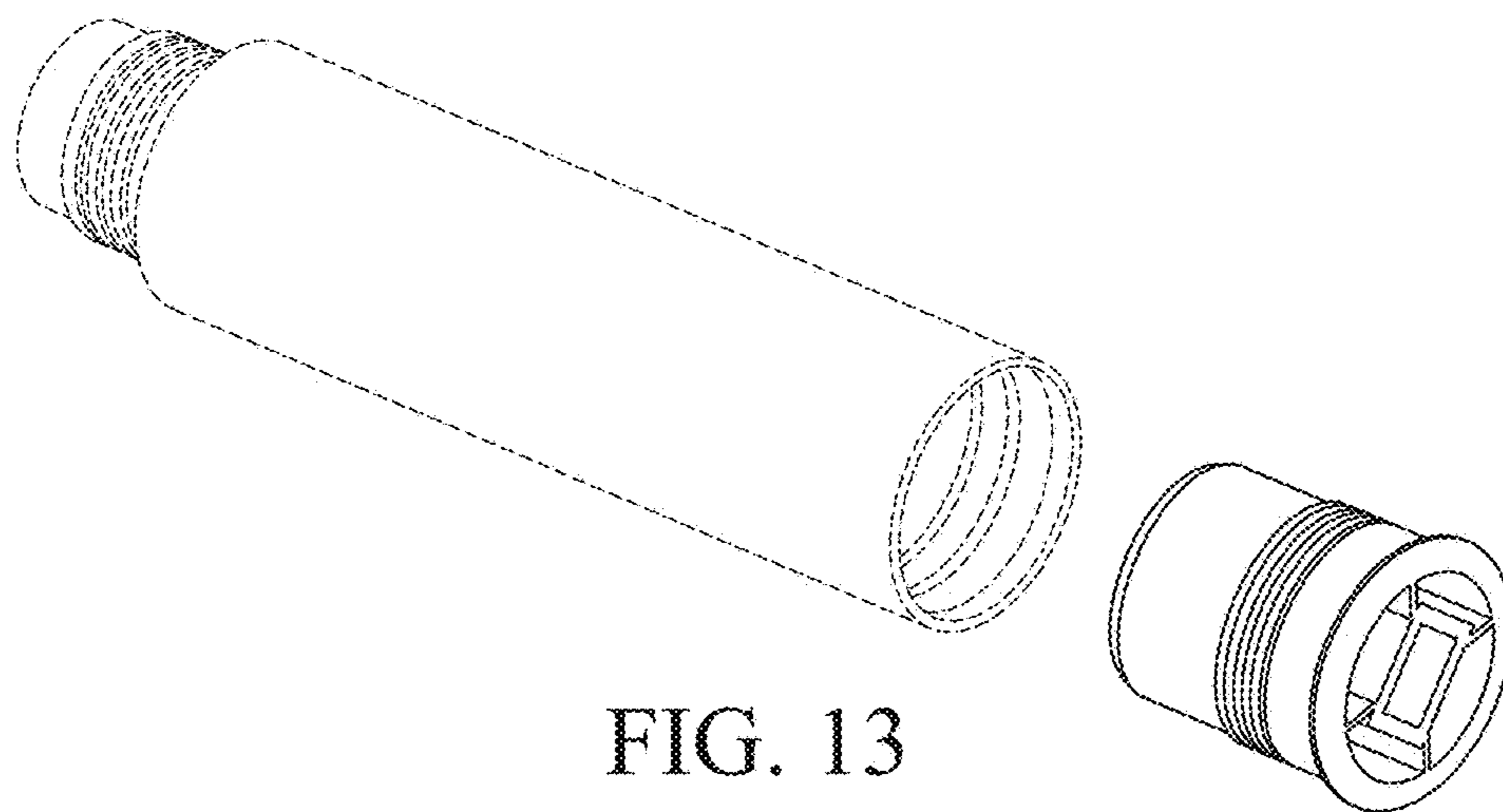


FIG. 13

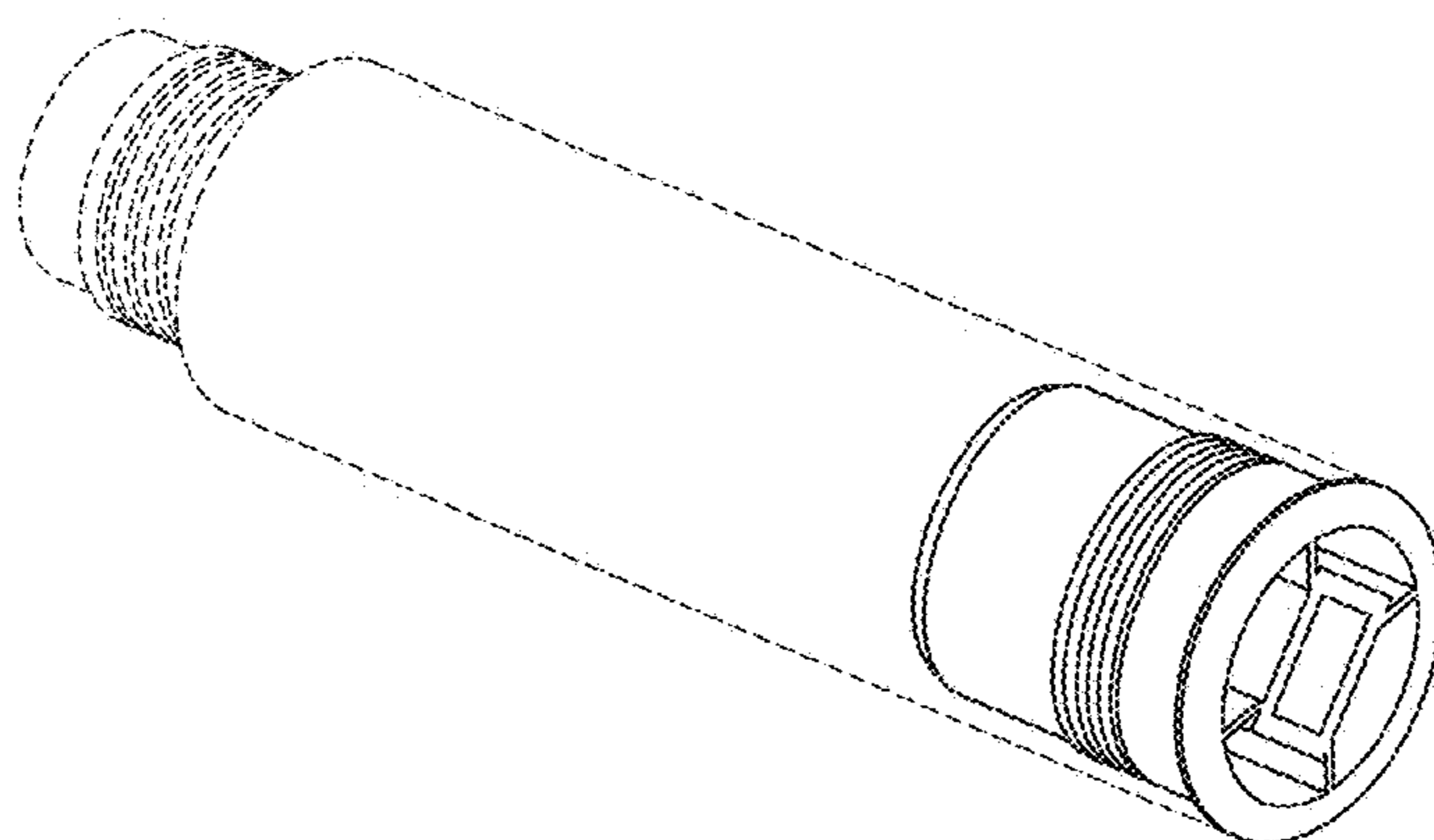


FIG. 14