



US00D827129S

(12) **United States Design Patent**
Lafond

(10) **Patent No.:** **US D827,129 S**

(45) **Date of Patent:** **** Aug. 28, 2018**

- (54) **URINE COLLECTION BAG**
- (71) Applicant: **3088081 CANADA INC.,**
St-Mathieu-de-Beloeil (CA)
- (72) Inventor: **André Lafond,** Mont Saint Hilaire
(CA)
- (73) Assignee: **3088081 CANADA INC.,**
St-Mathieu-de-Beloeil (CA)

D671,841 S *	12/2012	McClellan	D9/709
D699,343 S *	2/2014	Clements	D24/118
D725,260 S *	3/2015	Cesa	D24/118
D751,190 S *	3/2016	Ueda	D24/118
D785,164 S *	4/2017	Subramanian	D24/118
D785,165 S *	4/2017	Nordquist	D24/118
D817,484 S *	5/2018	Lafond	D24/118
2006/0111681 A1 *	5/2006	Vernon	A61M 1/0019 604/326

- (**) Term: **15 Years**
- (21) Appl. No.: **29/631,998**
- (22) Filed: **Jan. 4, 2018**

Related U.S. Application Data

- (62) Division of application No. 29/597,034, filed on Mar. 14, 2017, now Pat. No. Des. 817,484.
- (51) **LOC (11) Cl.** **24-02**
- (52) **U.S. Cl.**
USPC **D24/118**
- (58) **Field of Classification Search**
USPC D24/118, 122, 121, 224, 108, 127, 128;
D9/522, 575, 574, 573, 516, 547, 543,
D9/530
CPC A61F 5/4405; A61F 5/44; A61F 5/455;
A61M 1/0019; Y10S 128/24
See application file for complete search history.

(56) **References Cited**

U.S. PATENT DOCUMENTS

D288,961 S *	3/1987	Andersen	D24/118
D291,491 S *	8/1987	Larkin	D24/118
D354,129 S *	1/1995	Salvadori	D24/118
D358,468 S *	5/1995	Howard	D24/118
D555,787 S *	11/2007	Inoue	D24/118
D662,202 S *	6/2012	O'Donnell	D24/118

OTHER PUBLICATIONS

<http://www.alamy.com/stock-photo-24-hour-urine-collection-container-for-vma-estimation-for-testing-4930212.html>, Mar. 10, 2017.
https://www.therapak.com/catalog/urine_collection_24_hour, Mar. 10, 2017.

* cited by examiner

Primary Examiner — Thomas Johannes
Assistant Examiner — Samantha Q. Lawrence
 (74) *Attorney, Agent, or Firm* — Gwendoline Bruneau

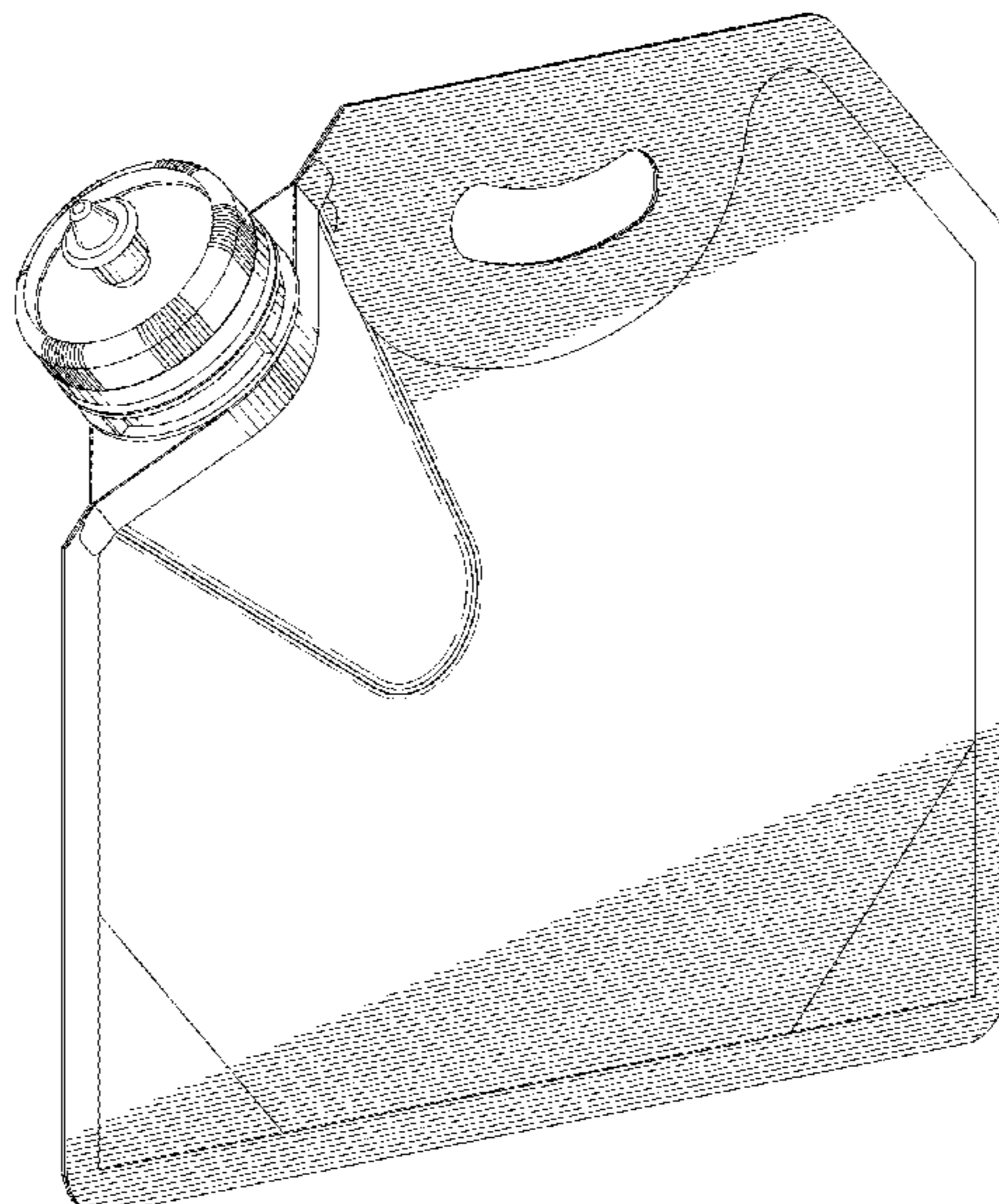
(57) **CLAIM**

The ornamental design for a urine collection bag, as shown and described.

DESCRIPTION

FIG. 1 is a perspective view of a urine collection bag showing my new design in a flattened state thereof;
 FIG. 2 is a first side thereof;
 FIG. 3 is a second side view thereof;
 FIG. 4 is a front thereof;
 FIG. 5 is a rear thereof;
 FIG. 6 is a top thereof;
 FIG. 7 is a bottom view thereof; and,
 FIG. 8 is a perspective view showing the urine collection bag in a filled state thereof.

1 Claim, 6 Drawing Sheets



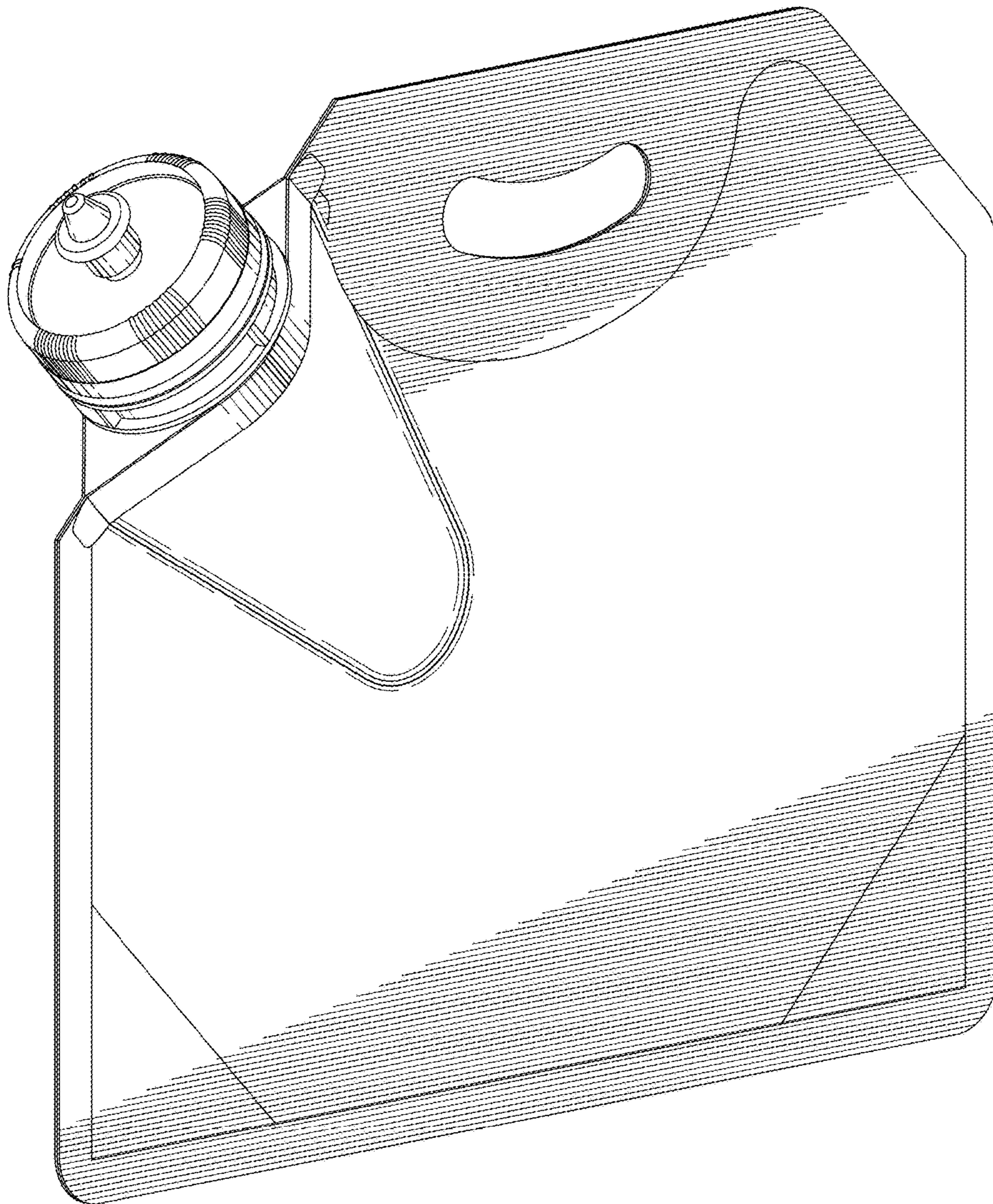


FIG. 1

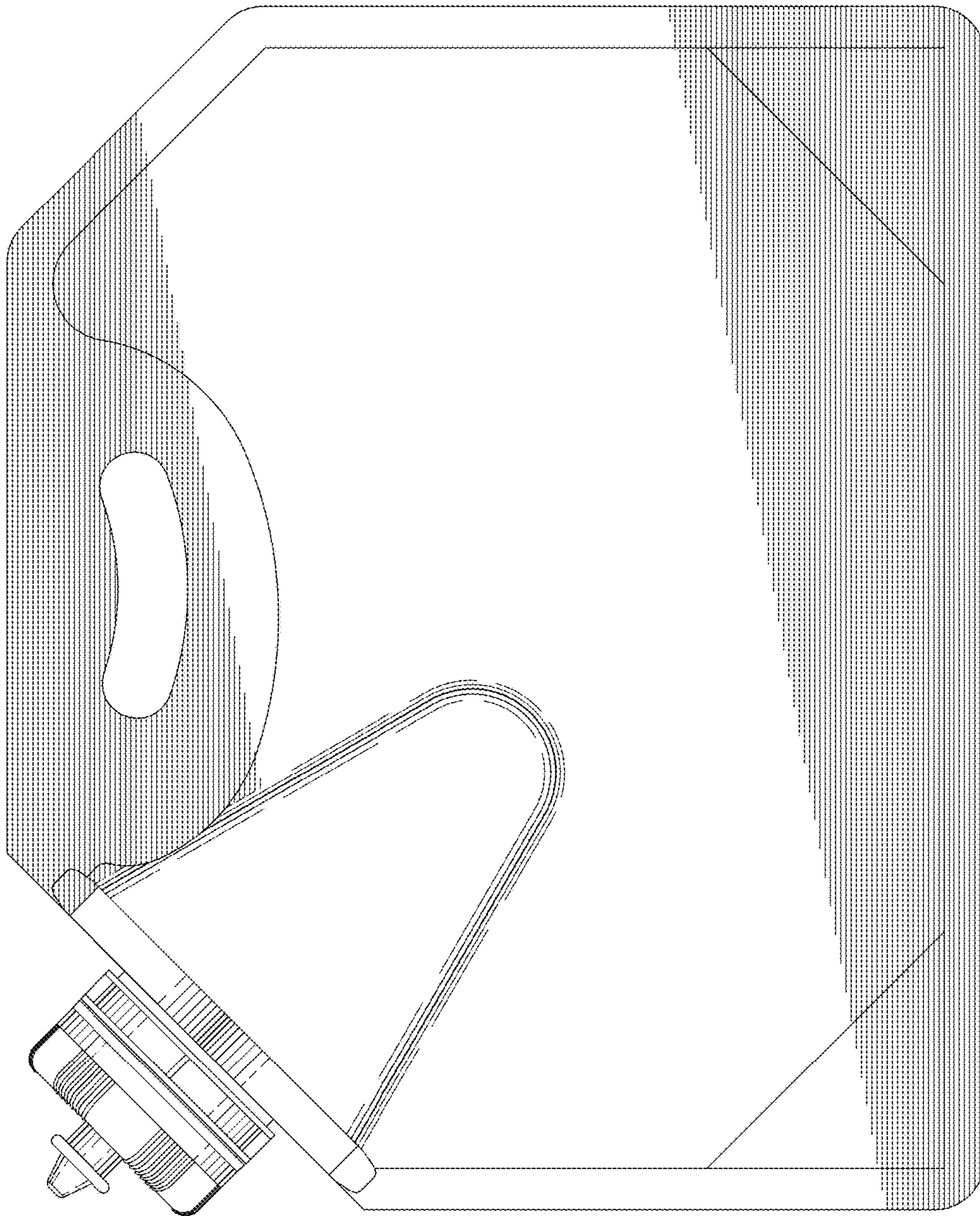


FIG. 2

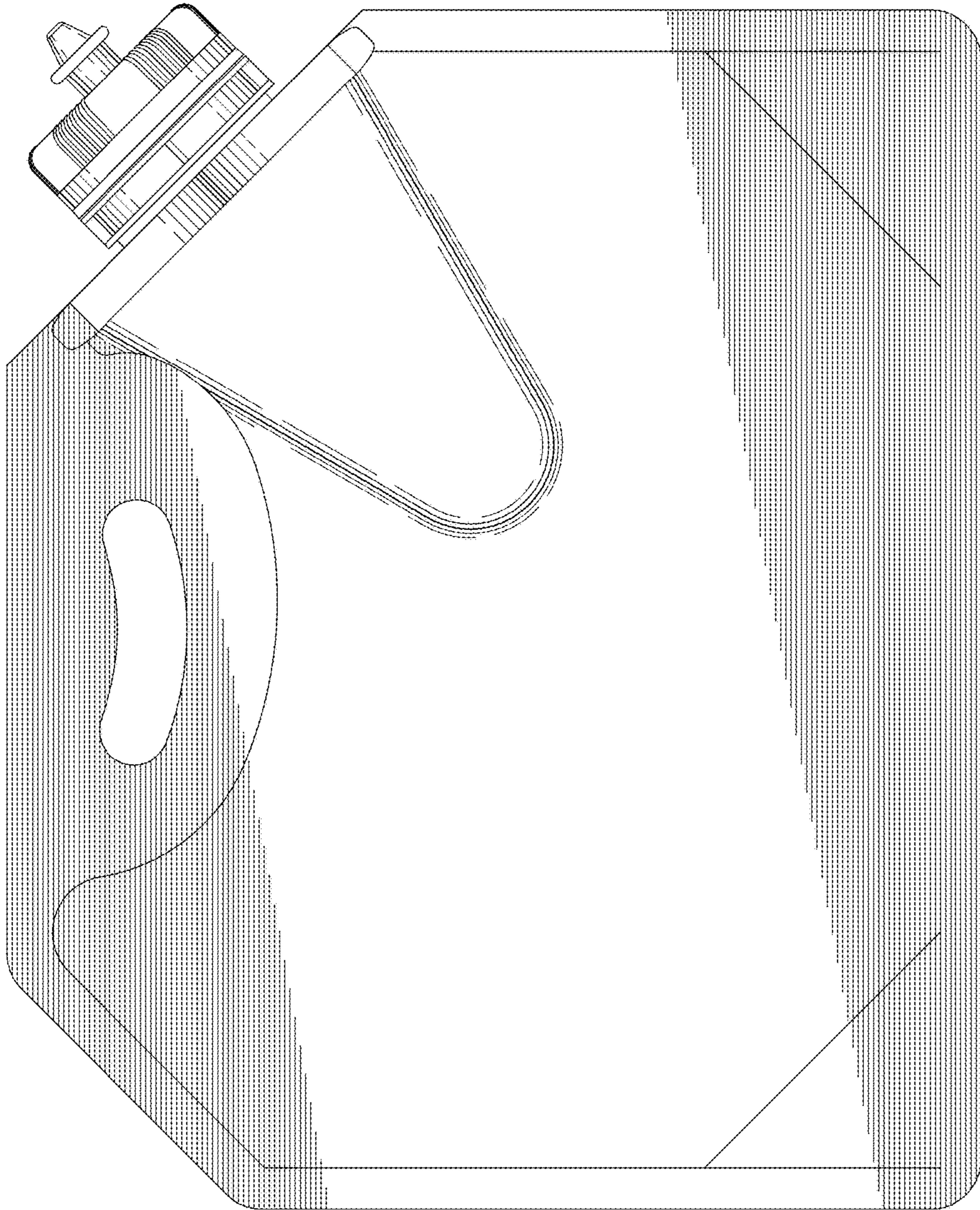


FIG. 3

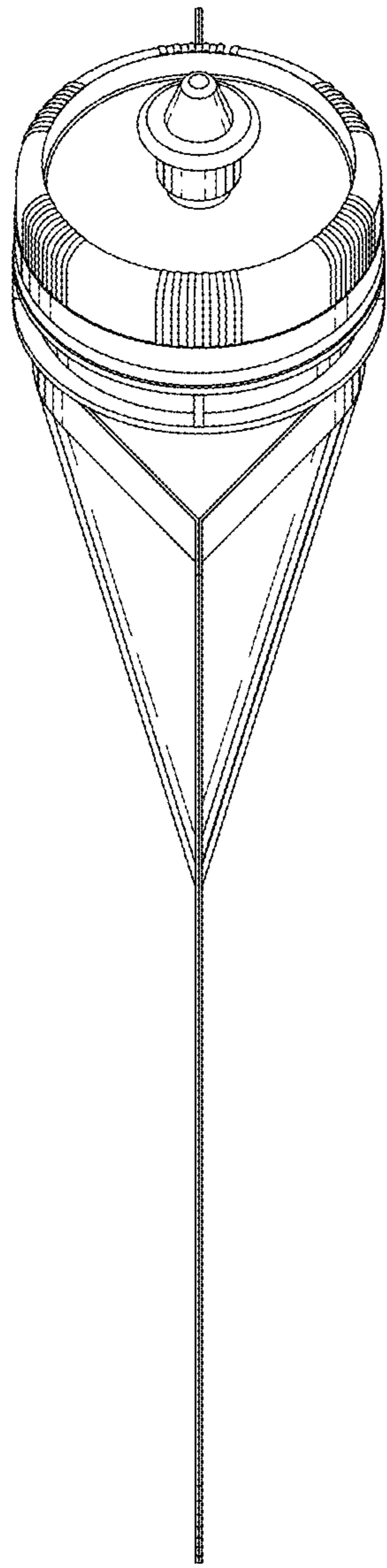


FIG. 4

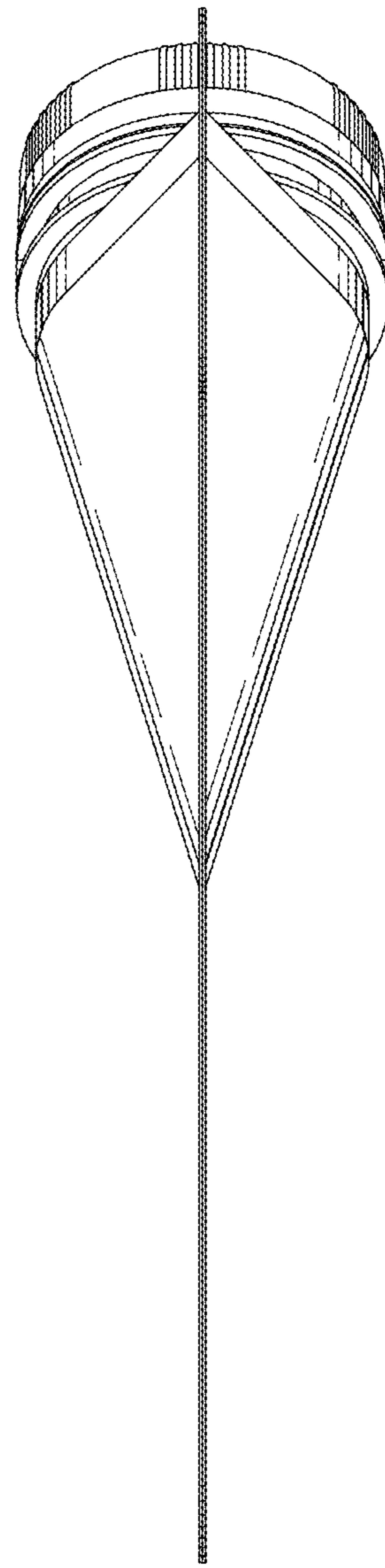


FIG. 5

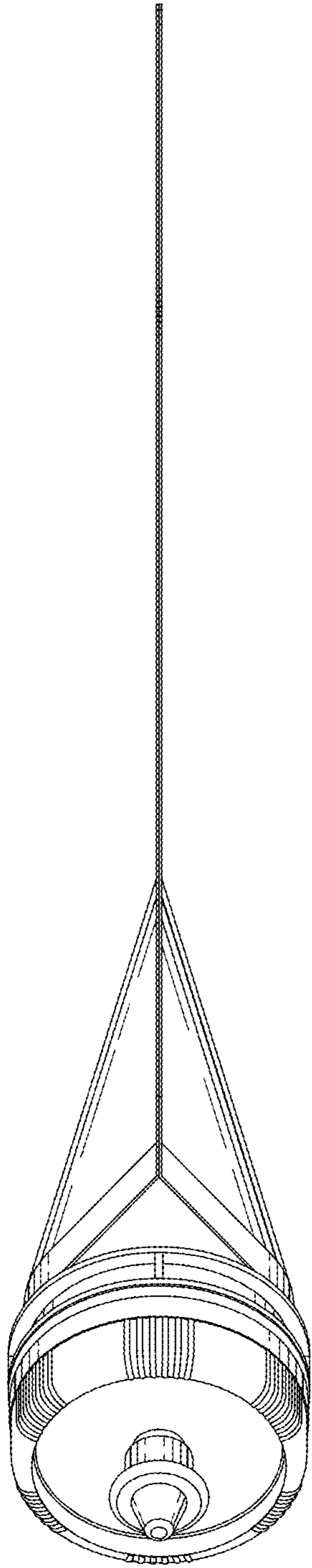


FIG. 6

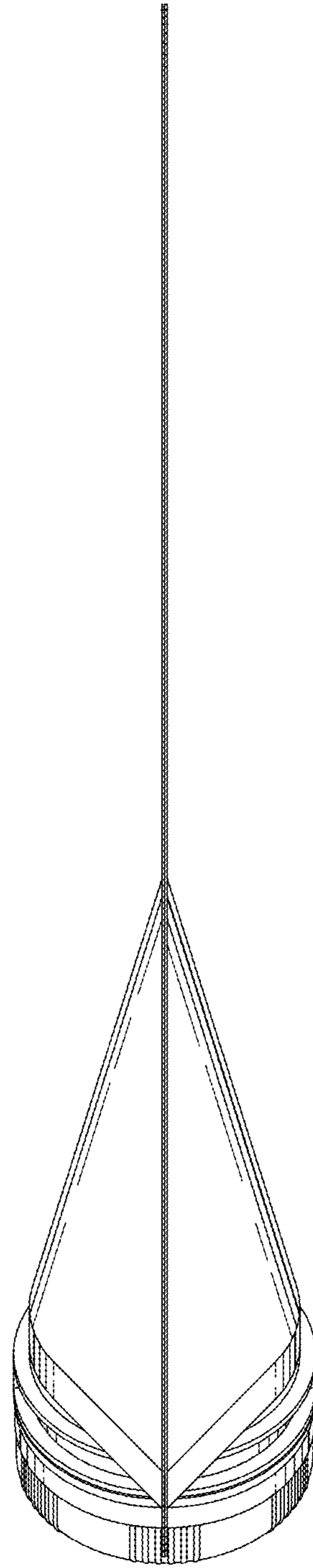


FIG. 7

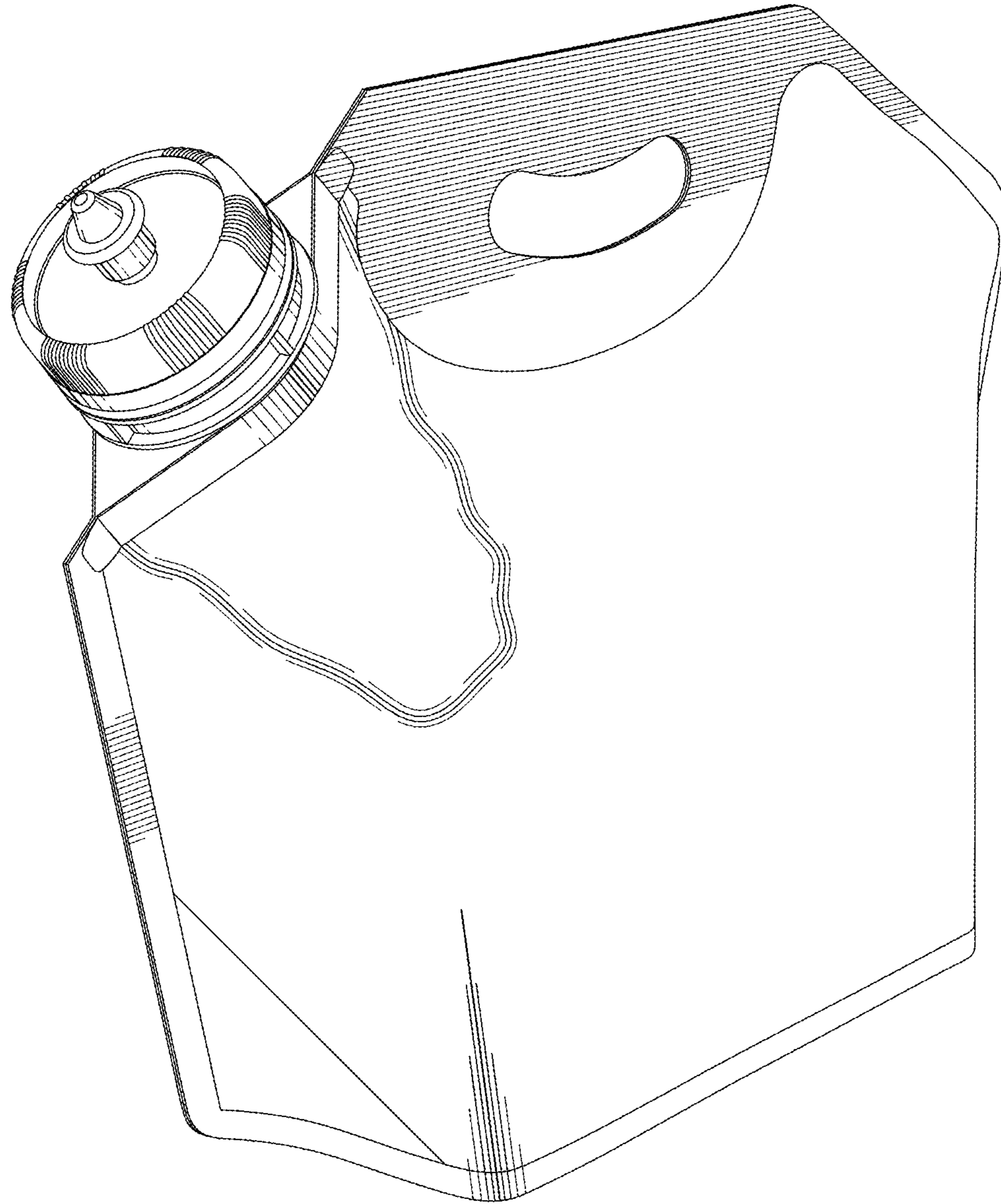


FIG. 8