



US00D827128S

(12) **United States Design Patent** (10) **Patent No.:** **US D827,128 S**  
**Boyaval et al.** (45) **Date of Patent:** **\*\* Aug. 28, 2018**

(54) **HANDHELD DRUG DELIVERY DEVICE**

(71) Applicant: **AMGEN INC.**, Thousand Oaks, CA (US)

(72) Inventors: **Margaux Frances Boyaval**, Newbury Park, CA (US); **Sigrid Moeslinger**, New York, NY (US); **Masamichi Udagawa**, New York, NY (US)

(73) Assignee: **AMGEN INC.**, Thousand Oaks, CA (US)

(\*\*) Term: **15 Years**

(21) Appl. No.: **29/597,038**

(22) Filed: **Mar. 14, 2017**

(51) **LOC (11) Cl.** ..... **24-02**

(52) **U.S. Cl.**  
USPC ..... **D24/117**

(58) **Field of Classification Search**  
USPC ..... D24/112-114, 117, 118, 119, 127, 130,  
D24/133, 186, 104; D8/107

(Continued)

(56) **References Cited**

**U.S. PATENT DOCUMENTS**

D717,428 S \* 11/2014 Sendatzki ..... D24/113  
D722,158 S \* 2/2015 Magome ..... D24/113

(Continued)

**FOREIGN PATENT DOCUMENTS**

CN 302858428 6/2014  
CN 304223460 7/2017

(Continued)

**OTHER PUBLICATIONS**

Industrial Design DM/092744, Millennium Pharmaceuticals, Inc.,  
Registration date Sep. 6, 2016.

(Continued)

*Primary Examiner* — Thomas J Johannes

*Assistant Examiner* — Samantha Q. Lawrence

(74) *Attorney, Agent, or Firm* — Marshall, Gerstein & Borun LLP

(57) **CLAIM**

The ornamental design for a handheld drug delivery device, as shown and described.

**DESCRIPTION**

This patent or application file contains a least one drawing executed partly in color. Copies of this patent or patent application publication with drawing(s) partly in color will be provided by the Office upon request and payment of any necessary fee.

FIG. 1 is a perspective view showing a first embodiment of a new design for a handheld drug delivery device;

FIG. 2 is a front view of the handheld drug delivery device of FIG. 1;

FIG. 3 is a rear view of the handheld drug delivery device of FIG. 1;

FIG. 4 is a right-side view of the handheld drug delivery device of FIG. 1;

FIG. 5 is a left-side view of the handheld drug delivery device of FIG. 1;

FIG. 6 is a top view of the handheld drug delivery device of FIG. 1;

FIG. 7 is a bottom view of the handheld drug delivery device of FIG. 1;

FIG. 8 is a perspective view of the handheld drug delivery device of FIG. 1 with its cap removed;

FIG. 9 is a top view of the handheld drug delivery device of FIG. 1 with its cap removed;

FIG. 10 is a perspective view showing a second embodiment of a new design for a handheld drug delivery device;

FIG. 11 is a front view of the handheld drug delivery device of FIG. 10;

FIG. 12 is a rear view of the handheld drug delivery device of FIG. 10;

FIG. 13 is a right-side view of the handheld drug delivery device of FIG. 10;

(Continued)

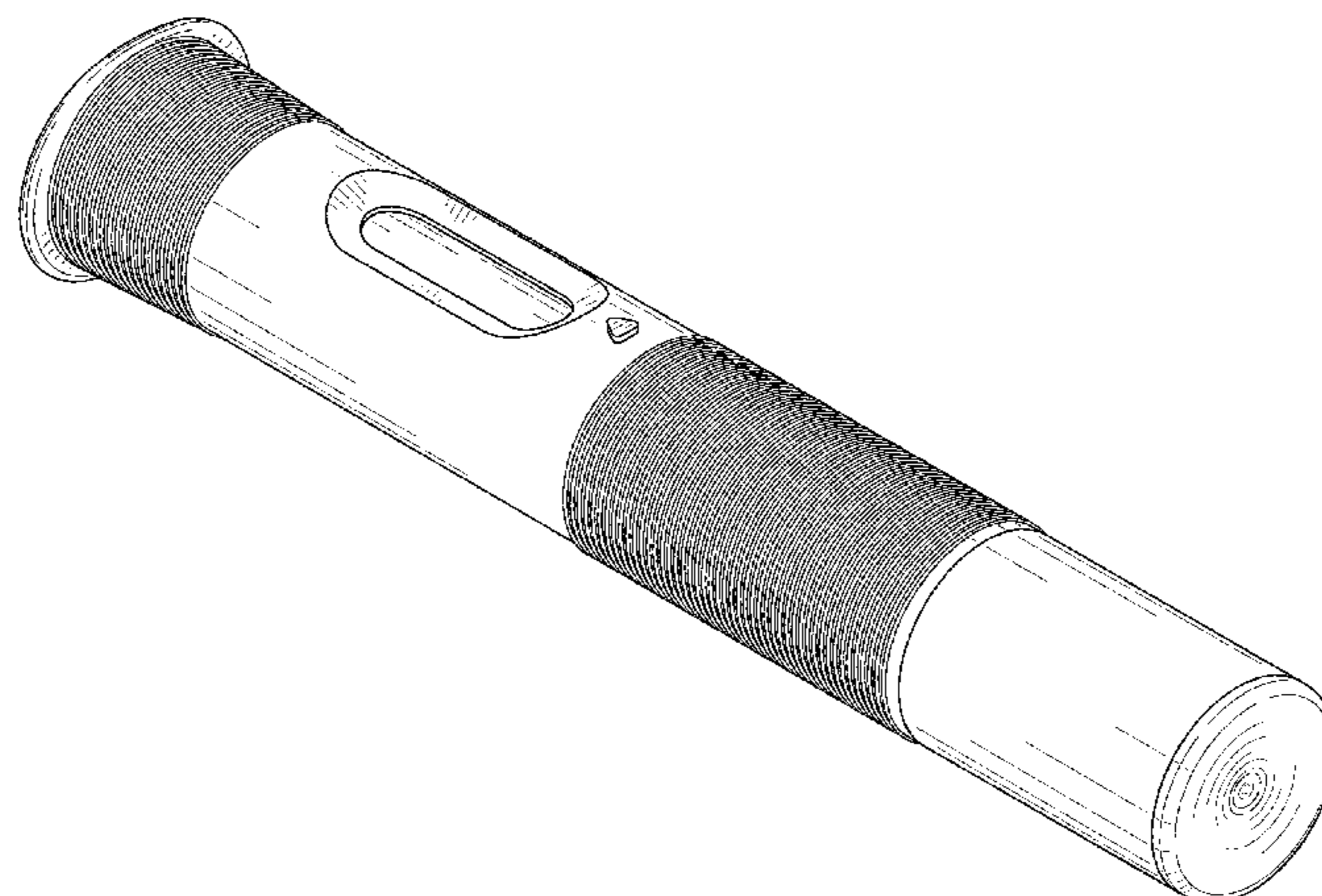


FIG. 14 is a left-side view of the handheld drug delivery device of FIG. 10;  
 FIG. 15 is a top view of the handheld drug delivery device of FIG. 10;  
 FIG. 16 is a bottom view of the handheld drug delivery device of FIG. 10;  
 FIG. 17 is a perspective view of the handheld drug delivery device of FIG. 10 in a first position of use with its cap removed and prior to drug delivery;  
 FIG. 18 is a top view of the handheld drug delivery device of FIG. 10 in a first position of use with its cap removed and prior to drug delivery;  
 FIG. 19 is a perspective view of the handheld drug delivery device of FIG. 10 in a second position of use with its cap removed and subsequent to drug delivery;  
 FIG. 20 is a top view of the handheld drug delivery device of FIG. 10 in a second position of use with its cap removed and subsequent to drug delivery;  
 FIG. 21 is a perspective view showing a third embodiment of a new design for a handheld drug delivery device;  
 FIG. 22 is a front view of the handheld drug delivery device of FIG. 20;  
 FIG. 23 is a rear view of the handheld drug delivery device of FIG. 20;  
 FIG. 24 is a right-side view of the handheld drug delivery device of FIG. 20;  
 FIG. 25 is a left-side view of the handheld drug delivery device of FIG. 20;  
 FIG. 26 is a top view of the handheld drug delivery device of FIG. 20;  
 FIG. 27 is a bottom view of the handheld drug delivery device of FIG. 20;  
 FIG. 28 is a perspective view of the handheld drug delivery device of FIG. 20 in a first position of use with its cap removed and prior to drug delivery;  
 FIG. 29 is a top view of the handheld drug delivery device of FIG. 20 in a first position of use with its cap removed and prior to drug delivery;  
 FIG. 30 is a perspective view of the handheld drug delivery device of FIG. 20 in a second position of use with its cap removed and subsequent to drug delivery; and,  
 FIG. 31 is a top view of the handheld drug delivery device of FIG. 20 in a second position of use with its cap removed and subsequent to drug delivery.

The broken lines shown in FIGS. 8, 17, 19, 28, and 30 illustrate portions of the handheld drug delivery device that form no part of the claimed design.

**1 Claim, 19 Drawing Sheets  
 (14 of 19 Drawing Sheet(s) Filed in Color)**

(58) **Field of Classification Search**

CPC .. A61M 2005/14268; A61M 2005/341; A61M 2209/045; A61M 5/1413; A61M 5/14244; A61M 5/14248; A61M 5/165; A61M 5/36; A61M 5/38; A61M 5/24  
 See application file for complete search history.

(56) **References Cited**

U.S. PATENT DOCUMENTS

D758,567	S	6/2016	Wohlfahrt et al.	
D767,119	S *	9/2016	Hauck .....	D24/113
D780,909	S *	3/2017	Burkett .....	D24/113
D783,816	S	4/2017	Wohlfahrt et al.	
D793,547	S *	8/2017	Burkett .....	D24/112
D794,178	S	8/2017	Daniel et al.	
D794,777	S *	8/2017	Daniel .....	D24/113
D799,026	S *	10/2017	Jones .....	D24/113
D802,748	S *	11/2017	Mills .....	D24/112
2008/0269682	A1	10/2008	Kavazov et al.	
2015/0190577	A1 *	7/2015	Shaanan .....	A61M 5/31551 604/66
2017/0128668	A1 *	5/2017	Miller .....	A61M 5/172
2017/0182242	A1 *	6/2017	Galitz .....	A61M 5/14244

FOREIGN PATENT DOCUMENTS

TW	D179360	11/2016
TW	D179362	11/2016

OTHER PUBLICATIONS

Internet publication <https://www.youtube.com/watch?v=VbGb5lt9n80>, dated Sep. 30, 2014.  
 Office Action, Israel Design Office, Application No. 60912, dated Mar. 4, 2018.  
 Office Action and Search Report for Taiwan application No. 1066305338, dated Mar. 26, 2018.

\* cited by examiner

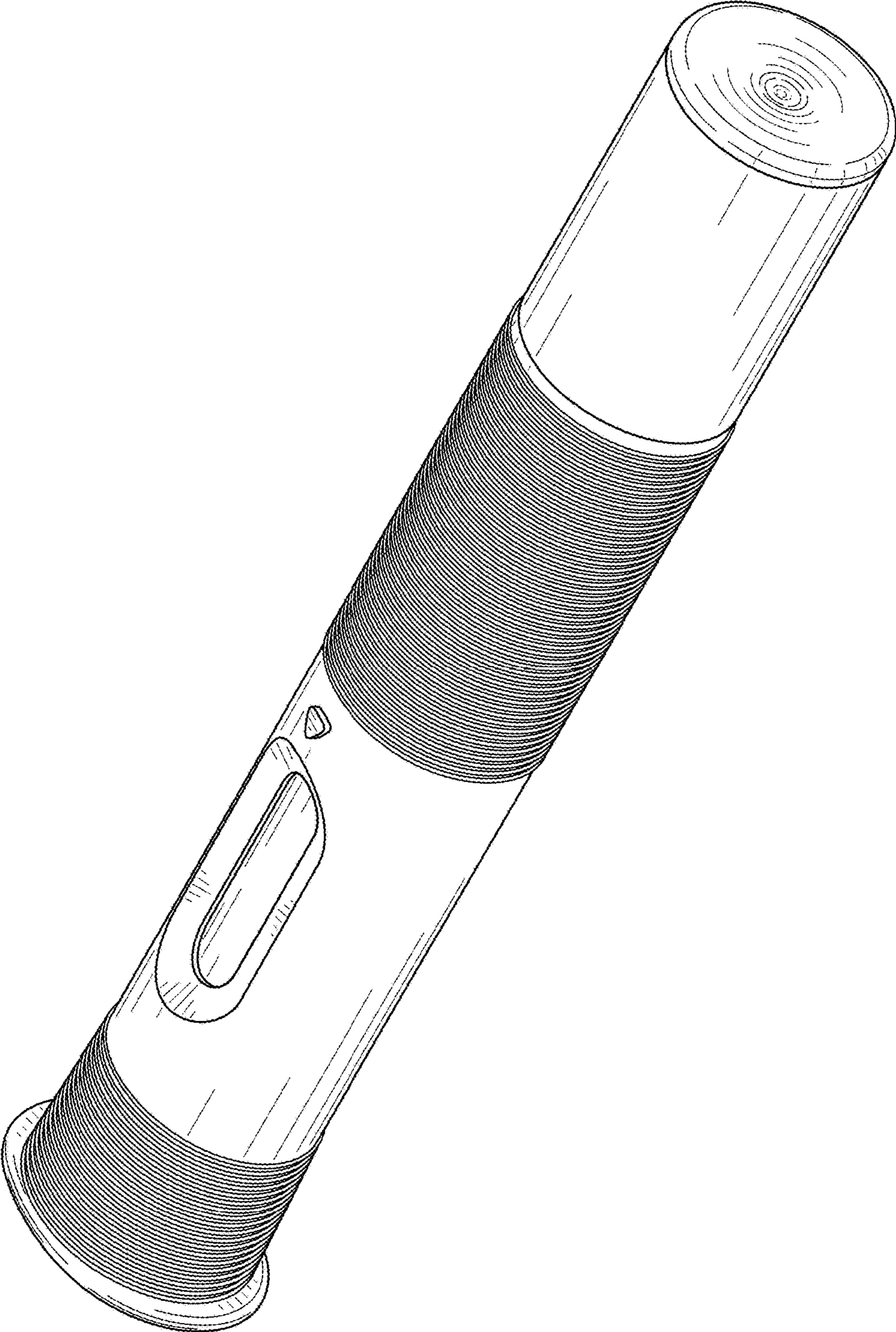


FIG. 1

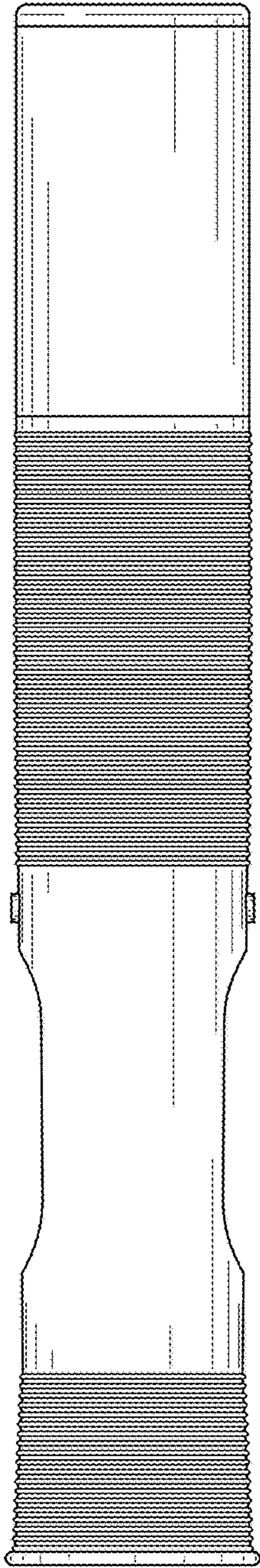


FIG. 2

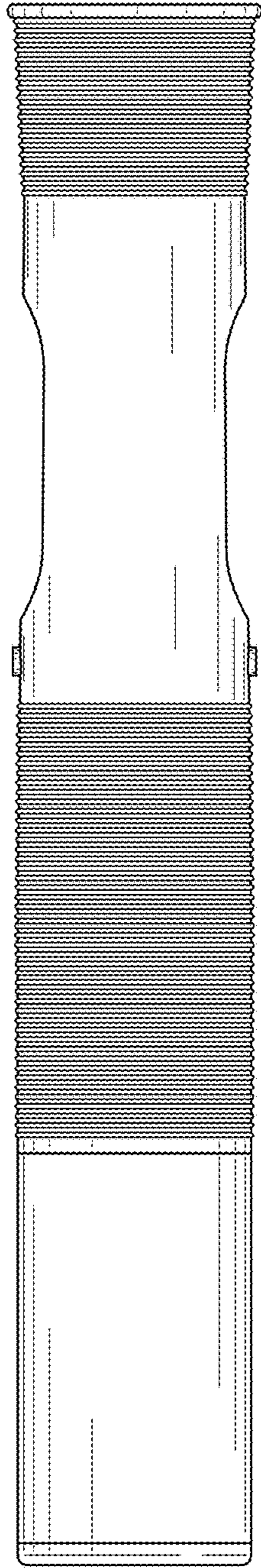


FIG. 3

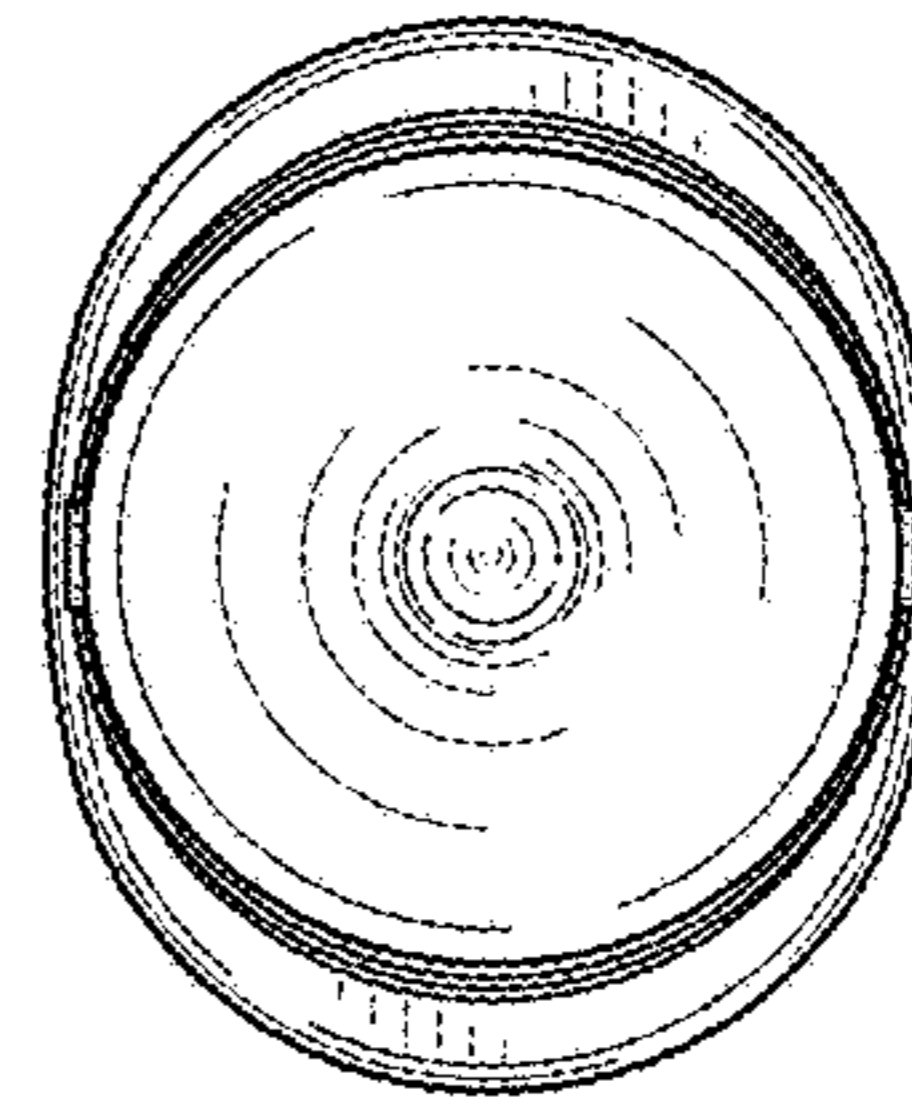


FIG. 4

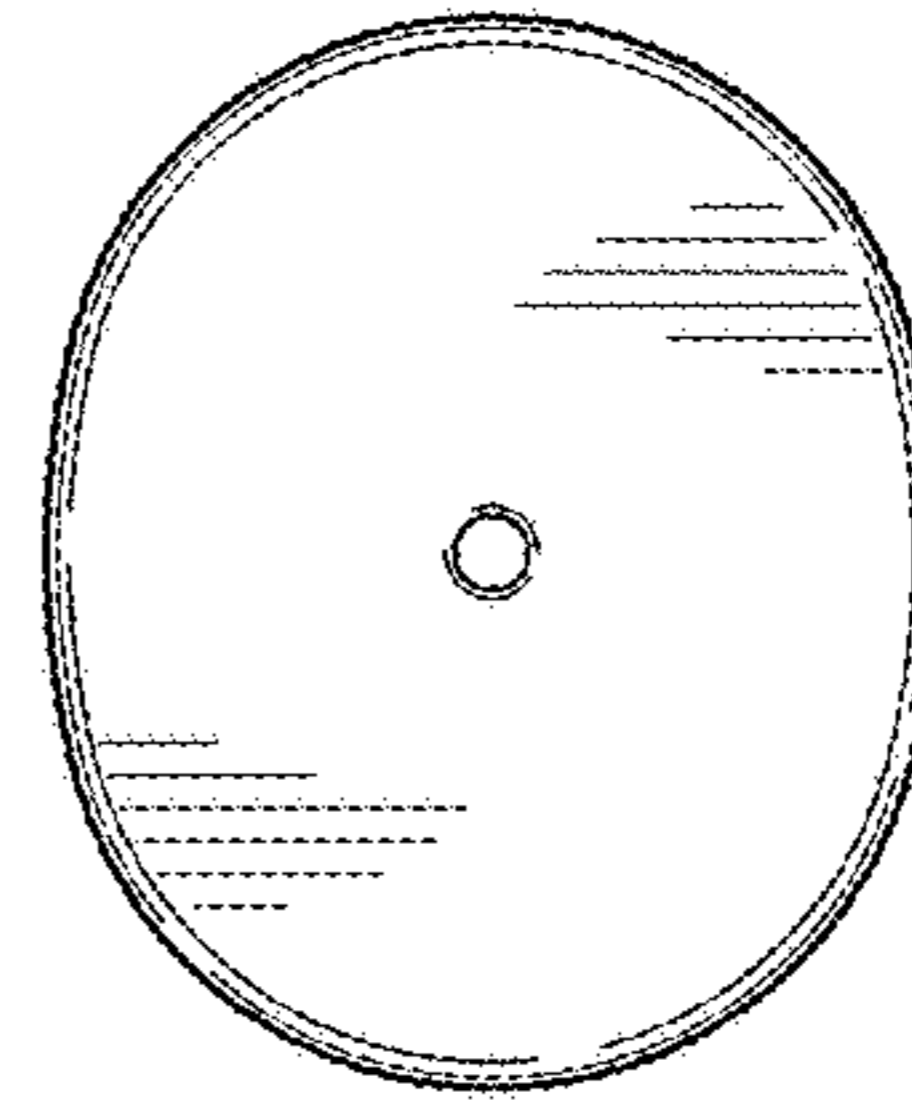


FIG. 5

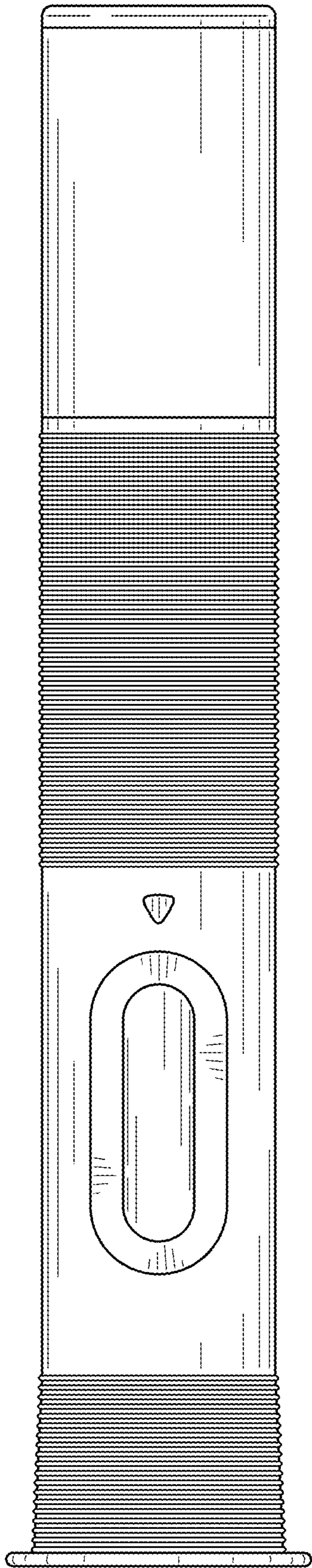


FIG. 6

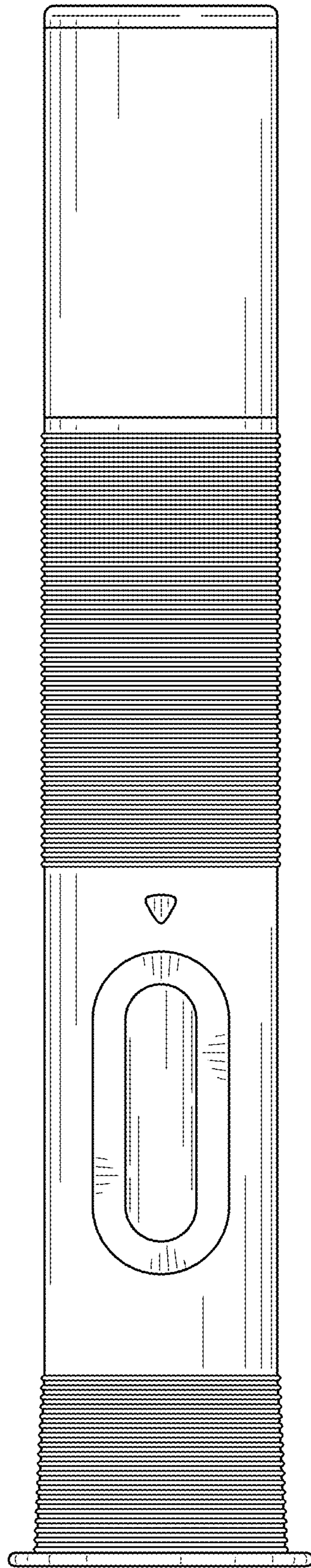


FIG. 7

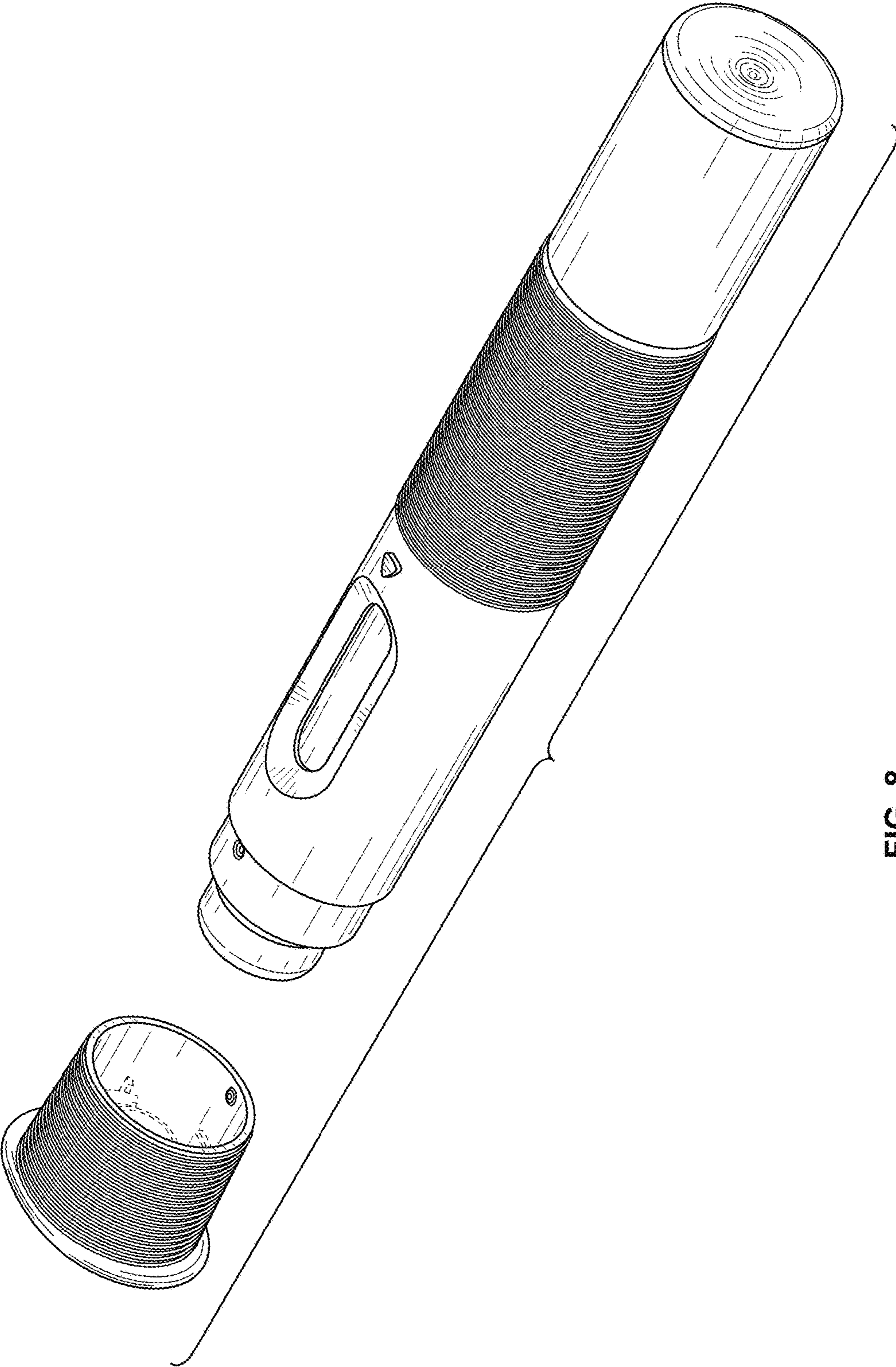


FIG. 8

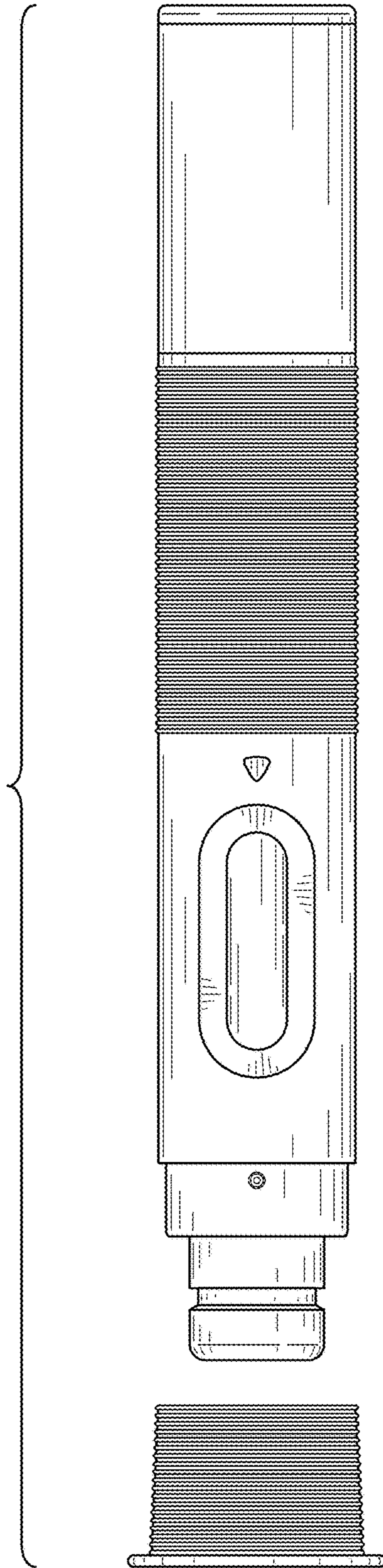


FIG. 9

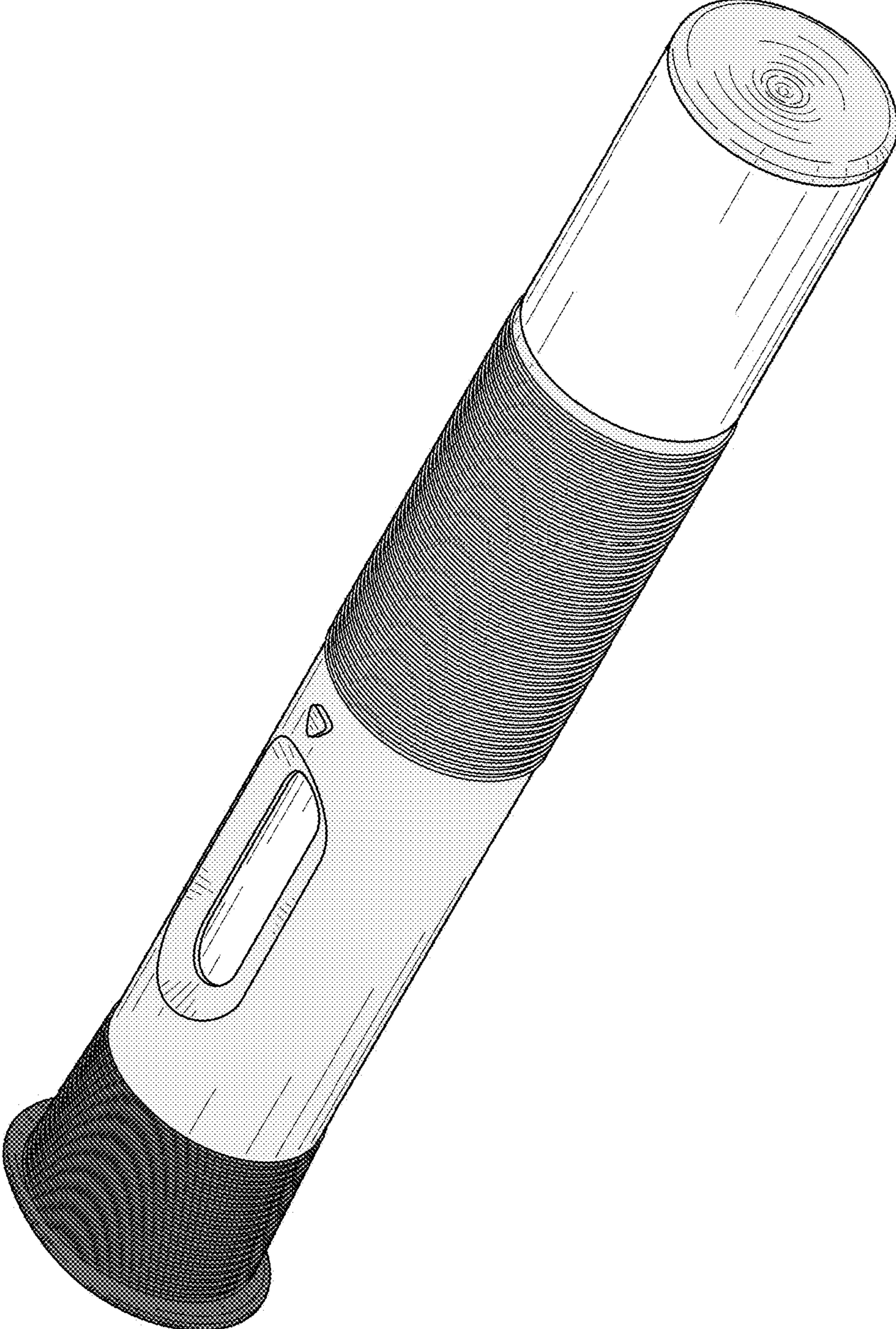


FIG. 10



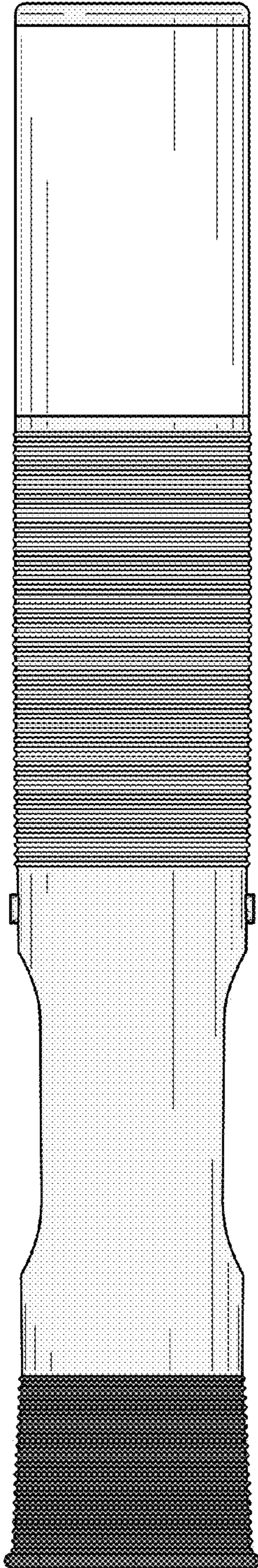


FIG. 11

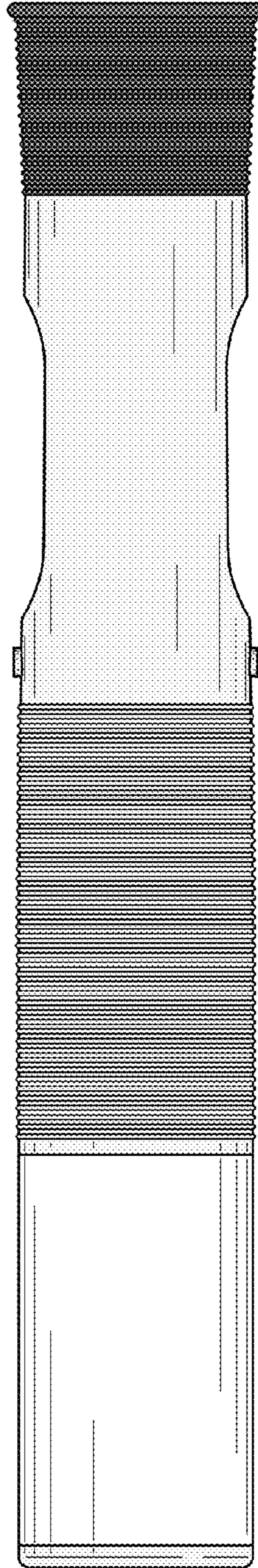


FIG. 12

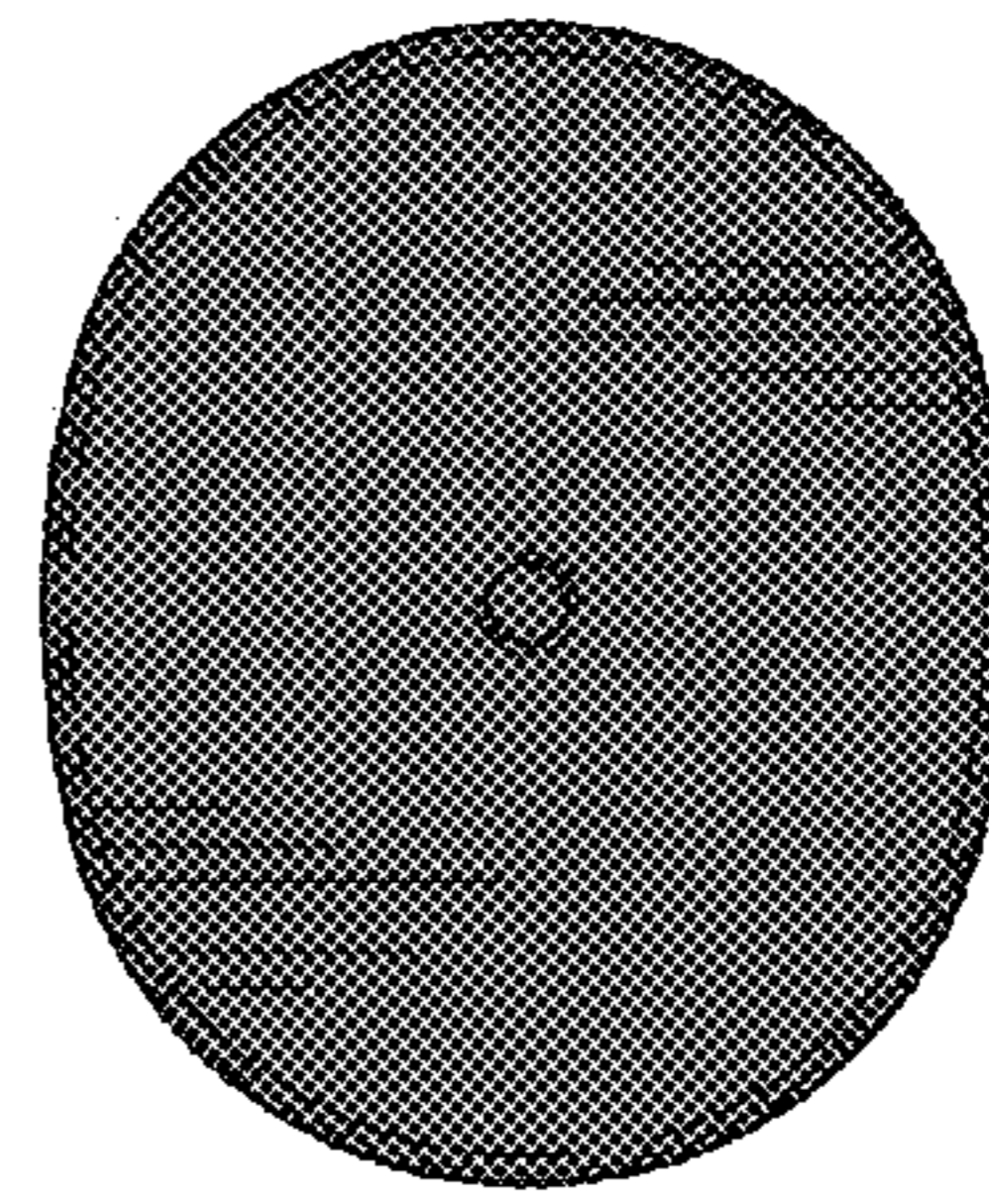


FIG. 14

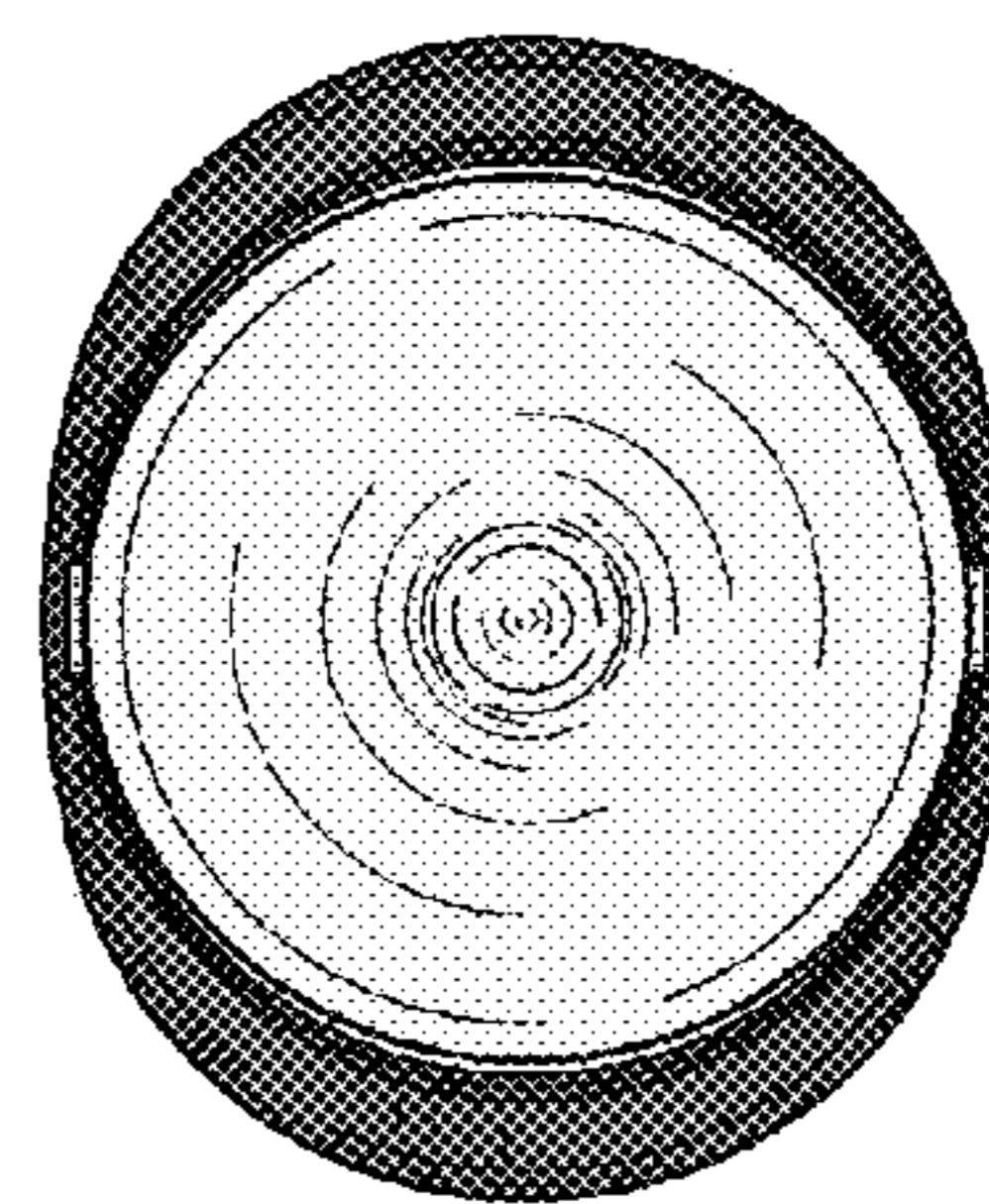


FIG. 13

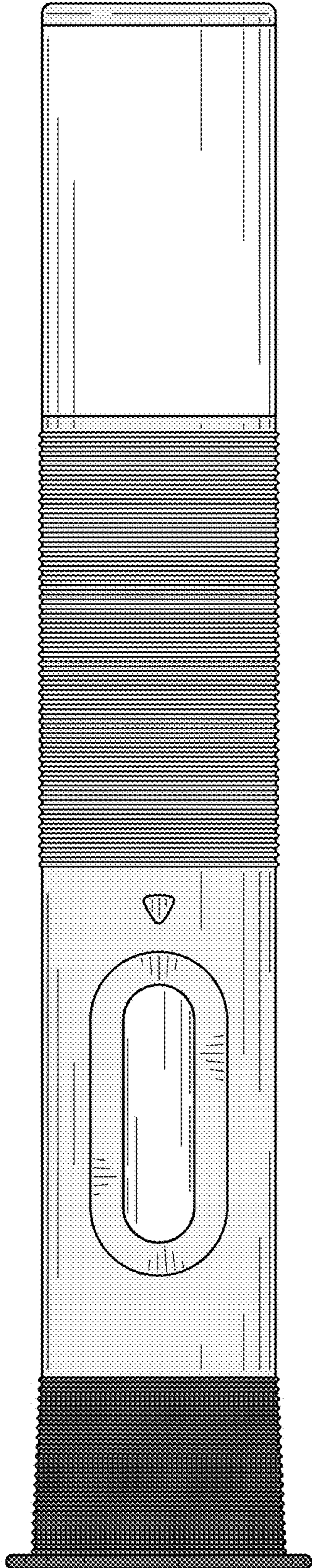


FIG. 15

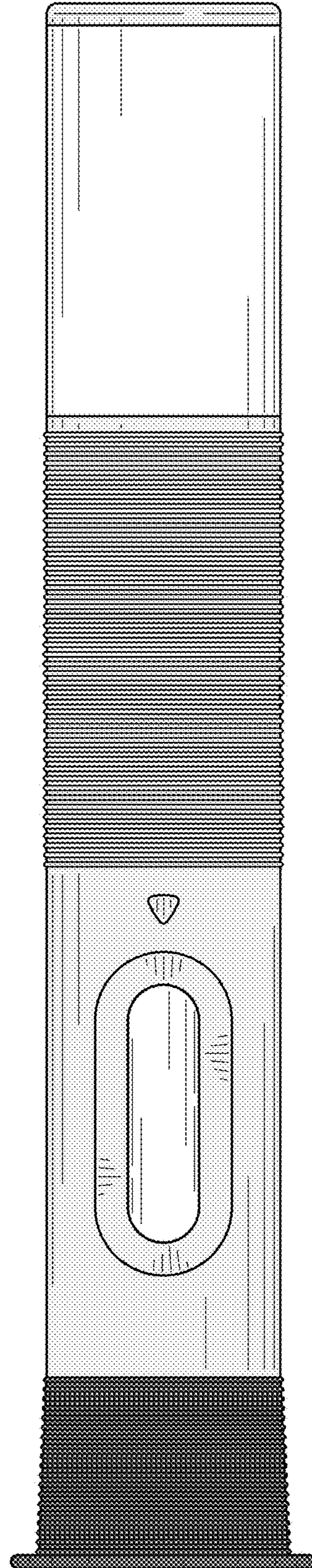


FIG. 16

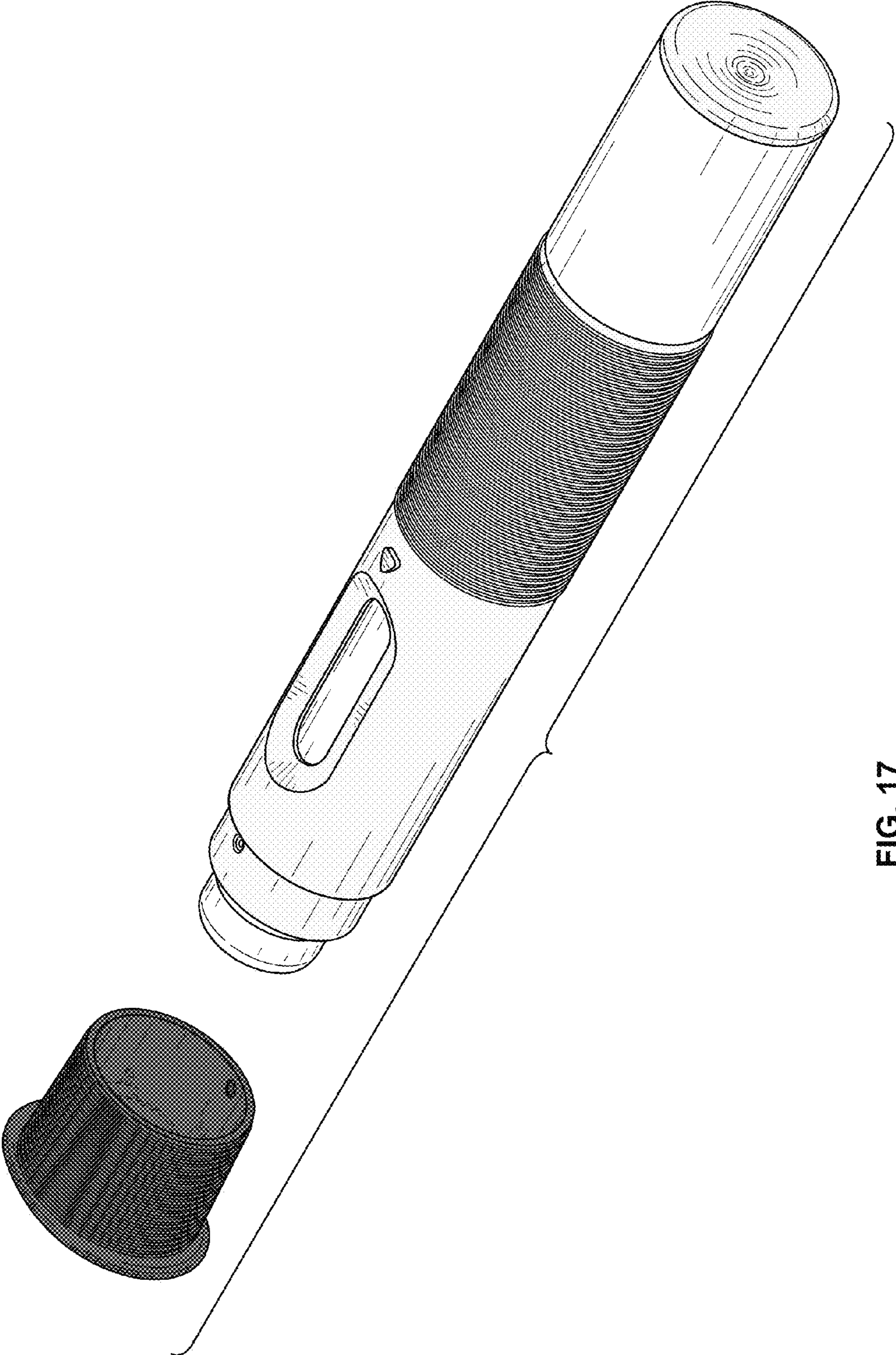


FIG. 17

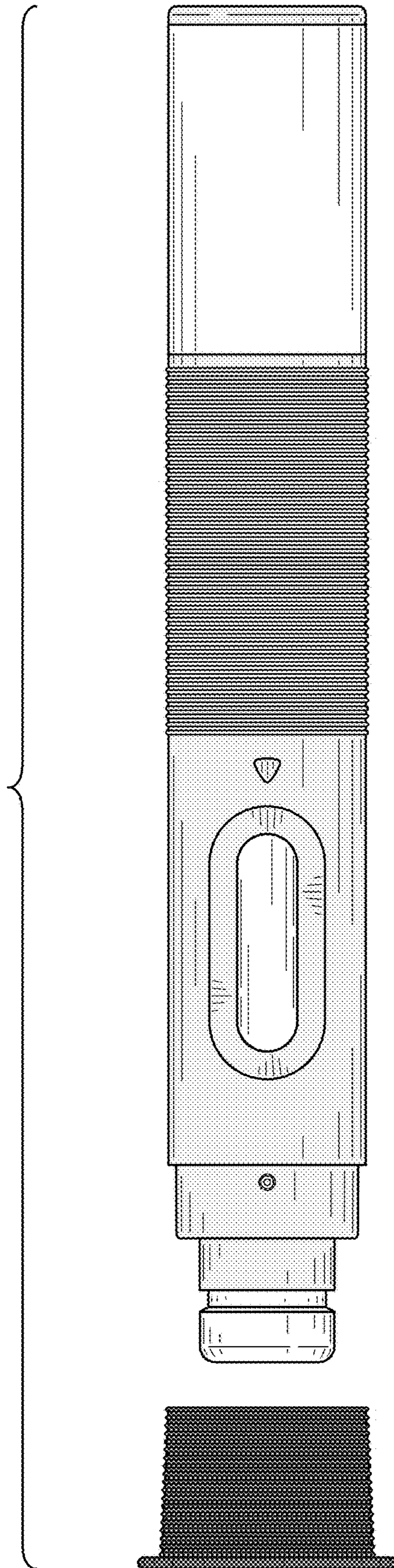


FIG. 18

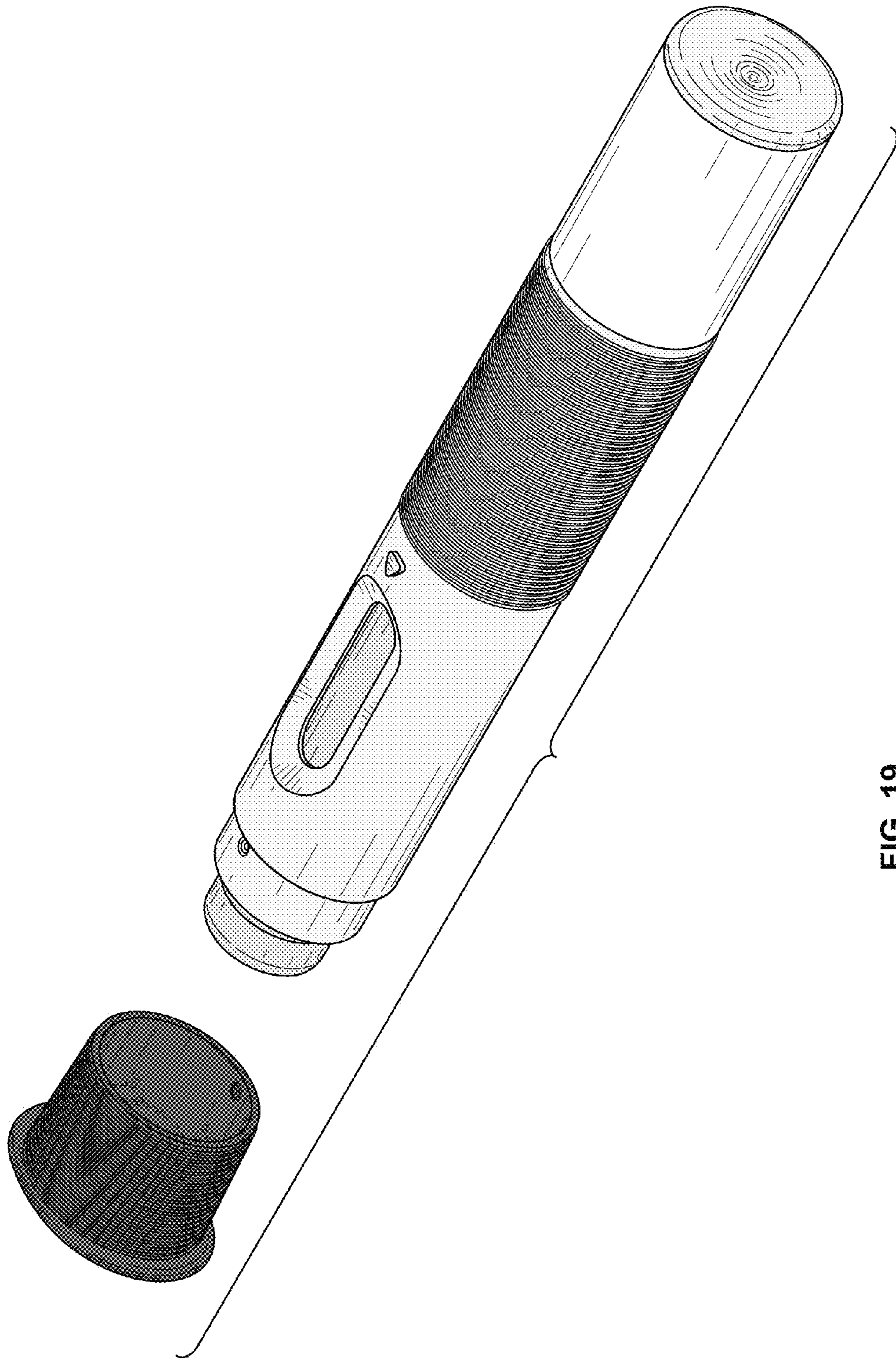


FIG. 19

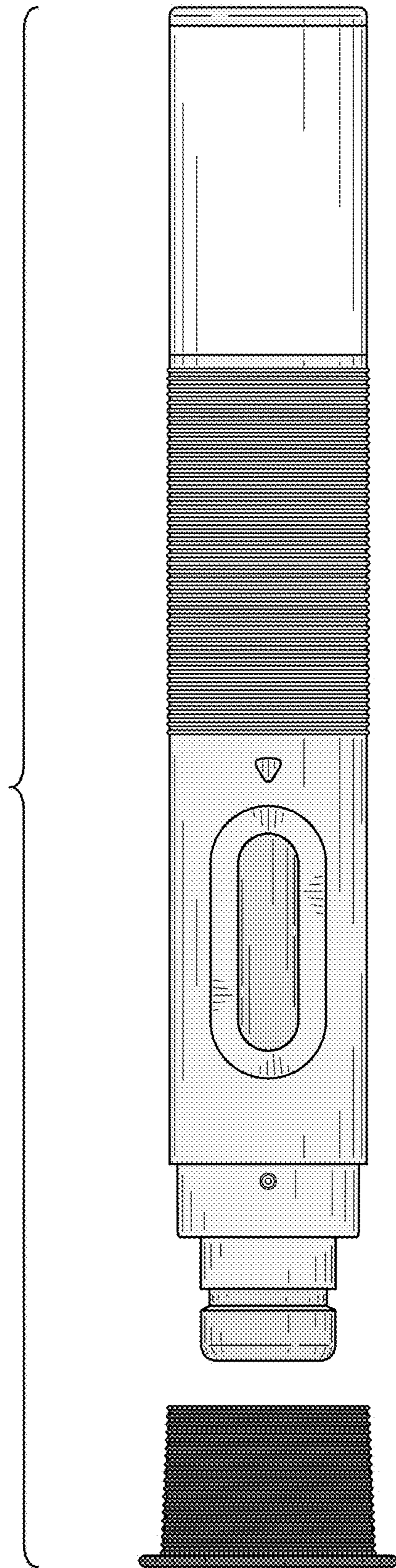


FIG. 20

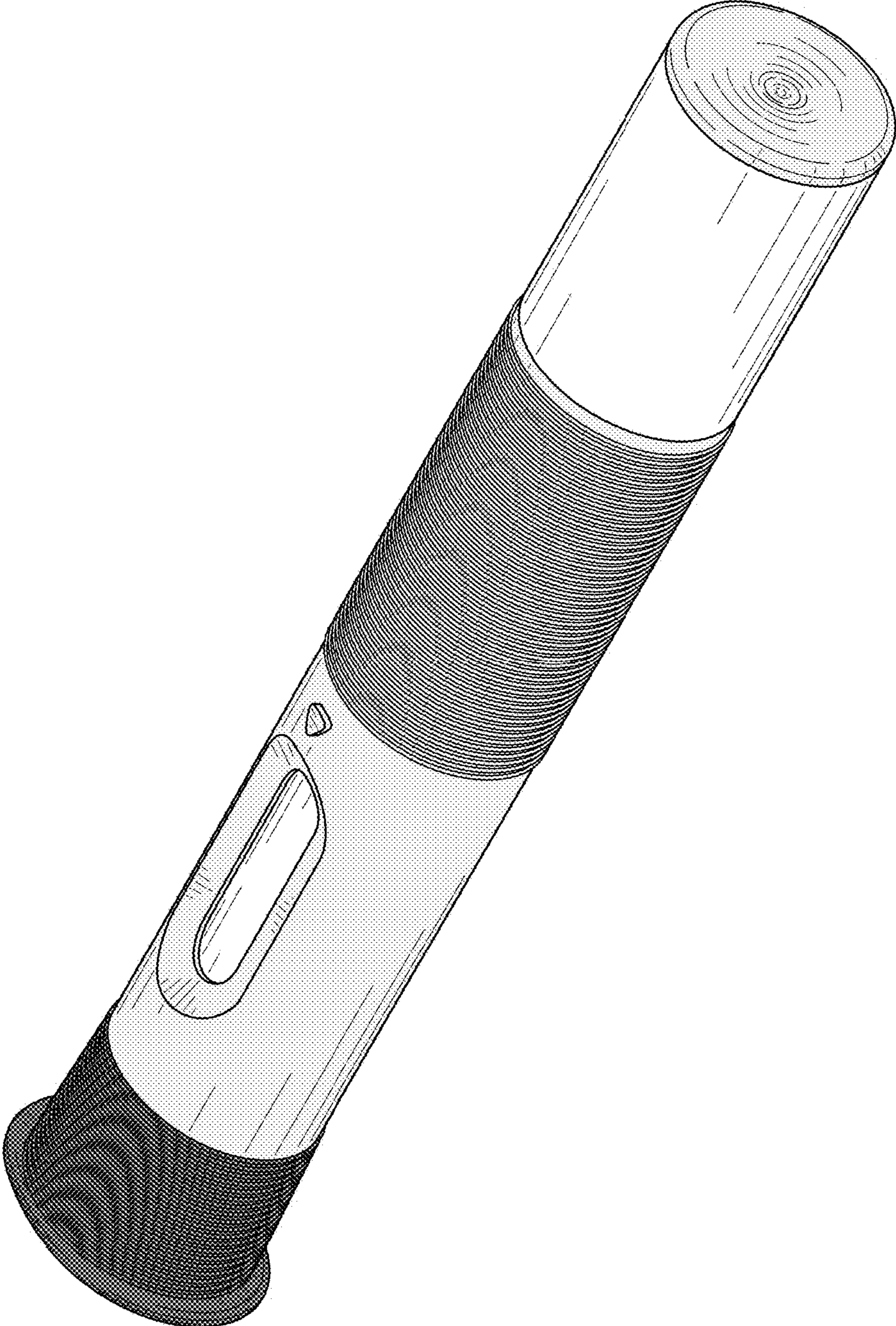


FIG. 21

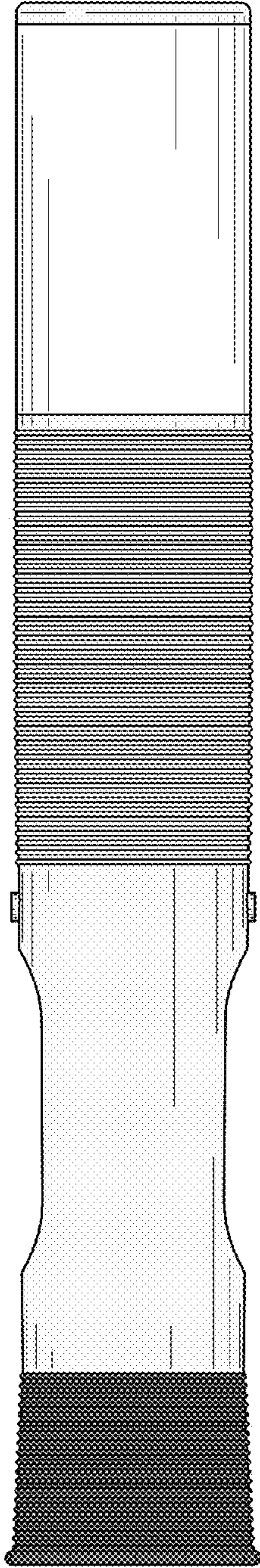


FIG. 22

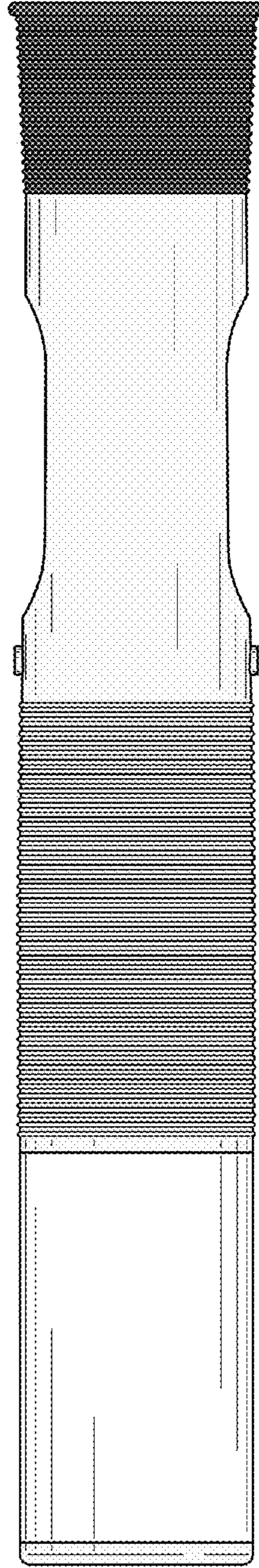


FIG. 23

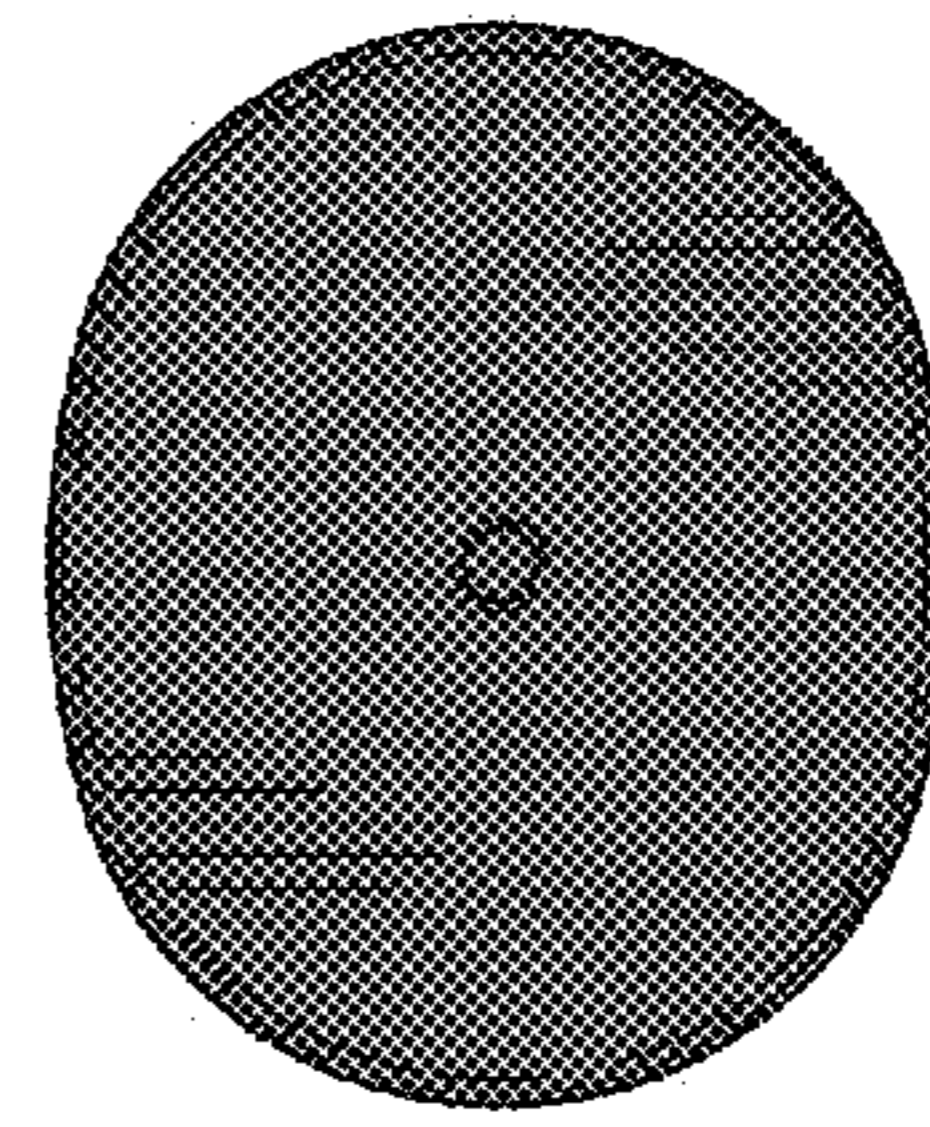


FIG. 25

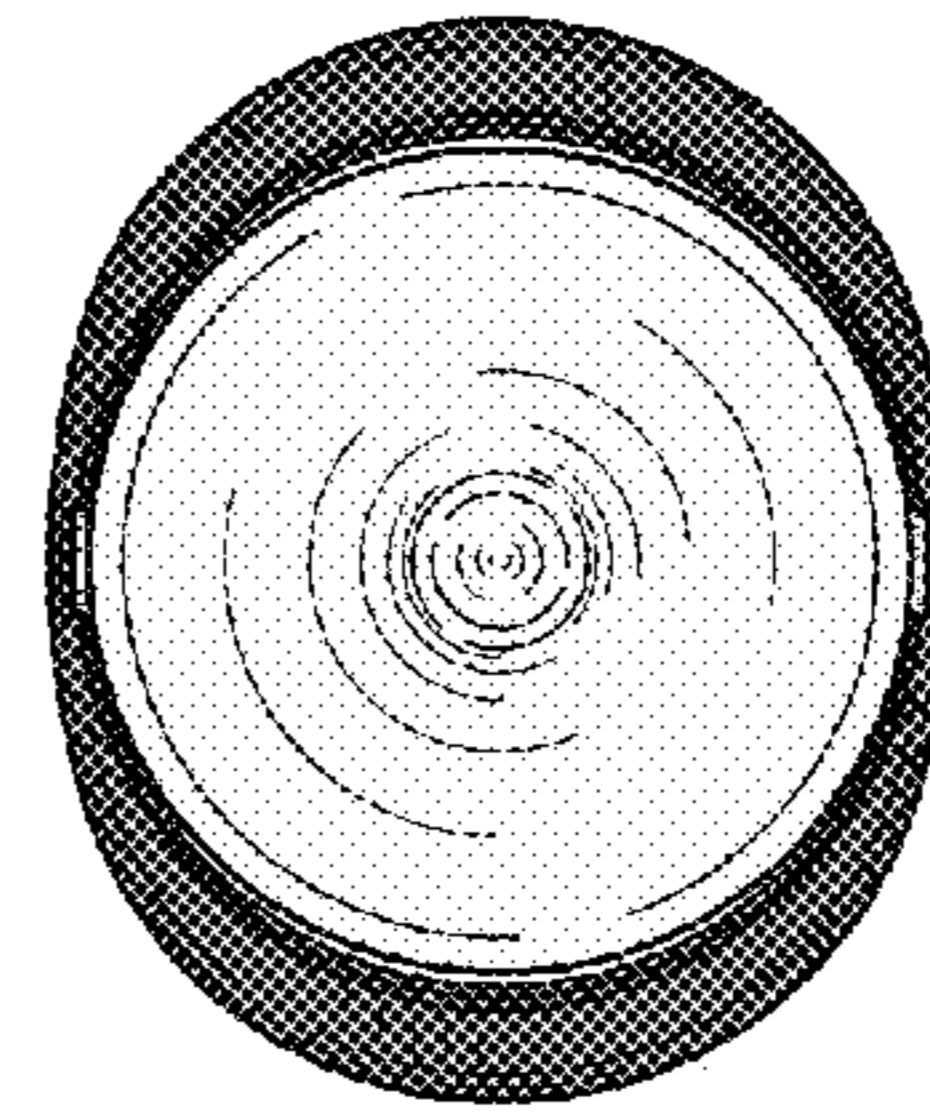


FIG. 24



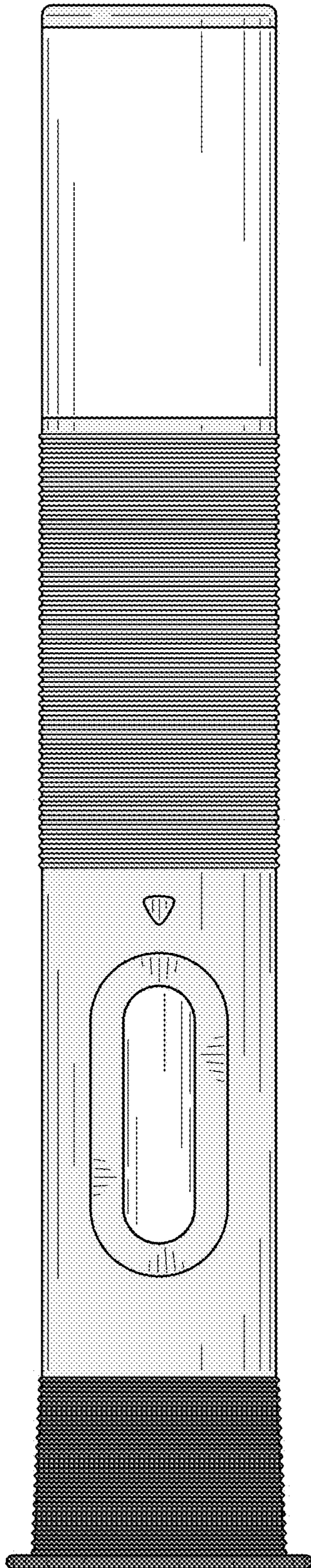


FIG. 26

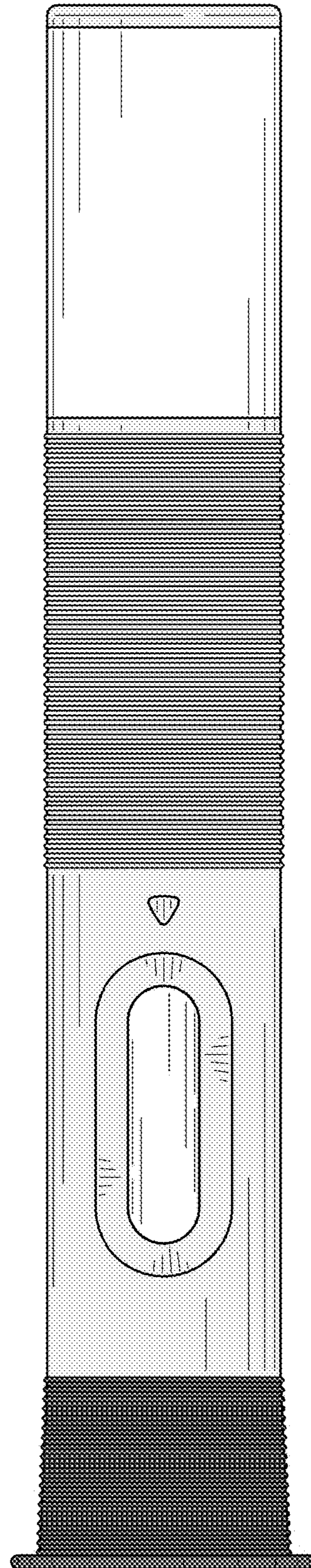


FIG. 27

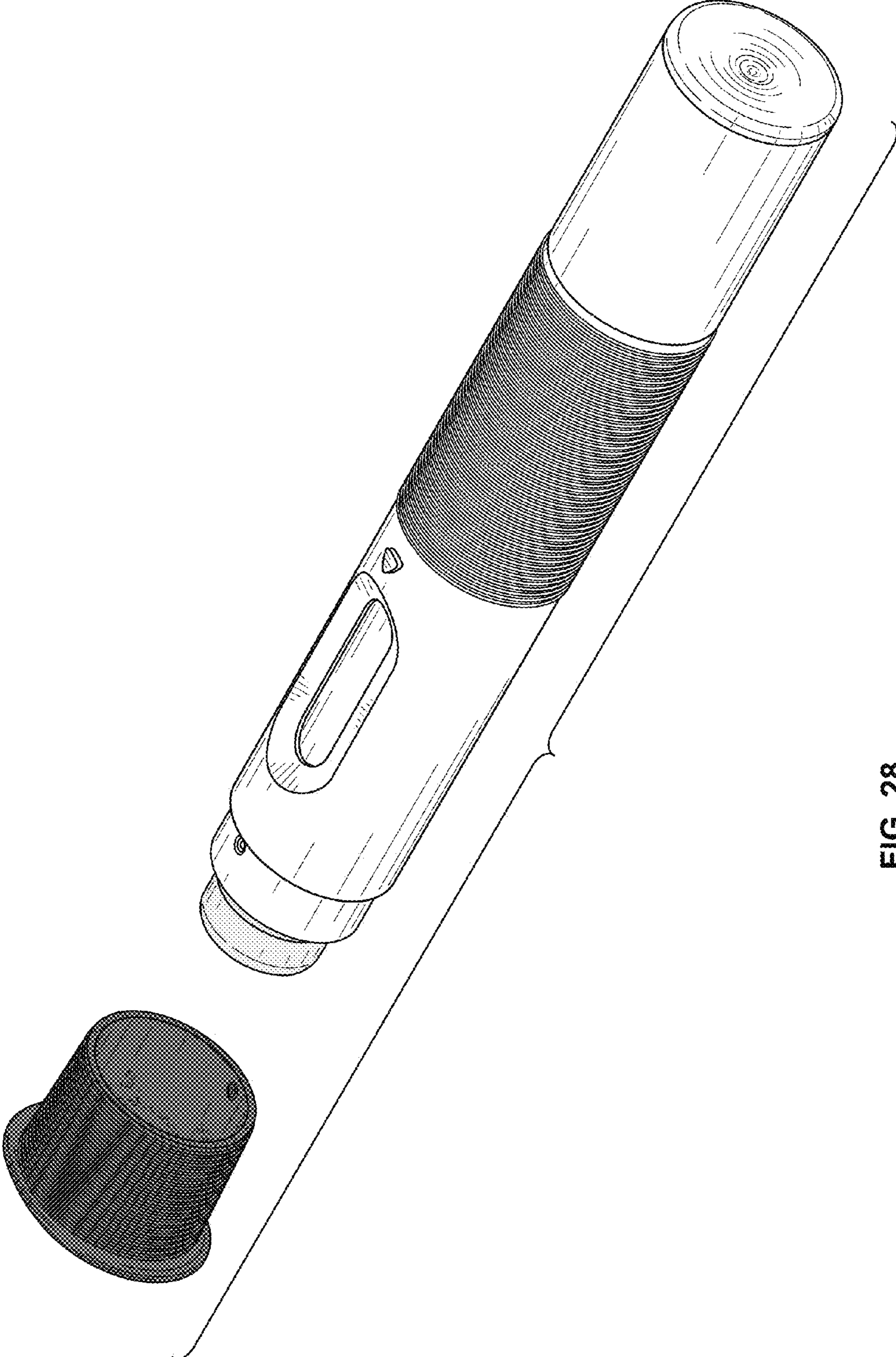


FIG. 28

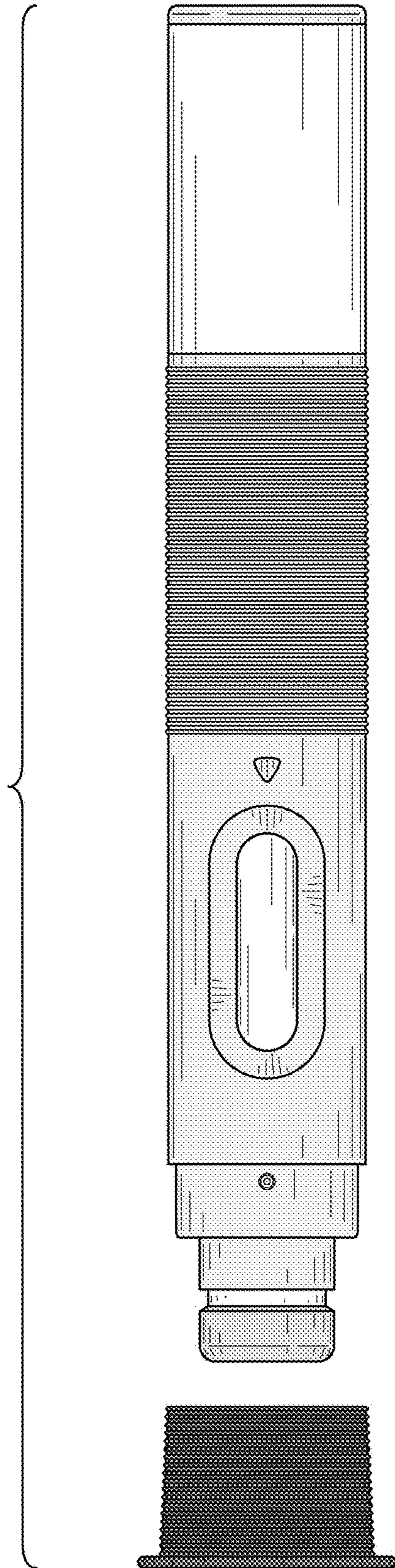


FIG. 29

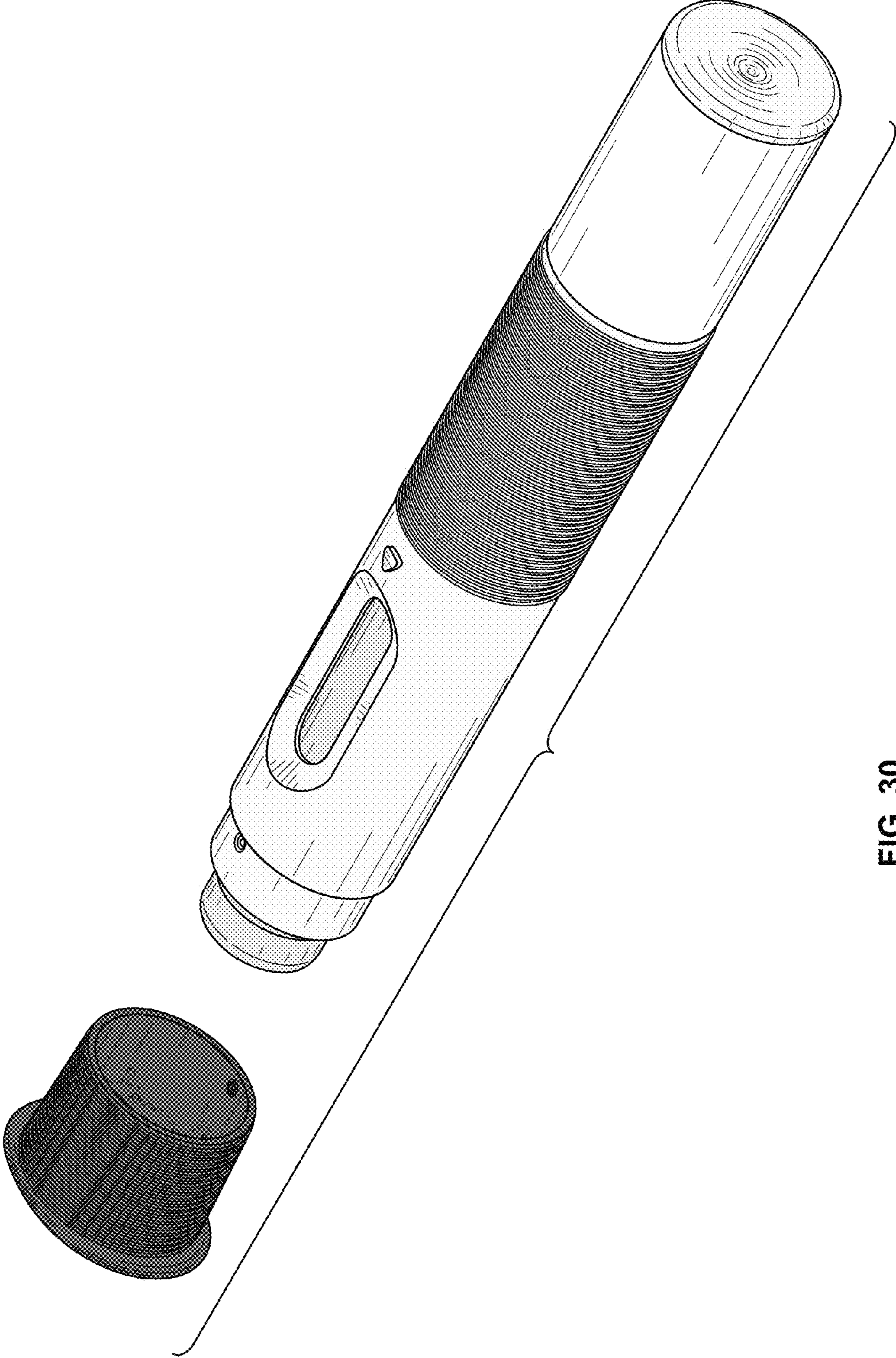


FIG. 30

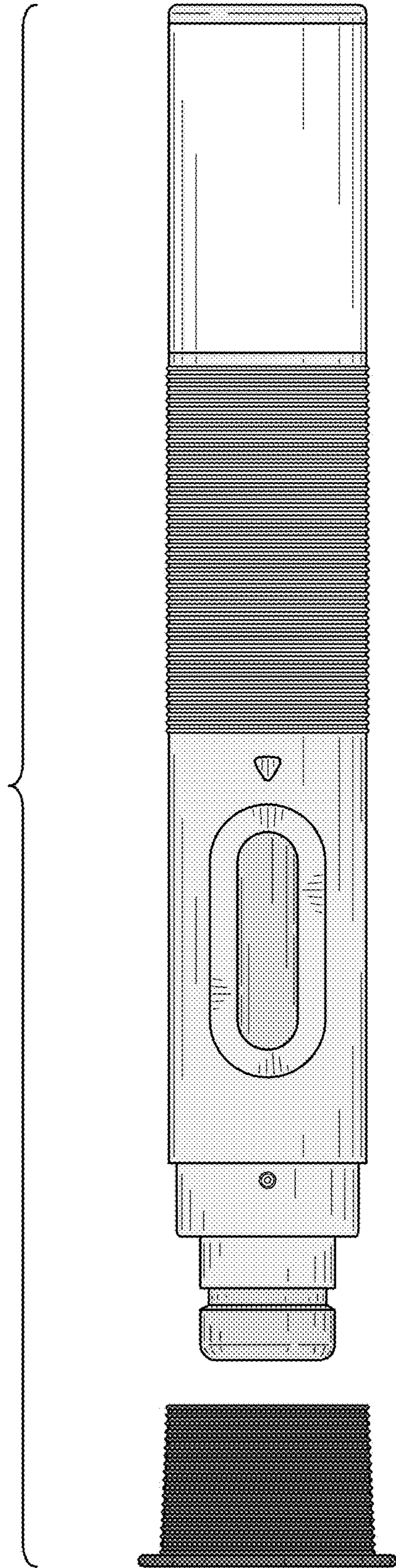


FIG. 31