



US00D827127S

(12) **United States Design Patent** (10) **Patent No.:** **US D827,127 S**  
**Donnelly** (45) **Date of Patent:** **\*\* Aug. 28, 2018**

(54) **INJECTOR PEN**  
(71) Applicant: **TEVA PHARMACEUTICAL INDUSTRIES LTD.**, Petach-Tikva (IL)  
(72) Inventor: **Mathew Donnelly**, Stockport (GB)  
(73) Assignee: **Teva Pharmaceutical Industries Ltd.**, Petach-Tikva (IL)  
(\*\*) Term: **15 Years**

D627,061 S \* 11/2010 Van der Stappen ..... D24/113  
D639,337 S \* 6/2011 Hung ..... D19/117  
D656,545 S \* 3/2012 Hung ..... D19/117  
D660,958 S \* 5/2012 McLoughlin ..... D24/113  
D688,792 S \* 8/2013 Guarraia ..... D24/113  
D698,863 S \* 2/2014 Ryan ..... D19/123  
D707,351 S \* 6/2014 Kunze ..... D24/112  
D707,352 S \* 6/2014 Liu ..... D24/113  
D728,782 S \* 5/2015 Dubuc ..... D24/113  
D732,161 S \* 6/2015 Ohashi ..... D24/113  
D758,568 S \* 6/2016 Wohlfahrt ..... D24/113  
D773,648 S \* 12/2016 Wohlfahrt ..... D24/113  
D775,279 S \* 12/2016 Shen ..... D19/117

(Continued)

(21) Appl. No.: **29/587,652**  
(22) Filed: **Dec. 14, 2016**  
(51) **LOC (11) Cl.** ..... **24-02**  
(52) **U.S. Cl.**  
USPC ..... **D24/113**  
(58) **Field of Classification Search**  
USPC ..... D24/112-114, 133, 186, 127-131;  
606/181, 185; 604/264, 272, 115, 232,  
604/187, 158, 164.08, 192, 263, 163, 181,  
604/184, 198, 227; 600/101, 139, 143;  
128/200.24, 207.14, 207.15;  
D19/115-123, 177, 193  
CPC ..... A61M 5/3156; A61M 5/31591; A61M  
5/3155; A61M 5/3157; A61M 5/24;  
A61M 5/31501; A61M 5/31551; A61M  
5/31585; A61M 2005/2407; A61M  
2005/2492; A61M 2205/581; A61M  
2205/582  
See application file for complete search history.

*Primary Examiner* — David Muller  
*Assistant Examiner* — Nathan Johnston  
(74) *Attorney, Agent, or Firm* — Sterne, Kessler,  
Goldstein & Fox P.L.L.C.

(57) **CLAIM**

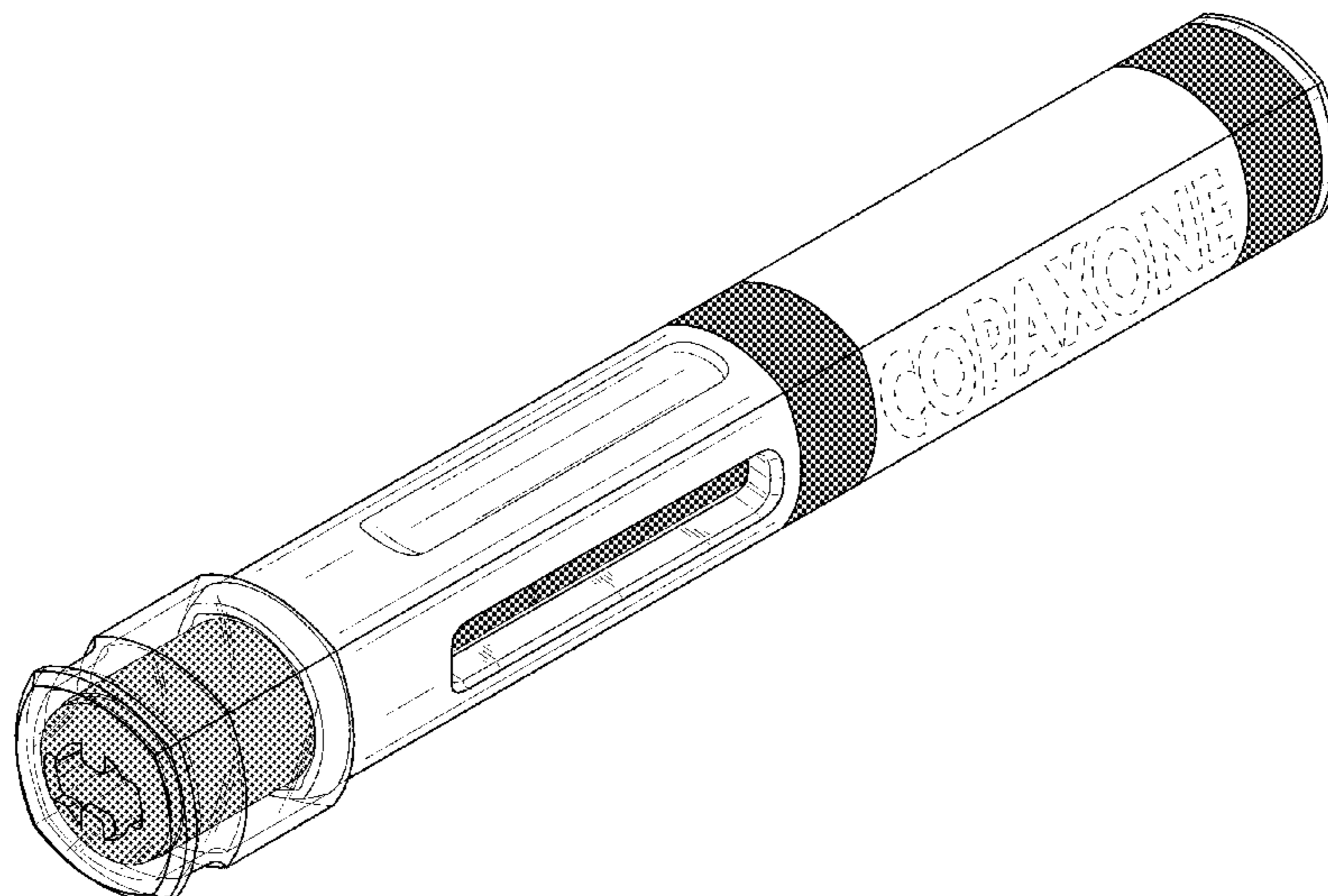
The ornamental design for an injector pen, as shown and described.

**DESCRIPTION**

FIG. 1 is a top front perspective view of an injector pen showing the claimed design;  
FIG. 2 is a front view thereof;  
FIG. 3 is a rear view thereof;  
FIG. 4 is a left side view thereof;  
FIG. 5 is a right side view thereof;  
FIG. 6 is a top view thereof; and,  
FIG. 7 is a bottom view thereof.  
The broken lines in the figures show portions of the injector pen that form no part of the claimed design.  
The oblique shade lines in the figures show a transparent, reflective, or shiny surface, and not surface ornamentation.  
FIGS. 1-7 are illustrated to show contrasting appearance. Areas of the injector pen that appear in different shades of gray represent areas with contrasting appearances. No particular shade or hue is claimed.

**1 Claim, 6 Drawing Sheets**

(56) **References Cited**  
U.S. PATENT DOCUMENTS  
D324,423 S \* 3/1992 Ahlstrand ..... D24/112  
5,478,316 A \* 12/1995 Bitdinger ..... A61M 5/2033  
604/134  
D580,489 S \* 11/2008 Ma ..... D19/117  
D585,489 S \* 1/2009 Han ..... D19/117  
D619,650 S \* 7/2010 Shi ..... D19/117  
D622,374 S \* 8/2010 Julian ..... D24/113



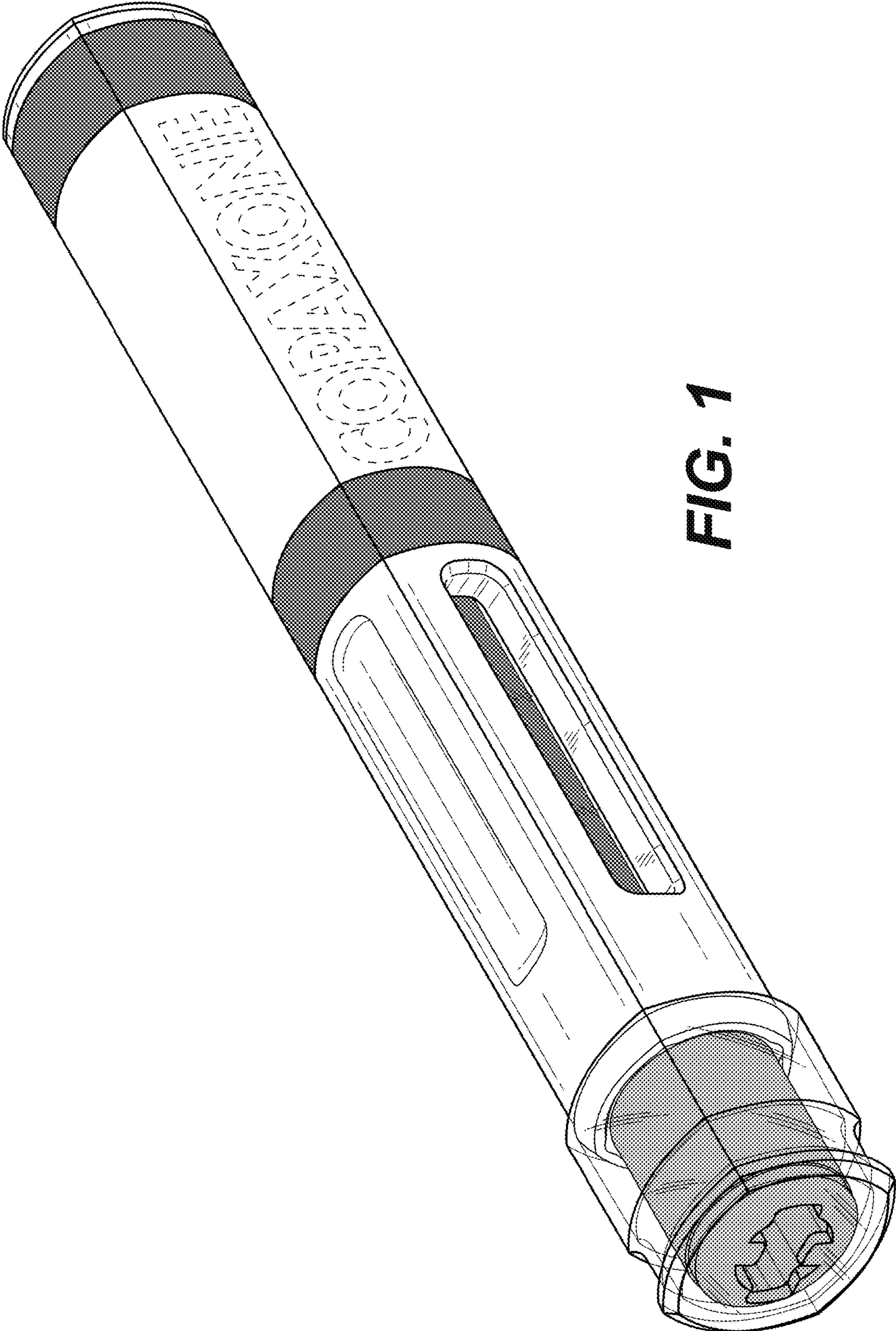
(56)

**References Cited**

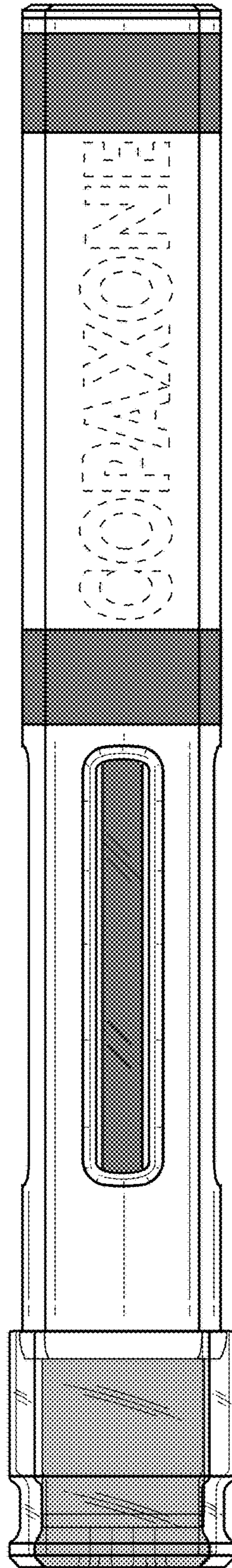
U.S. PATENT DOCUMENTS

D780,909 S \* 3/2017 Burkett ..... D24/113  
D793,547 S \* 8/2017 Burkett ..... D24/112  
D794,777 S \* 8/2017 Daniel ..... D24/113  
2012/0123350 A1\* 5/2012 Giambattista ..... A61M 5/2033  
604/198  
2013/0035645 A1\* 2/2013 Bicknell ..... A61M 5/20  
604/198  
2014/0243753 A1\* 8/2014 Bostrom ..... A61M 5/3202  
604/198  
2014/0343507 A1\* 11/2014 Karlsson ..... A61M 5/2466  
604/198

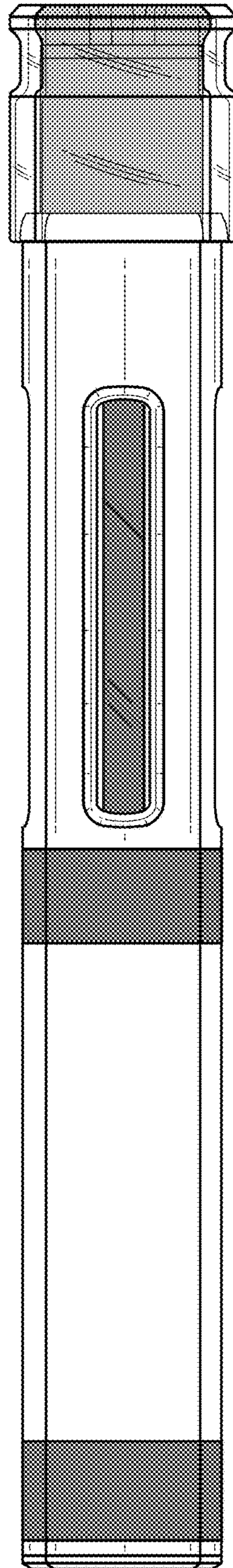
\* cited by examiner



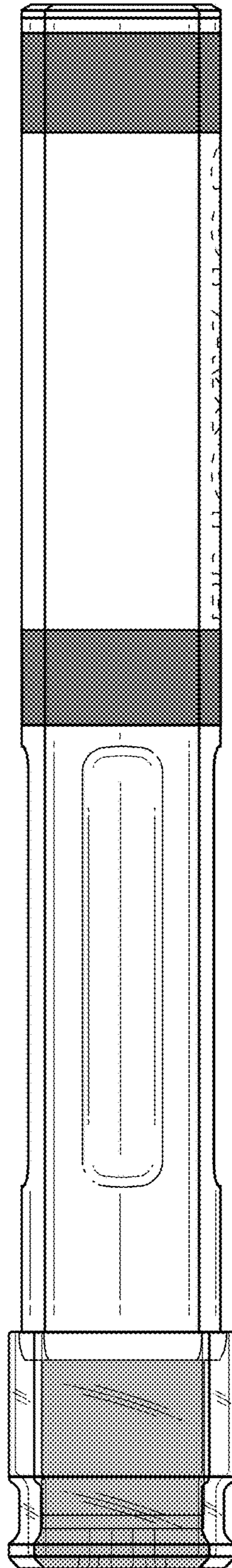
**FIG. 1**



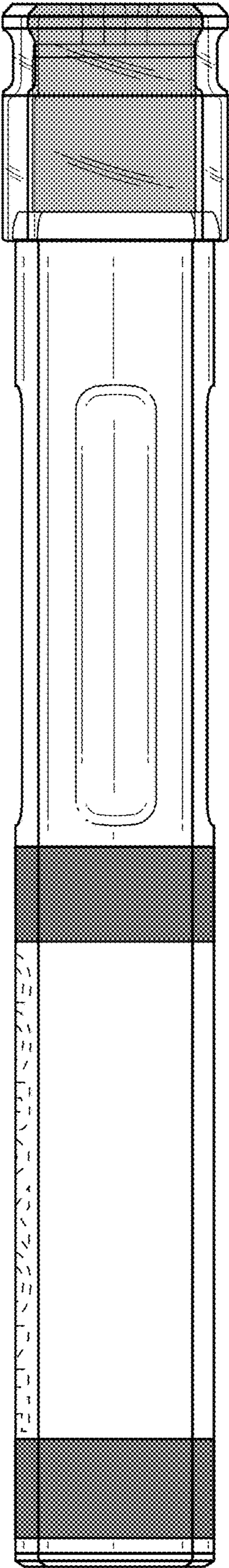
**FIG. 2**



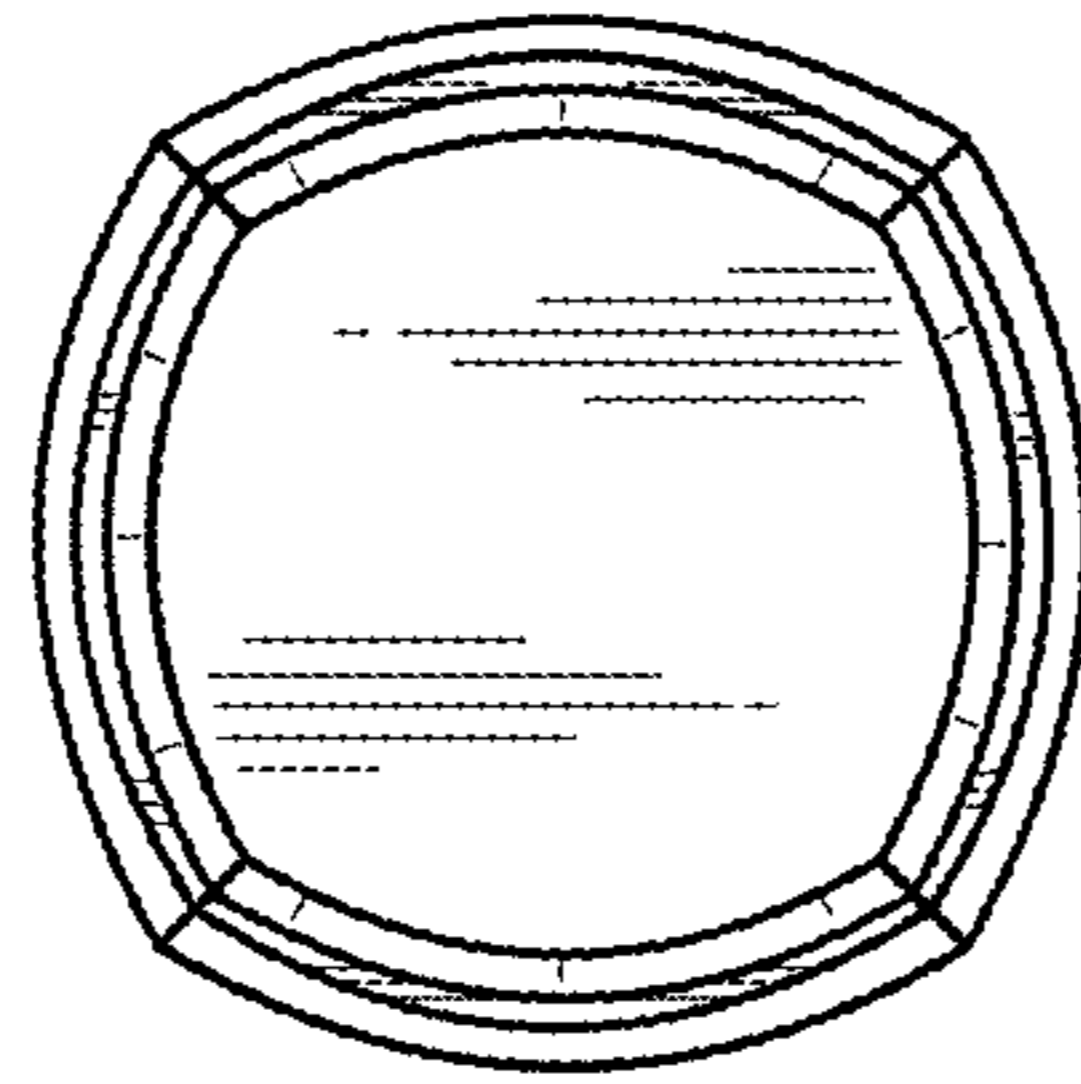
**FIG. 3**



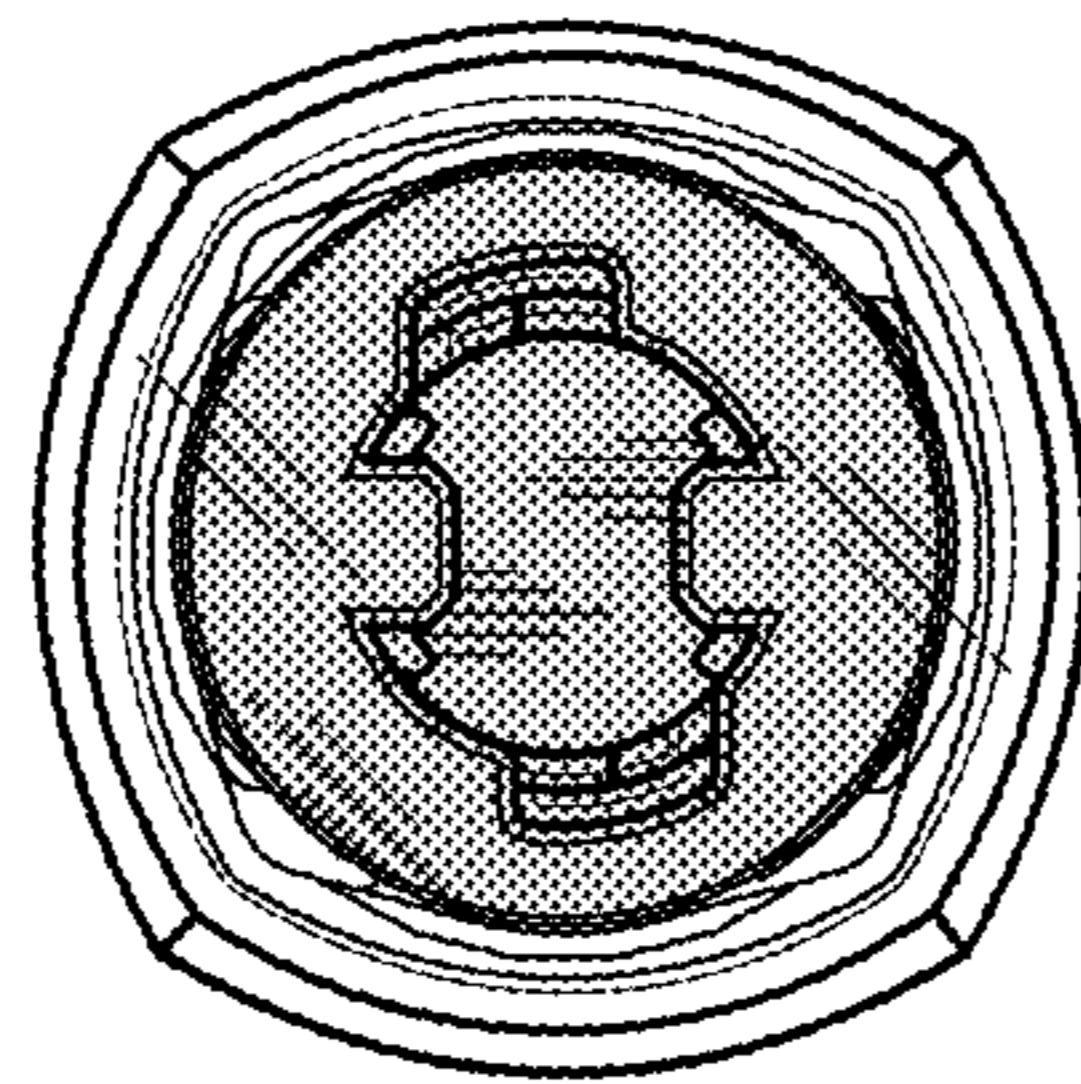
**FIG. 4**



**FIG. 5**



**FIG. 7**



**FIG. 6**