



US00D827126S

(12) **United States Design Patent**  
**Nilsson et al.**

(10) **Patent No.:** **US D827,126 S**  
(45) **Date of Patent:** **\*\* Aug. 28, 2018**

(54) **MASK FOR RESPIRATORY THERAPIES**

(71) Applicant: **NEORES AB**, Oestersund (SE)

(72) Inventors: **Kjell Nilsson**, Oestersund (SE);  
**Thomas Drevhammar**, Oestersund (SE)

(73) Assignee: **NEORES AB**, Oestersund (SE)

(\*\*) Term: **15 Years**

(21) Appl. No.: **29/557,371**

(22) Filed: **Mar. 8, 2016**

(30) **Foreign Application Priority Data**

Sep. 9, 2015 (EM) ..... 002769091-0001  
Sep. 9, 2015 (EM) ..... 002769091-0002  
Sep. 9, 2015 (EM) ..... 002769091-0003  
Sep. 9, 2015 (EM) ..... 002769091-0004  
Sep. 9, 2015 (EM) ..... 002769091-0005

(51) **LOC (11) Cl.** ..... **29-02**

(52) **U.S. Cl.**  
USPC ..... **D24/110.4**

(58) **Field of Classification Search**  
USPC ... D24/108, 110, 110.1, 110.4, 110.5, 110.6,  
D24/129, 164  
CPC ..... A61M 16/06; A61M 16/0666; A61M  
2205/59; A61M 16/00; A61M 16/0672  
See application file for complete search history.

(56) **References Cited**

**U.S. PATENT DOCUMENTS**

D237,219 S \* 10/1975 Kattwinkel ..... D24/110.5  
4,782,832 A \* 11/1988 Trimble ..... A61M 16/0666  
128/204.18  
5,193,532 A \* 3/1993 Moa ..... A61M 16/12  
128/204.18

5,477,852 A \* 12/1995 Landis ..... A61M 16/0666  
128/204.18  
5,687,715 A \* 11/1997 Landis ..... A61M 16/0666  
128/204.18  
2003/0000527 A1\* 1/2003 Stenzler ..... A61M 16/00  
128/204.18  
2003/0200970 A1\* 10/2003 Stenzler ..... A61M 16/0666  
128/207.18  
2004/0065330 A1\* 4/2004 Landis ..... A61M 16/06  
128/207.18  
2007/0074724 A1\* 4/2007 Duquette ..... A61M 16/0666  
128/204.18

(Continued)

**OTHER PUBLICATIONS**

Helping Babies Breathe. AWA Point.com. Date published: Jun. 2, 2017. <<https://awapoint.com/helping-babies-breathe/>> (Year: 2017).\*

(Continued)

*Primary Examiner* — Karen E Kearney  
*Assistant Examiner* — Lilyana Bekic  
(74) *Attorney, Agent, or Firm* — Sheridan Ross PC

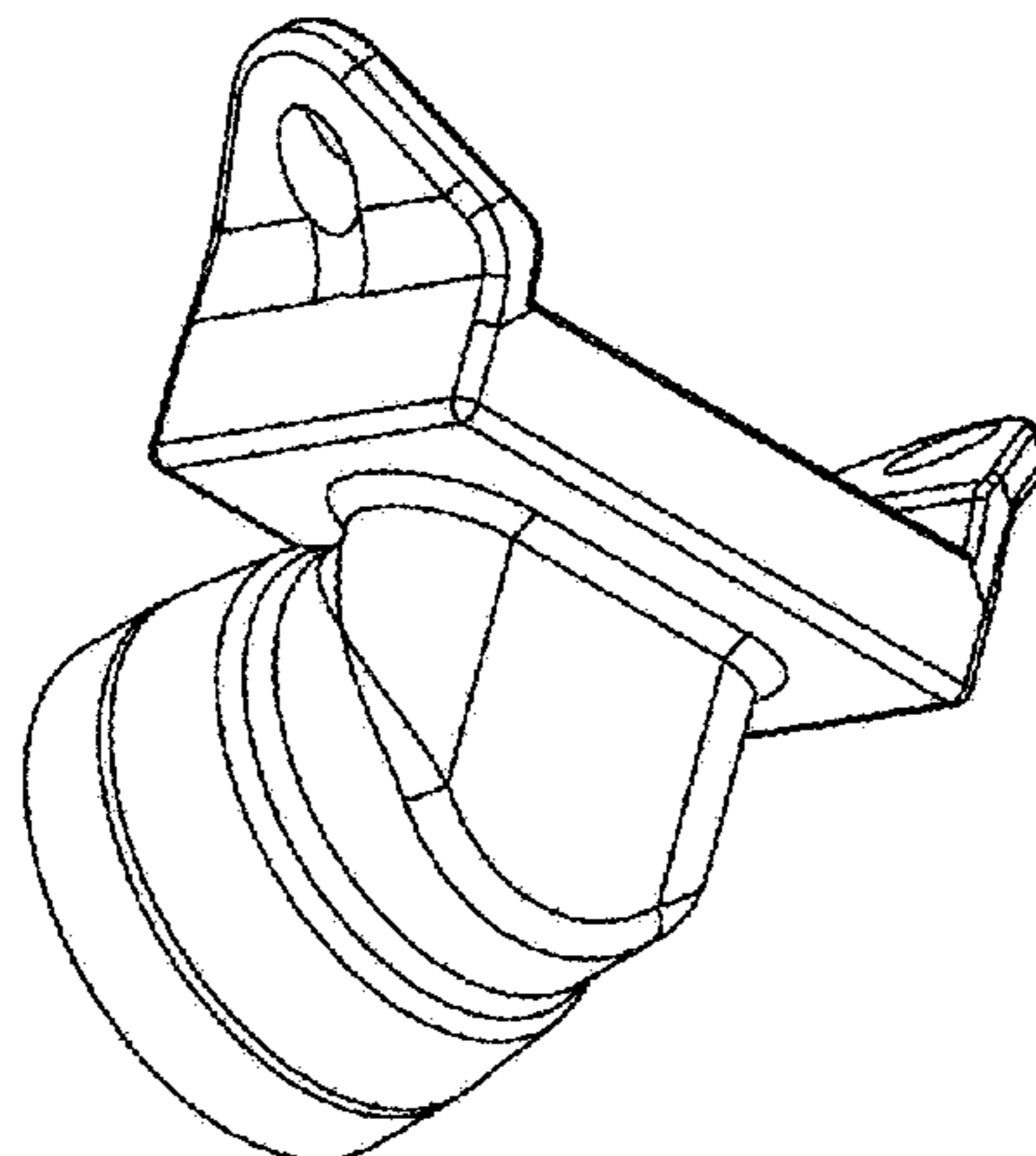
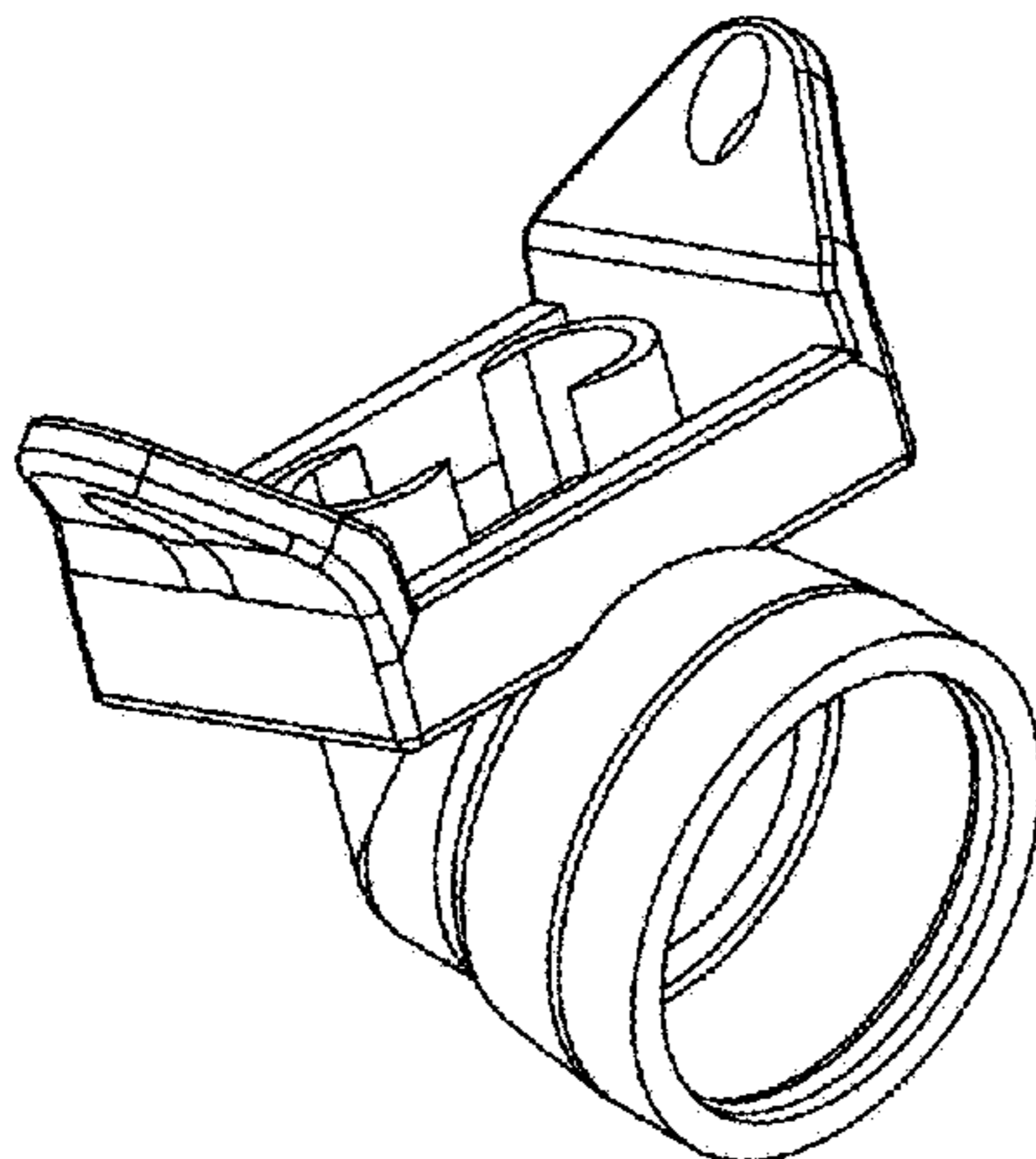
(57) **CLAIM**

The ornamental design for a mask for respiratory therapies, as shown and described.

**DESCRIPTION**

FIG. 1 is a rear oblique perspective view taken from above of the invention;  
FIG. 2 is a front oblique perspective view taken from below of the invention;  
FIG. 3 is a rear elevation view of the invention;  
FIG. 4 is a front elevation view of the invention;  
FIG. 5 is a top plan view of the invention;  
FIG. 6 is a bottom plan view of the invention;  
FIG. 7 is a right side elevation view of the invention; and,  
FIG. 8 is a left side elevation view of the invention.

**1 Claim, 4 Drawing Sheets**



(56)

**References Cited**

U.S. PATENT DOCUMENTS

2008/0295835 A1\* 12/2008 Han ..... A61M 16/0683  
128/204.18  
2008/0295846 A1\* 12/2008 Han ..... A61M 16/06  
128/207.13  
2009/0165799 A1\* 7/2009 Duquette ..... A61M 16/0666  
128/204.25  
2010/0252044 A1\* 10/2010 Duquette ..... A61M 16/0666  
128/204.25  
2011/0000487 A1\* 1/2011 Moa ..... A61M 16/0666  
128/203.12  
2012/0080033 A1\* 4/2012 Varga ..... A61M 16/00  
128/204.18  
2018/0043127 A1\* 2/2018 Matula, Jr. .... A61M 16/0816

OTHER PUBLICATIONS

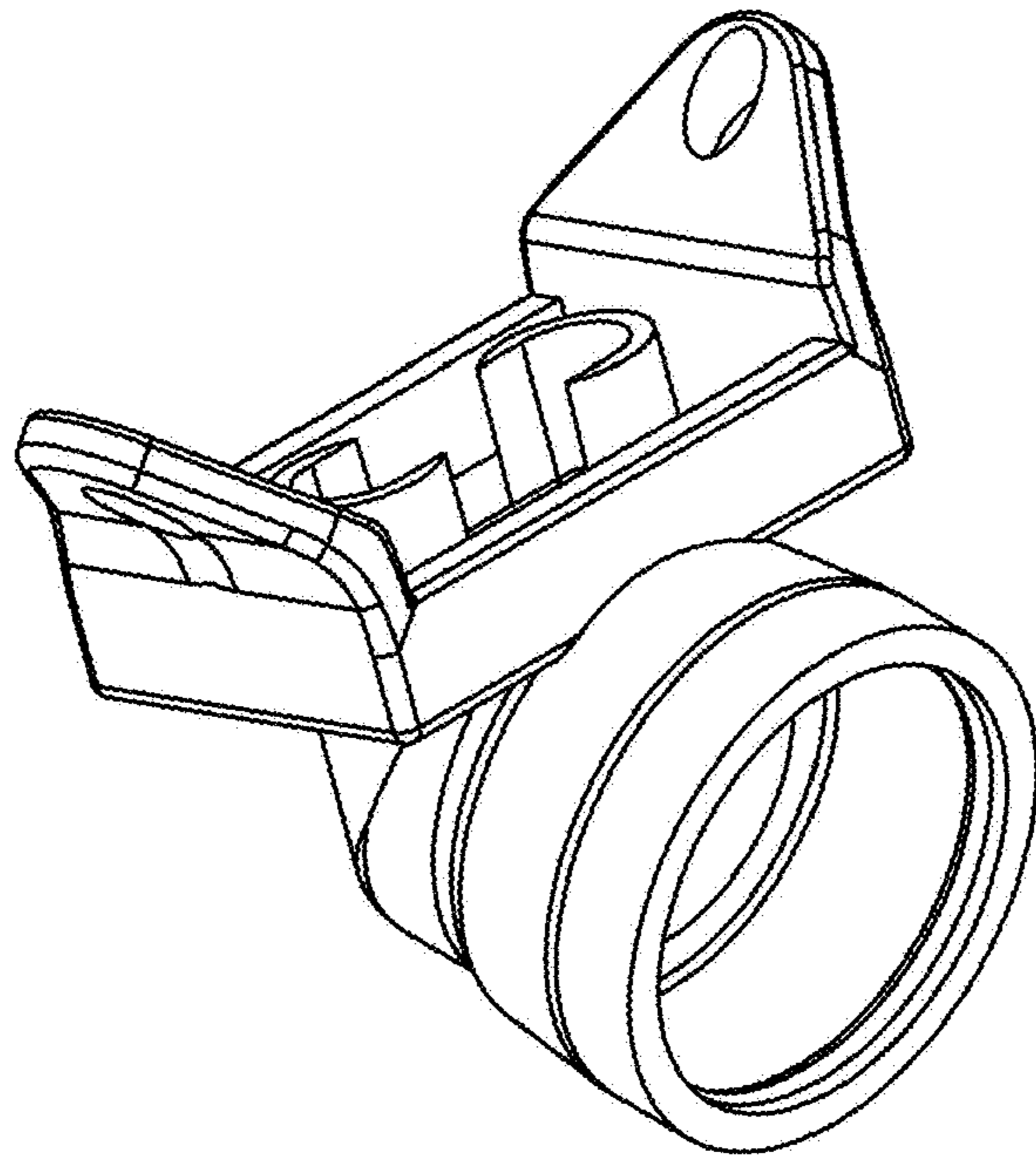
Respiratory Care. Inspire CPAP. Inspiration Healthcare. Date accessed: Mar. 21, 2018. Web. <[https:// www.inspiration-healthcare.com/products/neonatal-intensive-care/respiratory-care/inspire-ncpap](https://www.inspiration-healthcare.com/products/neonatal-intensive-care/respiratory-care/inspire-ncpap)> (Year: 2018).\*

Inspire nCPAP: Non-Invasive Respiratory Support. Inspiration Healthcare. Brochure. Date viewed: Mar. 21, 2018. (Year: 2018).\*

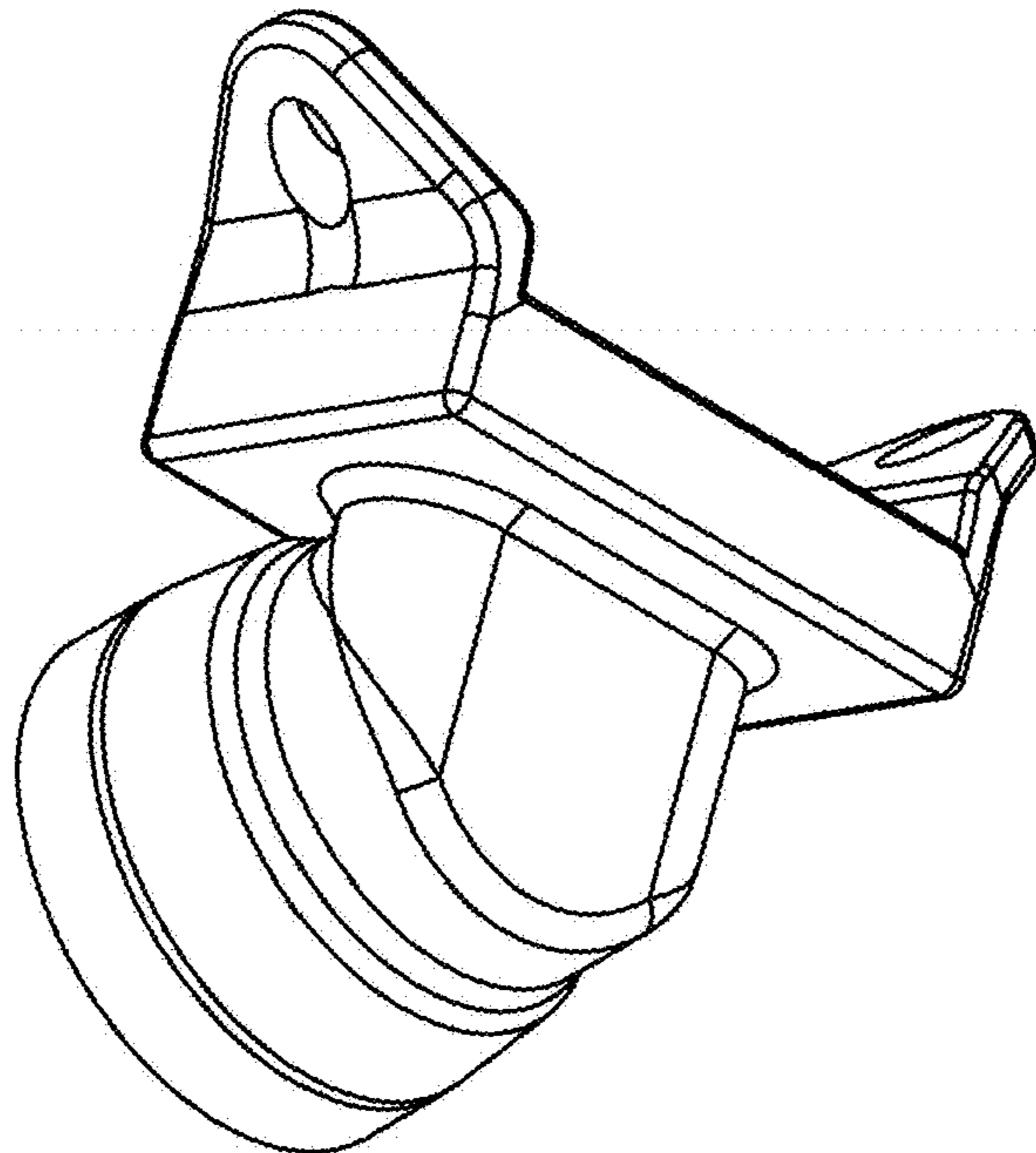
U.S. Appl. No. 29/557,363, filed Mar. 8, 2016, Nilsson et al.

U.S. Appl. No. 29/557,367, filed Mar. 8, 2016, Nilsson et al.

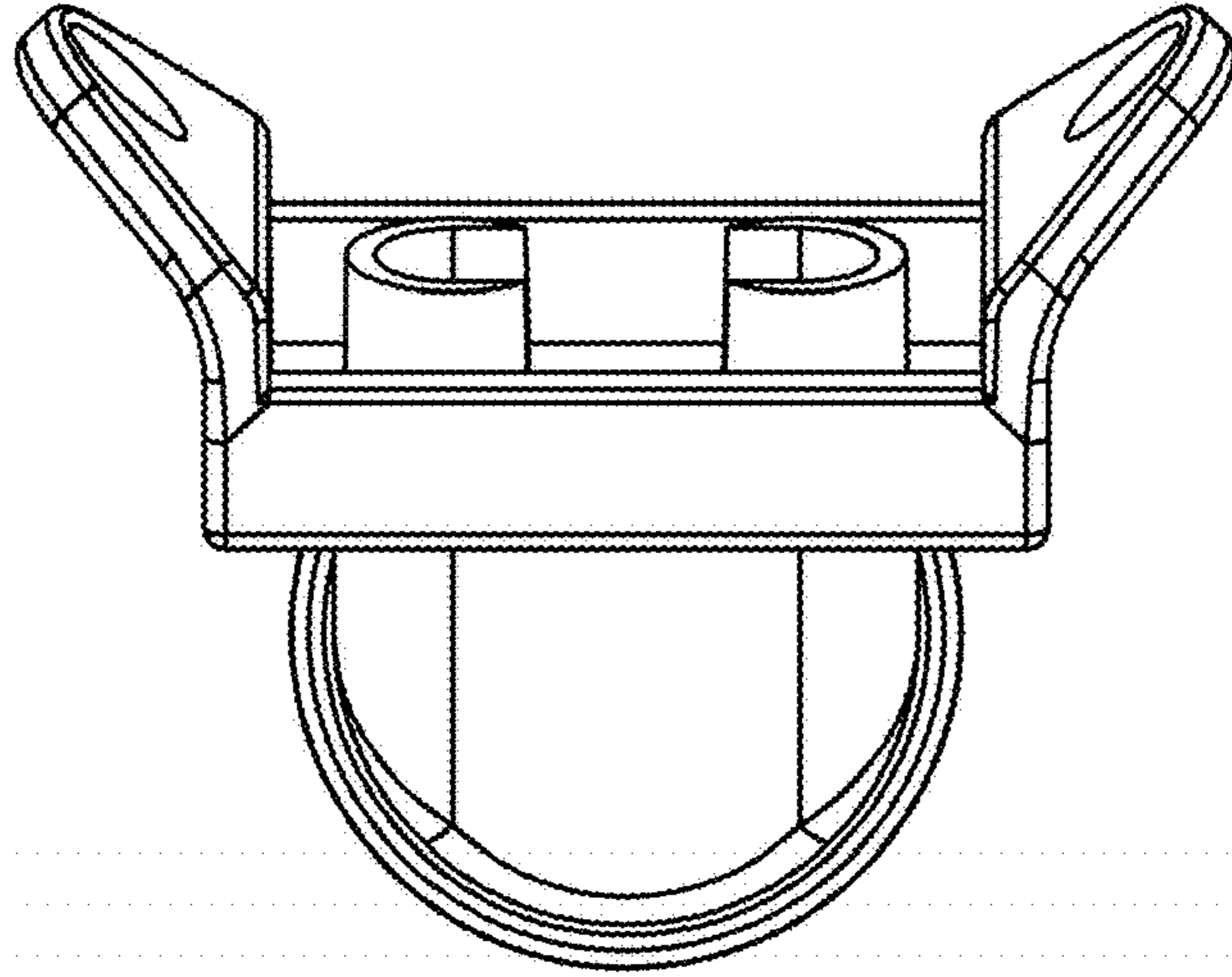
\* cited by examiner



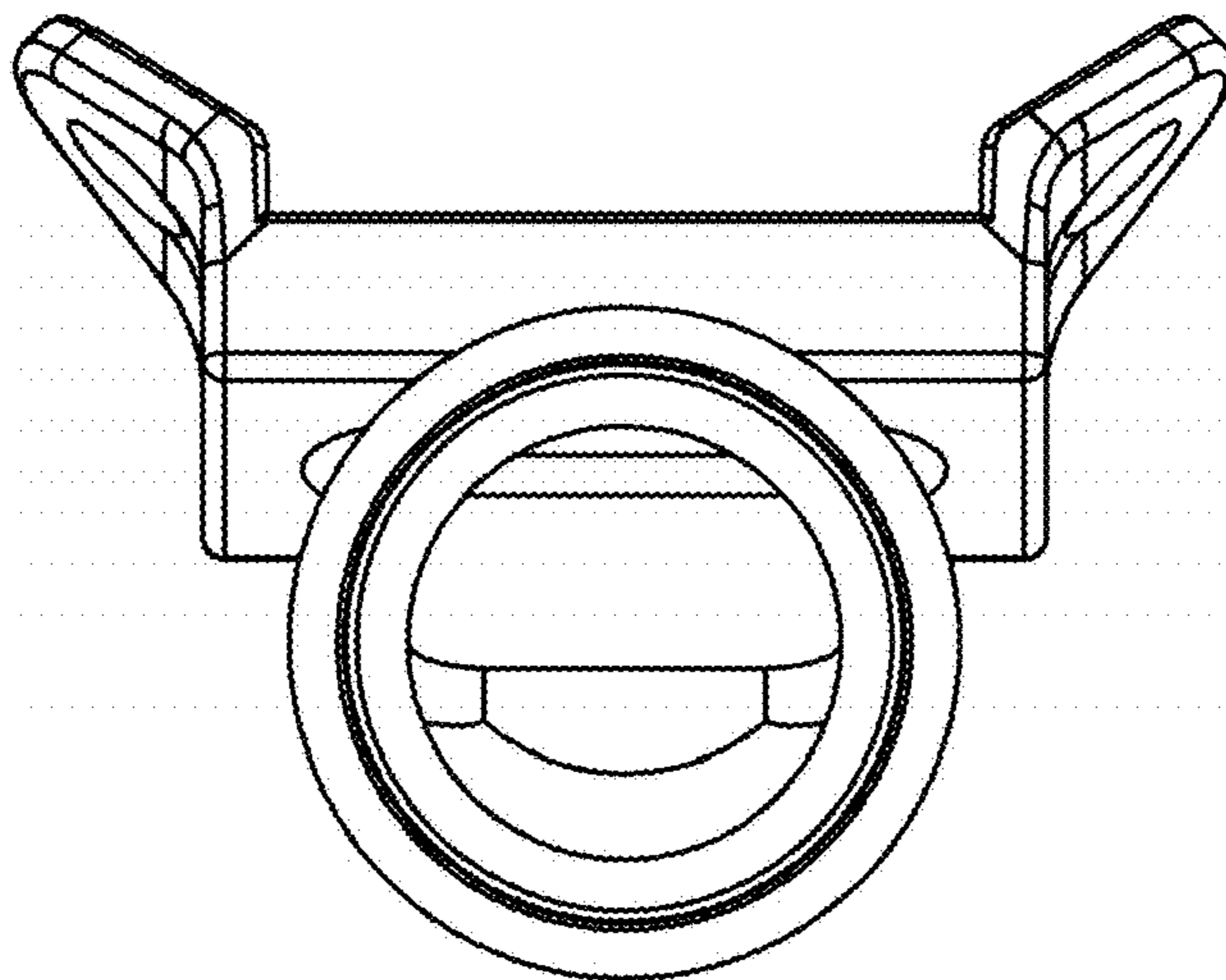
*Fig. 1*



*Fig. 2*

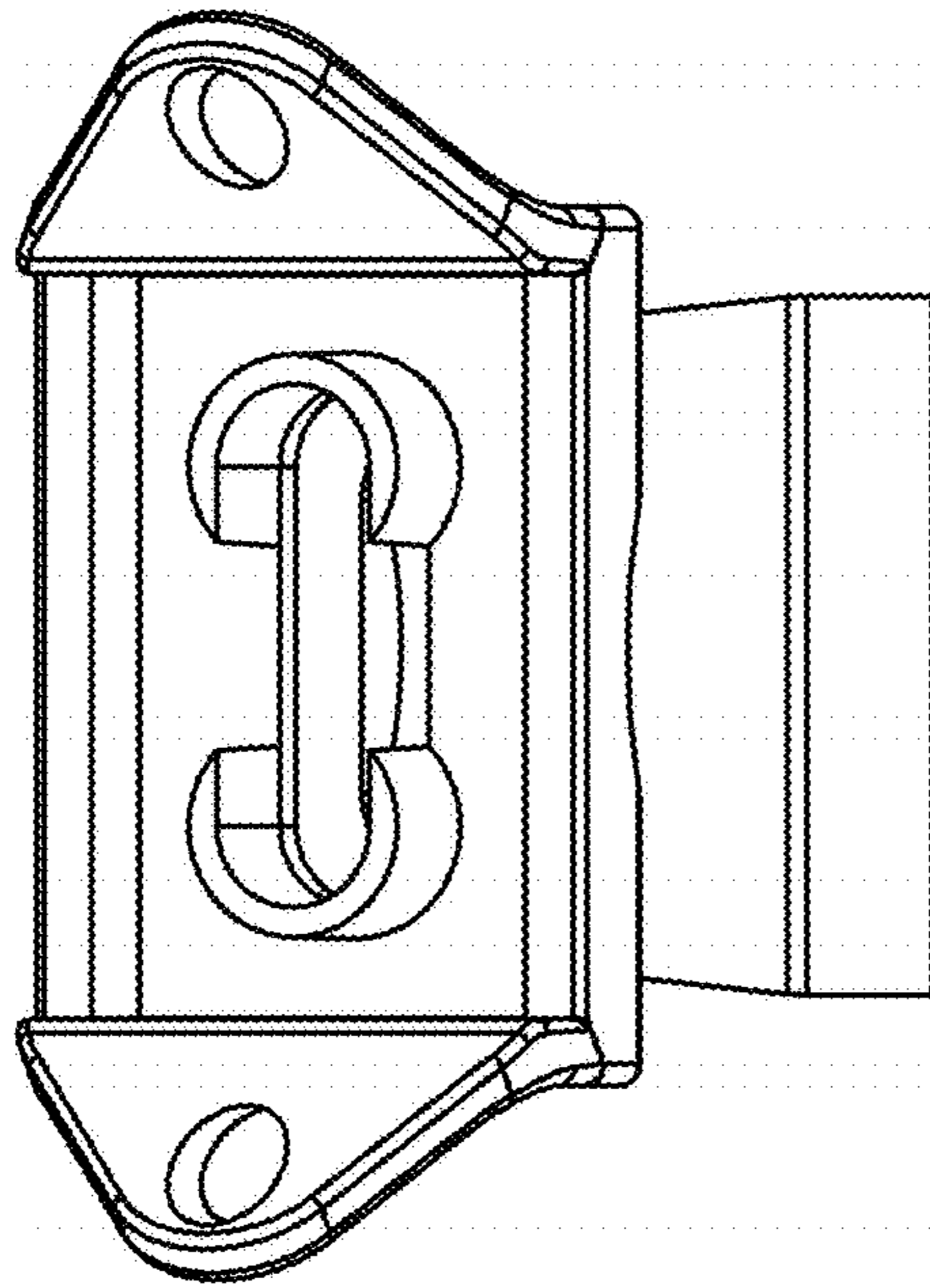


*Fig. 3*

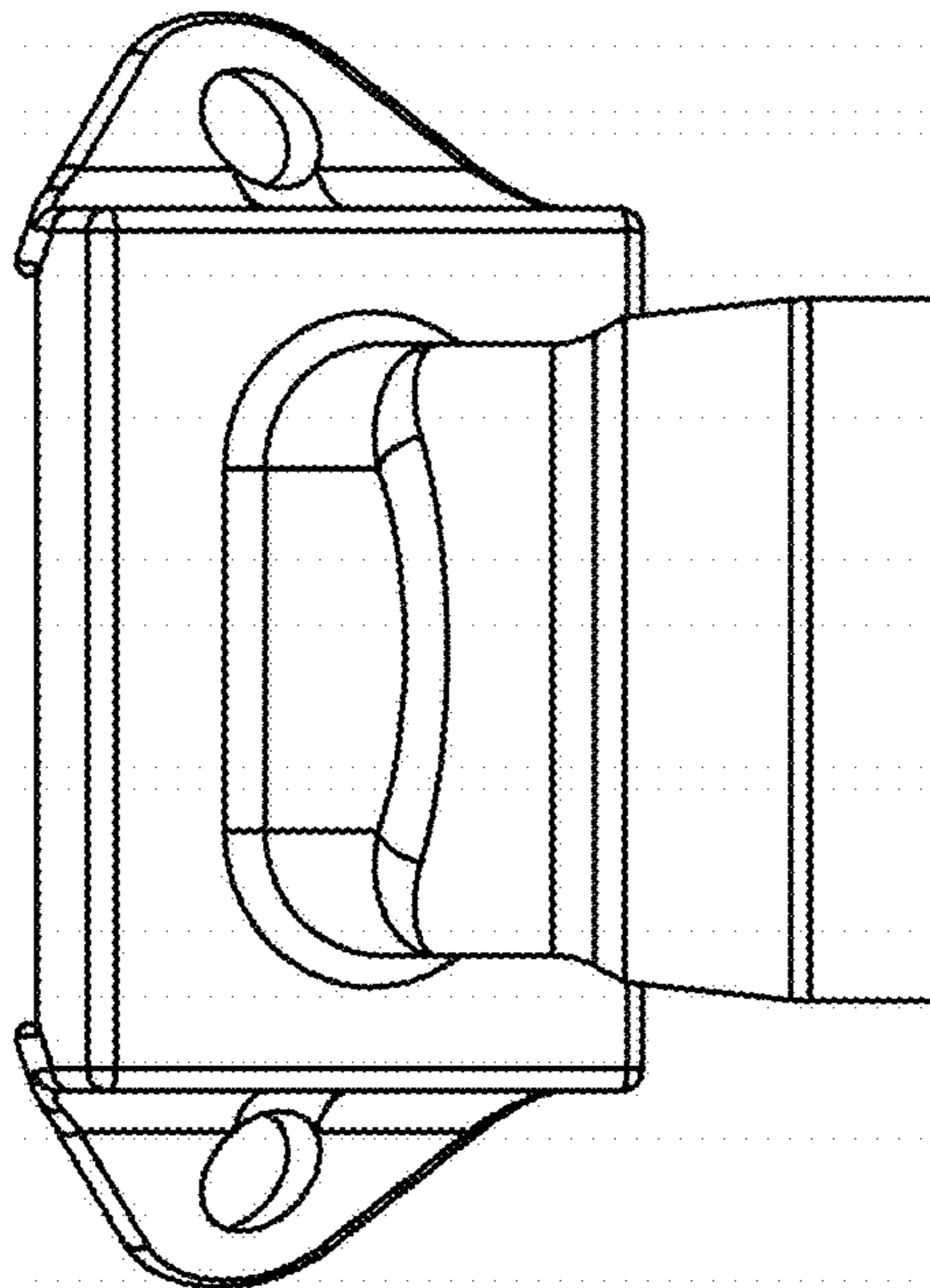


*Fig. 4*

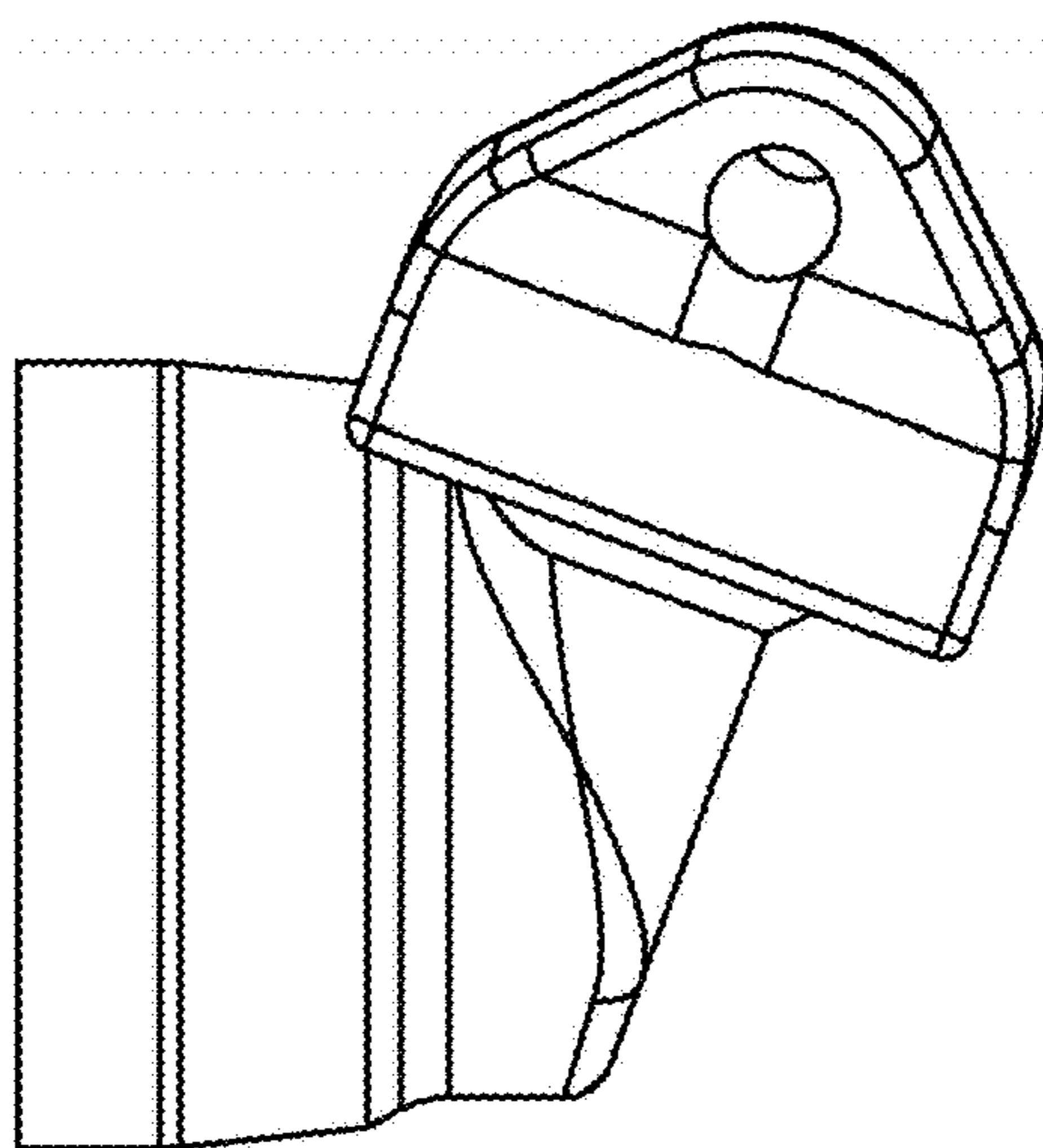




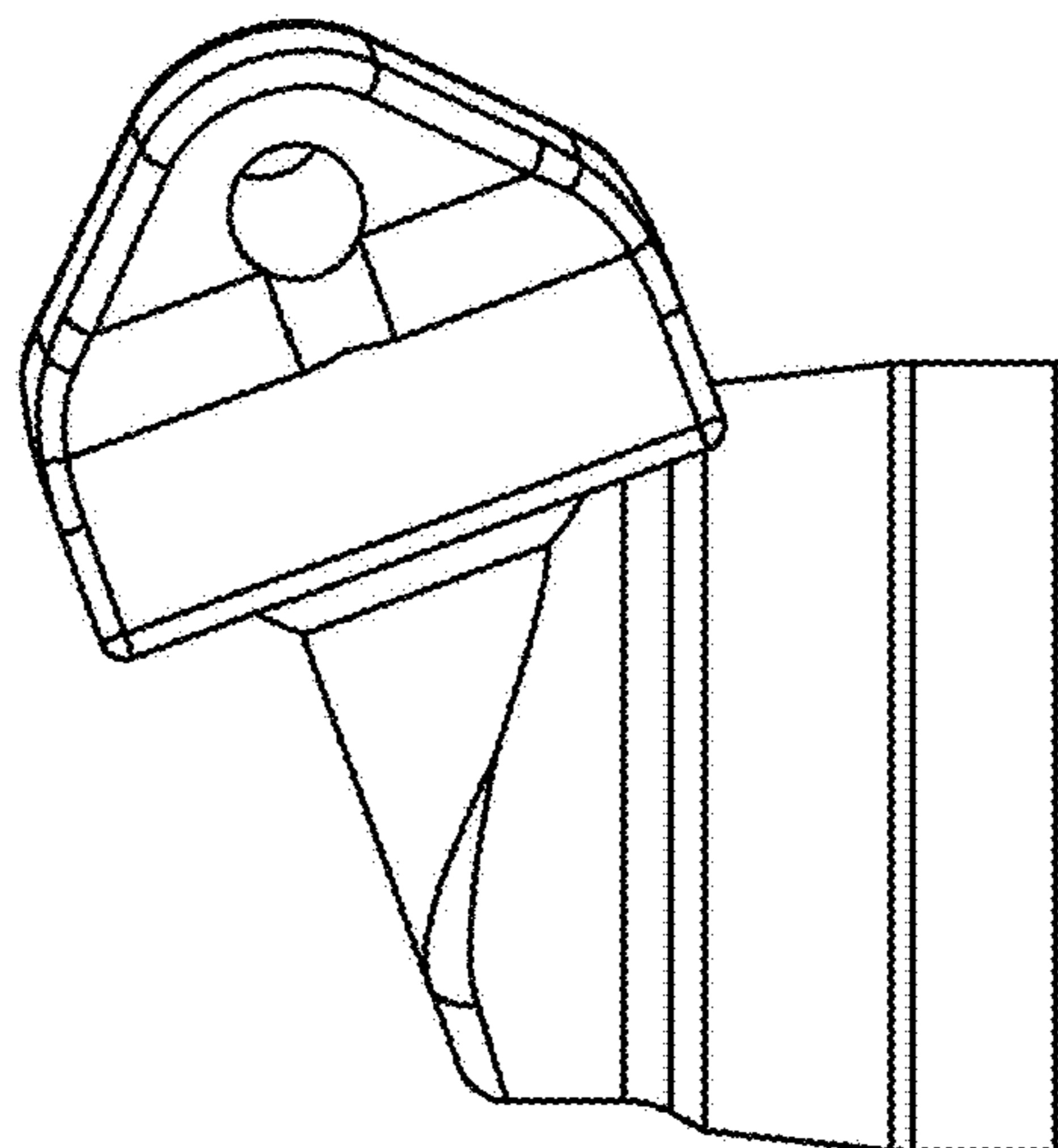
*Fig. 5*



*Fig. 6*



*Fig. 7*



*Fig. 8*