

US00D827125S

(12) **United States Design Patent**
Nilsson et al.

(10) **Patent No.:** **US D827,125 S**

(45) **Date of Patent:** **** Aug. 28, 2018**

(54) **MASK FOR RESPIRATORY THERAPIES**

(71) Applicant: **NEORES AB**, Oestersund (SE)

(72) Inventors: **Kjell Nilsson**, Oestersund (SE);
Thomas Drevhammar, Oestersund (SE)

(73) Assignee: **NEORES AB**, Oestersund (SE)

(**) Term: **15 Years**

(21) Appl. No.: **29/557,363**

(22) Filed: **Mar. 8, 2016**

(30) **Foreign Application Priority Data**

Sep. 9, 2015 (EM) 002769091-0001
Sep. 9, 2015 (EM) 002769091-0002
Sep. 9, 2015 (EM) 002769091-0003
Sep. 9, 2015 (EM) 002769091-0004
Sep. 9, 2015 (EM) 002769091-0005

(51) **LOC (11) Cl.** **29-02**

(52) **U.S. Cl.**
USPC **D24/110.4**

(58) **Field of Classification Search**
USPC ... D24/108, 110, 110.1, 110.4, 110.5, 110.6,
D24/129, 164
CPC A61M 16/06; A61M 16/0666; A61M
2205/59; A61M 16/00; A61M 16/0672
See application file for complete search history.

(56) **References Cited**

U.S. PATENT DOCUMENTS

D237,219 S * 10/1975 Kattwinkel D24/110.5
4,782,832 A * 11/1988 Trimble A61M 16/0666
128/204.18
5,193,532 A * 3/1993 Moa A61M 16/12
128/204.18

5,477,852 A * 12/1995 Landis A61M 16/0666
128/204.18
5,687,715 A * 11/1997 Landis A61M 16/0666
128/204.18
2003/0000527 A1* 1/2003 Stenzler A61M 16/00
128/204.18
2003/0200970 A1* 10/2003 Stenzler A61M 16/0666
128/207.18
2004/0065330 A1* 4/2004 Landis A61M 16/06
128/207.18
2007/0074724 A1* 4/2007 Duquette A61M 16/0666
128/204.18

(Continued)

OTHER PUBLICATIONS

Helping Babies Breathe. AWA Point.com. Date published: Jun. 2, 2017. <<https://awapoint.com/helping-babies-breathe/>> (Year: 2017).*

(Continued)

Primary Examiner — Karen E Kearney
Assistant Examiner — Lilyana Bekic
(74) *Attorney, Agent, or Firm* — Sheridan Ross PC

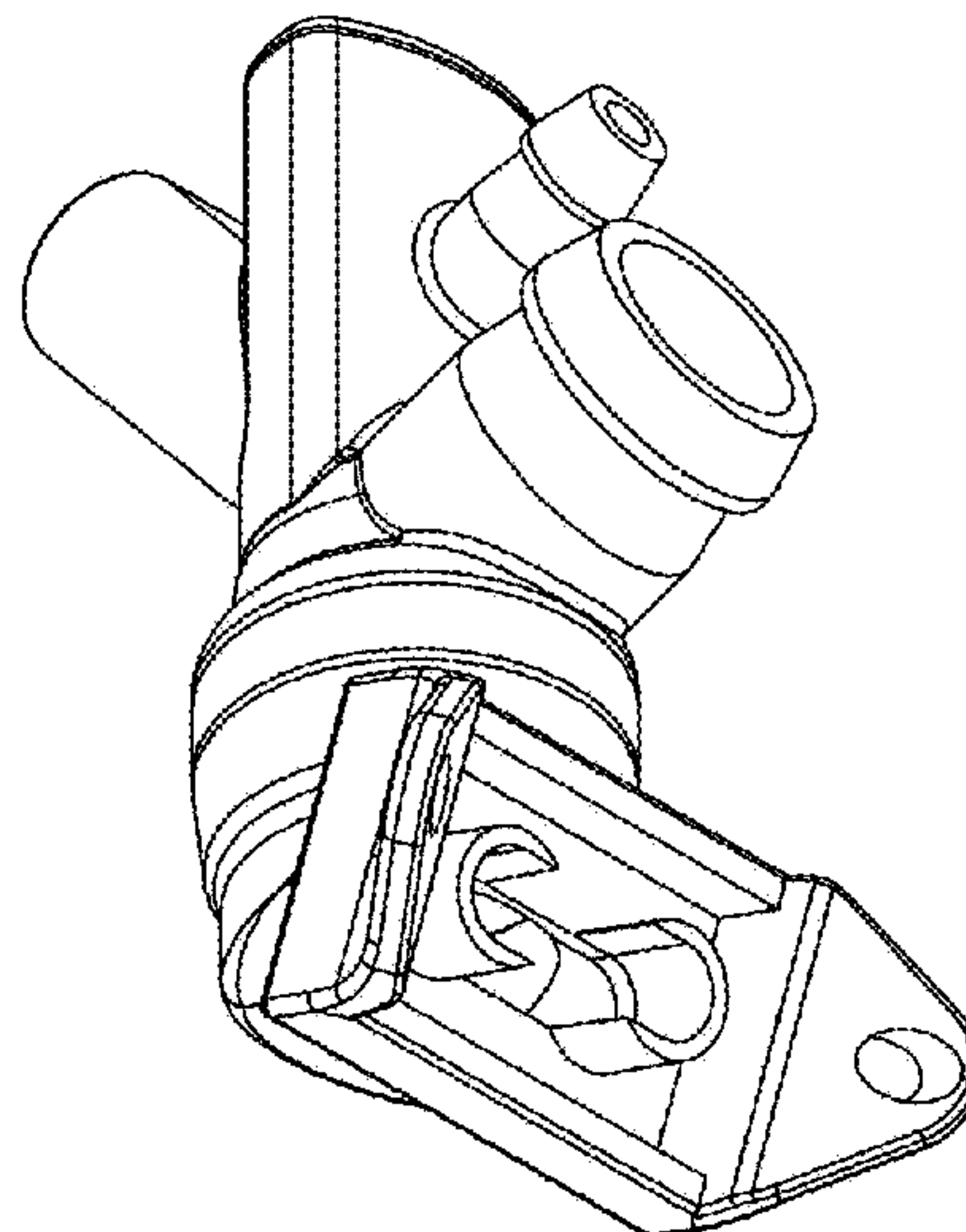
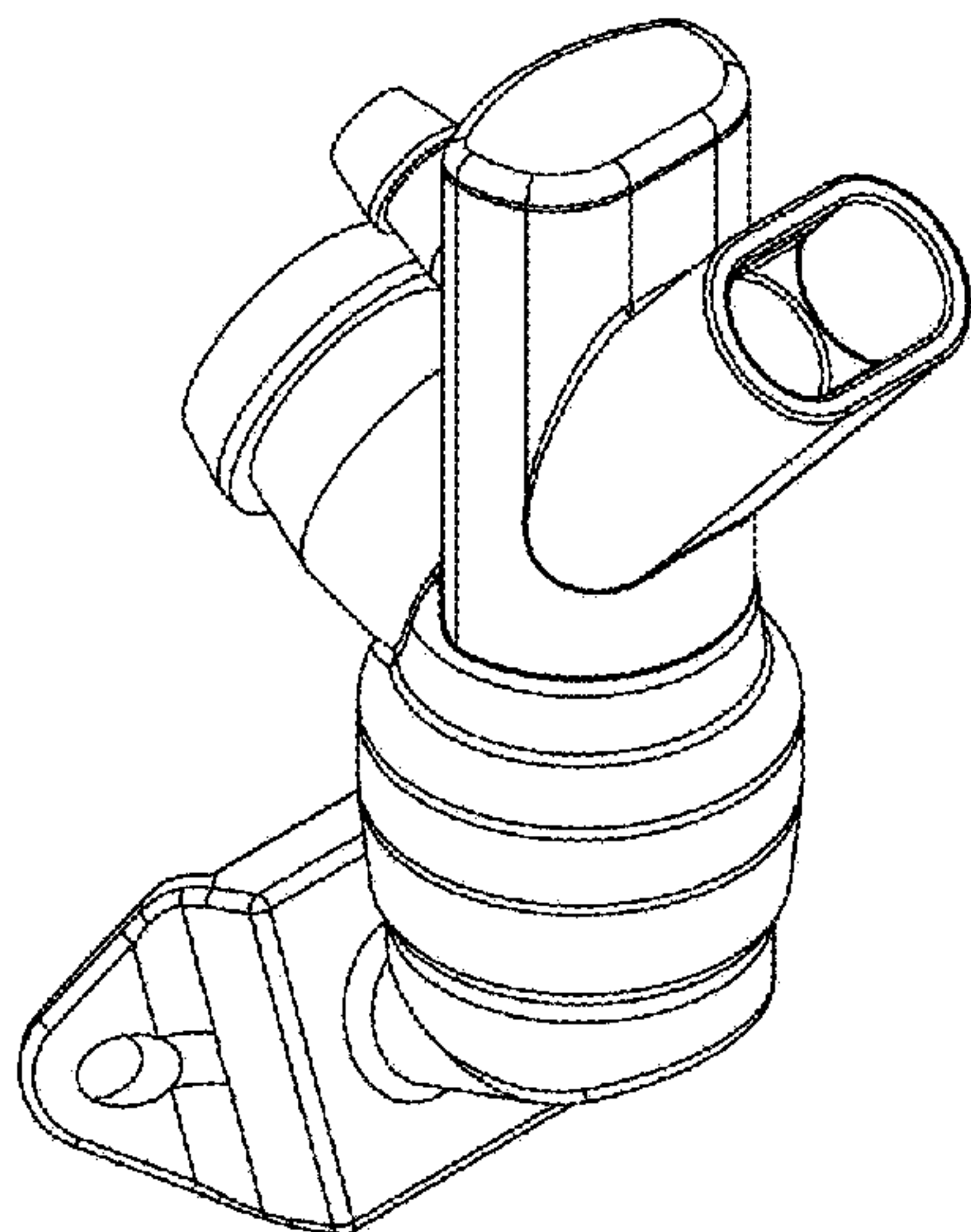
(57) **CLAIM**

The ornamental design for a mask for respiratory therapies, as shown and described.

DESCRIPTION

FIG. 1 is a front oblique perspective view taken from above of the invention;
FIG. 2 is a rear oblique perspective view taken from below of the invention;
FIG. 3 is a rear elevation view of the invention;
FIG. 4 is a front elevation view of the invention;
FIG. 5 is a top plan view of the invention;
FIG. 6 is a bottom plan view of the invention;
FIG. 7 is a right side elevation view of the invention; and,
FIG. 8 is a left side elevation view of the invention.

1 Claim, 4 Drawing Sheets



(56)

References Cited

U.S. PATENT DOCUMENTS

2008/0295835 A1* 12/2008 Han A61M 16/0683
128/204.18
2008/0295846 A1* 12/2008 Han A61M 16/06
128/207.13
2009/0165799 A1* 7/2009 Duquette A61M 16/0666
128/204.25
2010/0252044 A1* 10/2010 Duquette A61M 16/0666
128/204.25
2011/0000487 A1* 1/2011 Moa A61M 16/0666
128/203.12
2012/0080033 A1* 4/2012 Varga A61M 16/00
128/204.18
2018/0043127 A1* 2/2018 Matula, Jr. A61M 16/0816

OTHER PUBLICATIONS

Respiratory Care. Inspire CPAP. Inspiration Healthcare. Date accessed: Mar. 21, 2018. Web. <<https://www.inspiration-healthcare.com/products/neonatal-intensive-care/respiratory-care/inspire-ncpap>> (Year: 2018).*

Inspire nCPAP: Non-Invasive Respiratory Support. Inspiration Healthcare. Brochure. Date viewed: Mar. 21, 2018. (Year: 2018).*

U.S. Appl. No. 29/557,367, filed Mar. 8, 2016, Nilsson et al.

U.S. Appl. No. 29/557,371, filed Mar. 8, 2016, Nilsson et al.

* cited by examiner

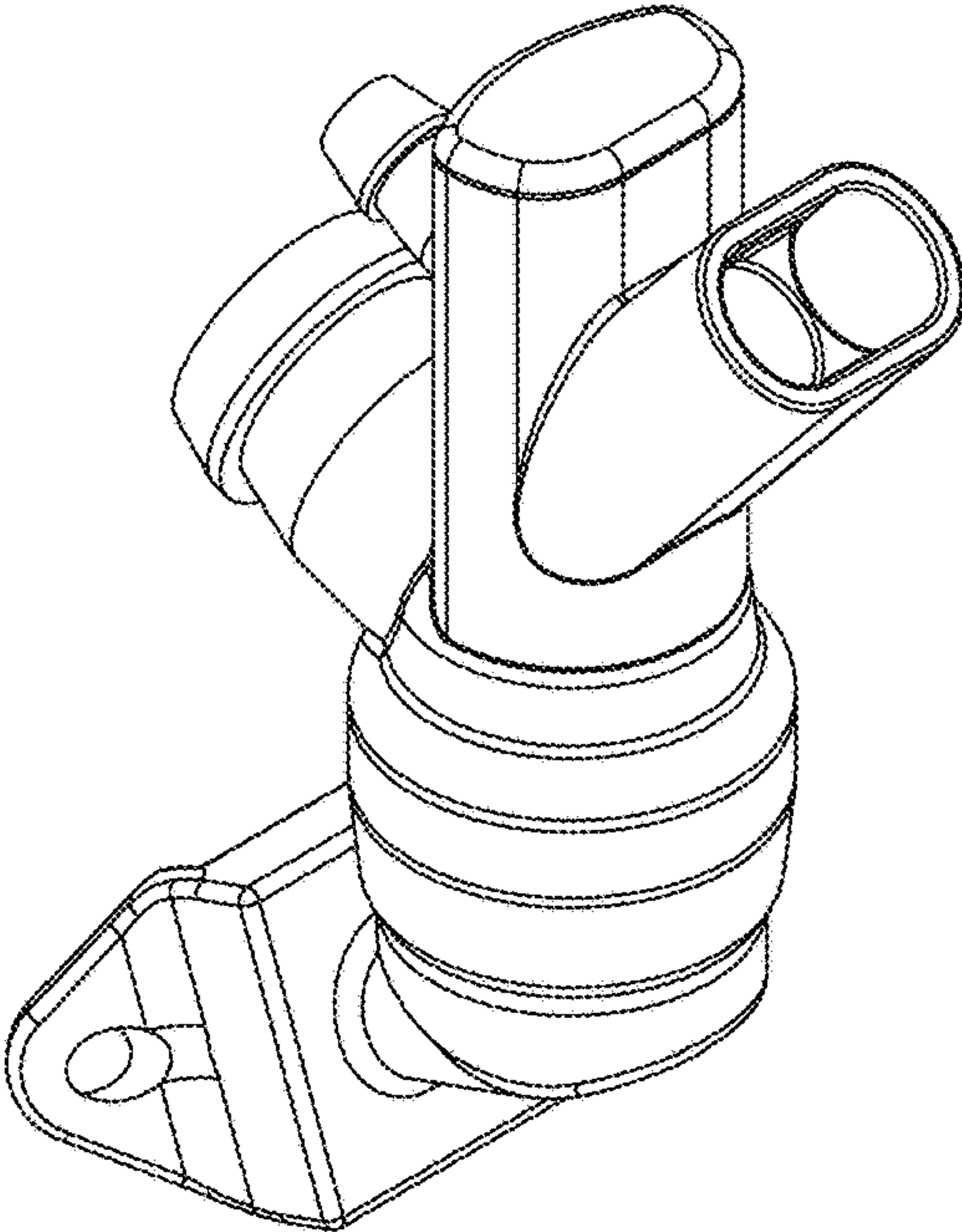


Fig. 1

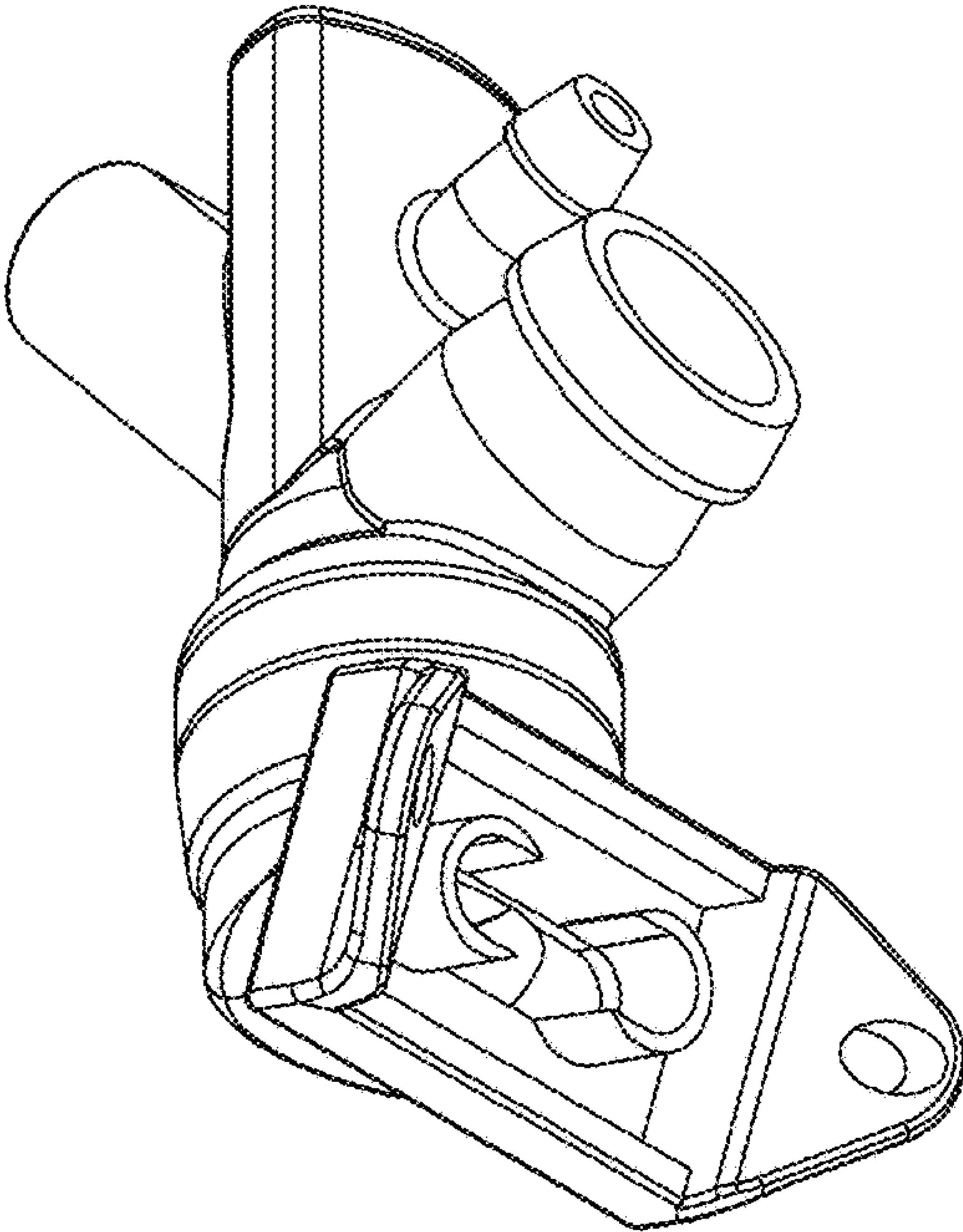


Fig. 2

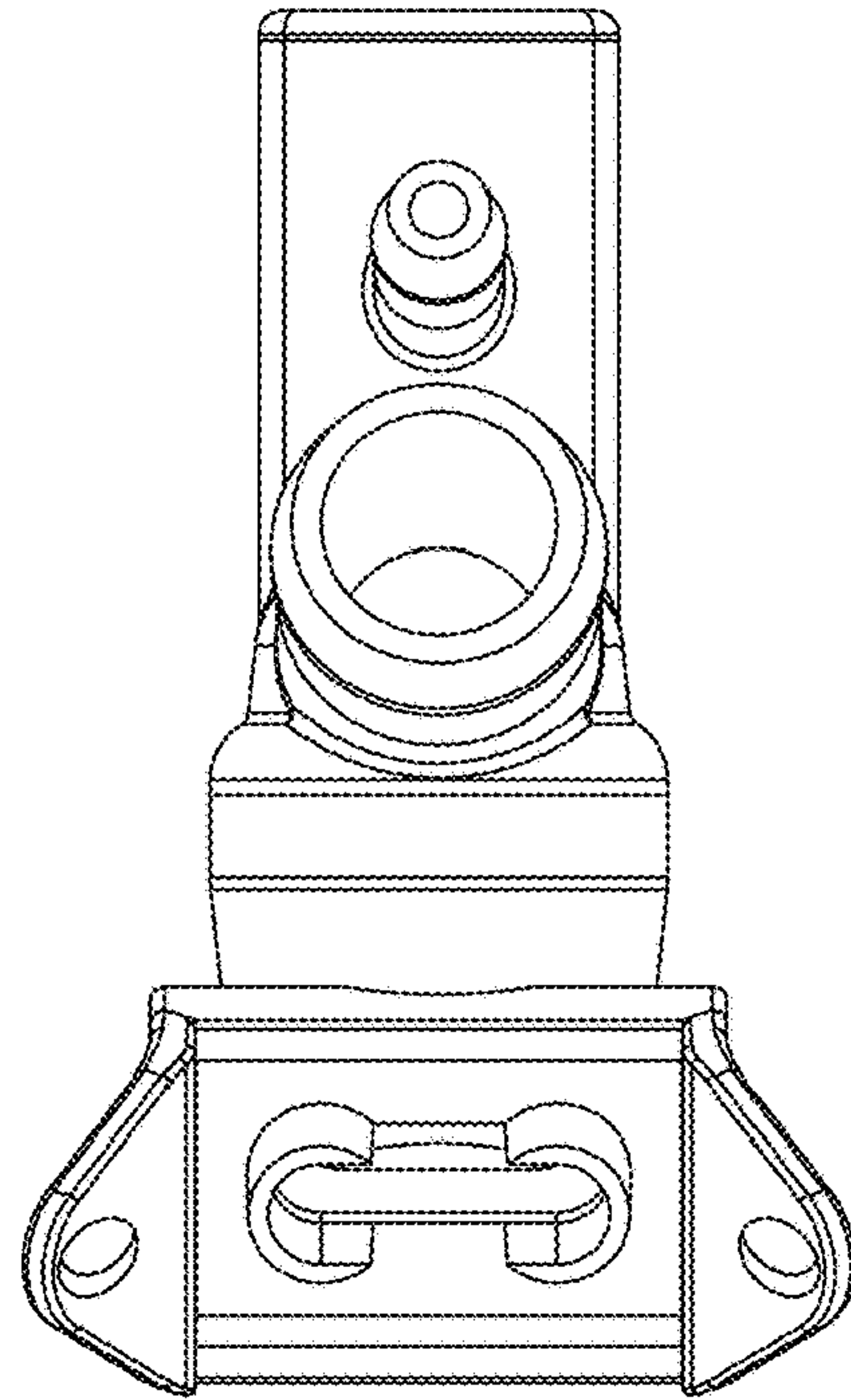


Fig. 3

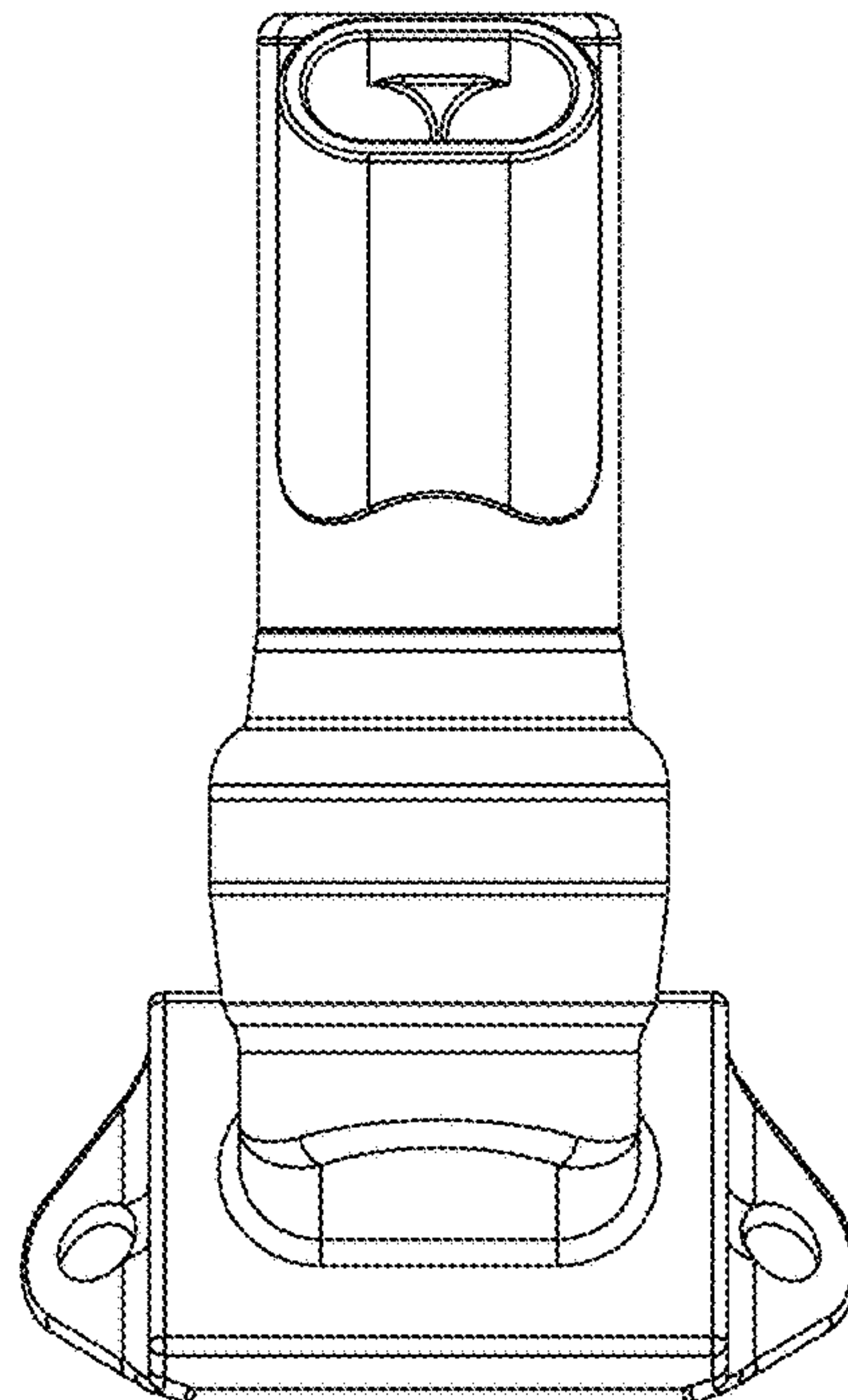


Fig. 4

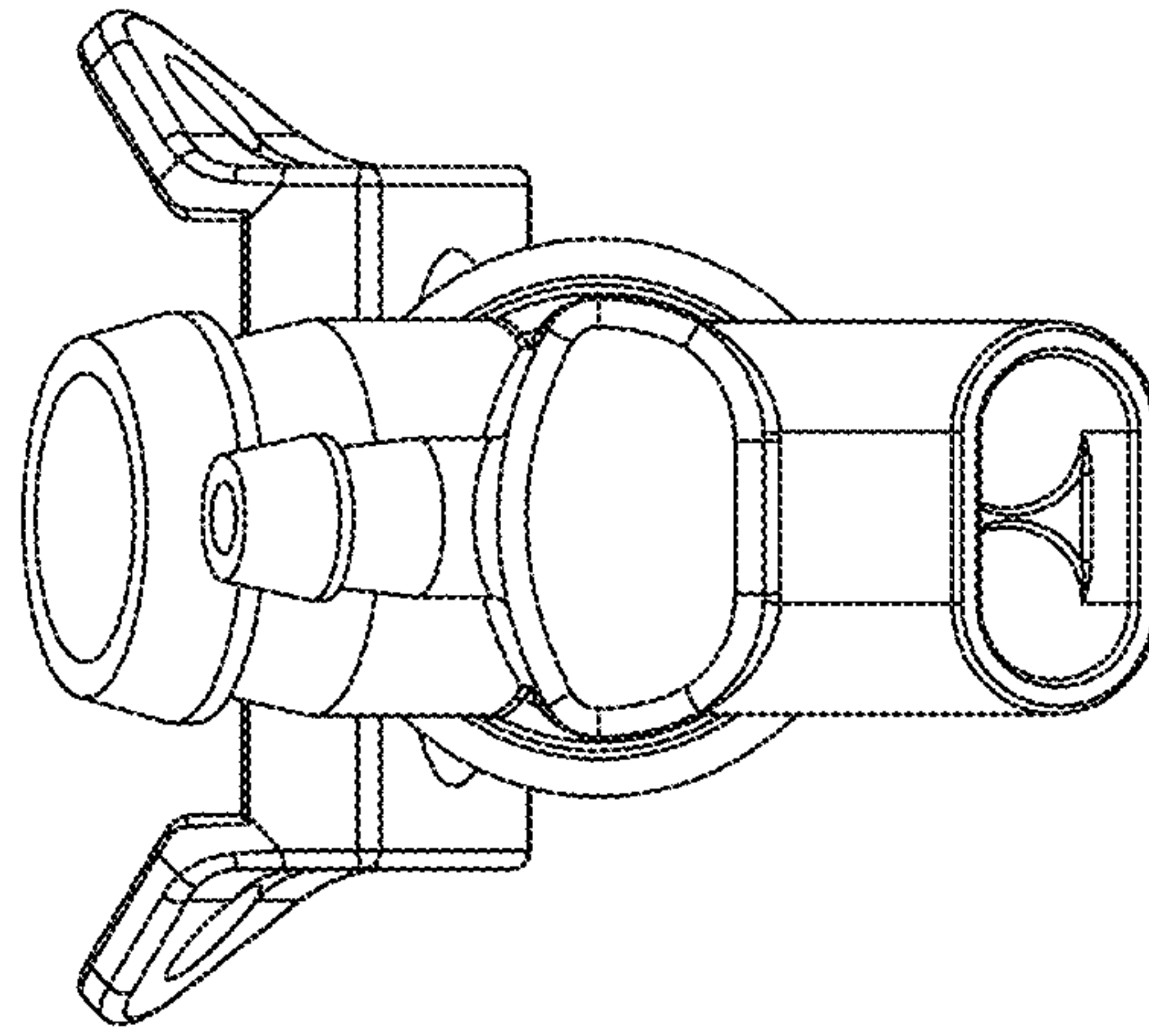


Fig. 5

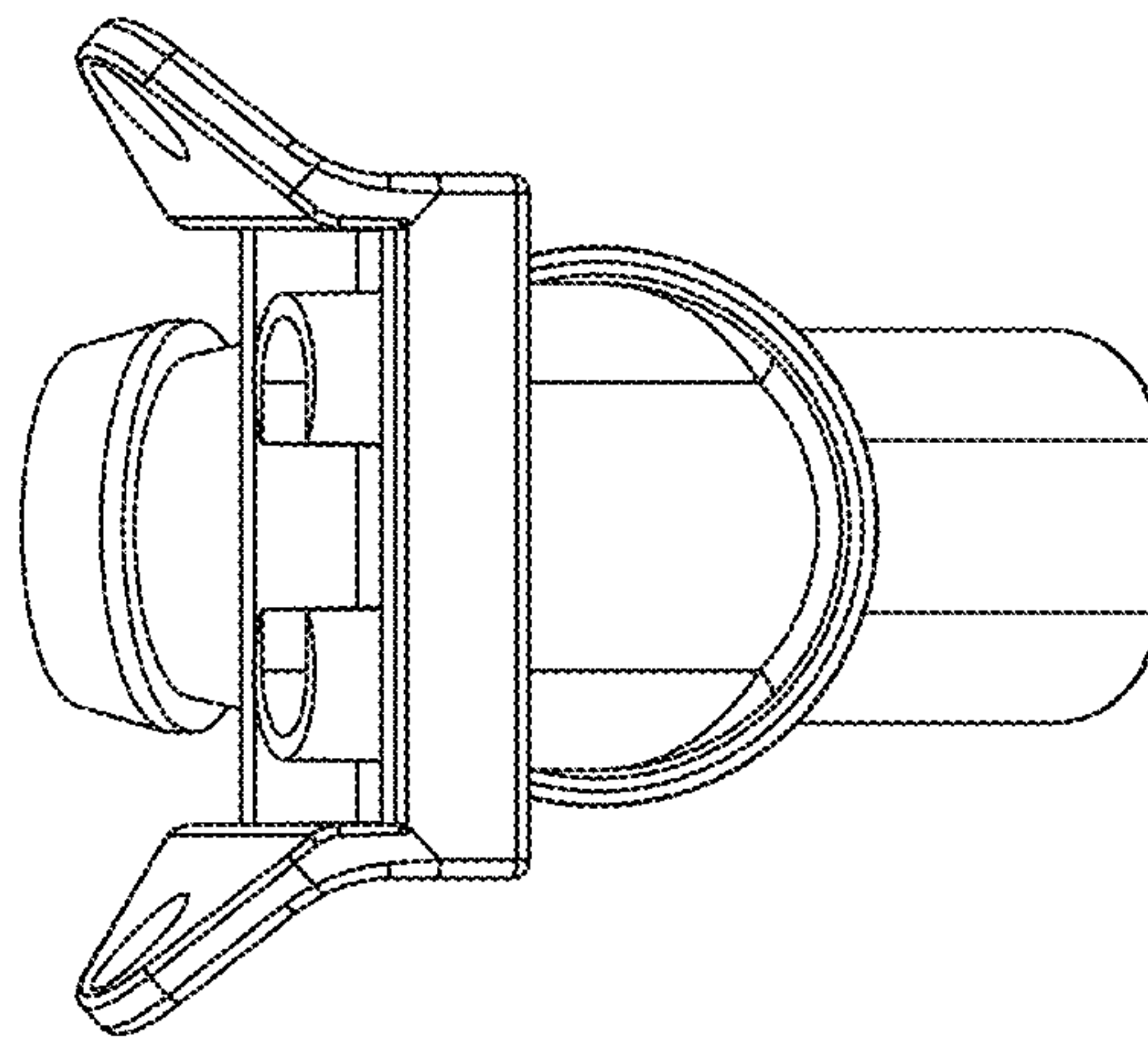


Fig. 6

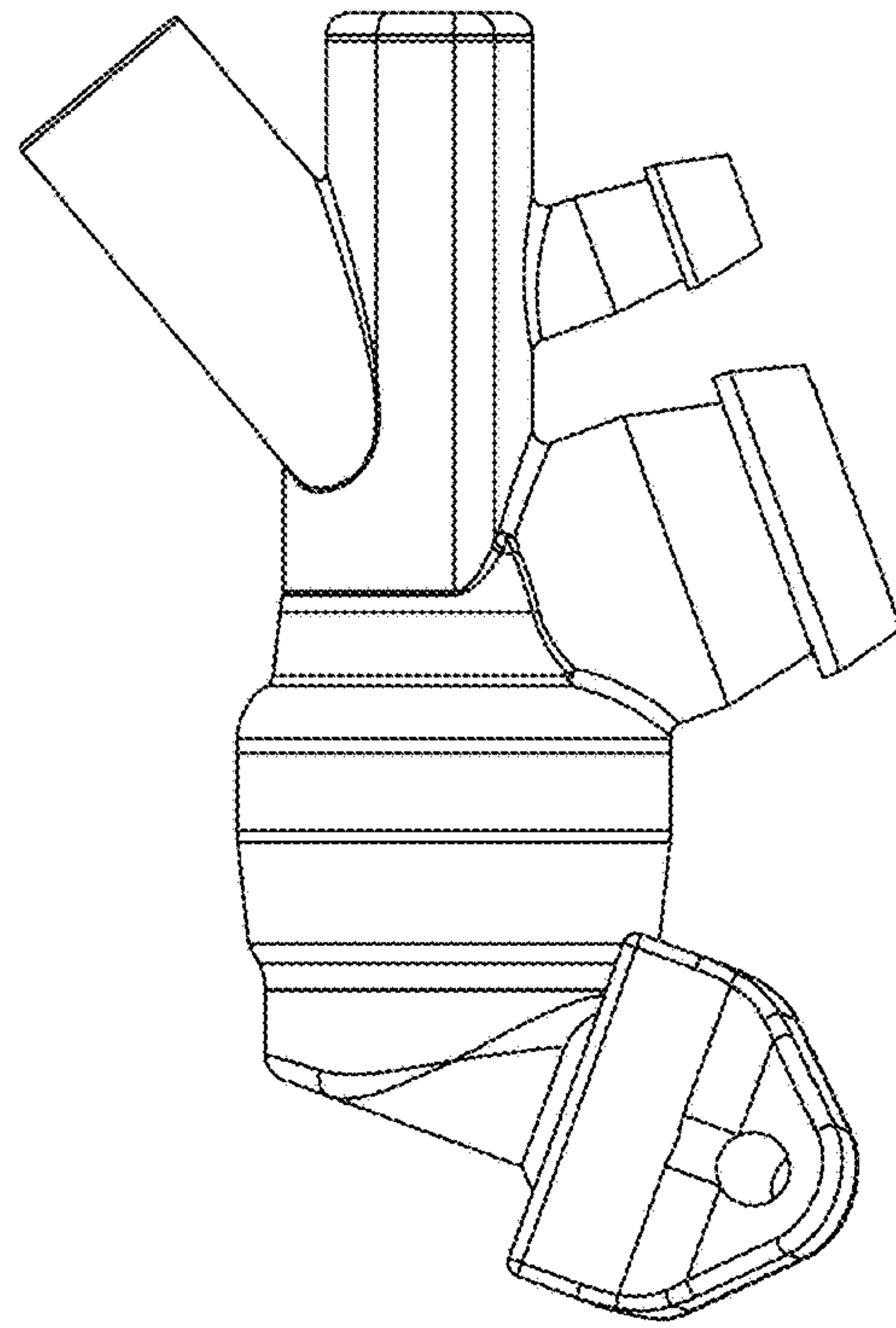


Fig. 7

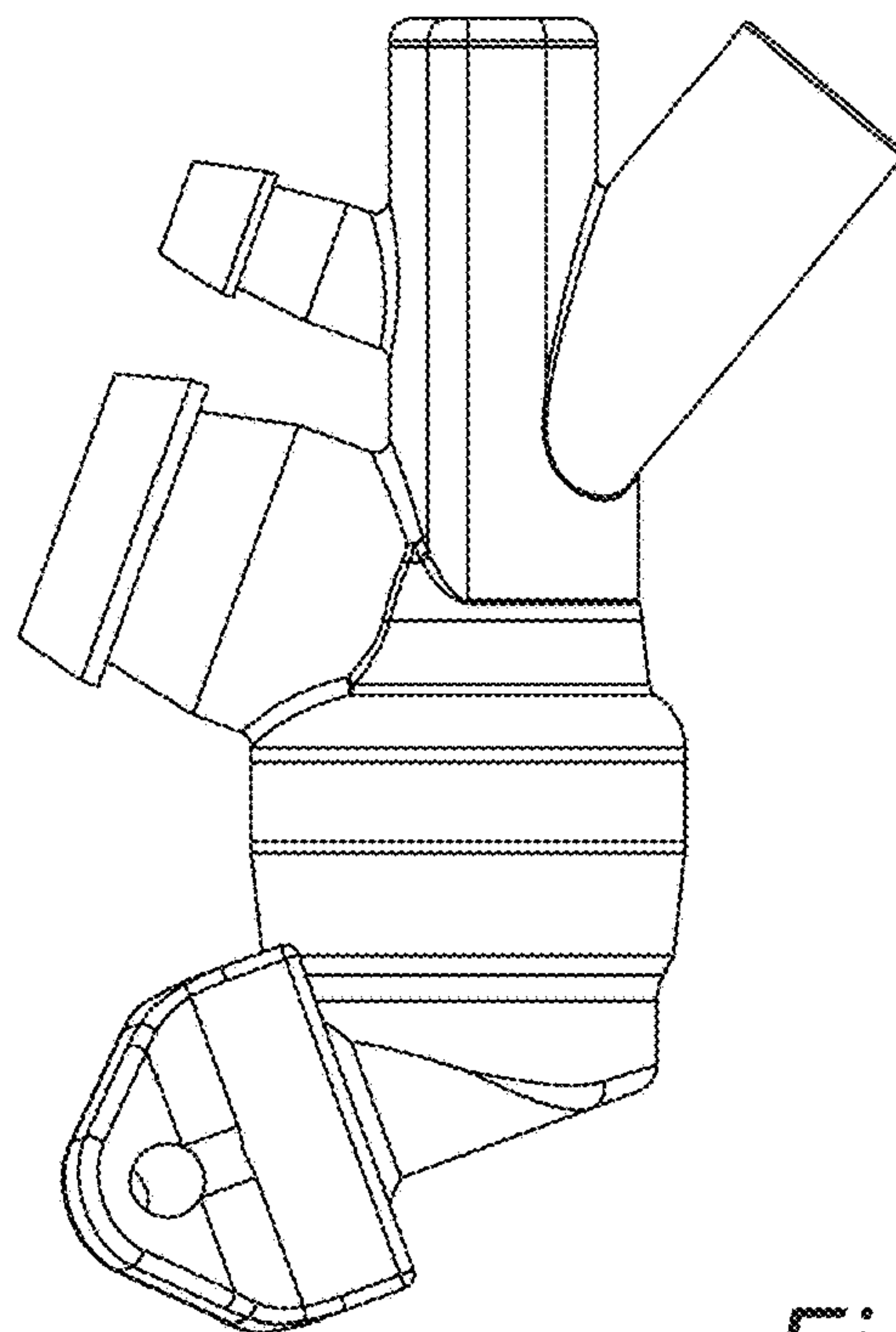


Fig. 8