



US00D827122S

(12) **United States Design Patent** (10) **Patent No.:** **US D827,122 S**  
**Heinrichs** (45) **Date of Patent:** **\*\* Aug. 28, 2018**

(54) **AIR VENT**

(71) Applicant: **Michael Heinrichs**, Weymouth, MA (US)

(72) Inventor: **Michael Heinrichs**, Weymouth, MA (US)

(\*\*) Term: **15 Years**

(21) Appl. No.: **29/580,140**

(22) Filed: **Oct. 6, 2016**

(51) **LOC (11) Cl.** ..... **23-02**

(52) **U.S. Cl.**  
USPC ..... **D23/393**

(58) **Field of Classification Search**  
USPC ..... D23/259–260, 266, 370–376, 381, 385,  
D23/386–403; D25/139, 141; D26/59,  
D26/61–65, 104, 106; D32/15, 346  
CPC ..... E04D 13/17; E04D 13/1476; F24F 7/02;  
F24F 2221/26; F24F 13/14; F24F  
2007/003; E04B 1/70; E04B 1/7076;  
E04B 2/02  
See application file for complete search history.

(56) **References Cited**

U.S. PATENT DOCUMENTS

4,214,380	A	7/1980	Meyer	
6,227,962	B1	5/2001	Orendorff	
6,506,113	B2	1/2003	Berger	
6,780,100	B1	8/2004	Gretz	
7,115,820	B1	10/2006	Gretz	
D593,193	S	5/2009	Jackson	
7,676,993	B2	3/2010	Bonshor	
D755,944	S *	5/2016	Daniels	D23/373
D771,791	S *	11/2016	Smith	D23/393
D771,793	S *	11/2016	Smith	D23/393
D804,009	S *	11/2017	Mok	D23/372
9,845,970	B2 *	12/2017	Heinrichs	F24F 13/14
D811,573	S *	2/2018	Mok	D23/372
D812,212	S *	3/2018	Langford	D23/373
D812,213	S *	3/2018	Langford	D23/373
D812,216	S *	3/2018	Langford	D23/393
D812,735	S *	3/2018	Murray	D23/393

2003/0022616	A1	1/2003	Stiehl	
2007/0111653	A1	5/2007	Endou	
2010/0159821	A1	6/2010	Bredahl	
2014/0342653	A1	11/2014	Fieldhouse	
2017/0022702	A1 *	1/2017	Heinrichs	E04B 2/02
2017/0284688	A1 *	10/2017	Langford	F24F 7/02

OTHER PUBLICATIONS

“Master Flow Rectangular Appliance Wall Vent.” homedepot.com. Oct. 28, 2013. Accessed Jun. 19, 2018. Available online via: <[https://web.archive.org/web/20131028132141/https://www.homedepot.com/p/Master-Flow-3-1-4-in-x-10-in-Rectangular-Appliance-Wall-Vent-AVW3-25X10/202191782#.WymHk\\_I95PY](https://web.archive.org/web/20131028132141/https://www.homedepot.com/p/Master-Flow-3-1-4-in-x-10-in-Rectangular-Appliance-Wall-Vent-AVW3-25X10/202191782#.WymHk_I95PY)> (Year: 2013).\*

\* cited by examiner

*Primary Examiner* — Cathron C Brooks  
*Assistant Examiner* — Christian P. McLean  
(74) *Attorney, Agent, or Firm* — Steven N. Fox, Esq.

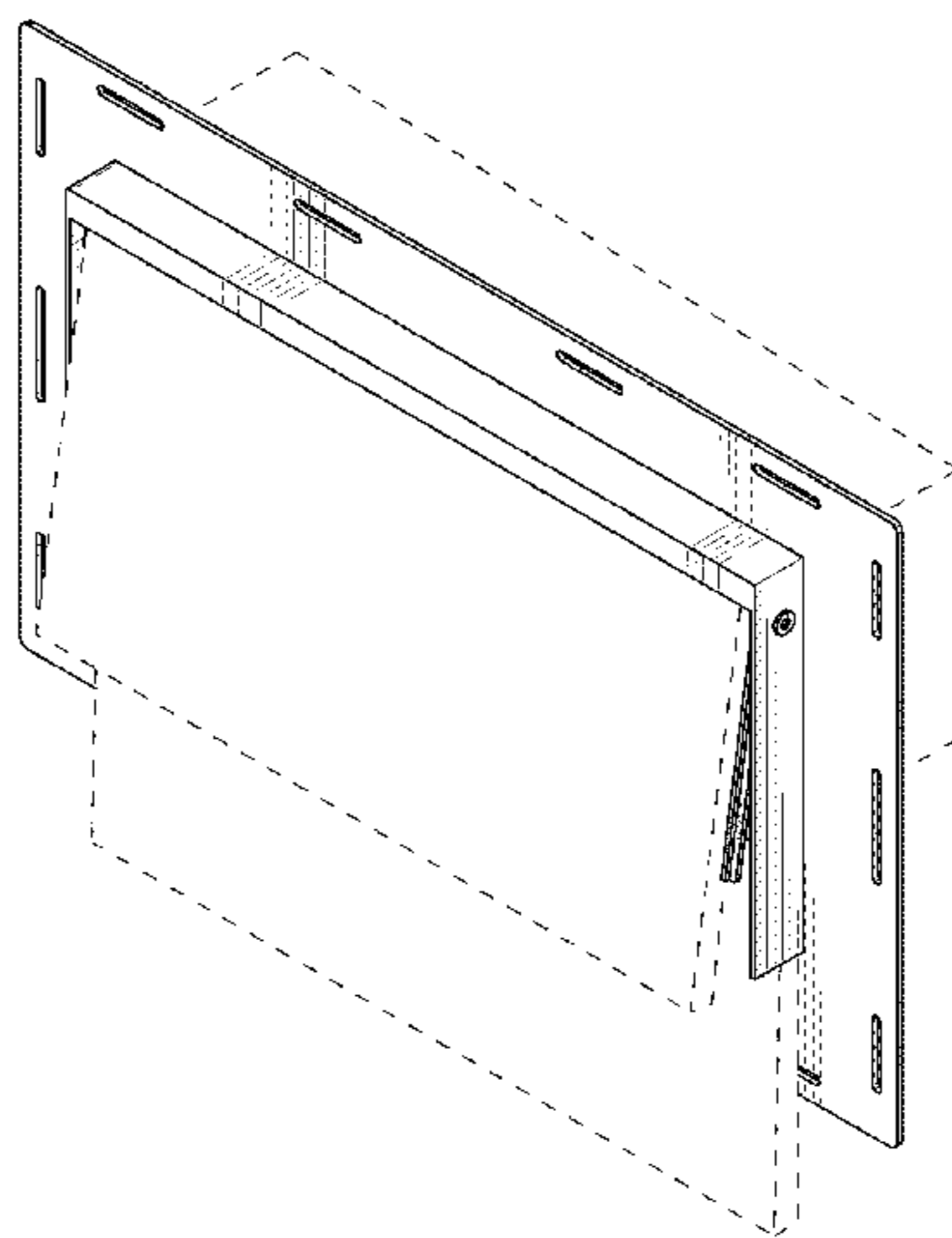
(57) **CLAIM**

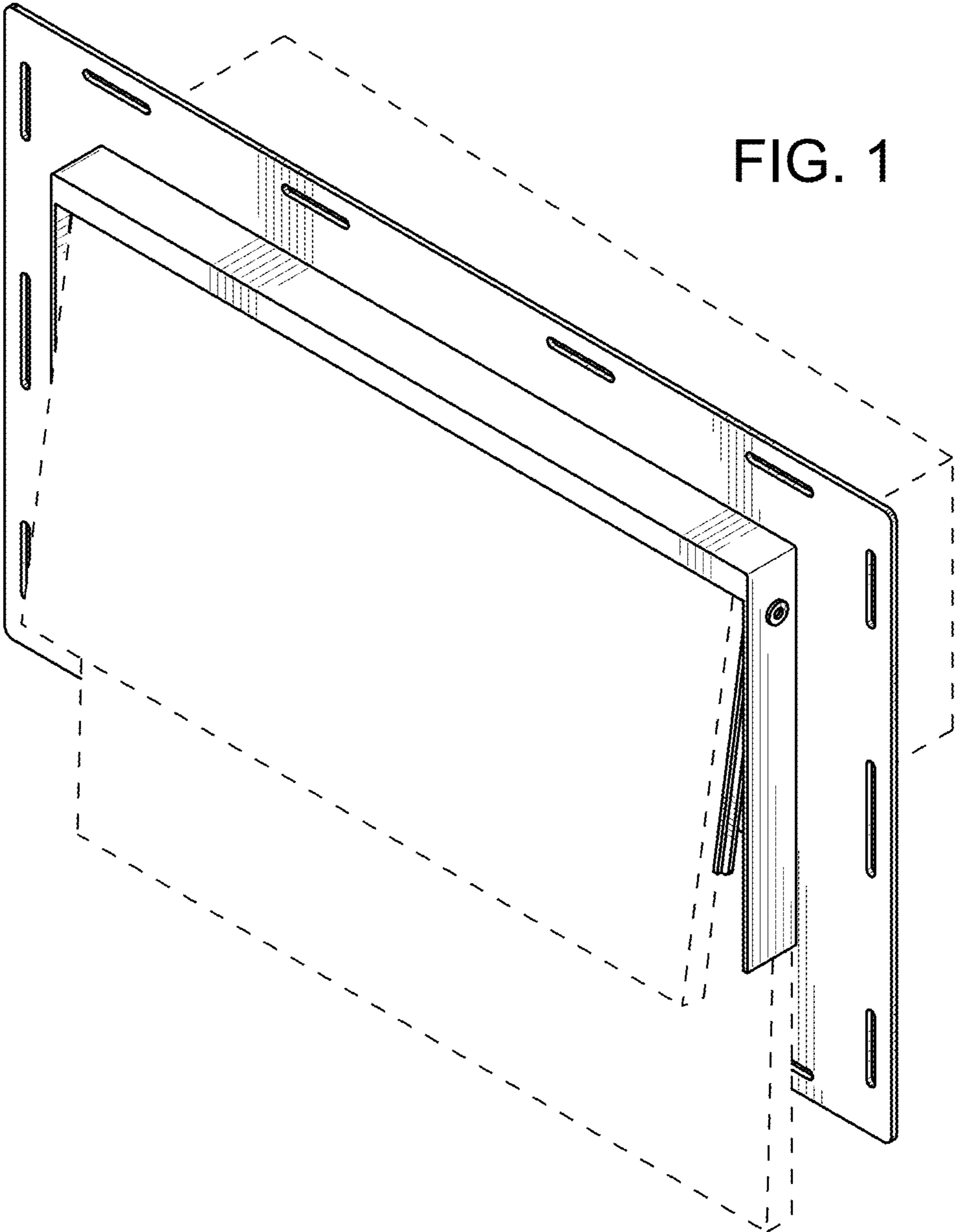
The ornamental design for an air vent, as shown and described.

**DESCRIPTION**

FIG. 1 is a perspective view of an air vent according to the present invention with upper and lower pieces of siding attached thereto;  
FIG. 2 is a perspective view of the air vent according to the present invention without upper and lower pieces of siding attached thereto;  
FIG. 3 is a top view thereof;  
FIG. 4 is a front view thereof;  
FIG. 5 is a rear view thereof;  
FIG. 6 is a bottom view thereof;  
FIG. 7 is a left side view thereof; and,  
FIG. 8 is a right side view thereof.  
The features shown in broken lines illustrate environment and form no part of the claimed design.

**1 Claim, 5 Drawing Sheets**





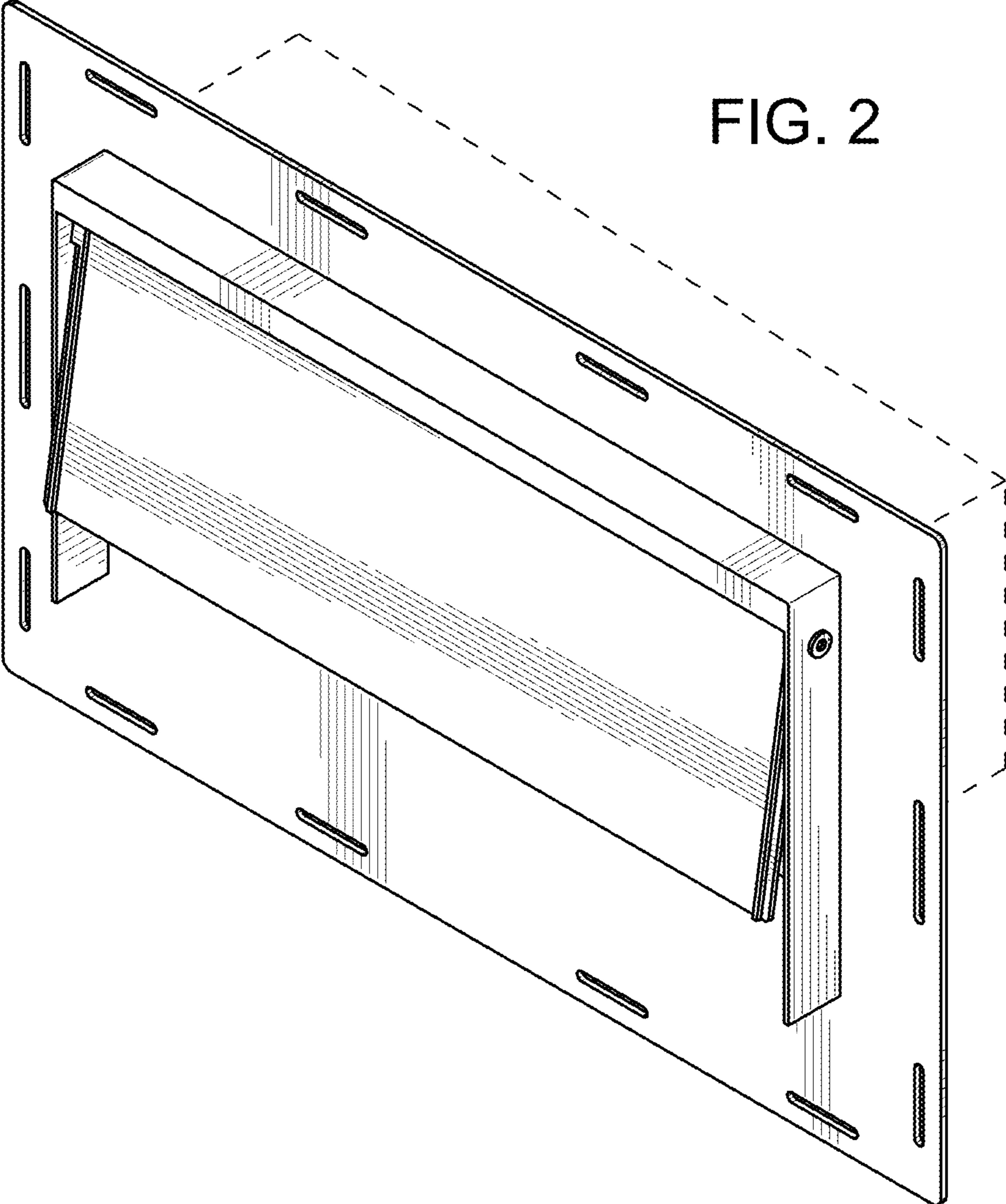


FIG. 2

FIG. 3

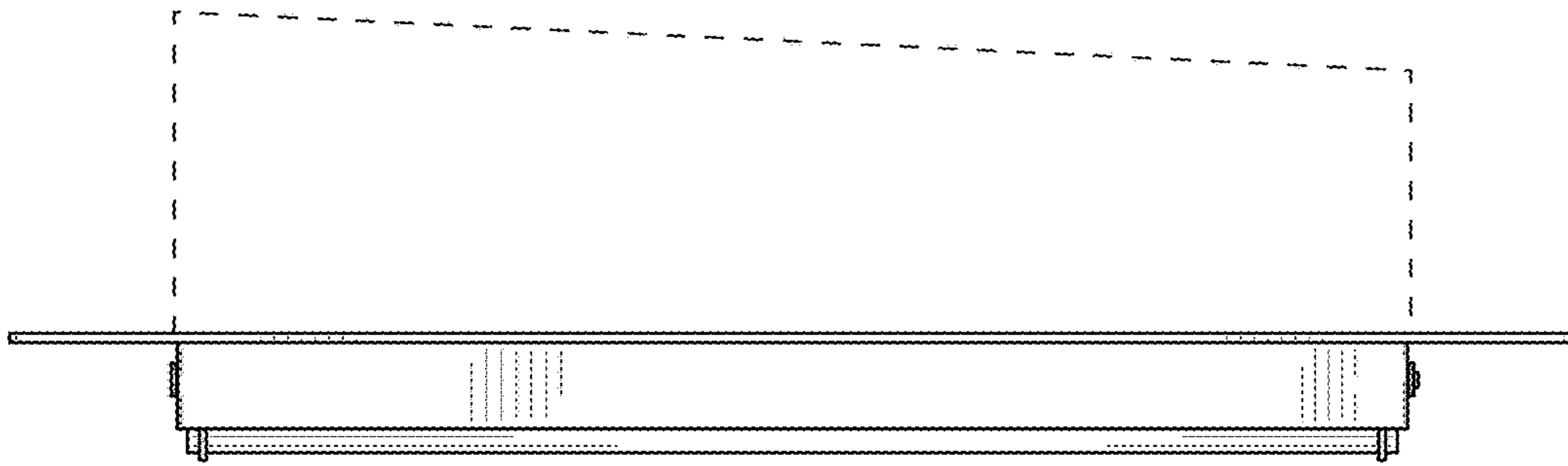


FIG. 4

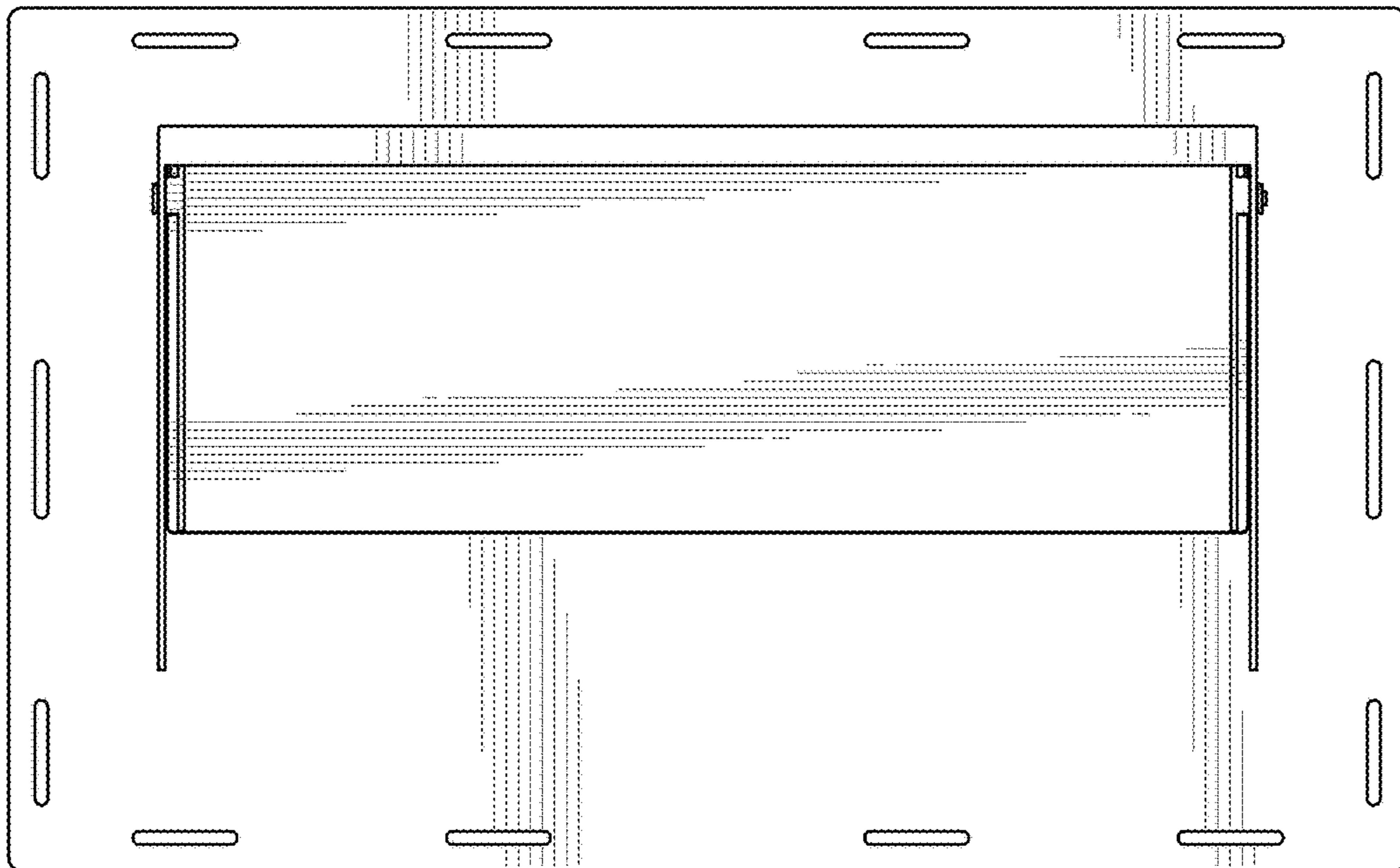


FIG. 5

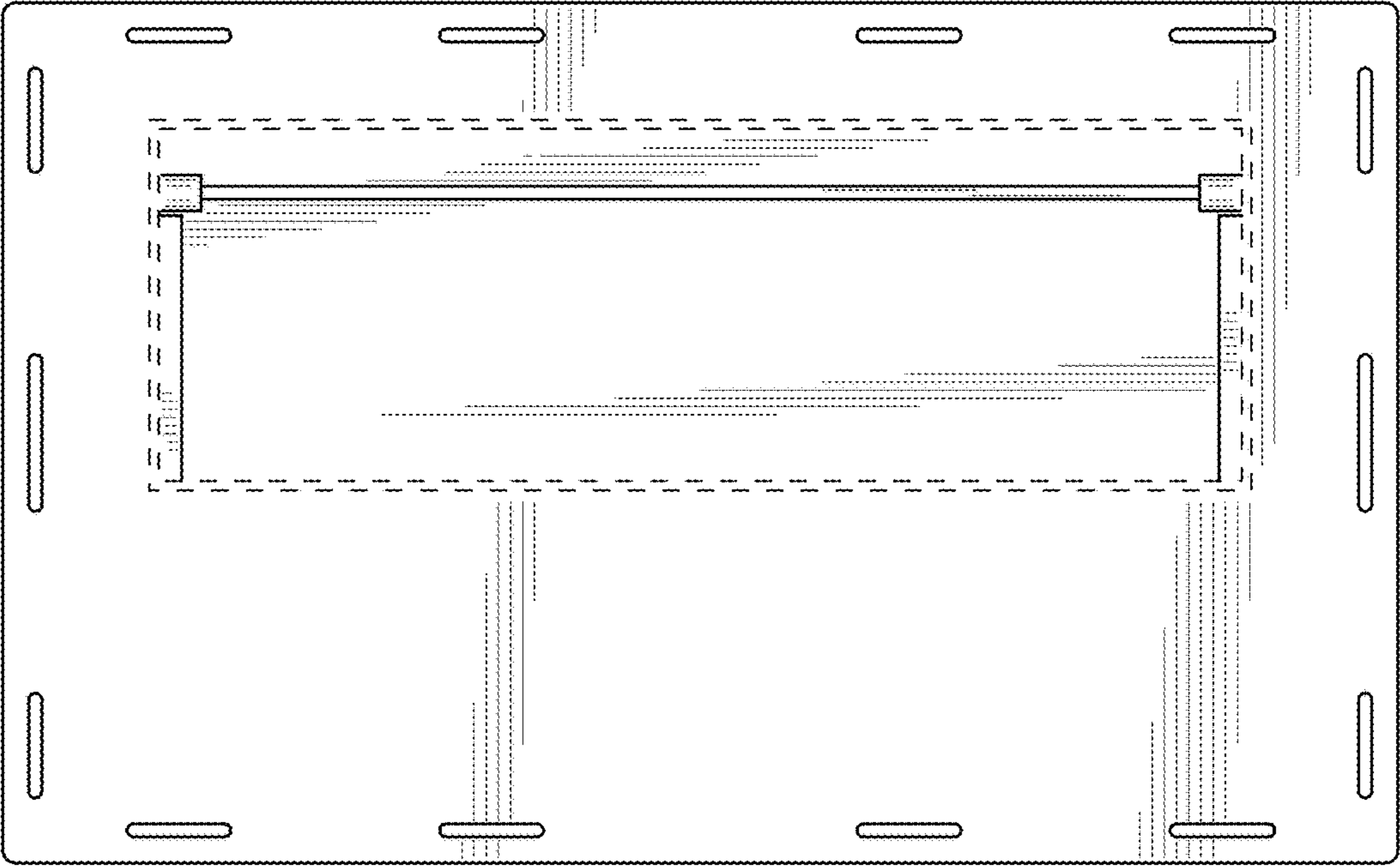


FIG. 6

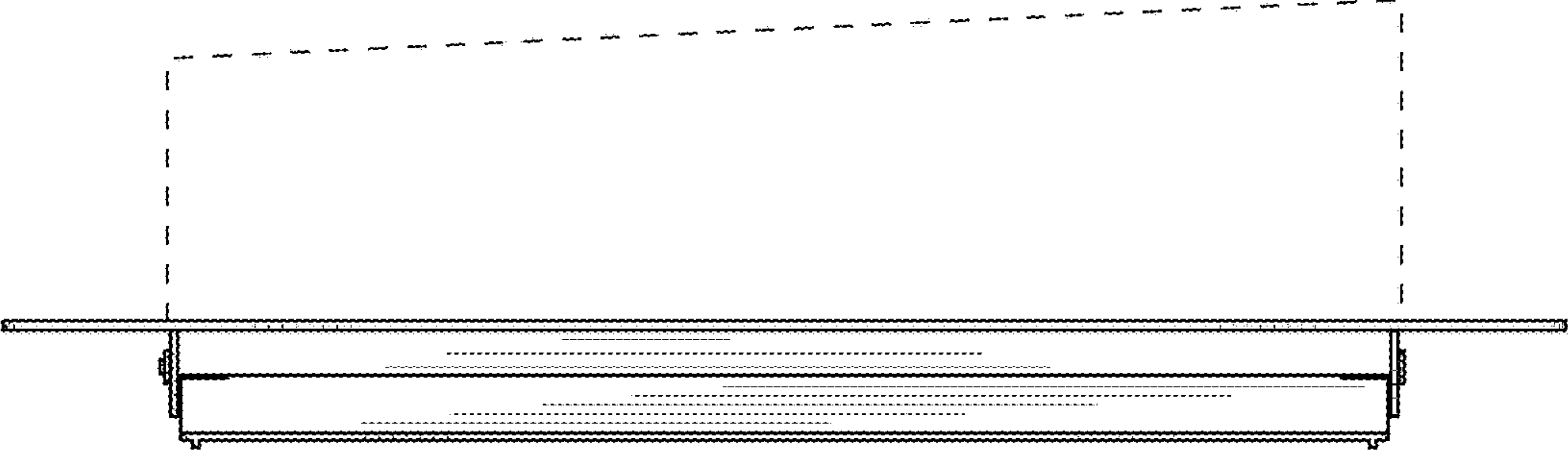


FIG. 7

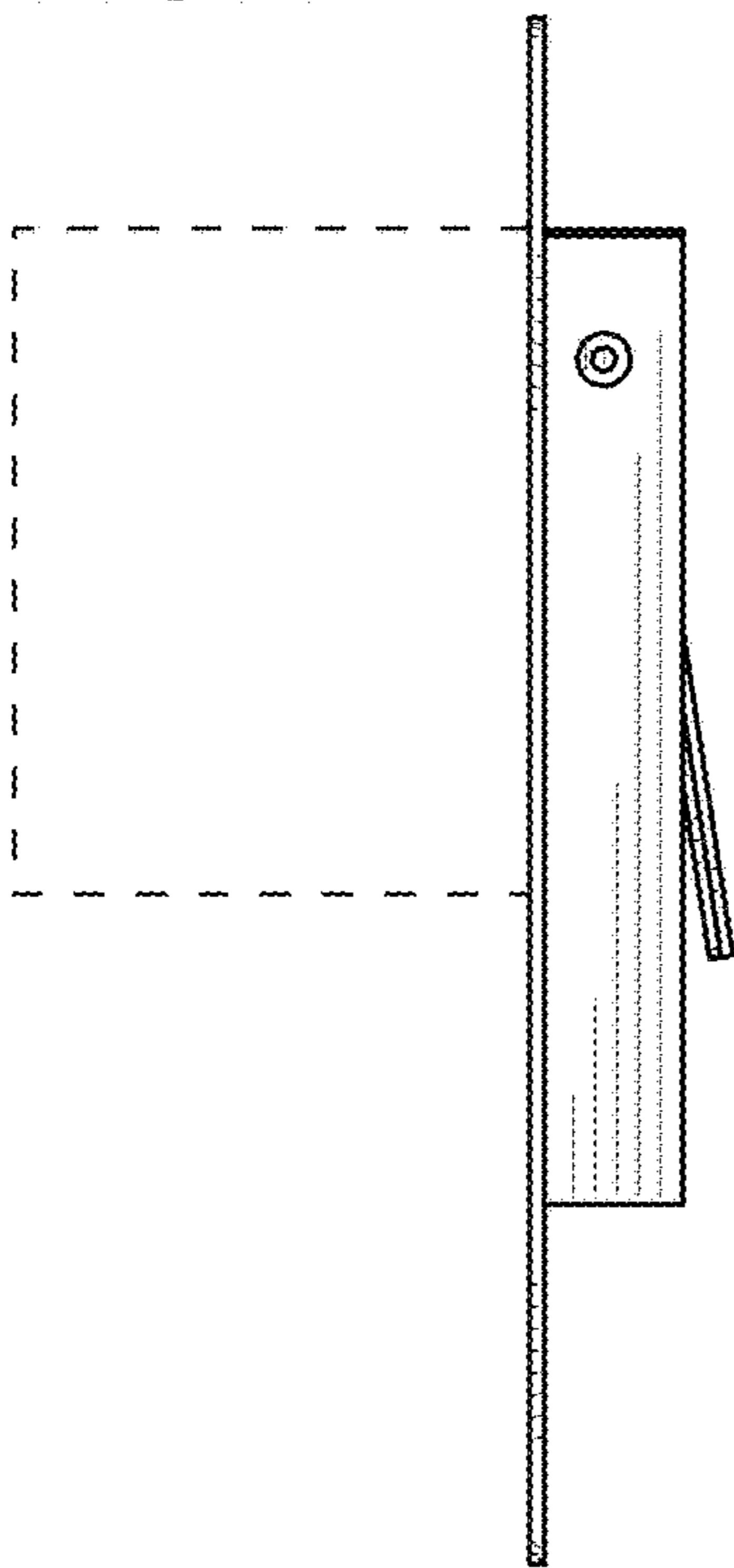


FIG. 8

