



US00D827119S

(12) **United States Design Patent** (10) **Patent No.:** **US D827,119 S**  
**Intravatola** (45) **Date of Patent:** **\*\* Aug. 28, 2018**

(54) **AIR HOSE CANISTER**

(74) *Attorney, Agent, or Firm* — Welsh Flaxman & Gitler LLC

(71) Applicant: **AIR SYSTEMS, INC.**, Chesapeake, VA (US)

(72) Inventor: **Lawrence Shane Intravatola**, Chesapeake, VA (US)

(57) **CLAIM**

The ornamental design for an air hose canister, as shown and described.

(73) Assignee: **AIR SYSTEMS, INC.**, Chesapeake, VA (US)

**DESCRIPTION**

(\*\*) Term: **15 Years**

(21) Appl. No.: **29/578,524**

(22) Filed: **Sep. 22, 2016**

(51) **LOC (11) Cl.** ..... **23-04**

(52) **U.S. Cl.**  
USPC ..... **D23/370**

(58) **Field of Classification Search**  
USPC ..... D23/317, 325, 332–340, 342, 348, 351, D23/352, 355, 356, 359, 362, 364, 370,  
(Continued)

FIG. 1 is a perspective view an air hose canister;  
FIG. 2 is a perspective view of the air hose canister shown in FIG. 1 from a side opposite that shown in FIG. 1;  
FIG. 3 is a front elevation view of the air hose canister shown in FIG. 1;  
FIG. 4 is a rear elevation view of the air hose canister shown in FIG. 1;  
FIG. 5 is a top plan view of the air hose canister shown in FIG. 1;  
FIG. 6 is a bottom view of the air hose canister shown in FIG. 1;  
FIG. 7 is a left side elevation view of the air hose canister shown in FIG. 1;  
FIG. 8 is a right side elevation view of the air hose canister shown in FIG. 1;  
FIG. 9 is a perspective view an air hose canister that is slightly shorter in length than the air hose canister shown in FIGS. 1-8;  
FIG. 10 is a perspective view of the air hose canister shown in FIG. 9 from a side opposite that shown in FIG. 9;  
FIG. 11 is a front elevation view of the air hose canister shown in FIG. 9;  
FIG. 12 is a rear elevation view of the air hose canister shown in FIG. 9;  
FIG. 13 is a top plan view of the air hose canister shown in FIG. 9;  
FIG. 14 is a bottom view of the air hose canister shown in FIG. 9;  
FIG. 15 is a left side elevation view of the air hose canister shown in FIG. 9; and,  
FIG. 16 is a right side elevation view of the air hose canister shown in FIG. 9.

(56) **References Cited**

**U.S. PATENT DOCUMENTS**

2,353,247 A \* 7/1944 Kuettel ..... F24H 3/0417  
392/368  
D164,613 S \* 9/1951 Wahlberg et al. .... D23/336  
(Continued)

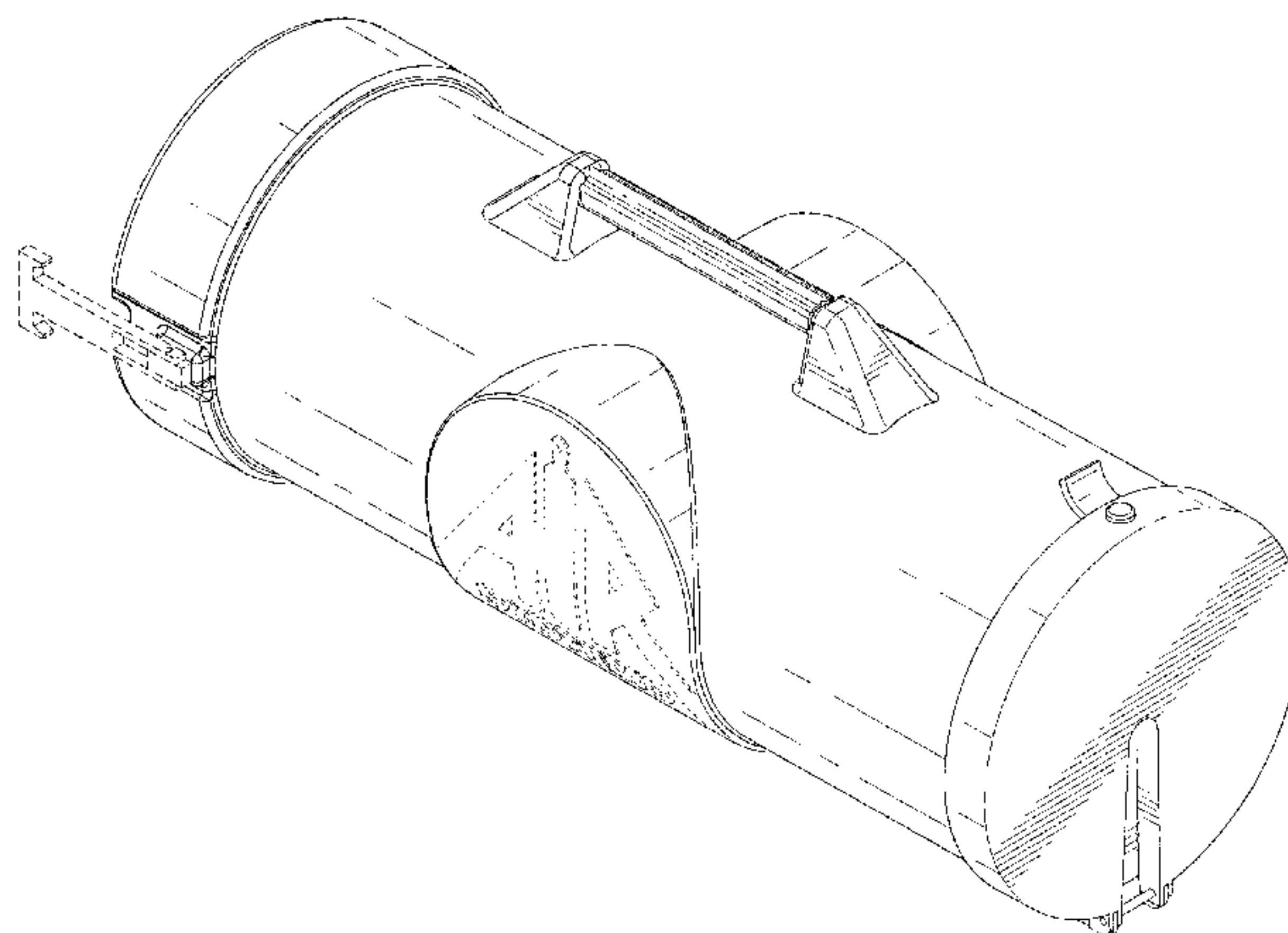
**OTHER PUBLICATIONS**

“Allegro 9538-25 COM-PAX-IAL.” aikencolon.com. Available Apr. 20, 2014. Accessed Jun. 8, 2018. Available online via Internet Archive Wayback Machine at URL: <<https://web.archive.org/web/20140420154601/http://www.aikencolon.com/allegro-9538-25-com-pax-ial-axial-explosion-proof-blower>> (Year: 2014).\*

(Continued)

*Primary Examiner* — Cathron C Brooks  
*Assistant Examiner* — Christian P. McLean

(Continued)



The broken lines are for illustrative purposes as showing the environment of the design and form no part of the claimed design.

1 Claim, 10 Drawing Sheets

(58) Field of Classification Search

USPC ..... D23/414; 128/205.29, 201.13, 204.17, 128/207.14

CPC ... F21S 8/085; F21S 8/086; F21S 9/03; F21V 15/01; F21V 29/02; F21W 2131/103

See application file for complete search history.

(56)

References Cited

U.S. PATENT DOCUMENTS

D256,273	S	*	8/1980	Townsend	.....	D23/336
D315,597	S	*	3/1991	Botheras	.....	D23/332
D319,694	S	*	9/1991	Wortham	.....	D23/336
D341,417	S	*	11/1993	Wortham	.....	D23/332
D506,003	S	*	6/2005	Murphy	.....	D23/392
D538,909	S	*	3/2007	Blateri	.....	D23/335

D538,922	S	*	3/2007	Graham	.....	D23/386
D609,323	S	*	2/2010	Spaggiari	.....	D23/370
D672,863	S	*	12/2012	Romero Carreras	.....	D23/370
D703,302	S	*	4/2014	Ruck	.....	D23/370
D768,901	S	*	10/2016	Hillberg	.....	D26/72

OTHER PUBLICATIONS

“Air Systems CFR-25ACAN Canister Fan for Non-Hazardous Location.” amazon.com. Reviewed Oct. 31, 2014. Accessed Jun. 8, 2018. Available online at URL: <https://www.amazon.com/Air-Systems-CVF-25ACAN-Canister-Non-Hazardous/dp/B003XPI3AS/ref=lp\_3446330011\_1\_6?srs=3446330011&ie=UTF8&qid=1528482455&sr=8-6> (Year: 2014).\*

“Confined Space Ventilation Non-Hazardous Location Ventilators,” Air Systems, 2010 (earlier than the effective US filing date such that the particular month is not an issue).

Allegro Industries, Com-PAX-ial Blower, 2010 (earlier than the effective US filing date such that the particular month is not an issue).

Euramco Safety, ECKO Confined Space Axial Fan, 2010 (earlier than the effective US filing date such that the particular month is not an issue).

\* cited by examiner

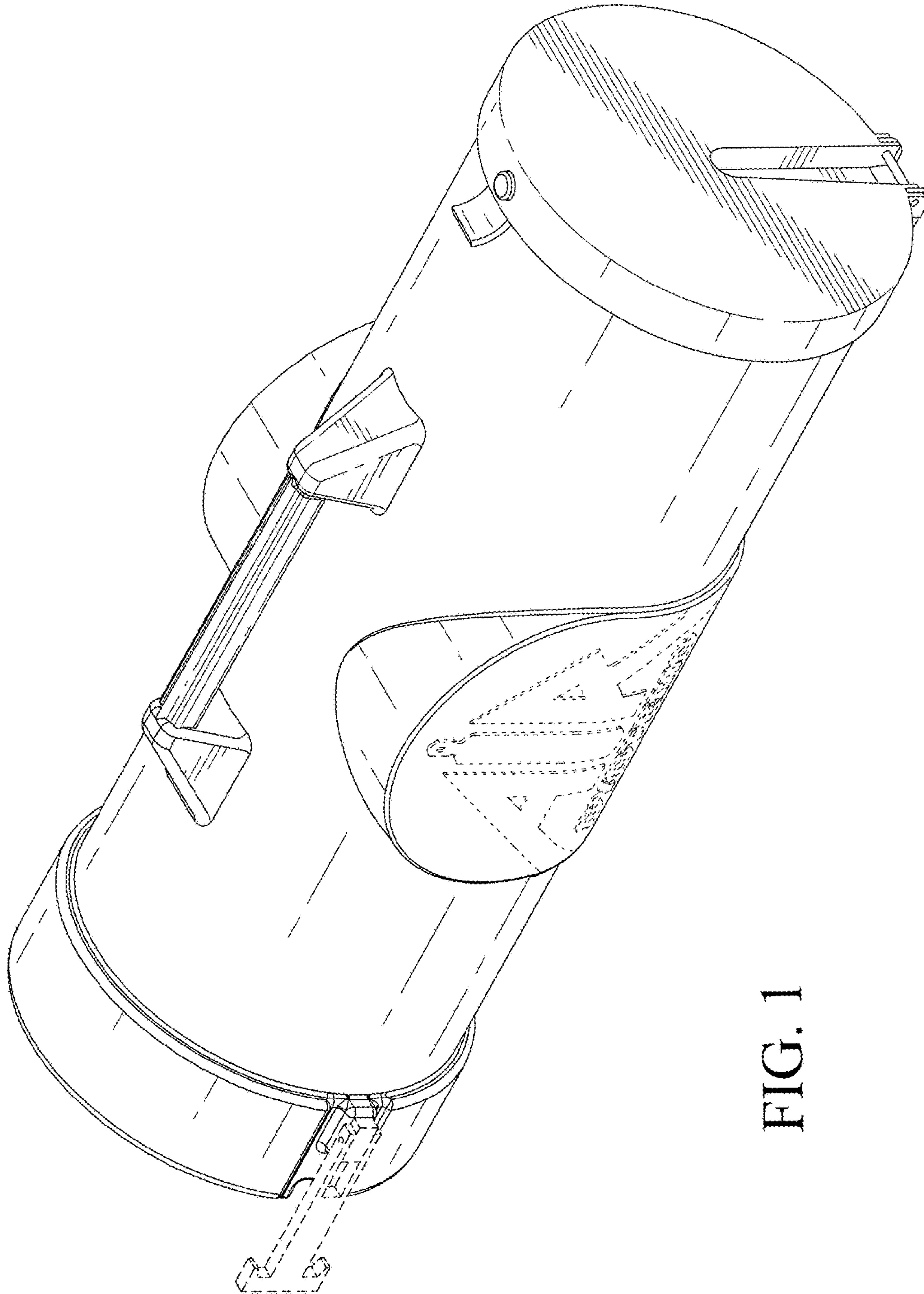
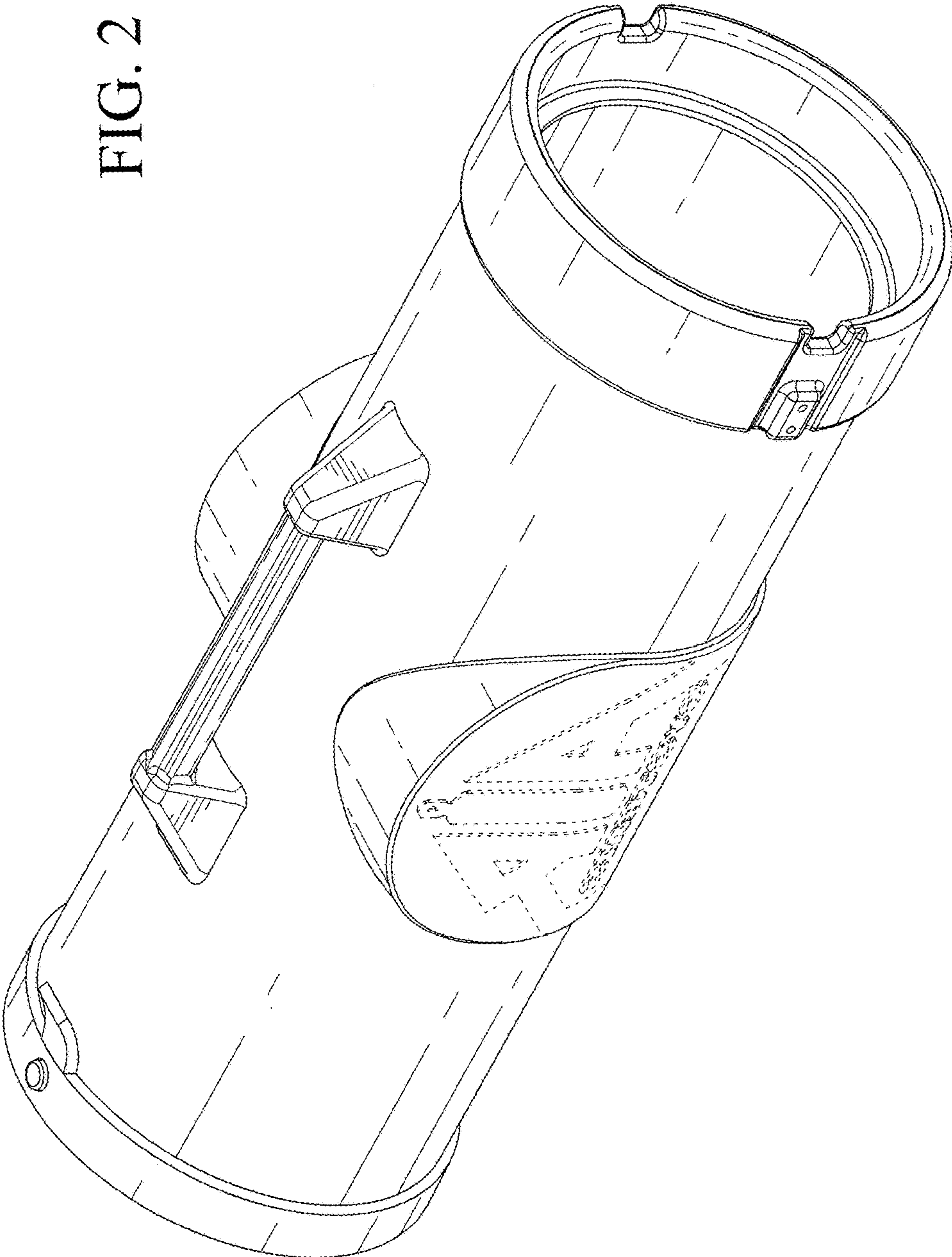


FIG. 1



FIG. 2



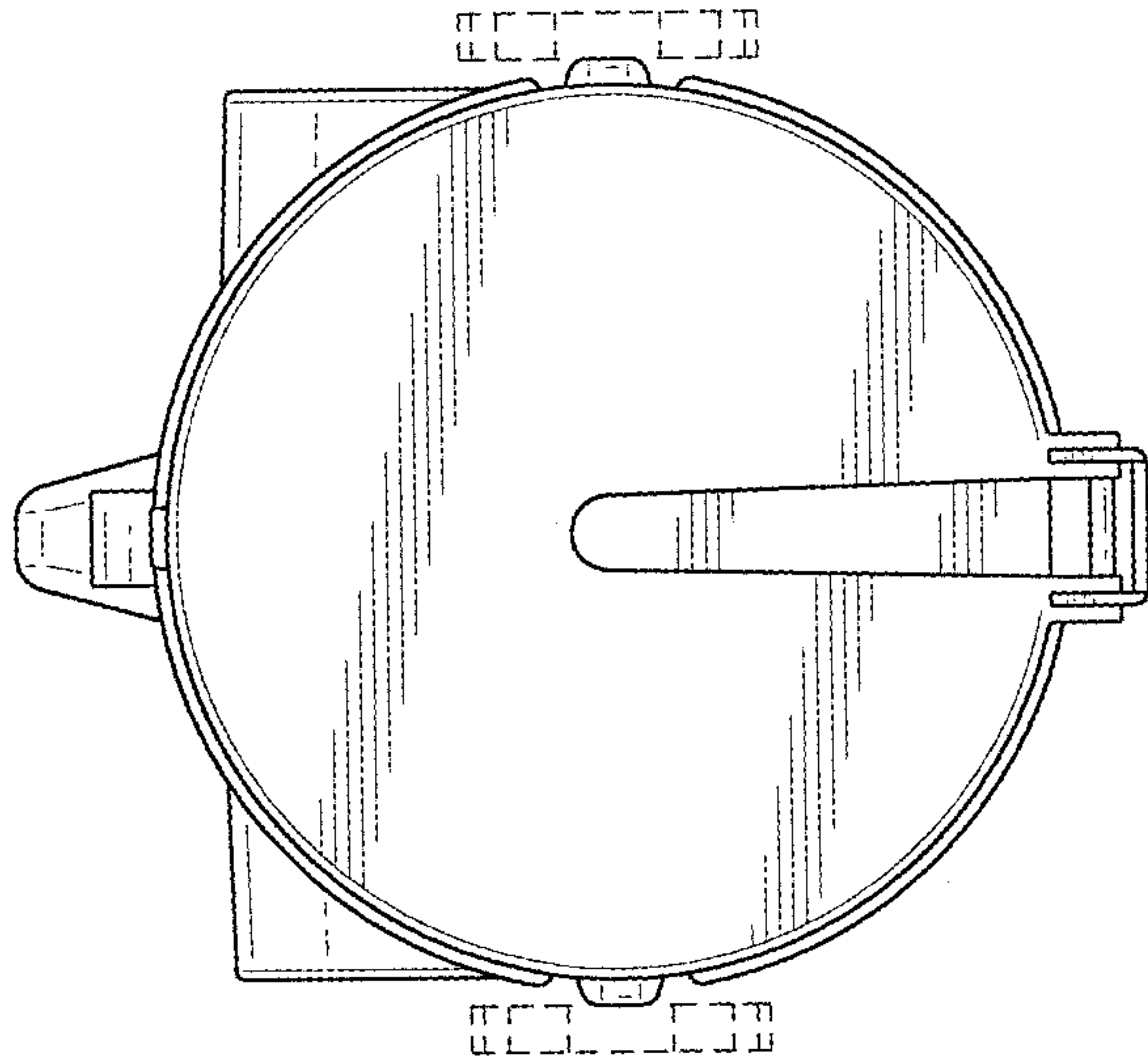


FIG. 4

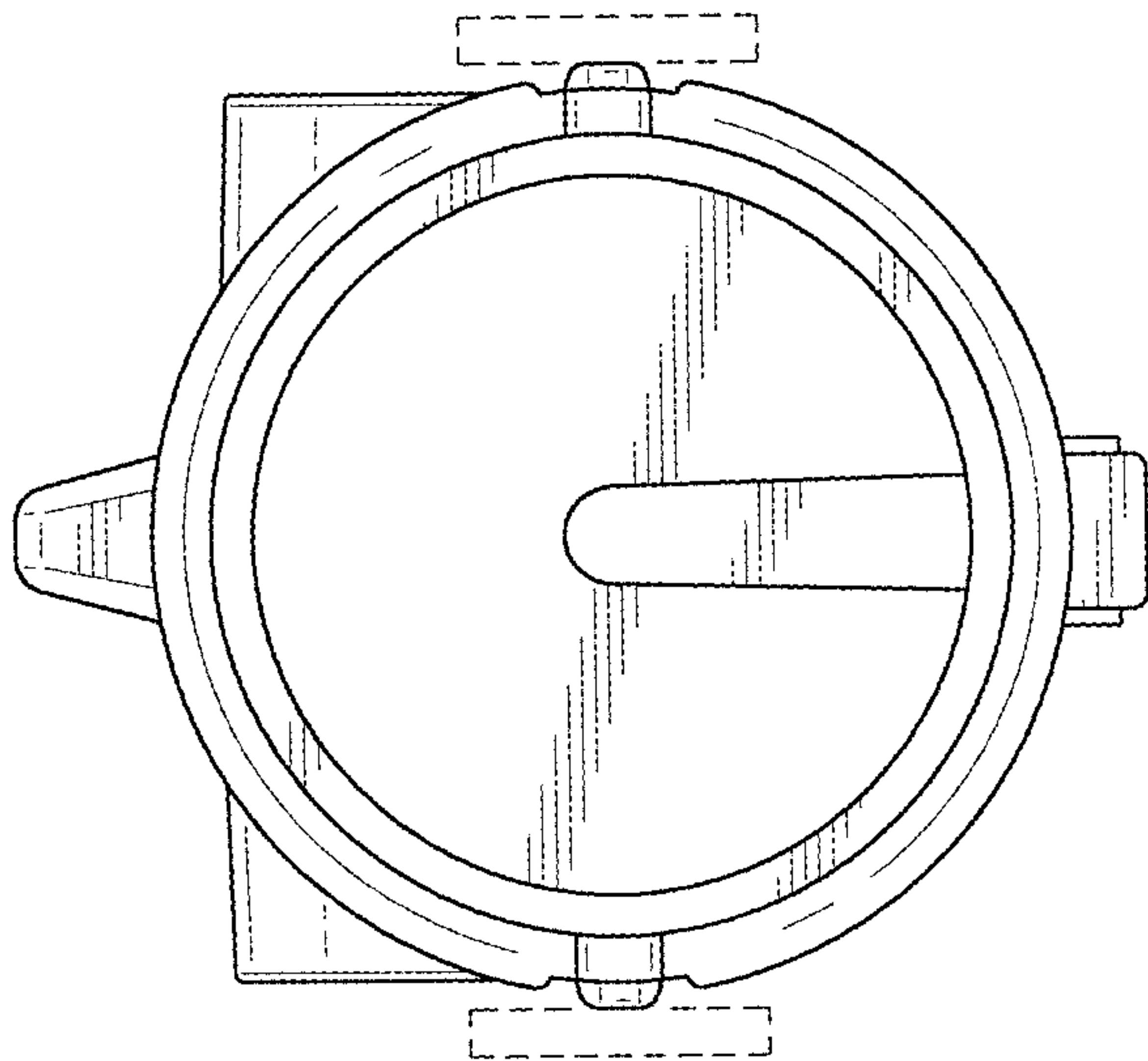


FIG. 3

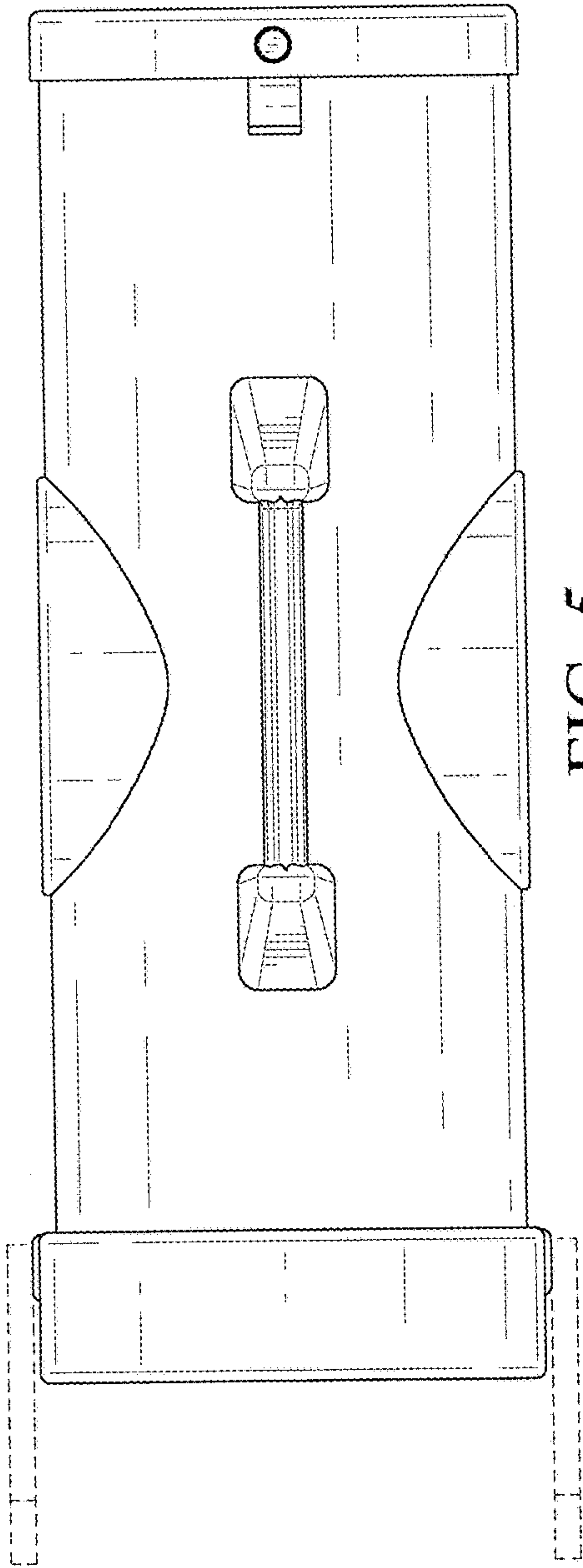


FIG. 5

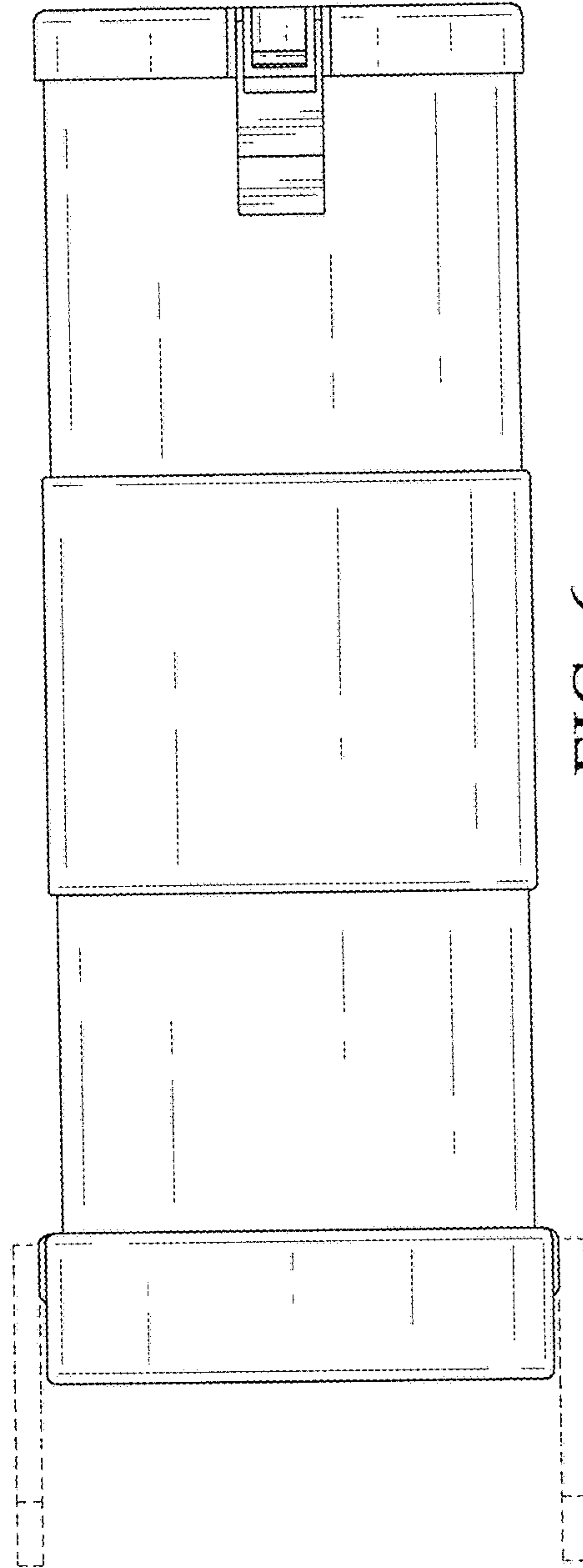


FIG. 6

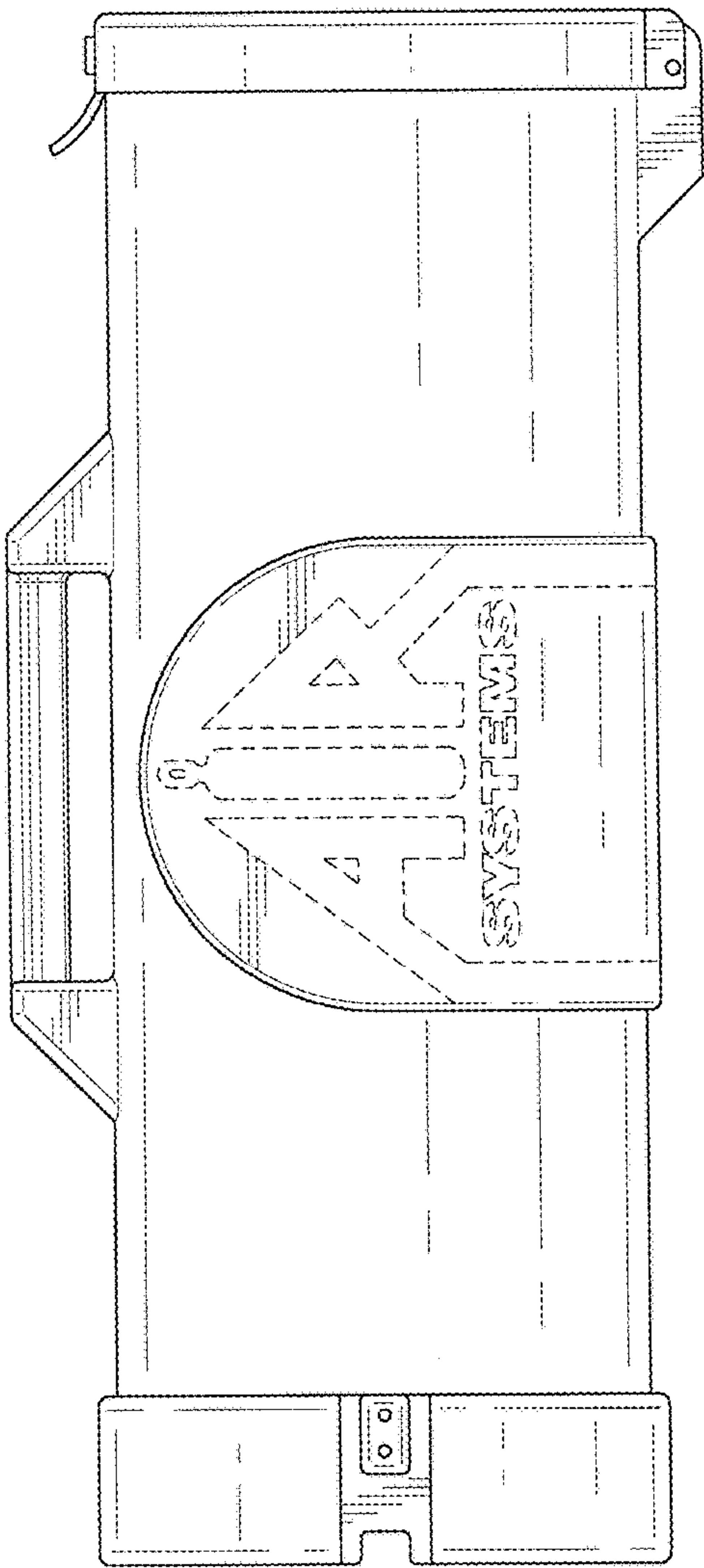


FIG. 7

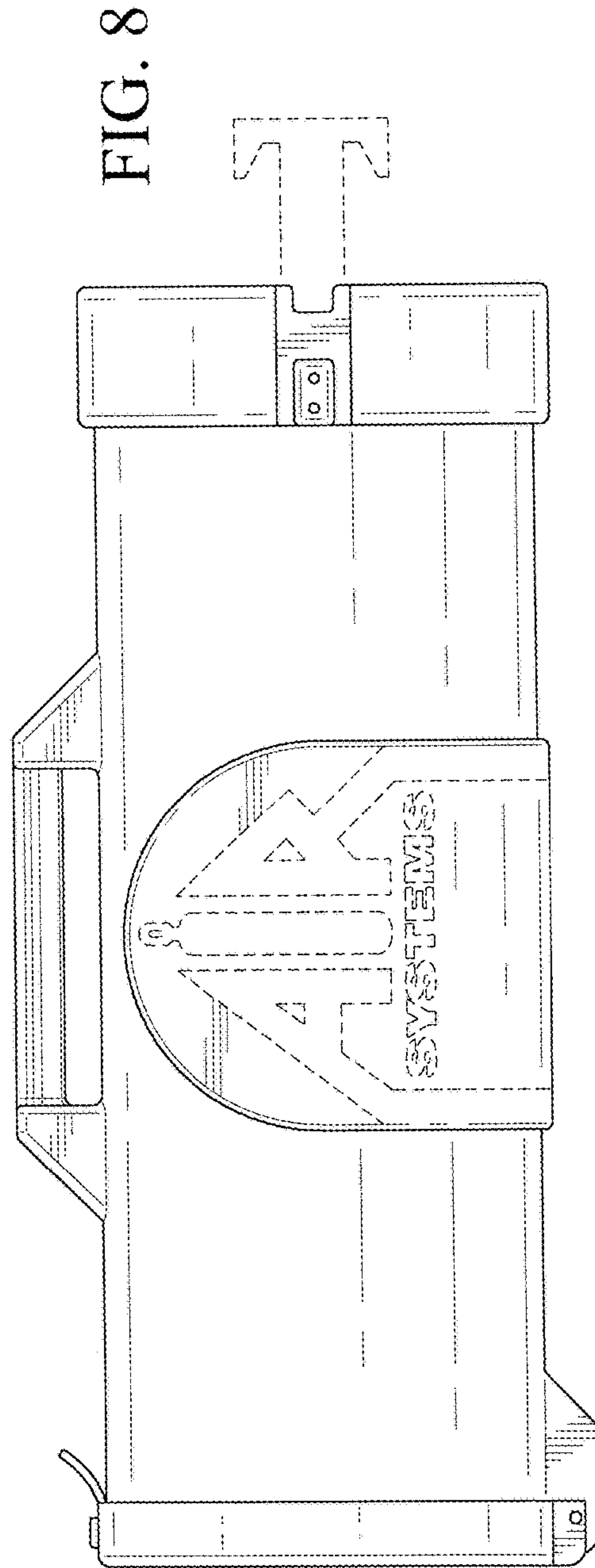
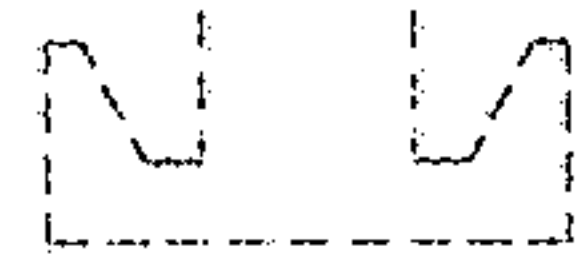
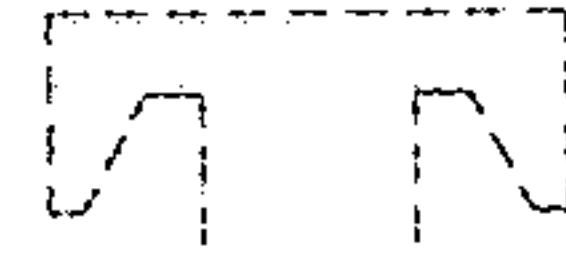


FIG. 8



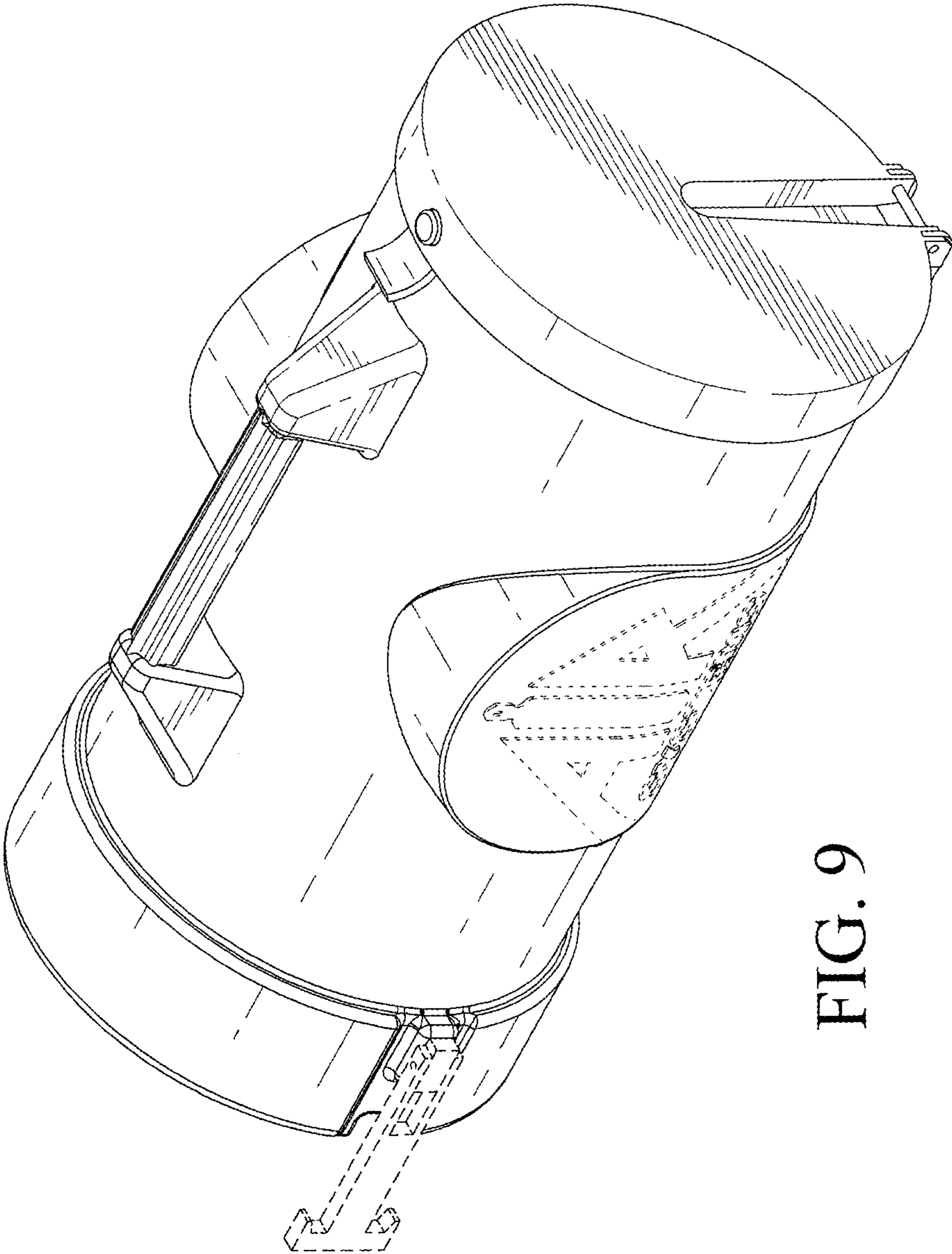
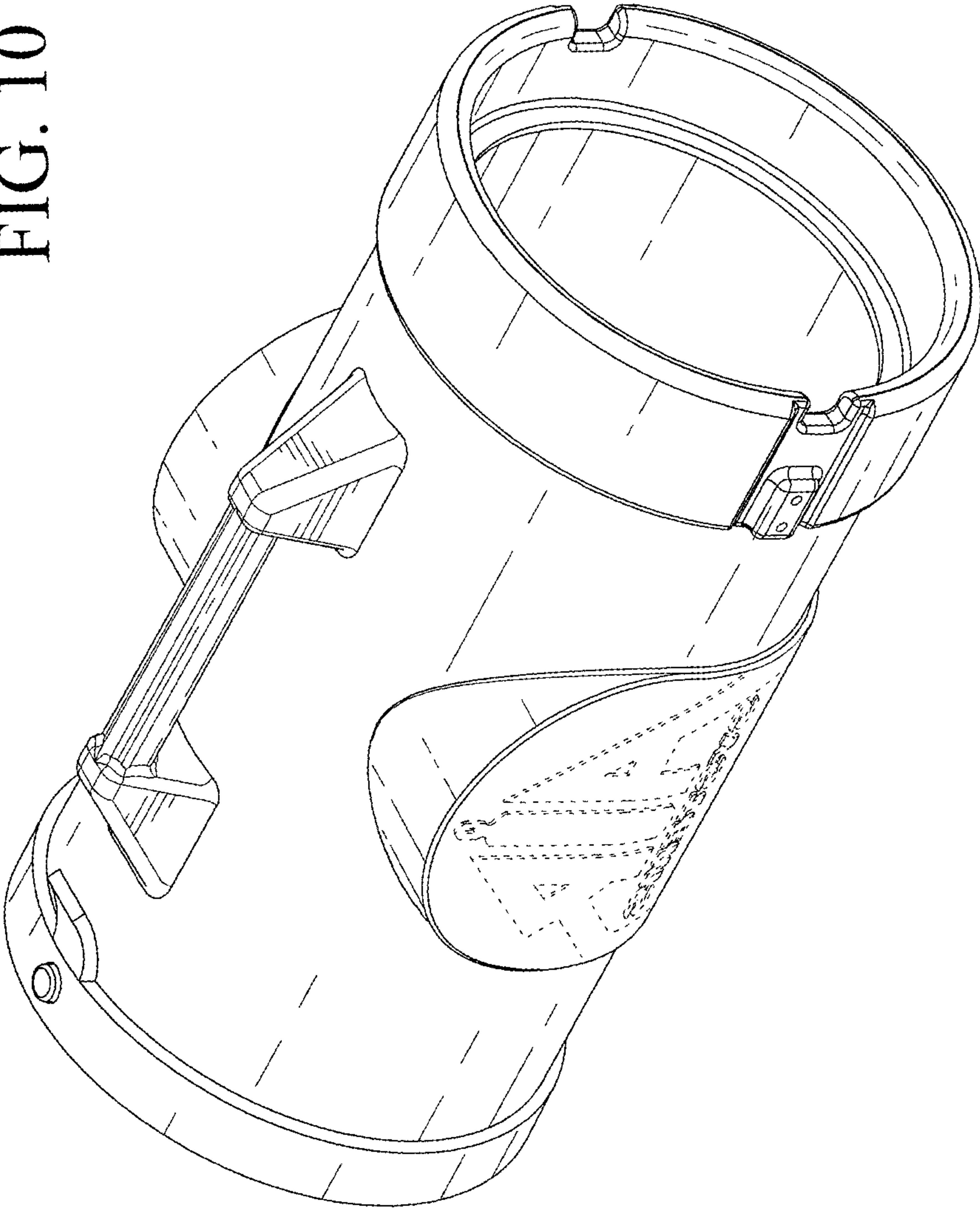


FIG. 9



FIG. 10



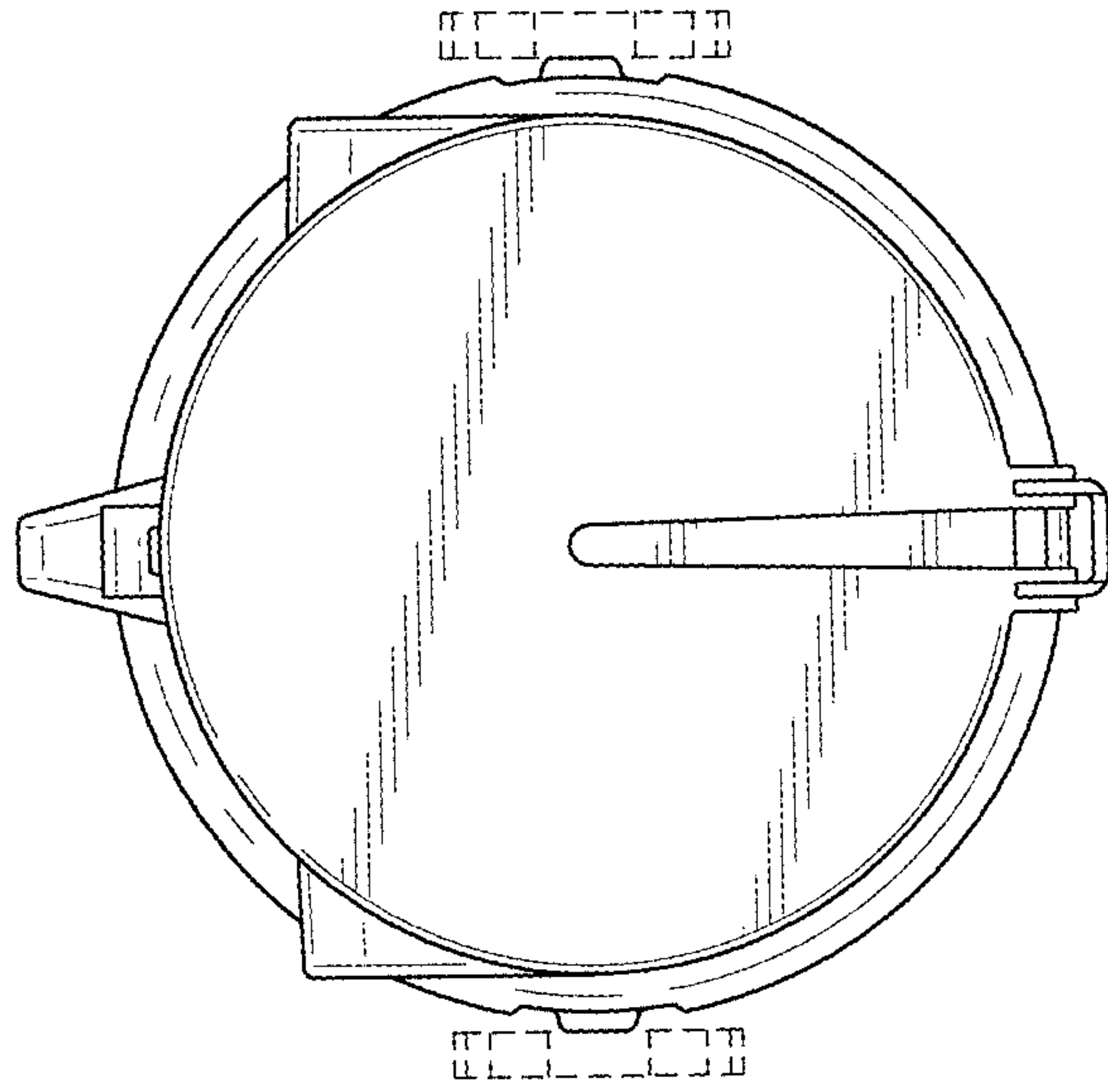


FIG. 12

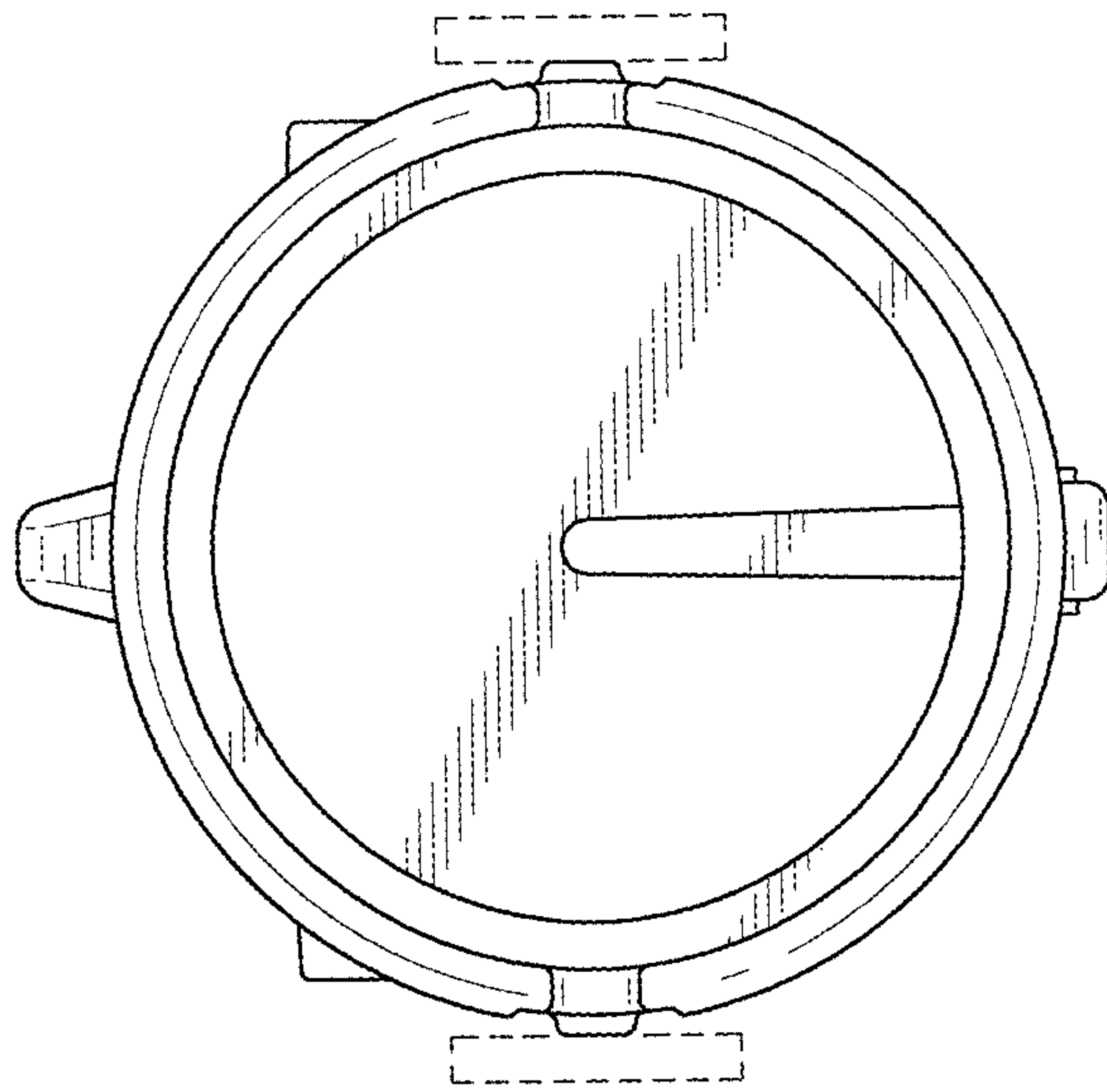


FIG. 11

FIG. 13

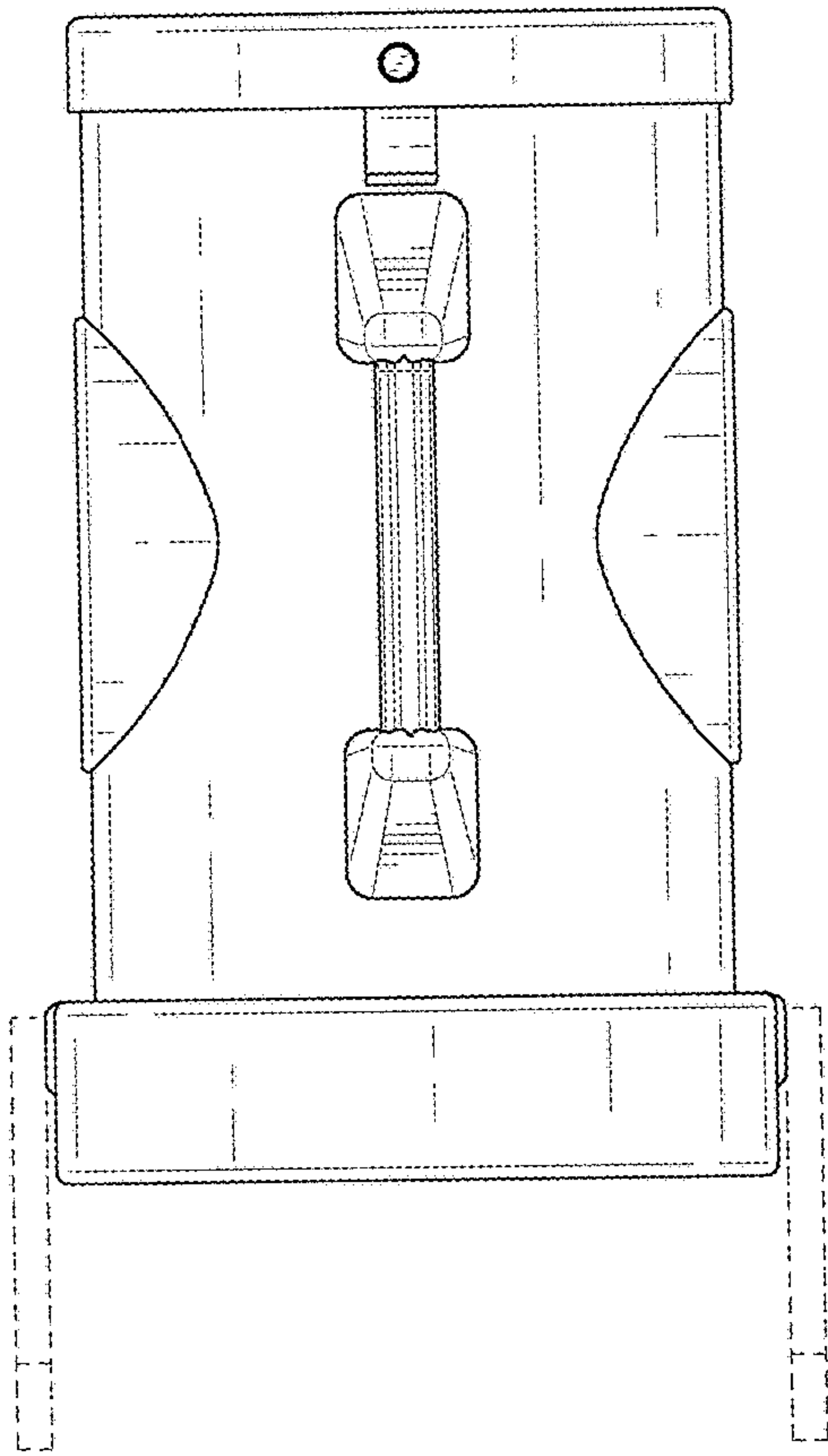
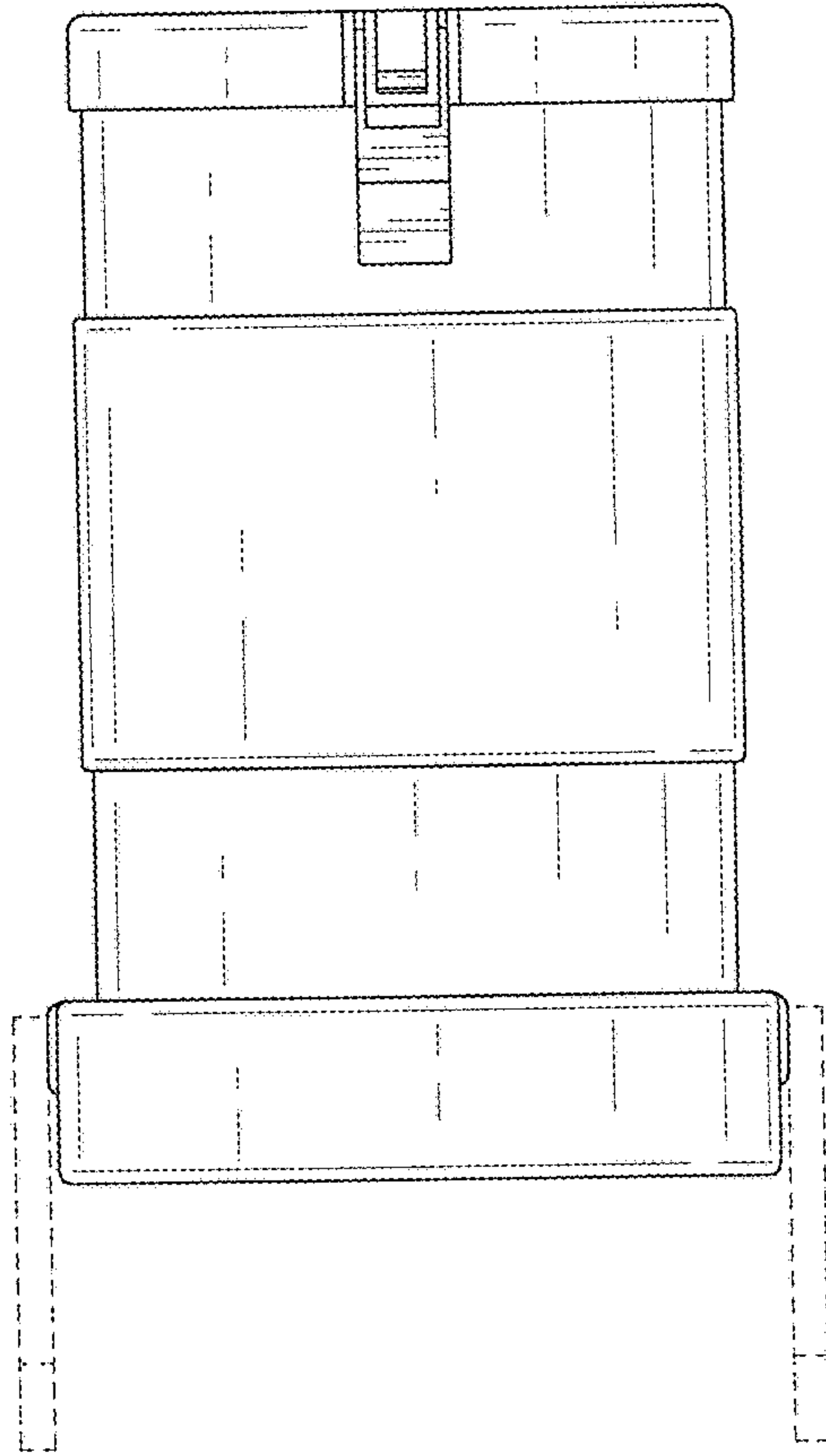


FIG. 14



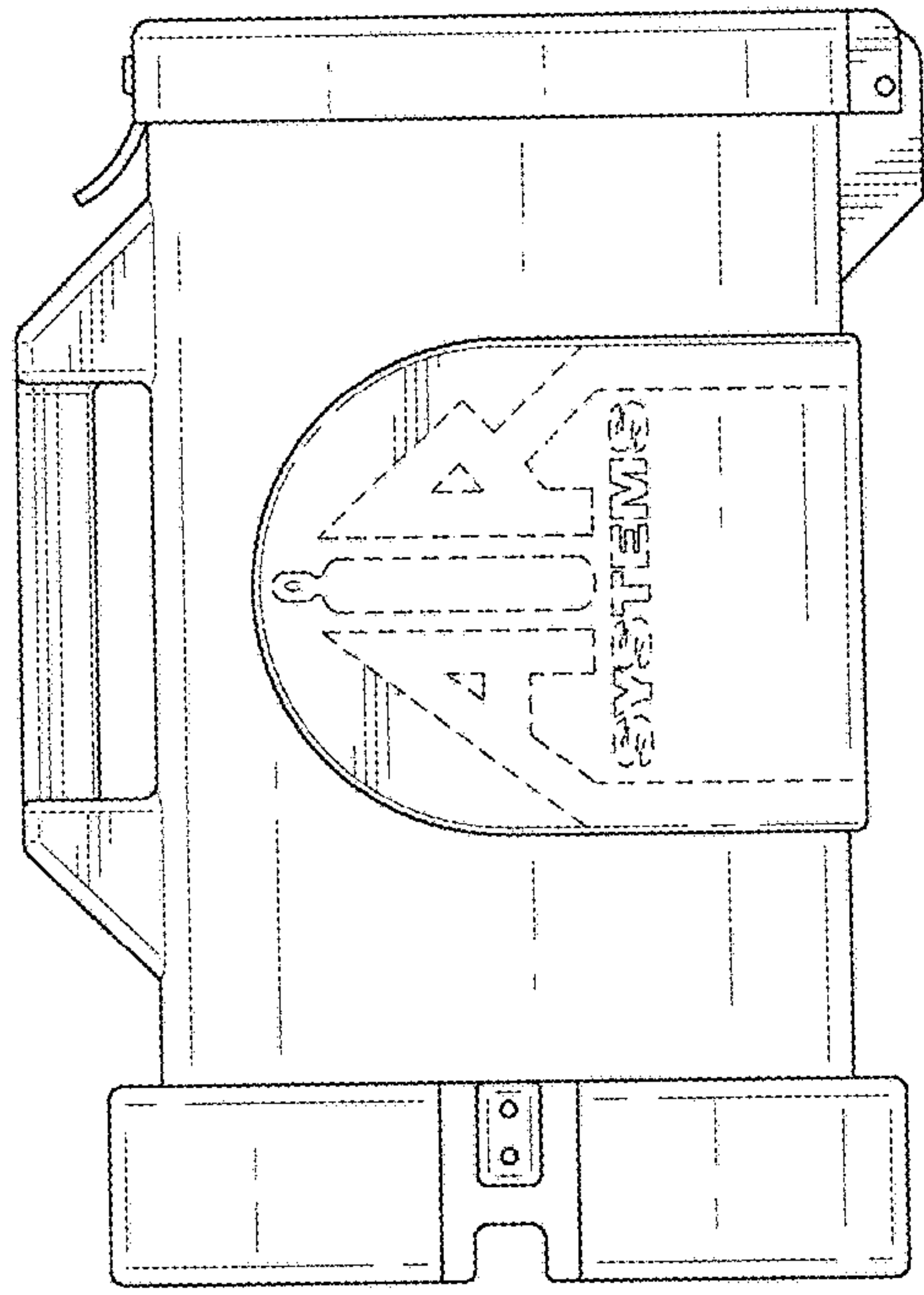


FIG. 15

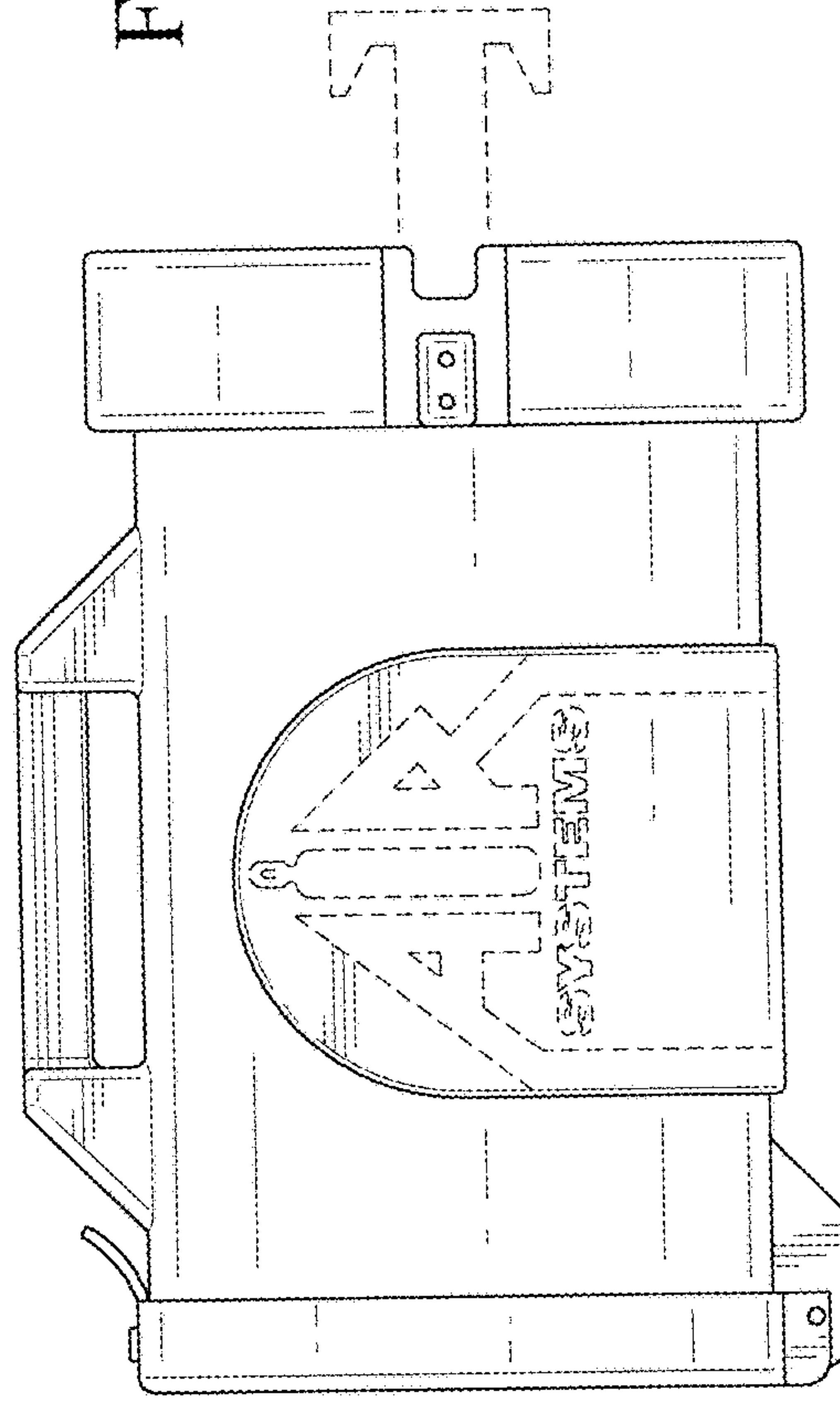


FIG. 16