



US00D827118S

(12) **United States Design Patent**
Stanhope et al.

(10) **Patent No.:** **US D827,118 S**
(45) **Date of Patent:** **** Aug. 28, 2018**

- (54) **FILTER**
- (71) Applicant: **Champion Laboratories, Inc.**, Albion, IL (US)
- (72) Inventors: **Kent Stanhope**, Albion, IL (US); **John Simms**, Albion, IL (US)
- (73) Assignee: **Champion Laboratories, Inc.**, Albion, IL (US)

- D425,189 S * 5/2000 Gillingham B01D 46/0002 D23/355
- 6,074,450 A * 6/2000 Raber B01D 46/10 55/497
- D439,963 S * 4/2001 Gieseke D23/365
- D646,369 S * 10/2011 Nelson D23/365
- D692,543 S * 10/2013 Gorman D23/365
- D764,041 S * 8/2016 Hugues D23/365
- D774,634 S * 12/2016 Hugues D23/365
- 2016/0023137 A1 * 1/2016 Sorger B01D 46/4236 210/435

(**) Term: **15 Years**

(21) Appl. No.: **29/599,938**

(22) Filed: **Apr. 7, 2017**

(51) **LOC (11) Cl.** **23-04**

(52) **U.S. Cl.**
USPC **D23/365**

(58) **Field of Classification Search**
USPC D23/209, 341, 358, 363-365; D15/5
CPC F02M 35/04; F02M 35/10; F02M 35/024;
B01D 46/0002; B01D 46/10
See application file for complete search history.

(56) **References Cited**

U.S. PATENT DOCUMENTS

- D380,536 S * 7/1997 Ellwood D23/364
- D403,059 S * 12/1998 Flor D23/365

* cited by examiner

Primary Examiner — Brandon M Rosati

Assistant Examiner — John A Voytek

(74) *Attorney, Agent, or Firm* — Barnes & Thornburg LLP; Mark J. Nahnsen

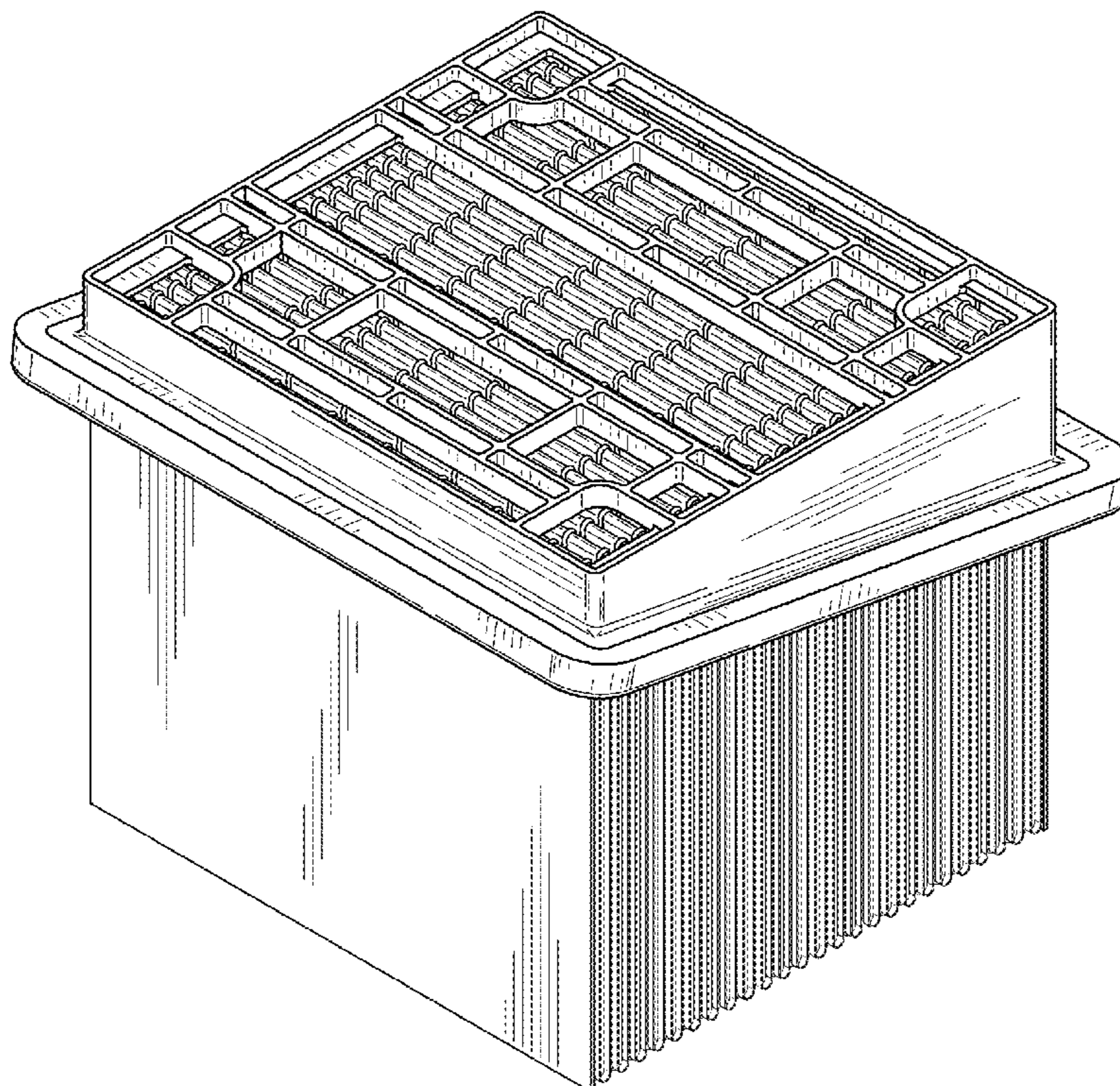
(57) **CLAIM**

The ornamental design for a filter, as shown and described.

DESCRIPTION

FIG. 1 is a front perspective view of a filter;
FIG. 2 is a front view thereof;
FIG. 3 is a rear view thereof;
FIG. 4 is a right side view thereof;
FIG. 5 is left side view thereof;
FIG. 6 is a top view thereof; and,
FIG. 7 is a bottom view thereof.

1 Claim, 5 Drawing Sheets



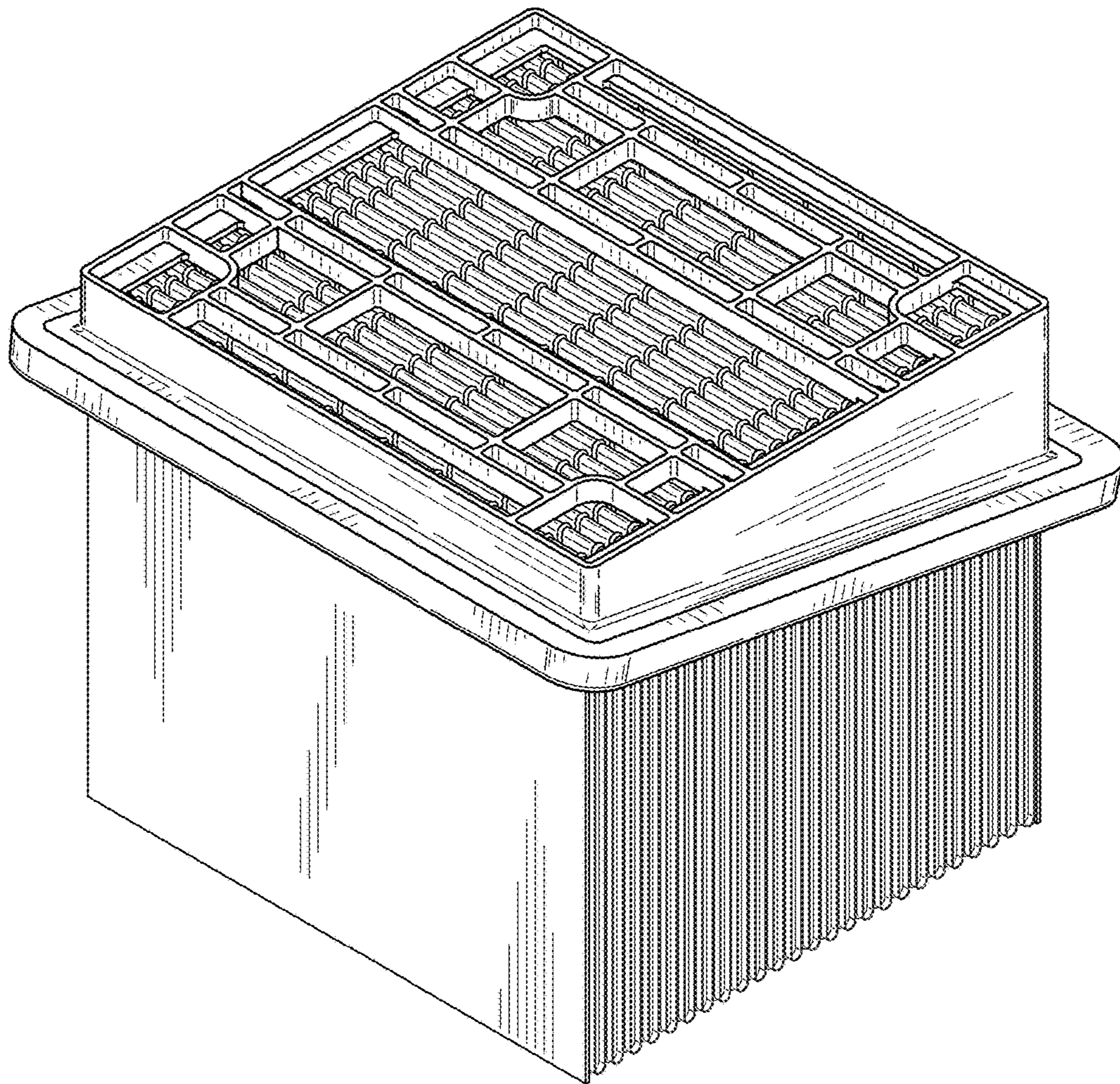


FIG. 1

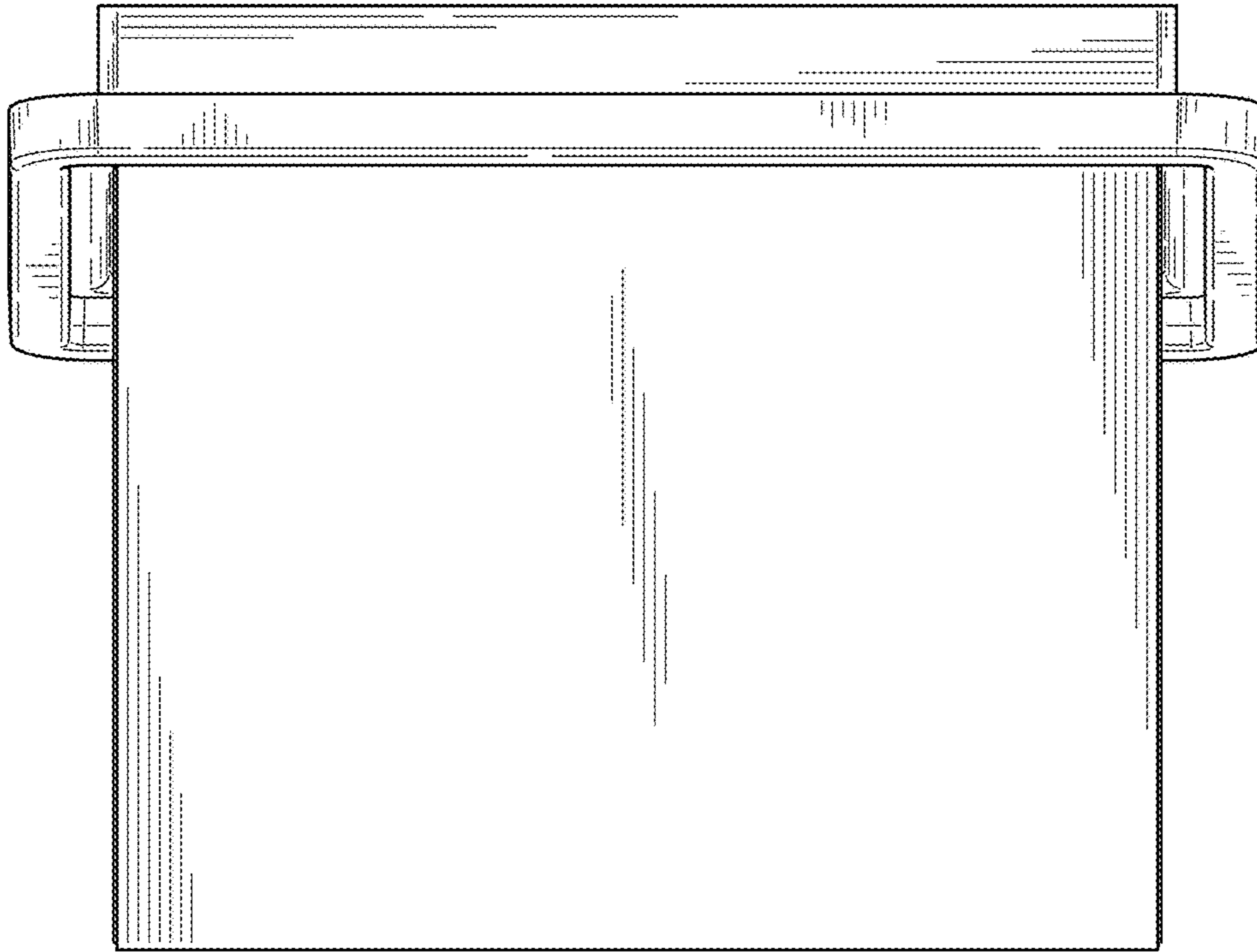


FIG. 2

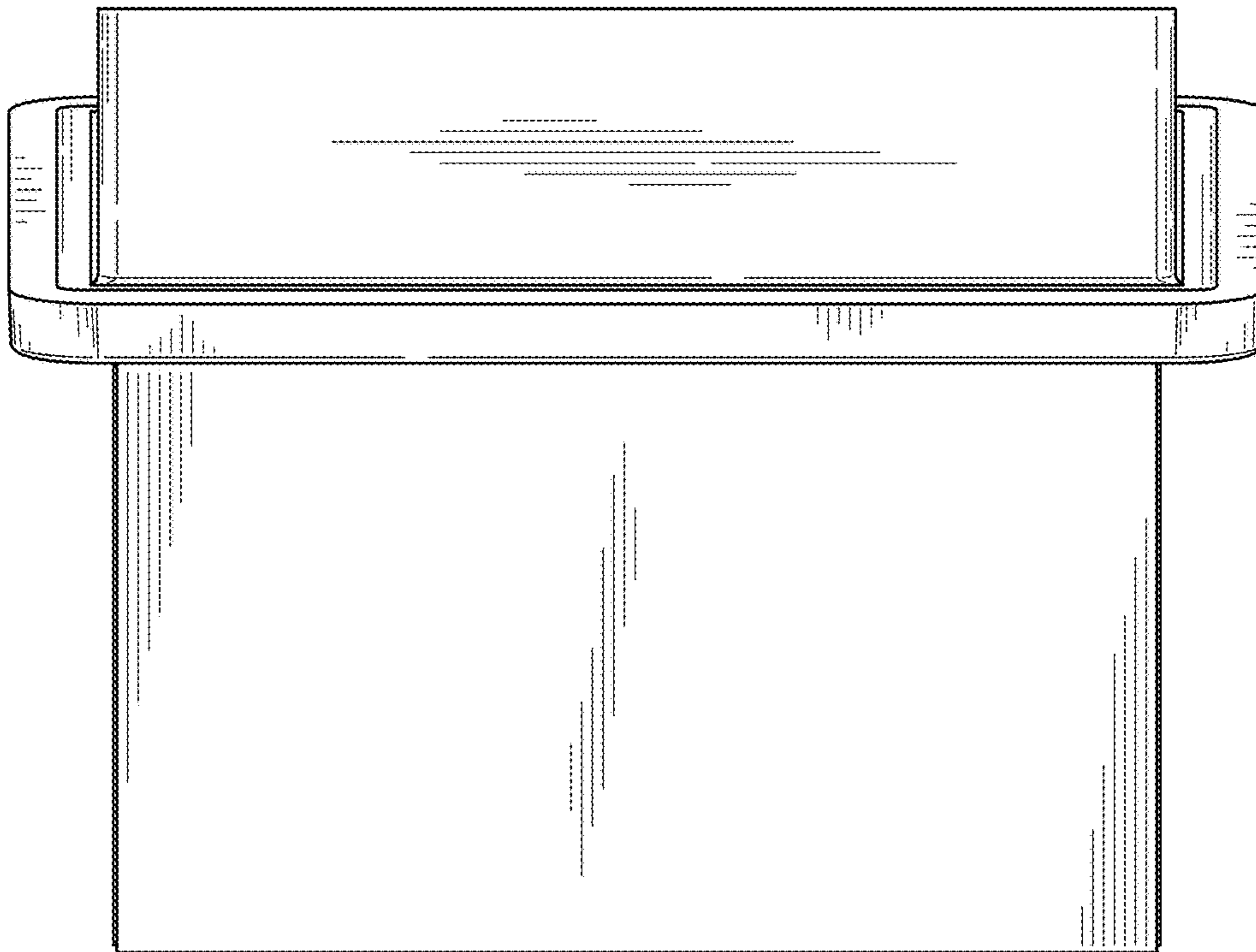


FIG. 3

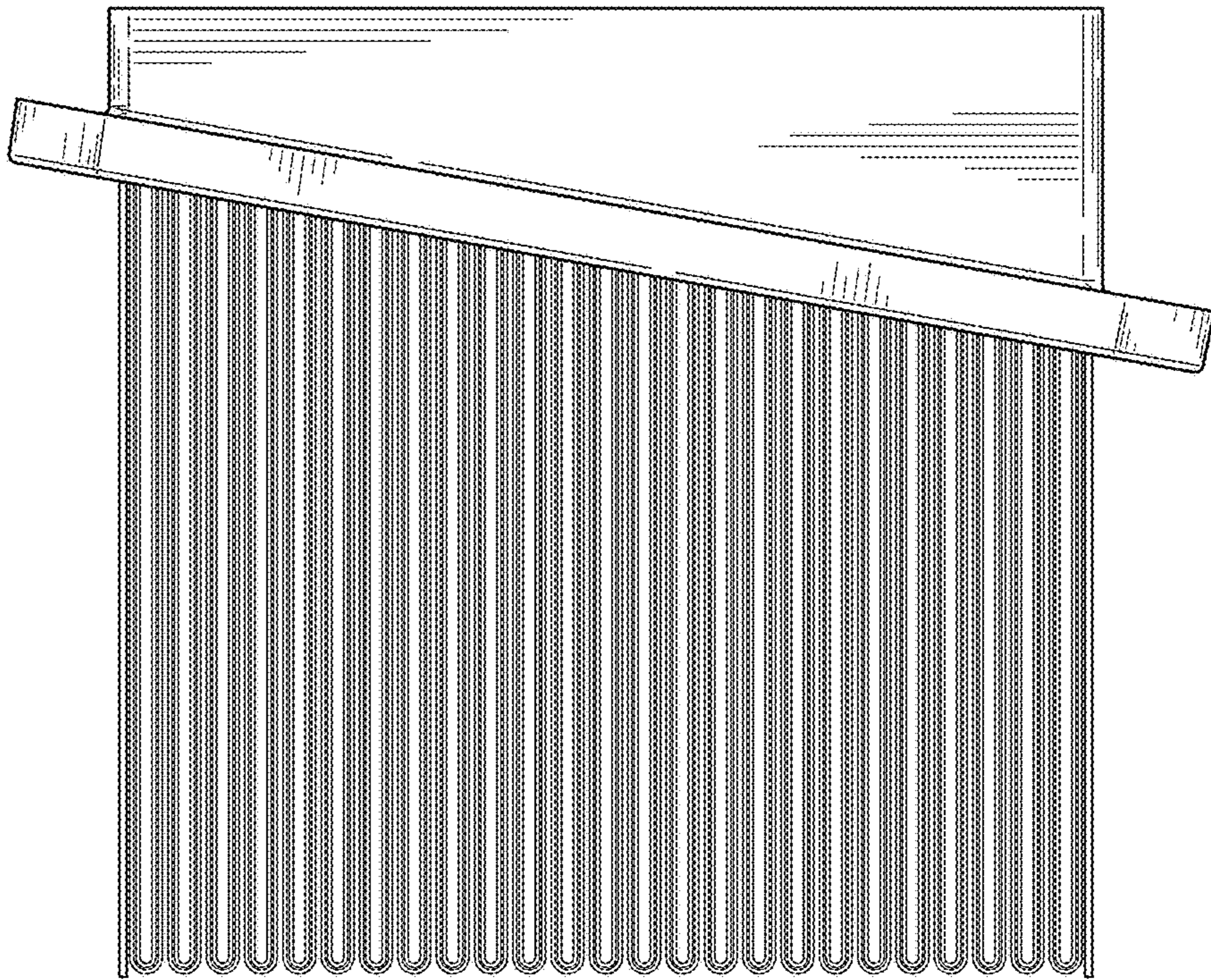


FIG. 4

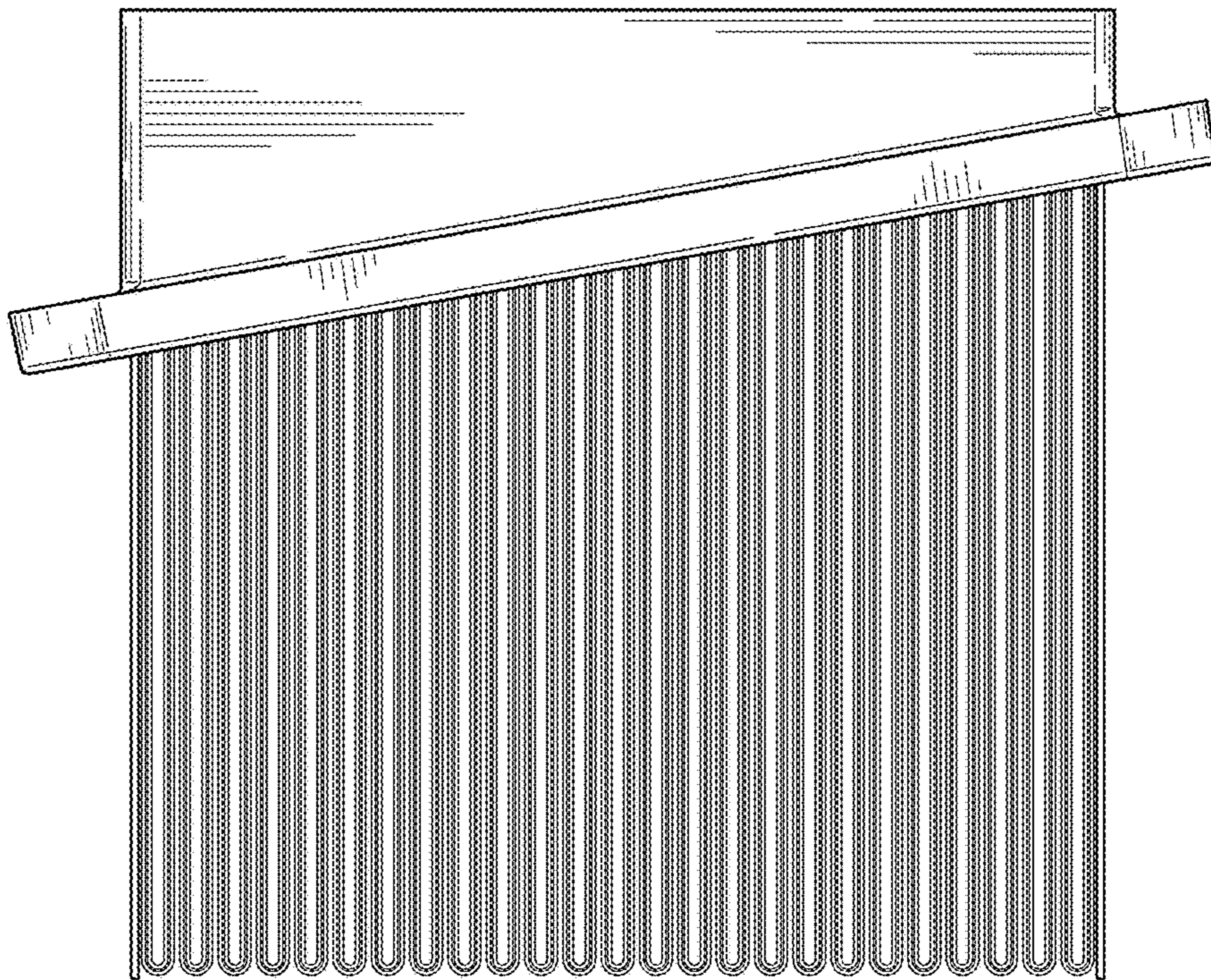


FIG. 5

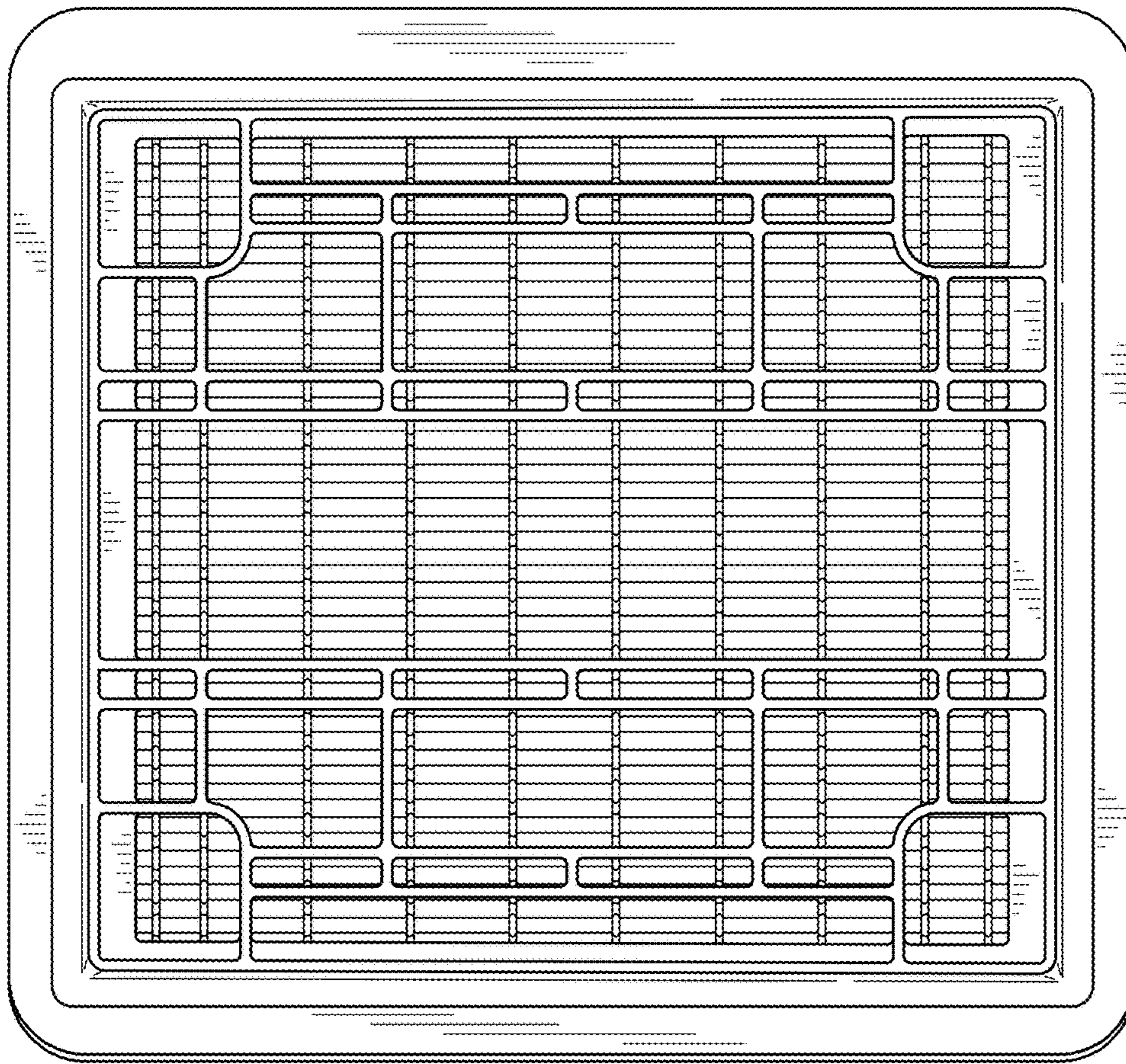


FIG. 6

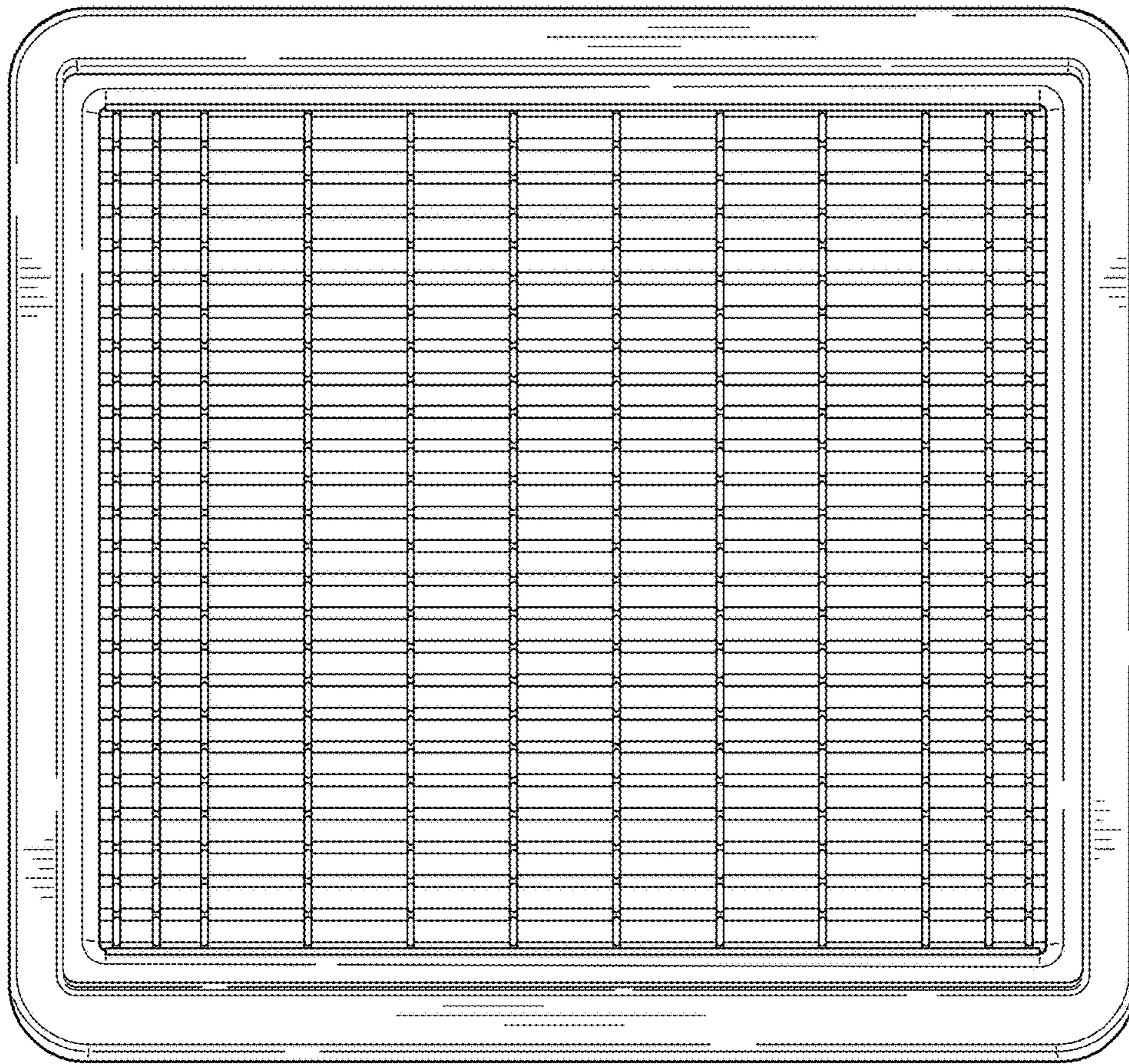


FIG. 7