



US00D827116S

(12) **United States Design Patent** (10) **Patent No.:** **US D827,116 S**  
**Isshiki** (45) **Date of Patent:** **\*\* Aug. 28, 2018**

(54) **AIR CONDITIONER**  
(71) Applicant: **Toshiba Carrier Corporation,**  
Kawasaki-shi, Kanagawa (JP)  
(72) Inventor: **Masao Isshiki,** Tokyo (JP)  
(73) Assignee: **TOSHIBA CARRIER**  
**CORPORATION,** Kawasaki-shi (JP)

D616,082 S \* 5/2010 Tsuji ..... D23/351  
D705,409 S \* 5/2014 Hagiwara ..... D23/351  
D724,715 S \* 3/2015 Isshiki ..... D23/351  
D759,222 S \* 6/2016 Kosuge ..... D23/351  
D773,023 S \* 11/2016 Nishiguchi ..... D23/351  
D773,024 S \* 11/2016 Nishiguchi ..... D23/351  
D773,025 S \* 11/2016 Nishiguchi ..... D23/351  
2009/0025414 A1 \* 1/2009 Koga ..... F24F 1/0007  
62/263

\* cited by examiner

(\*\*) Term: **15 Years**  
(21) Appl. No.: **29/599,589**  
(22) Filed: **Apr. 5, 2017**

*Primary Examiner* — George D. Kirschbaum  
*Assistant Examiner* — Natasha Vujcic  
(74) *Attorney, Agent, or Firm* — Westerman, Hattori,  
Daniels & Adrian, LLP

(30) **Foreign Application Priority Data**

Oct. 5, 2016 (JP) ..... 2016-021695

(51) **LOC (11) Cl.** ..... **23-04**

(52) **U.S. Cl.**  
USPC ..... **D23/351**

(58) **Field of Classification Search**  
USPC ..... D23/333, 335, 341, 342, 351, 353, 354,  
D23/355, 356, 359, 364, 365, 370, 385,  
D23/386, 388, 393  
CPC .... F24F 1/00; F24F 1/0007; F24F 1/02; F24F  
1/08; F24F 1/42; F24F 1/56; F24F 1/60;  
F24F 3/044; F24F 3/048; F24F 3/16;  
F24F 7/00; F24F 7/04; F24F 12/001;  
F24F 12/006  
See application file for complete search history.

(56) **References Cited**

**U.S. PATENT DOCUMENTS**

D401,682 S \* 11/1998 Galeazzi ..... D23/351  
D537,511 S \* 2/2007 Nagahori ..... D23/351  
D539,404 S \* 3/2007 Nagahori ..... D23/351  
D579,094 S \* 10/2008 Motonishi ..... D23/351

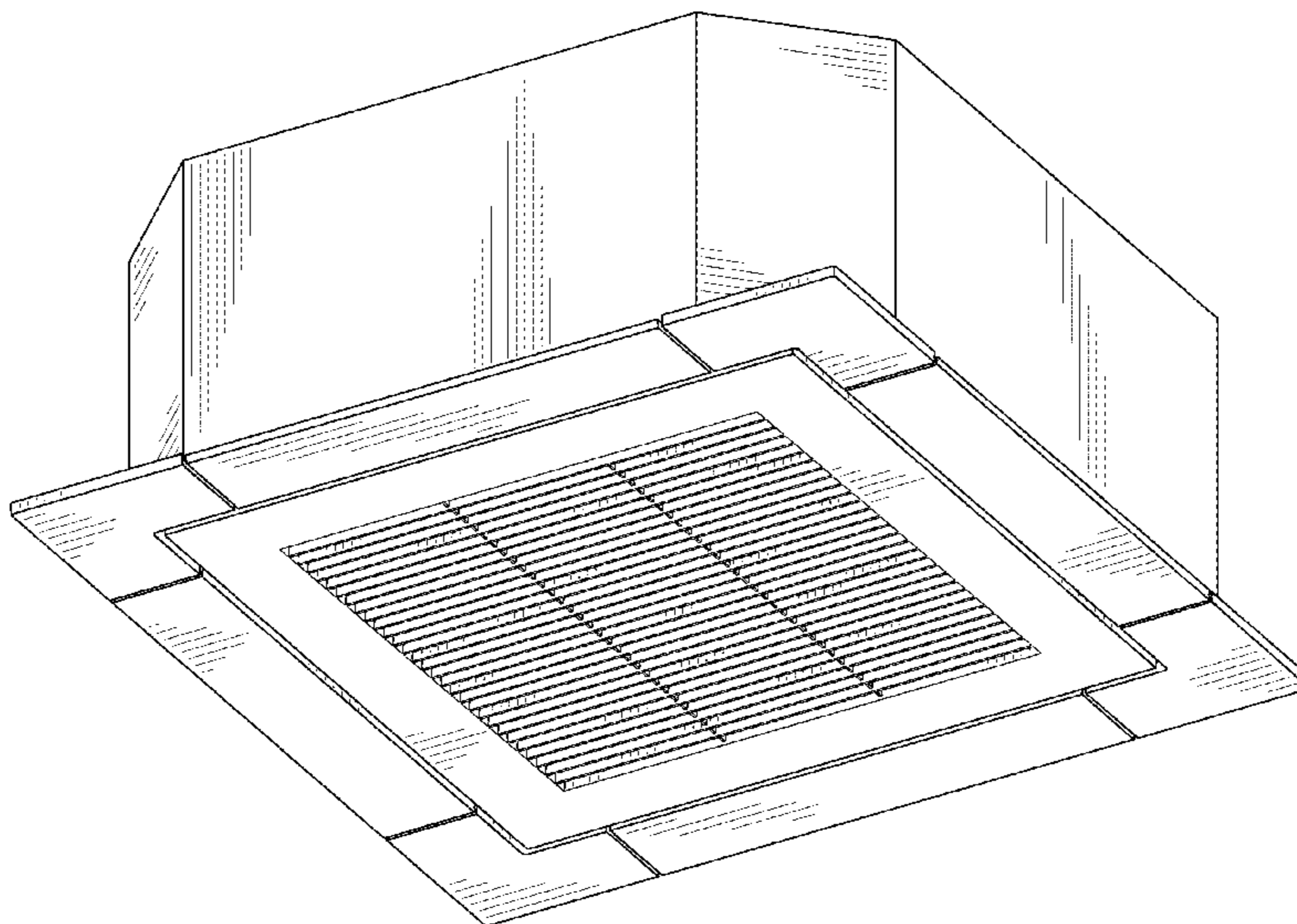
(57) **CLAIM**

The ornamental design for an air conditioner, as shown and described.

**DESCRIPTION**

FIG. 1 is a top, front, and right side perspective view of an air conditioner, showing our new design.  
FIG. 2 a top, front and right side perspective view thereof, showing the louvers in an alternate position.  
FIG. 3 is a front elevational view thereof.  
FIG. 4 is a right side elevational view thereof, the left side elevational view being a mirror image thereof.  
FIG. 5 is a rear elevational view thereof.  
FIG. 6 is a top plan view thereof, the bottom plan view being a mirror image thereof; and,  
FIG. 7 is a cross-sectional view thereof, taken along line 7-7 of FIG. 3.  
The broken lines illustrate environmental structure and form no part of the claimed design. The sectional view is provided to clarify the exact contour or configuration of the exterior surface of the air conditioner, and no attempt is made to illustrate all the features of the internal construction.

**1 Claim, 6 Drawing Sheets**



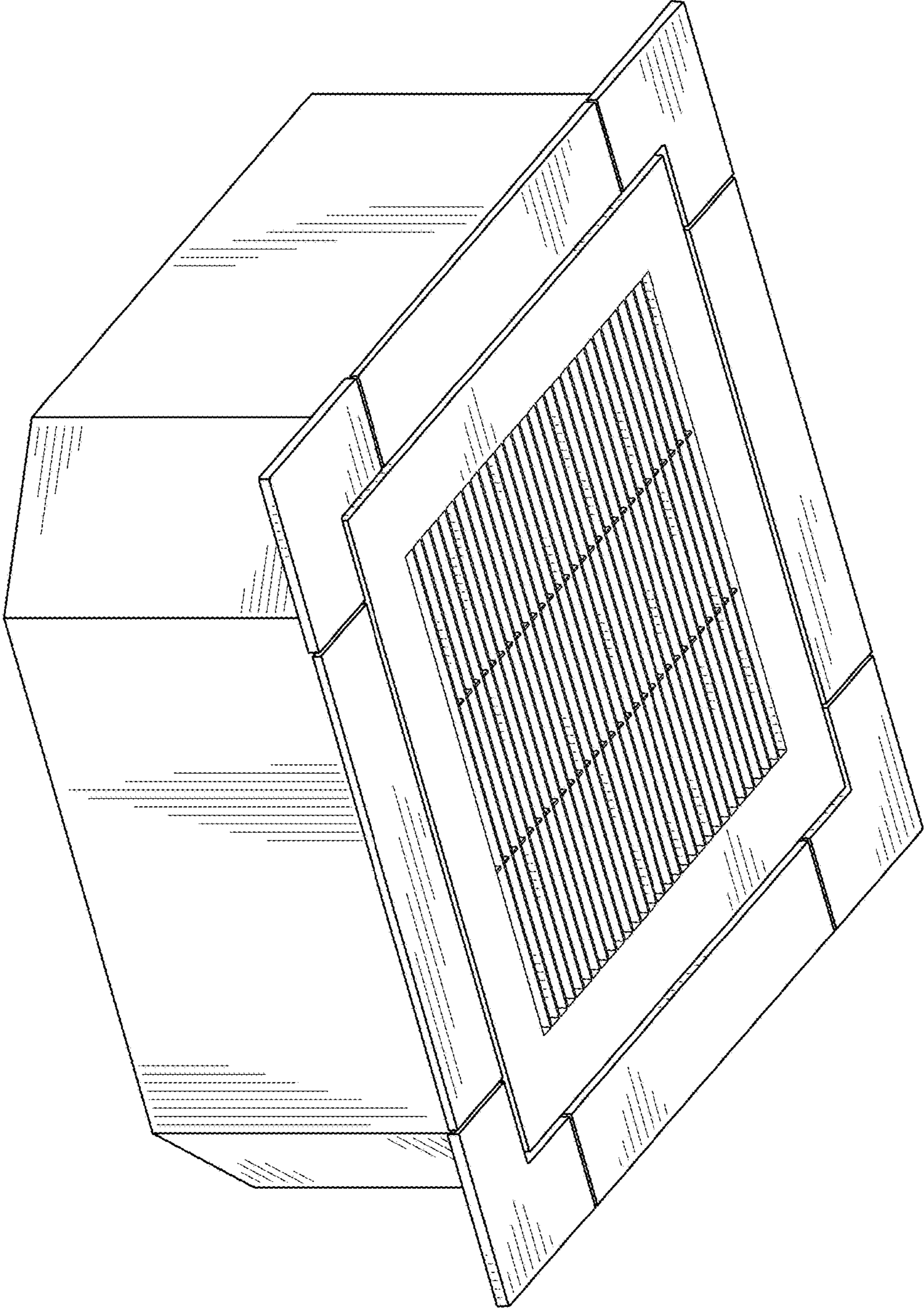


FIG. 1

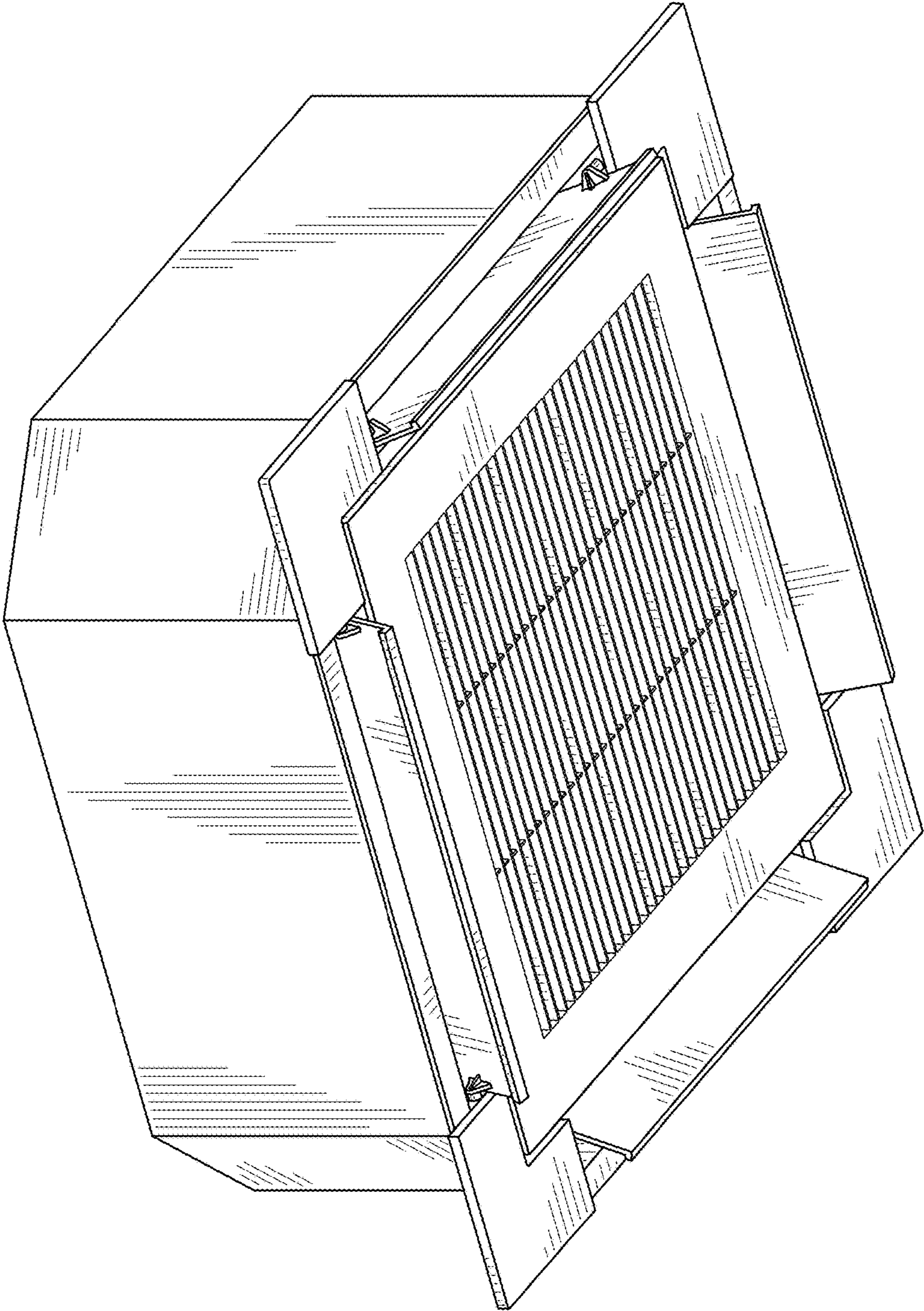


FIG. 2

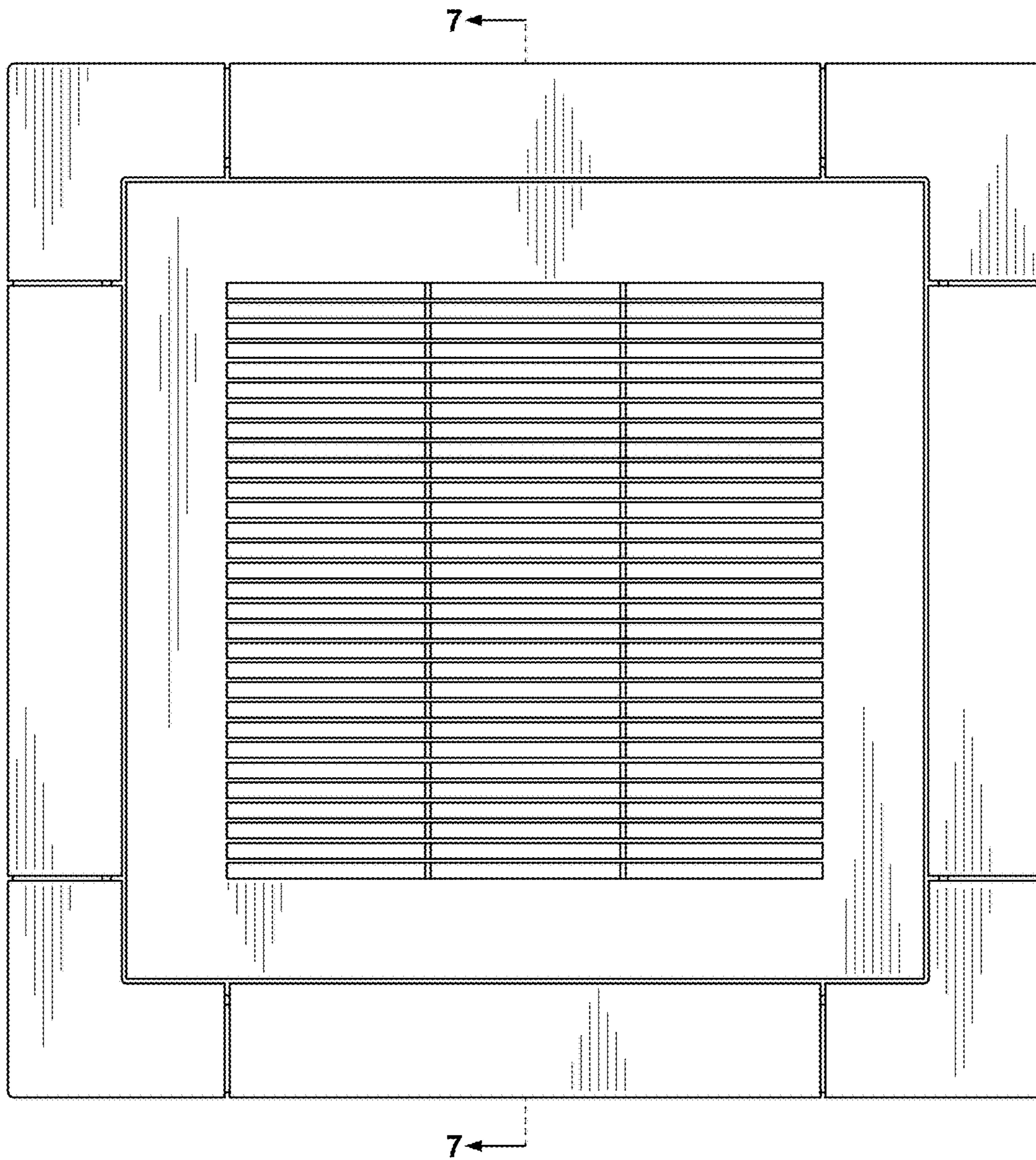


FIG. 3

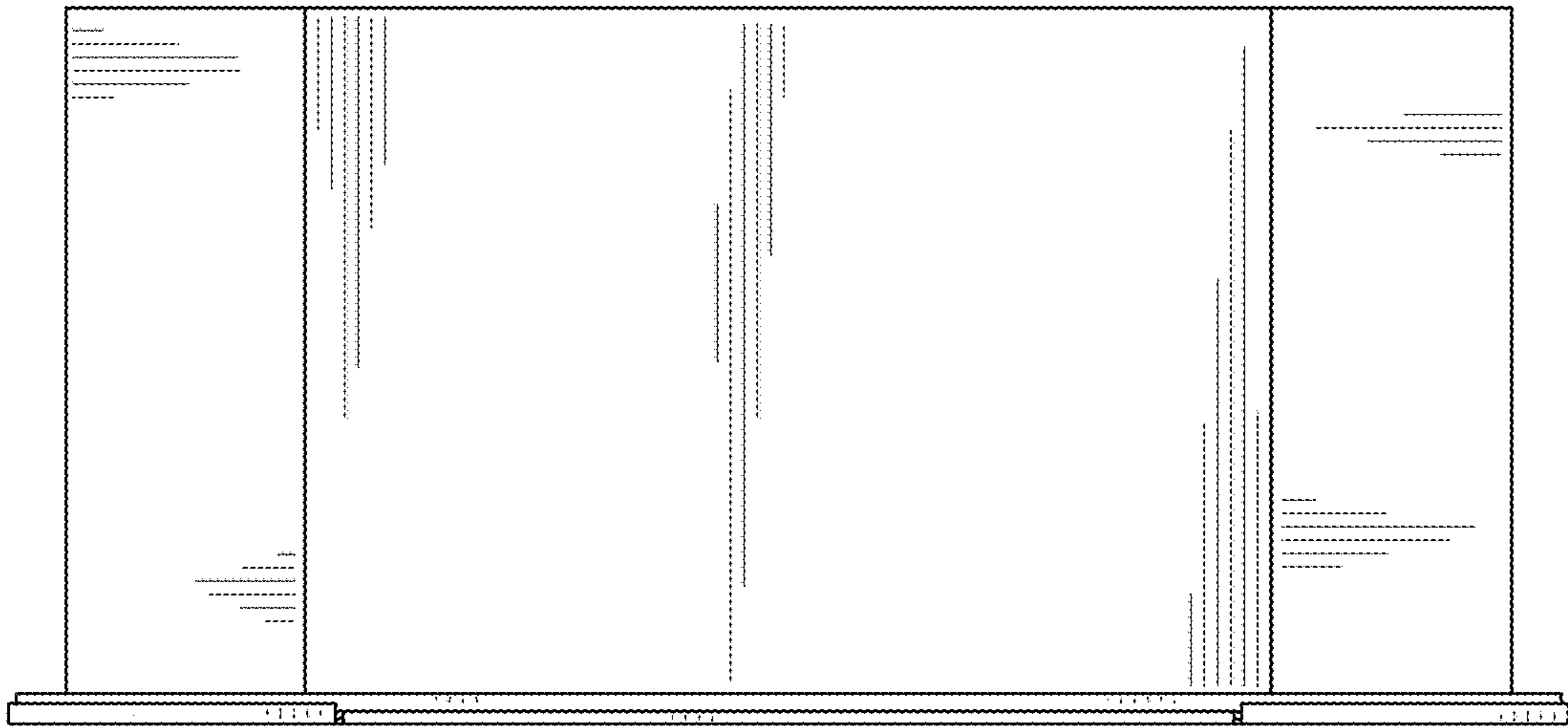


FIG. 4

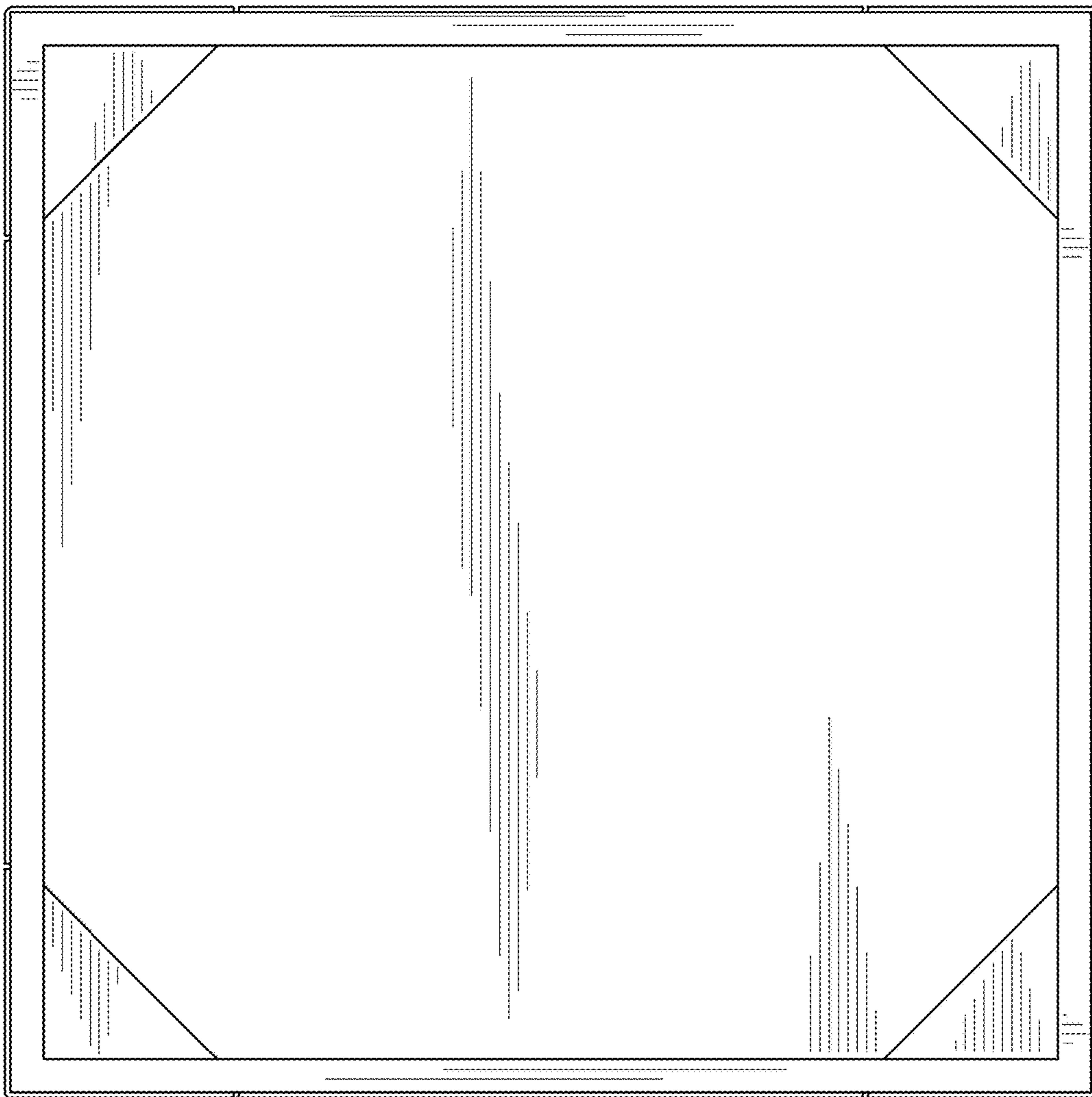


FIG. 5

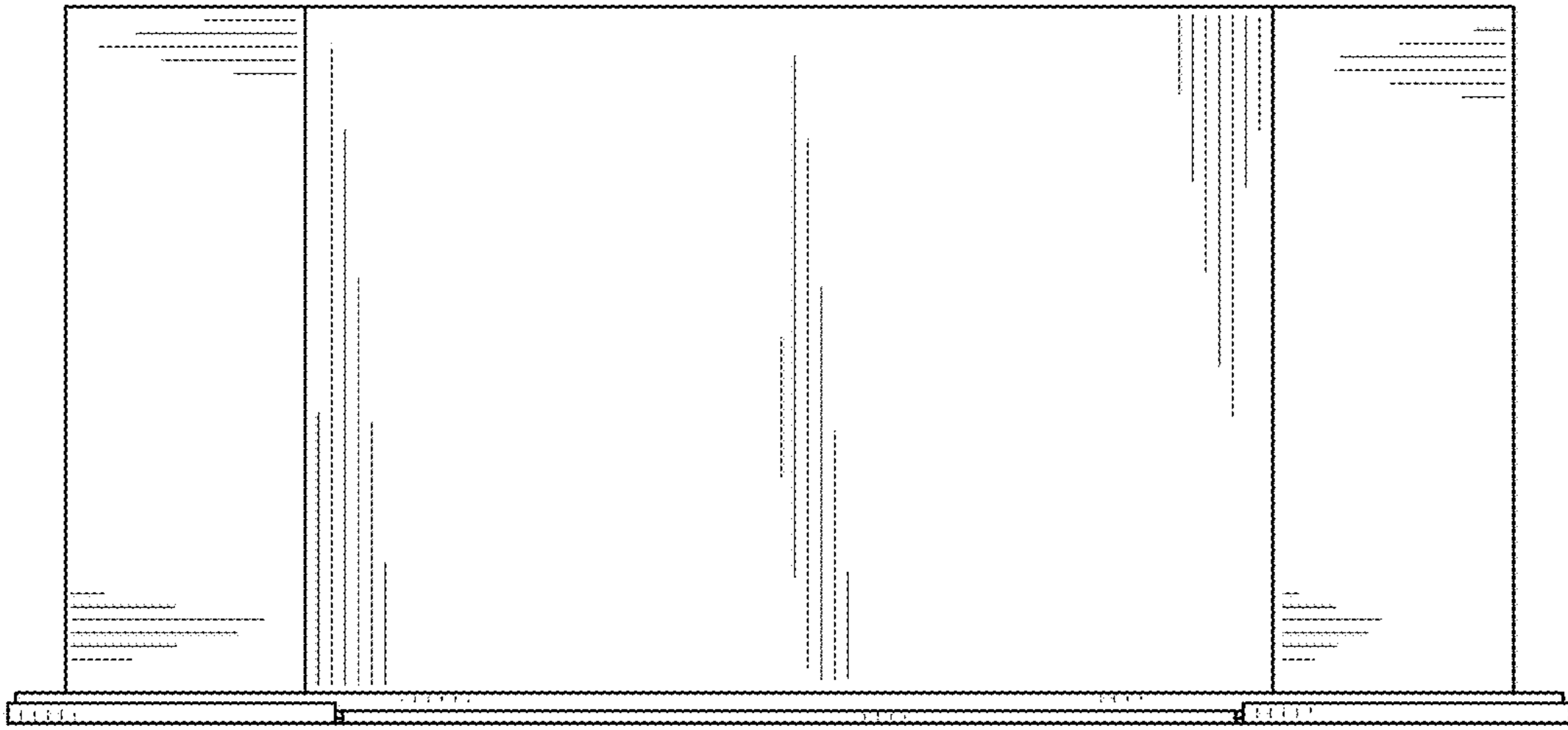


FIG. 6

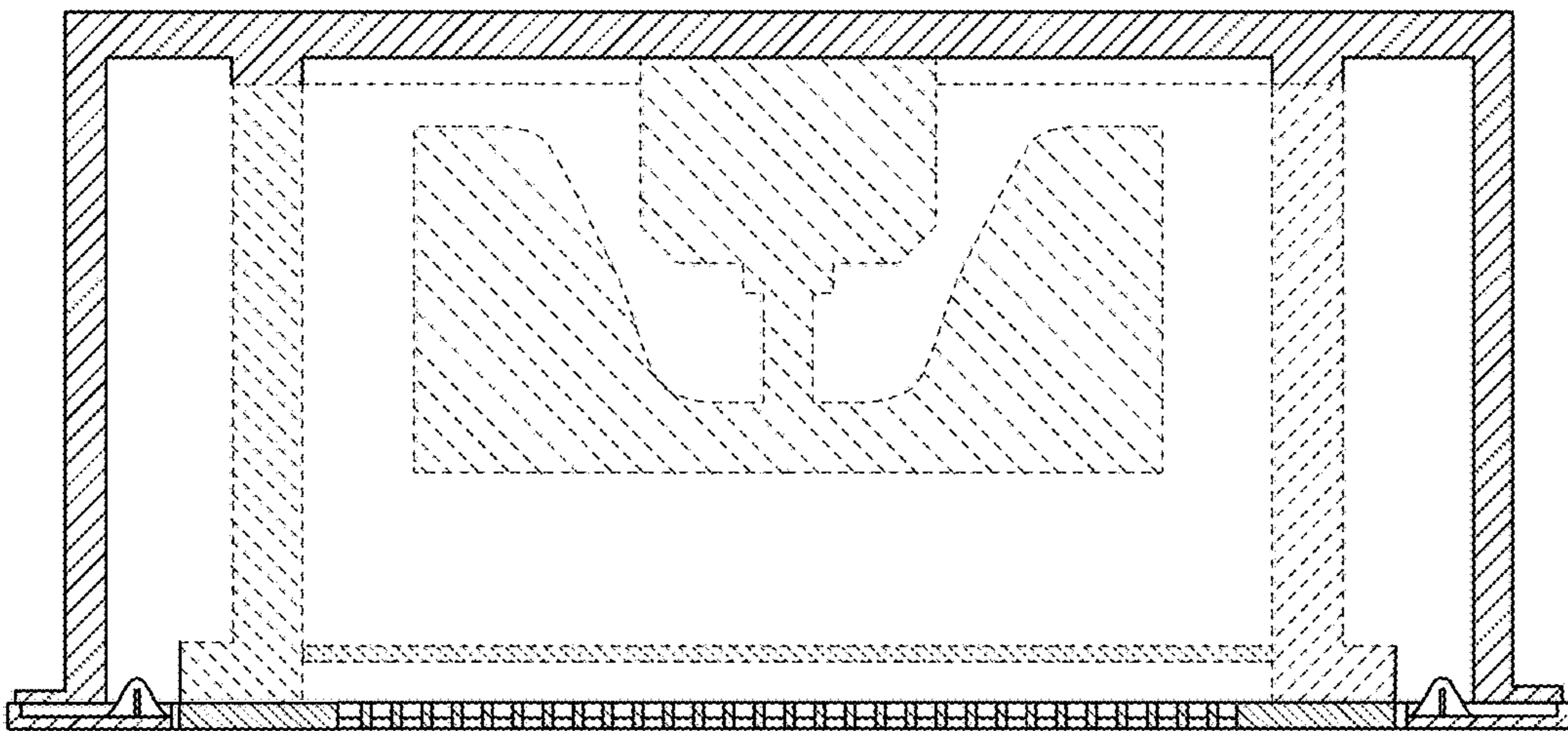


FIG. 7