



US00D827115S

(12) **United States Design Patent** (10) **Patent No.:** **US D827,115 S**
Petersen et al. (45) **Date of Patent:** **** Aug. 28, 2018**

(54) **AIR COOLER**
(71) Applicant: **FKA Distributing Co., LLC**,
Commerce Township, MI (US)
(72) Inventors: **Christopher Michael Petersen**,
Commerce Township, MI (US); **Yigal**
Offir, Birmingham, MI (US); **Lori**
Scooros, Macomb, MI (US); **Herb**
Conroy, West Bloomfield, MI (US)
(73) Assignee: **FKA Distributing Co., LLC**,
Commerce Township, MI (US)
(**) Term: **15 Years**

D414,253 S * 9/1999 Kobayashi D23/351
6,101,831 A 8/2000 Ciccone
6,149,141 A 11/2000 Birdsell et al.
6,223,548 B1 5/2001 Calvert
6,502,414 B1 1/2003 Calvert
D493,215 S * 7/2004 Asaoka D23/351
6,915,654 B2 7/2005 Johnson
D532,889 S * 11/2006 Shimizu D23/351
D543,614 S * 5/2007 Chen D23/382
D553,725 S * 10/2007 Shimizu D23/351
D559,973 S * 1/2008 Rabito D23/412
D594,960 S * 6/2009 Orihara D23/366
D606,645 S * 12/2009 Orihara D23/366
D626,206 S * 10/2010 Orihara D23/366
6,223,548 C1 3/2011 Calvert
D710,487 S * 8/2014 Lin D23/355
D726,892 S 4/2015 Chan

(Continued)

(21) Appl. No.: **29/597,331**
(22) Filed: **Mar. 16, 2017**
(51) **LOC (11) Cl.** **23-04**
(52) **U.S. Cl.**
USPC **D23/333**
(58) **Field of Classification Search**
USPC D23/333, 335, 341, 342, 351, 353, 354,
D23/355, 356, 359, 364, 365, 370, 385,
D23/386, 388, 393
CPC F24F 1/00; F24F 1/0007; F24F 1/02; F24F
1/08; F24F 1/42; F24F 1/56; F24F 1/60;
F24F 3/044; F24F 3/048; F24F 3/16;
F24F 7/00; F24F 7/04; F24F 12/001;
F24F 12/006
See application file for complete search history.

FOREIGN PATENT DOCUMENTS

CN 303331327 S 8/2015
Primary Examiner — George D. Kirschbaum
Assistant Examiner — Natasha Vujcic
(74) *Attorney, Agent, or Firm* — Brooks Kushman P.C.

(57) **CLAIM**

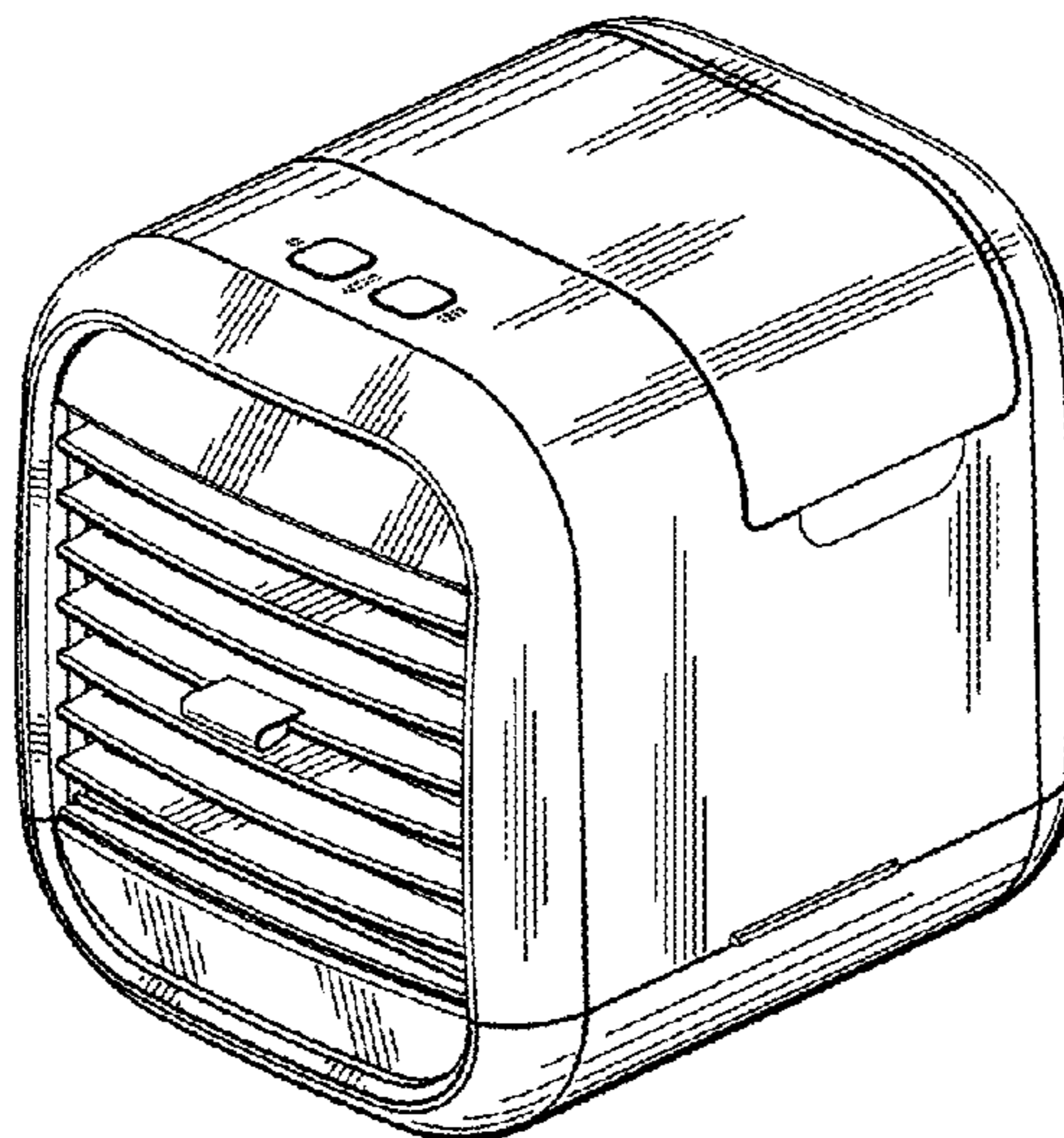
The ornamental design for an air cooler, as shown and described.

DESCRIPTION

FIG. 1 is a perspective view of an air cooler according to our design;
FIG. 2 is a front view of the air cooler;
FIG. 3 is a rear view of the air cooler;
FIG. 4 is a right view of the air cooler;
FIG. 5 is a left view of the air cooler;
FIG. 6 is a top view of the air cooler; and,
FIG. 7 is a bottom view of the air cooler.
The broken lines in the drawings illustrate portions of the air cooler which form no part of the claimed design.

1 Claim, 3 Drawing Sheets

(56) **References Cited**
U.S. PATENT DOCUMENTS
D188,357 S * 7/1960 Klotz, Jr. D23/333
D279,815 S * 7/1985 Yuen D23/356
D291,350 S * 8/1987 Sherman D23/335
5,168,722 A 12/1992 Brock
D361,828 S * 8/1995 Chen D23/332
D403,757 S * 1/1999 Aketa D23/351



(56)

References Cited

U.S. PATENT DOCUMENTS

D733,273 S * 6/2015 Jeon D23/333
D733,860 S * 7/2015 Konno D23/366
D804,001 S * 11/2017 Cartwright D23/355

* cited by examiner

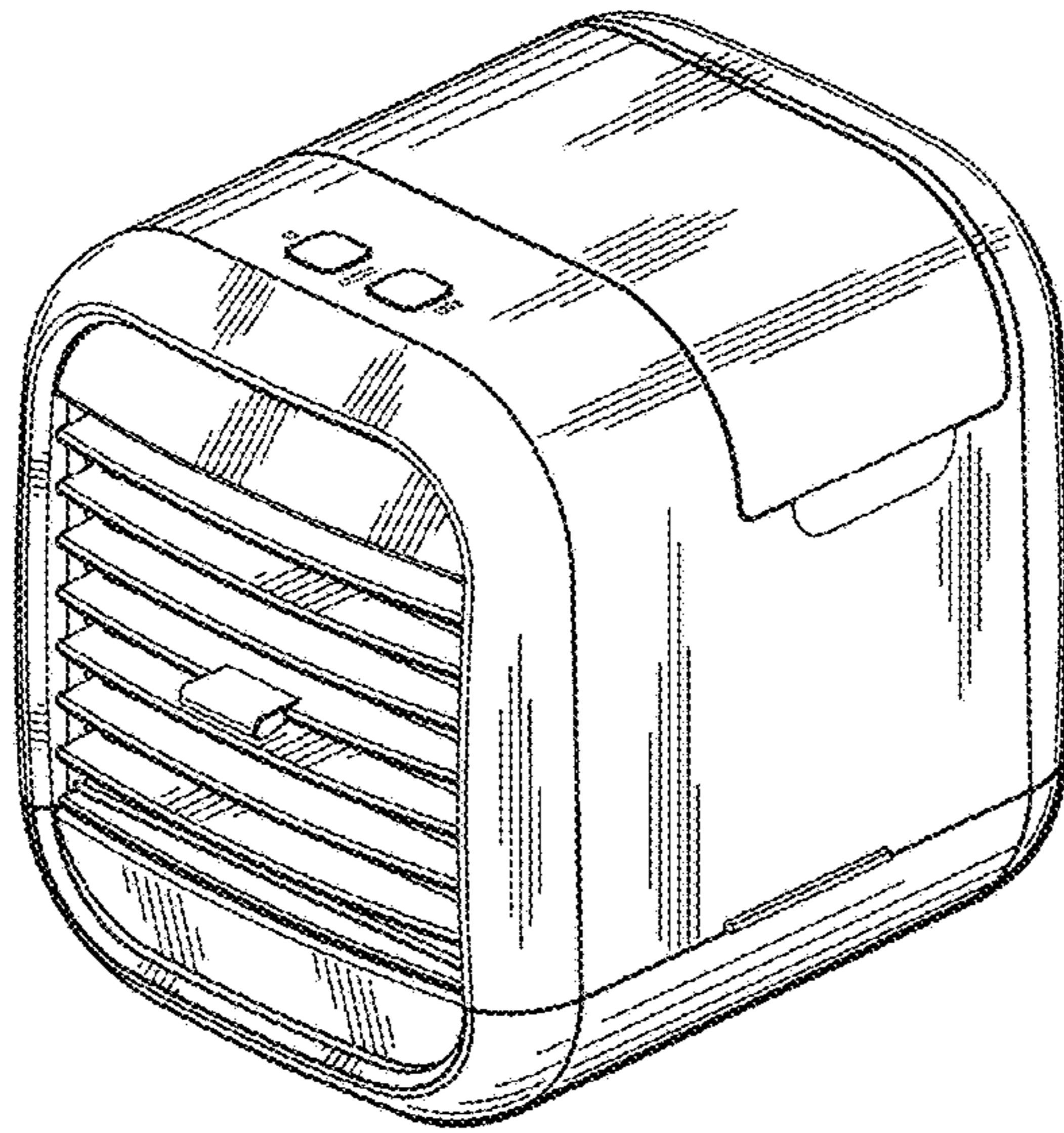


FIG. 1

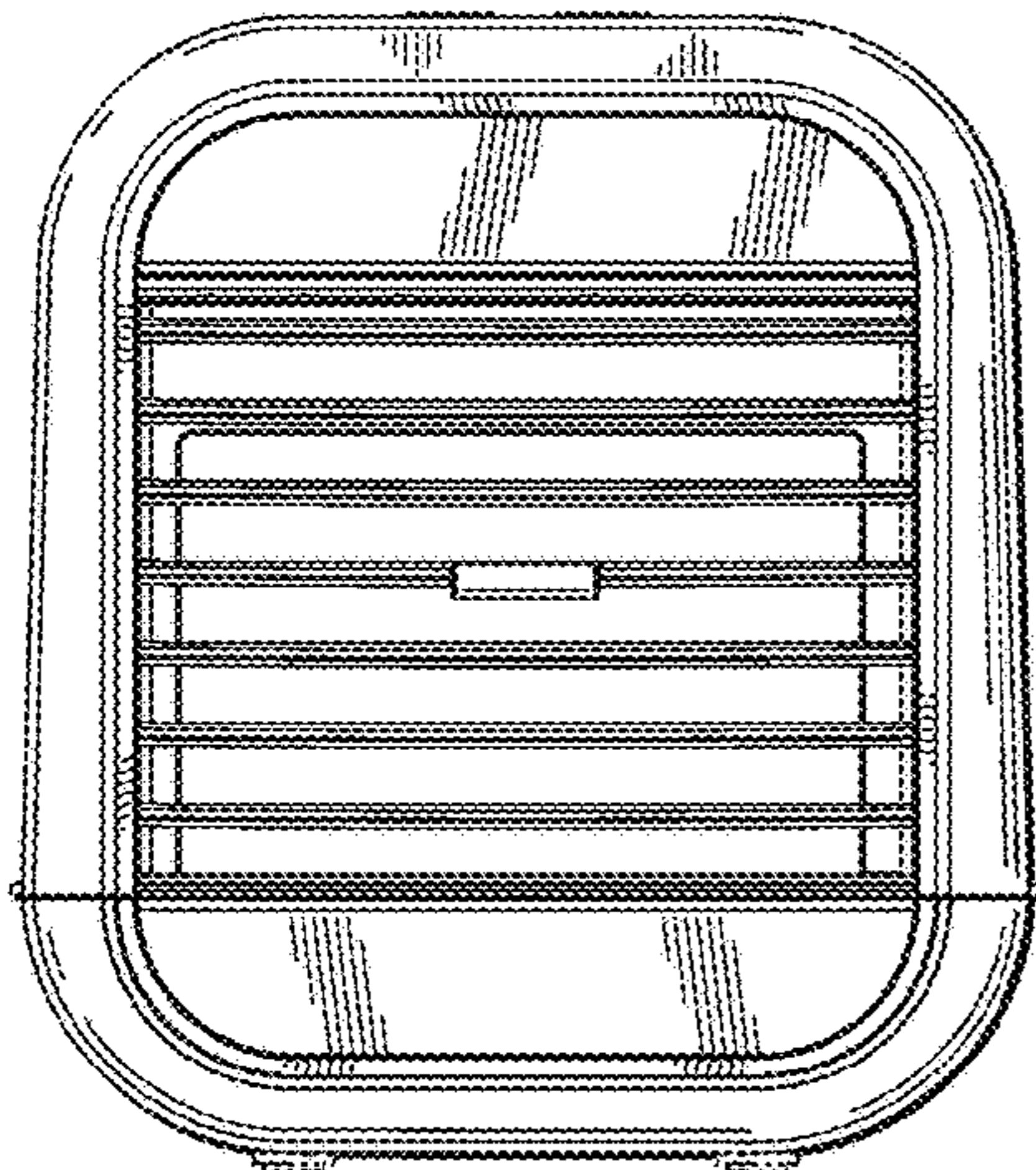


FIG. 2

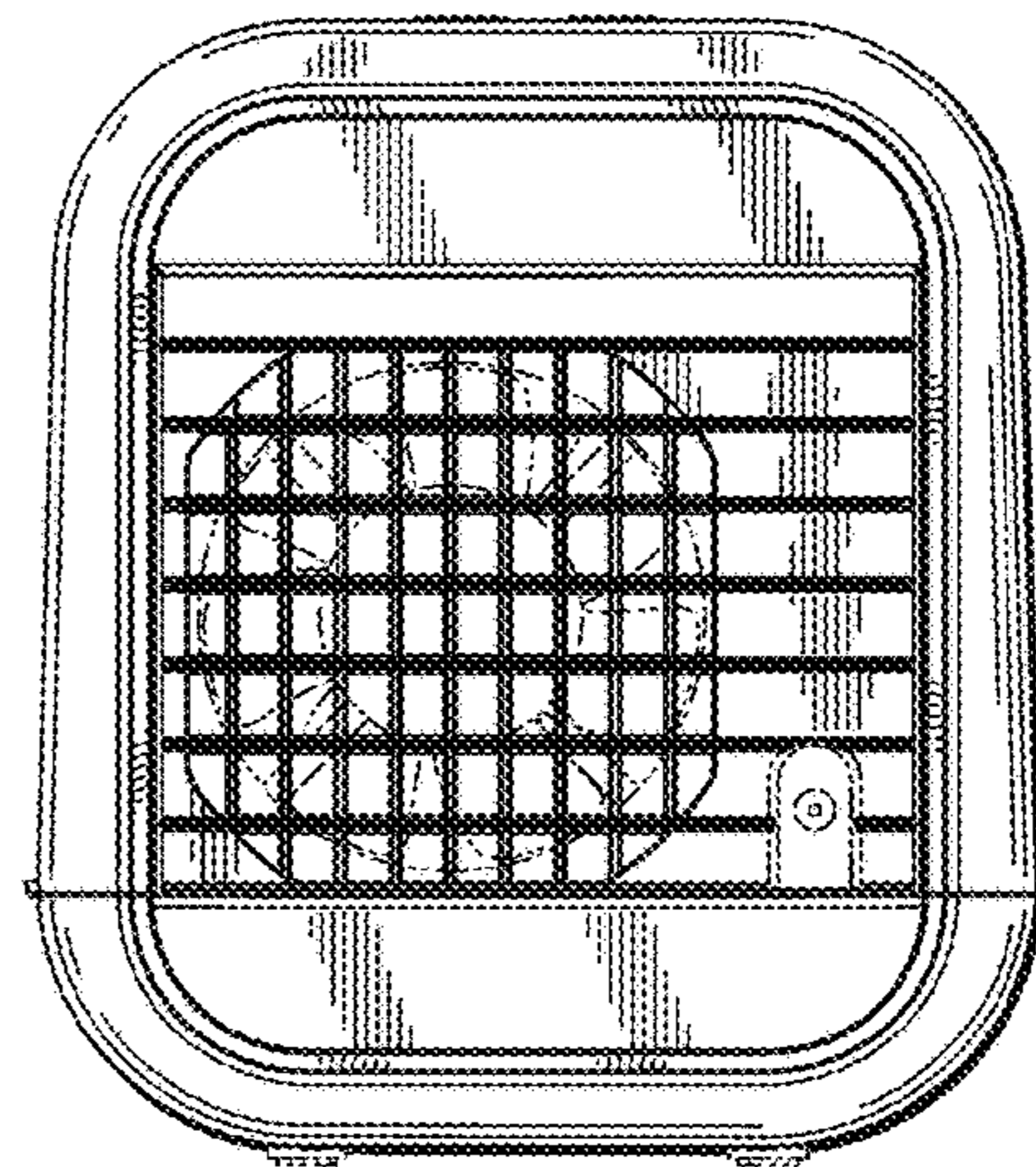


FIG. 3

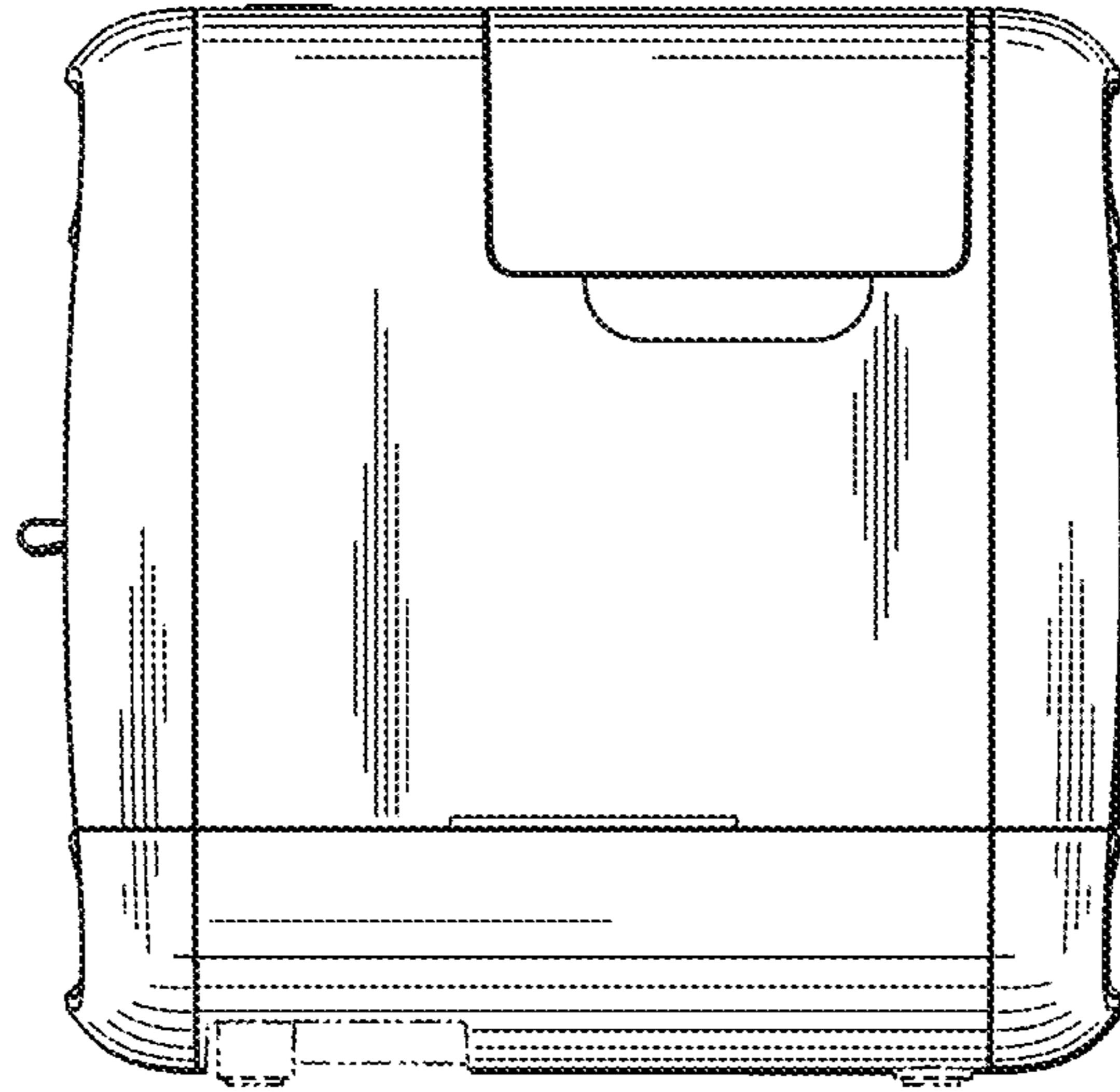


FIG. 4

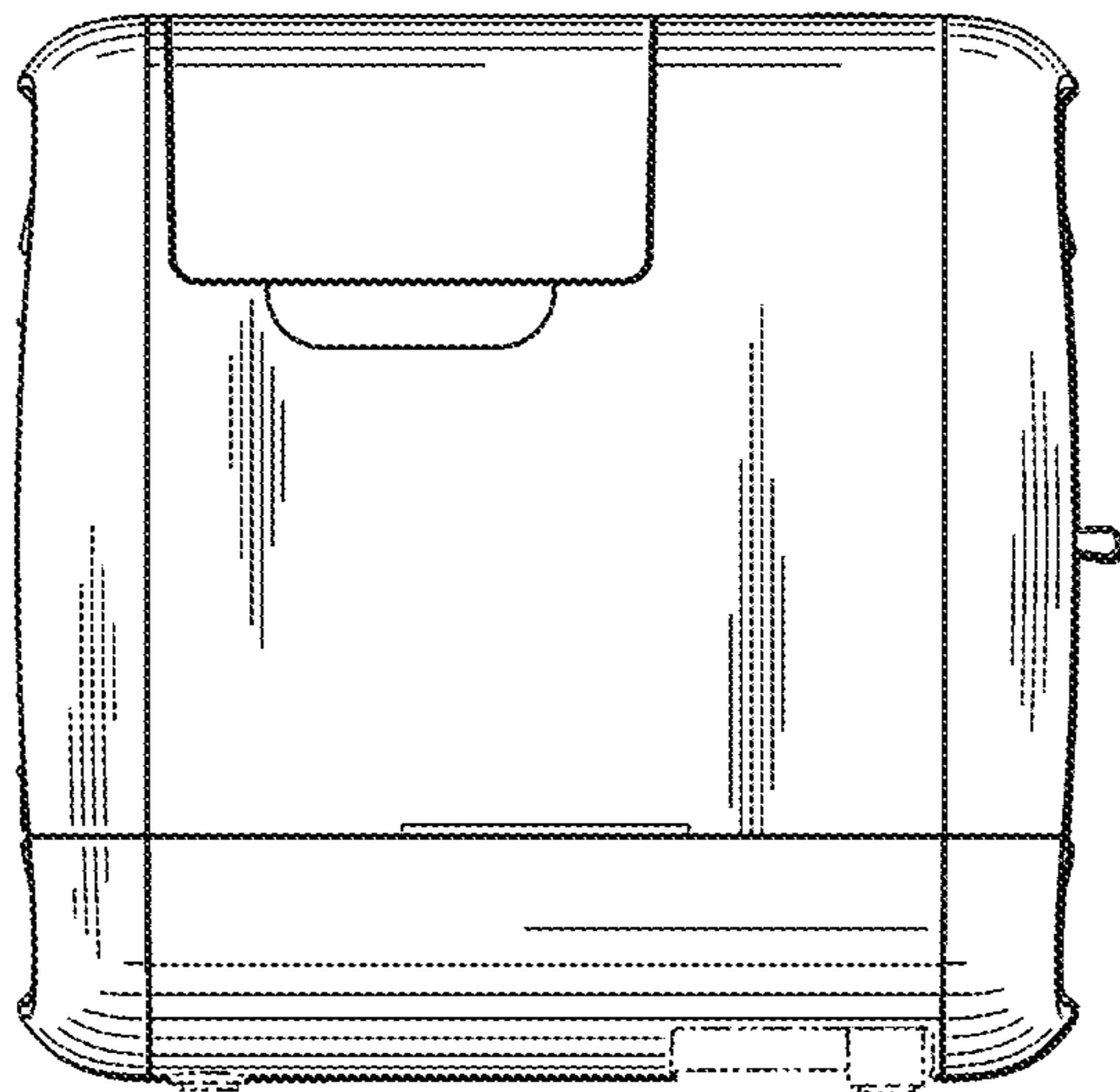


FIG. 5

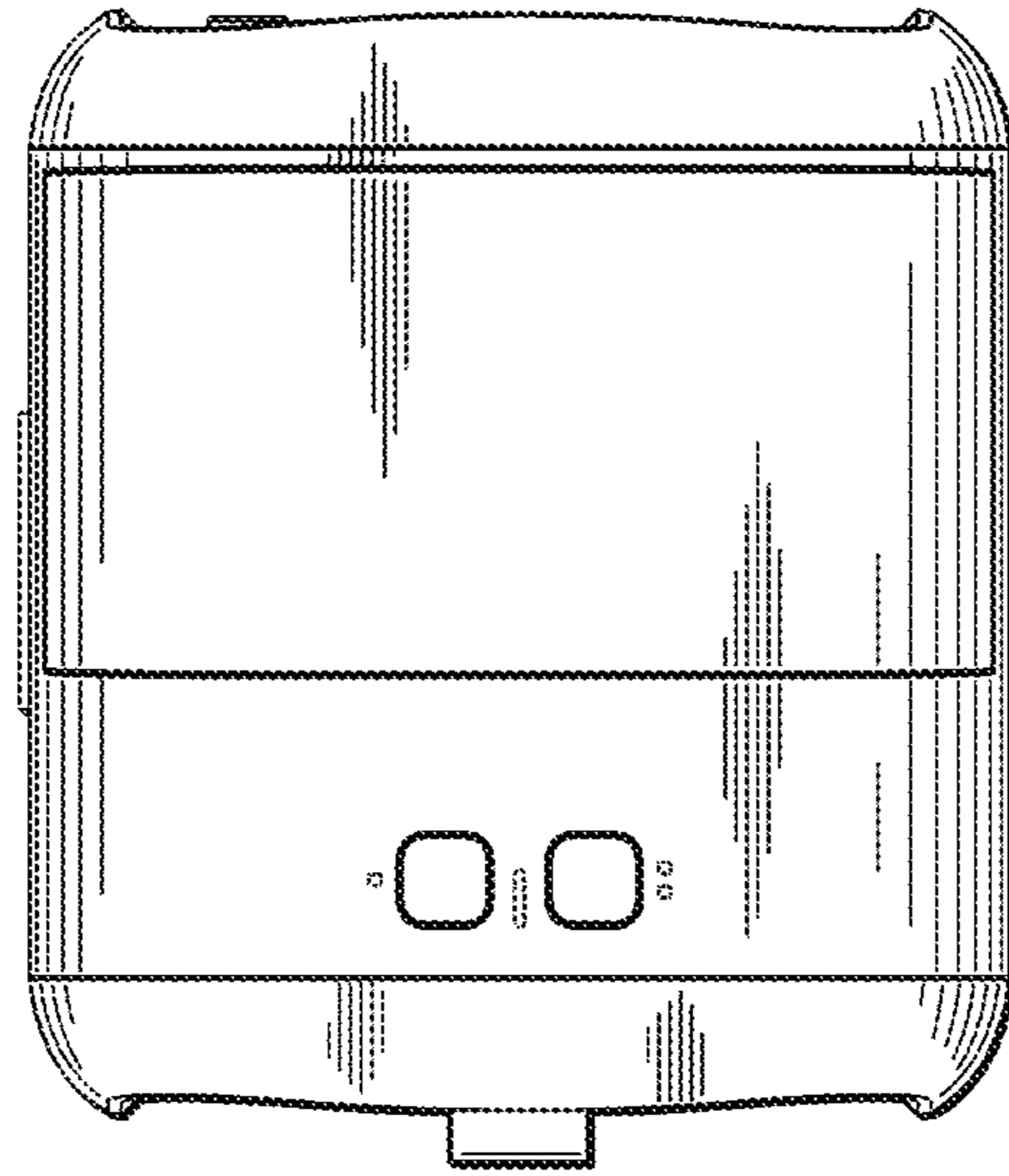


FIG. 6

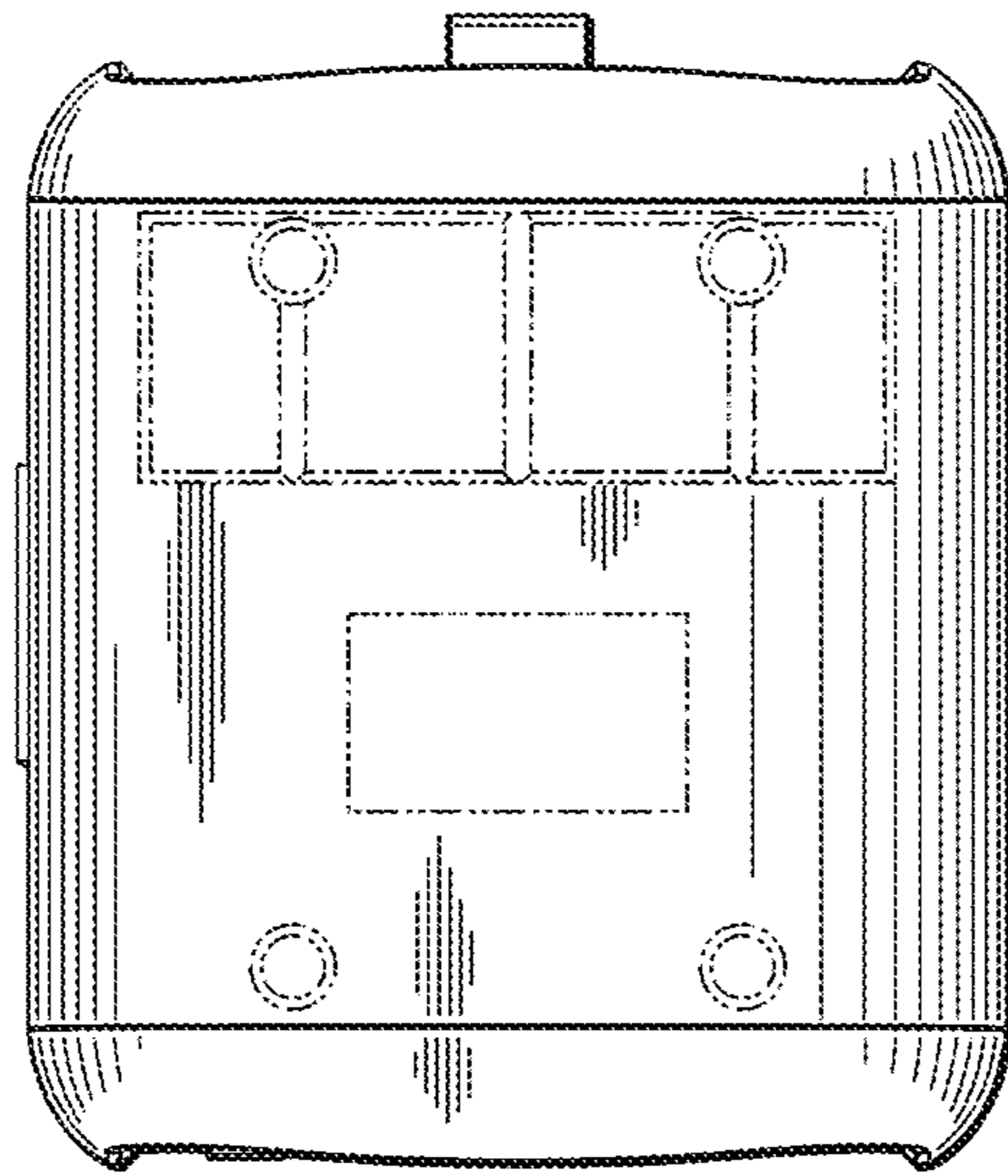


FIG. 7