



US00D827113S

(12) **United States Design Patent**
Stevenson et al.

(10) **Patent No.:** US D827,113 S
(45) **Date of Patent:** ** Aug. 28, 2018

- (54) **TOILET**
- (71) Applicant: **Kohler Mira Limited**, Gloucestershire (GB)
- (72) Inventors: **Robert Karl Stevenson**, London (GB); **Alexander Muspratt-Williams**, London (GB); **Mathias Hahn**, London (GB)
- (73) Assignee: **KOHLER MIRA LIMITED** (GB)
- (**) Term: **15 Years**
- (21) Appl. No.: **29/618,860**
- (22) Filed: **Sep. 25, 2017**

D393,059 S	3/1998	Garza	
D398,383 S	9/1998	Kergoet	
D410,279 S	5/1999	Tani	
D412,742 S	8/1999	Soulier	
D437,634 S	2/2001	Hundley	
D455,202 S	4/2002	Soulier	
D455,477 S	4/2002	Soulier	
D496,444 S	9/2004	Kergoet	
D536,428 S	2/2007	Kohler, Jr. et al.	
D536,771 S	2/2007	Chenesseau	
D603,945 S	11/2009	Bucher	
D606,178 S *	12/2009	Cummings	D23/295
D606,179 S *	12/2009	Cummings	D23/295
D637,702 S	5/2011	Rexach	
D654,993 S *	2/2012	Ando	D23/301
D672,018 S	12/2012	Bucher	
D694,379 S	11/2013	Bates	
D763,416 S	8/2016	Goad	

(Continued)

Related U.S. Application Data

- (62) Division of application No. 29/566,089, filed on May 26, 2016, now Pat. No. Des. 802,105.
- (51) **LOC (11) Cl.** **23-02**
- (52) **U.S. Cl.**
USPC **D23/309**
- (58) **Field of Classification Search**
USPC D23/295-301, 303, 309, 313
CPC A47K 11/02; A47K 11/026; A47K 11/00;
A47K 13/00; E03D 11/18; E03D 5/10;
E03D 13/00
See application file for complete search history.

(56) **References Cited**

U.S. PATENT DOCUMENTS

D276,176 S *	10/1984	Kaiser	D23/301
D278,078 S *	3/1985	Kaiser	D23/295
D309,939 S	8/1990	Yvetot	
D311,242 S	10/1990	Reid	
D323,551 S	1/1992	Fait	
D332,137 S	12/1992	Kohler, Jr. et al.	
D349,156 S	7/1994	Kohler, Jr. et al.	
D352,772 S	11/1994	Kohler, Jr. et al.	

Primary Examiner — Brandon Michael Rosati

Assistant Examiner — John A Voytek

(74) *Attorney, Agent, or Firm* — Foley & Lardner LLP

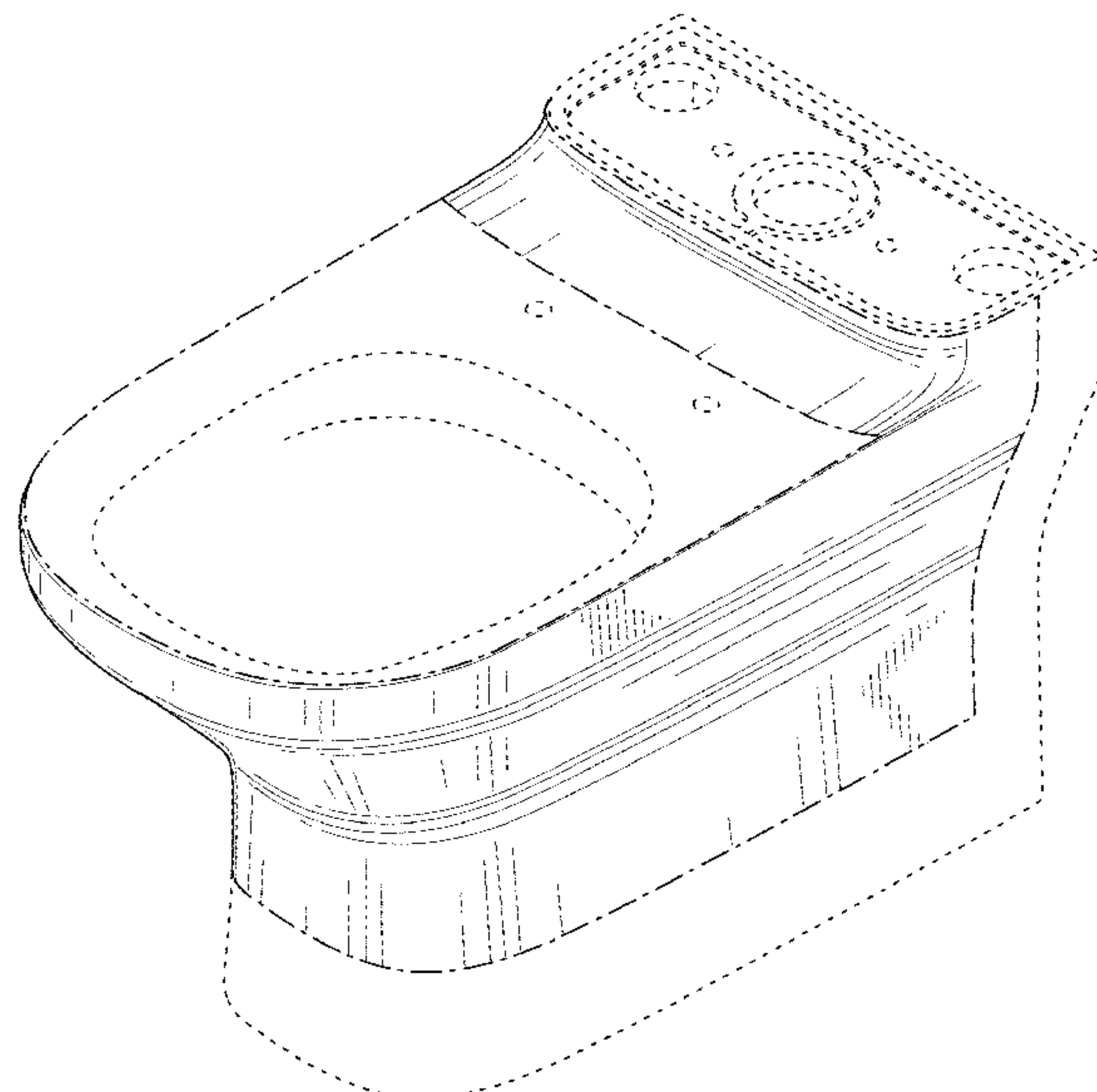
(57) **CLAIM**

We claim the ornamental design for a toilet, as shown and described.

DESCRIPTION

FIG. 1 is a perspective view of a toilet;
 FIG. 2 is a front view of the toilet shown in FIG. 1;
 FIG. 3 is a rear view of the toilet shown in FIG. 1;
 FIG. 4 is a side view of the toilet shown in FIG. 1;
 FIG. 5 is another side view of the toilet shown in FIG. 1;
 FIG. 6 is a top view of the toilet shown in FIG. 1; and,
 FIG. 7 is a bottom view of the toilet shown in FIG. 1.
 In the drawings, the broken lines depict environmental subject matter only and form no part of the claimed design. The dot and dashed lines indicate a boundary between the claimed and unclaimed portion of the design.

1 Claim, 4 Drawing Sheets



(56)

References Cited

U.S. PATENT DOCUMENTS

D764,033 S	8/2016	Chuk	
D798,424 S *	9/2017	Mesun	D23/301
D801,490 S *	10/2017	Stevenson	D23/295
D802,105 S *	11/2017	Stevenson	D23/301
D802,106 S *	11/2017	Stevenson	D23/301

* cited by examiner

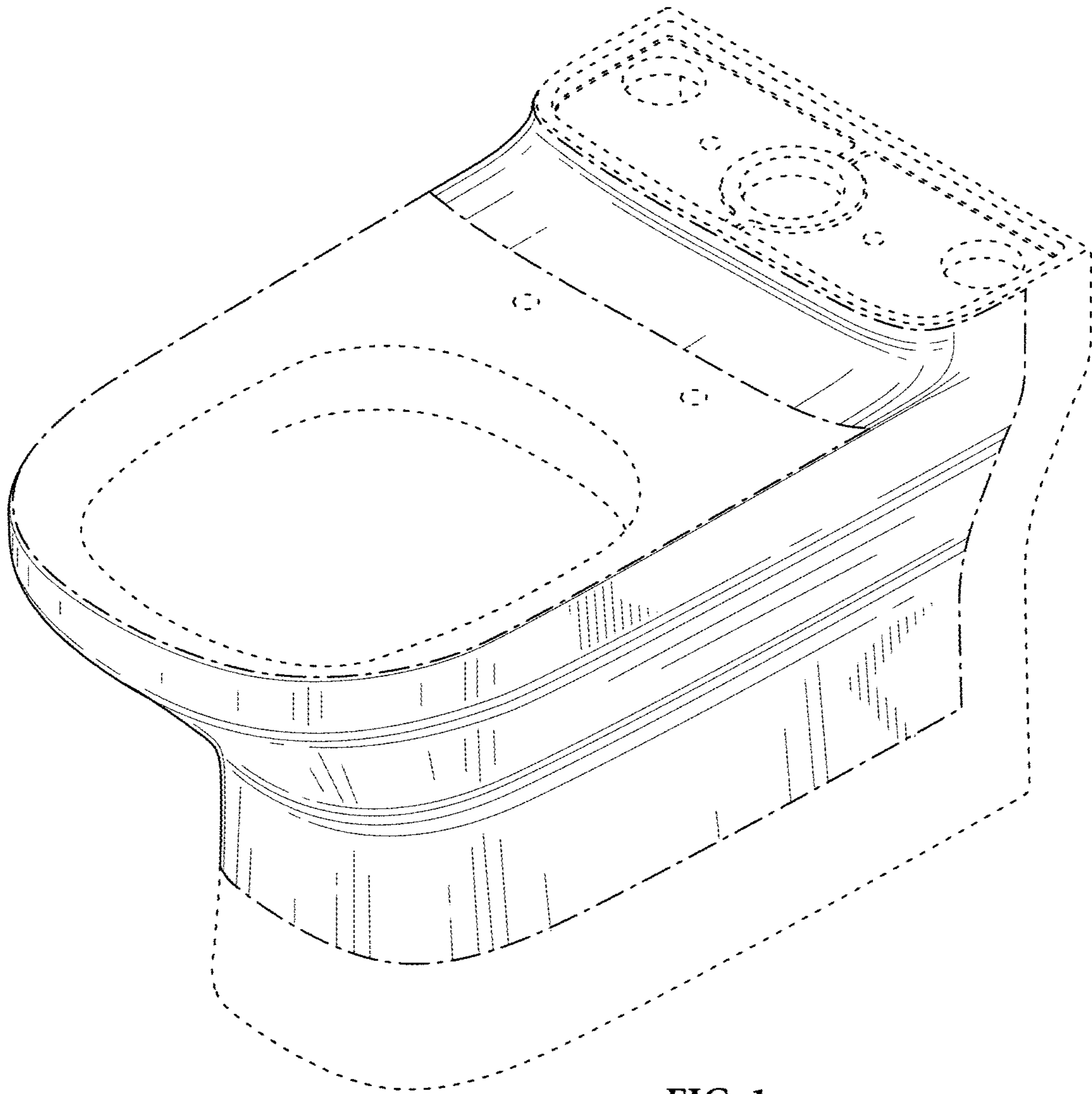


FIG. 1

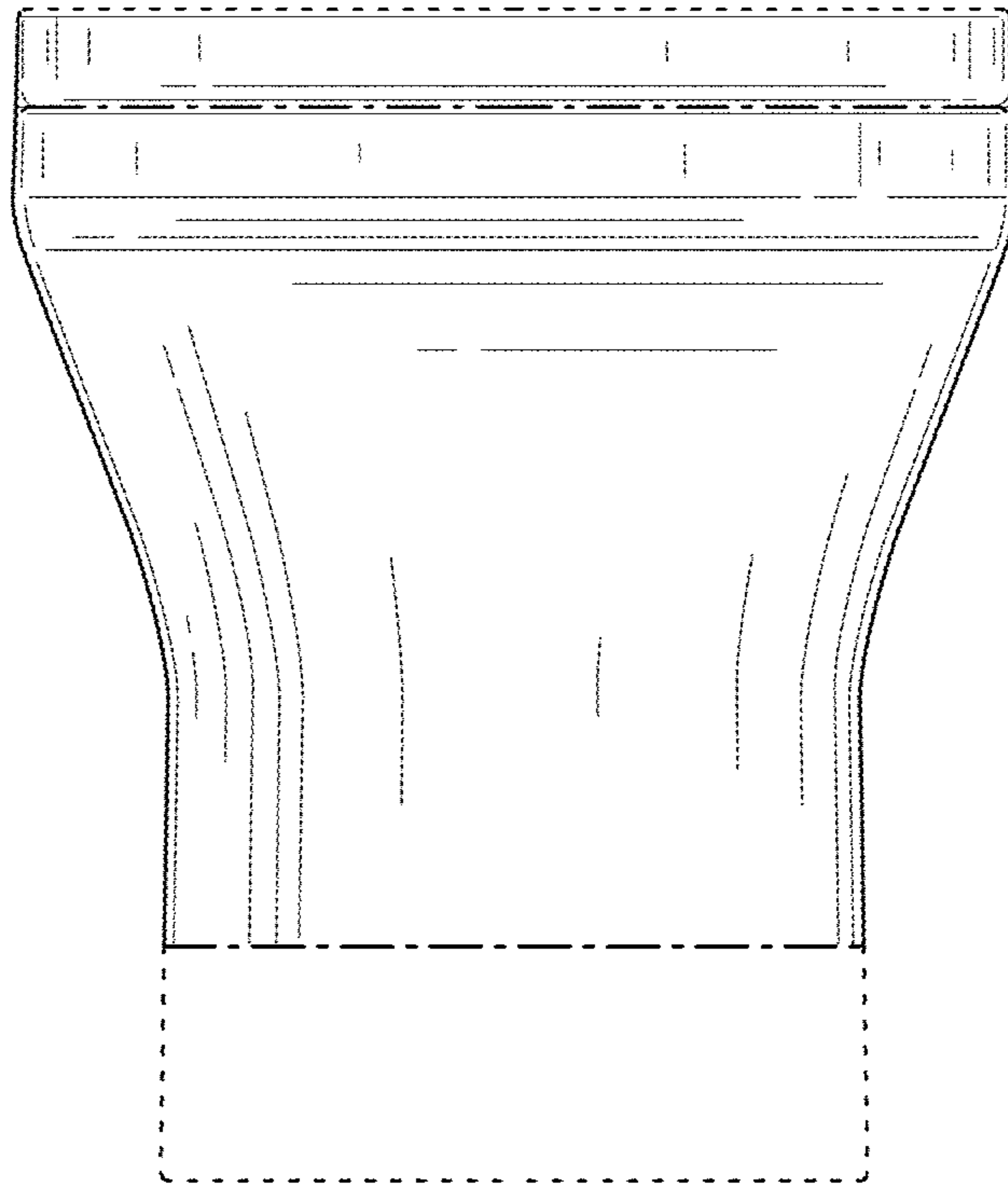


FIG. 2

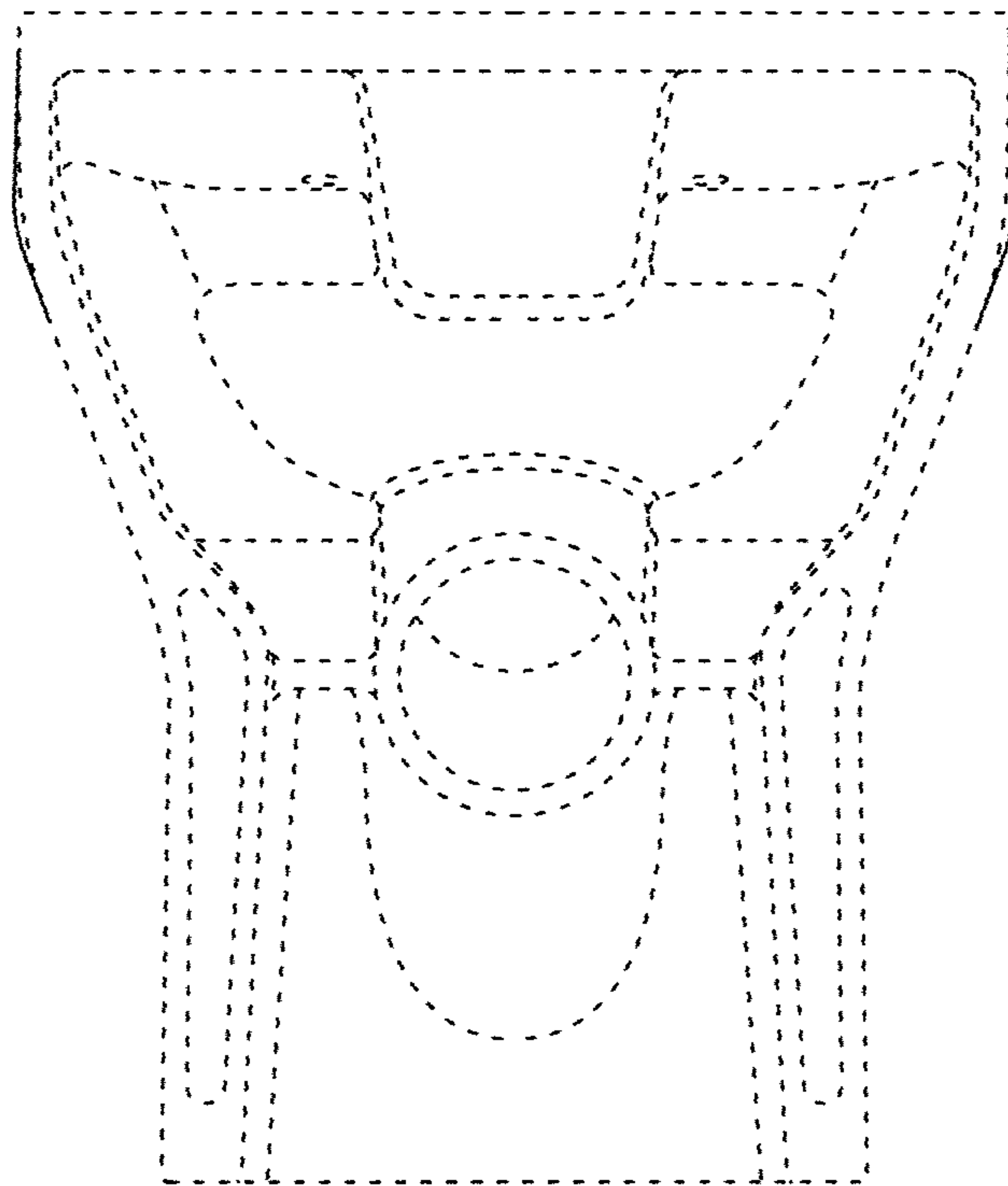


FIG. 3

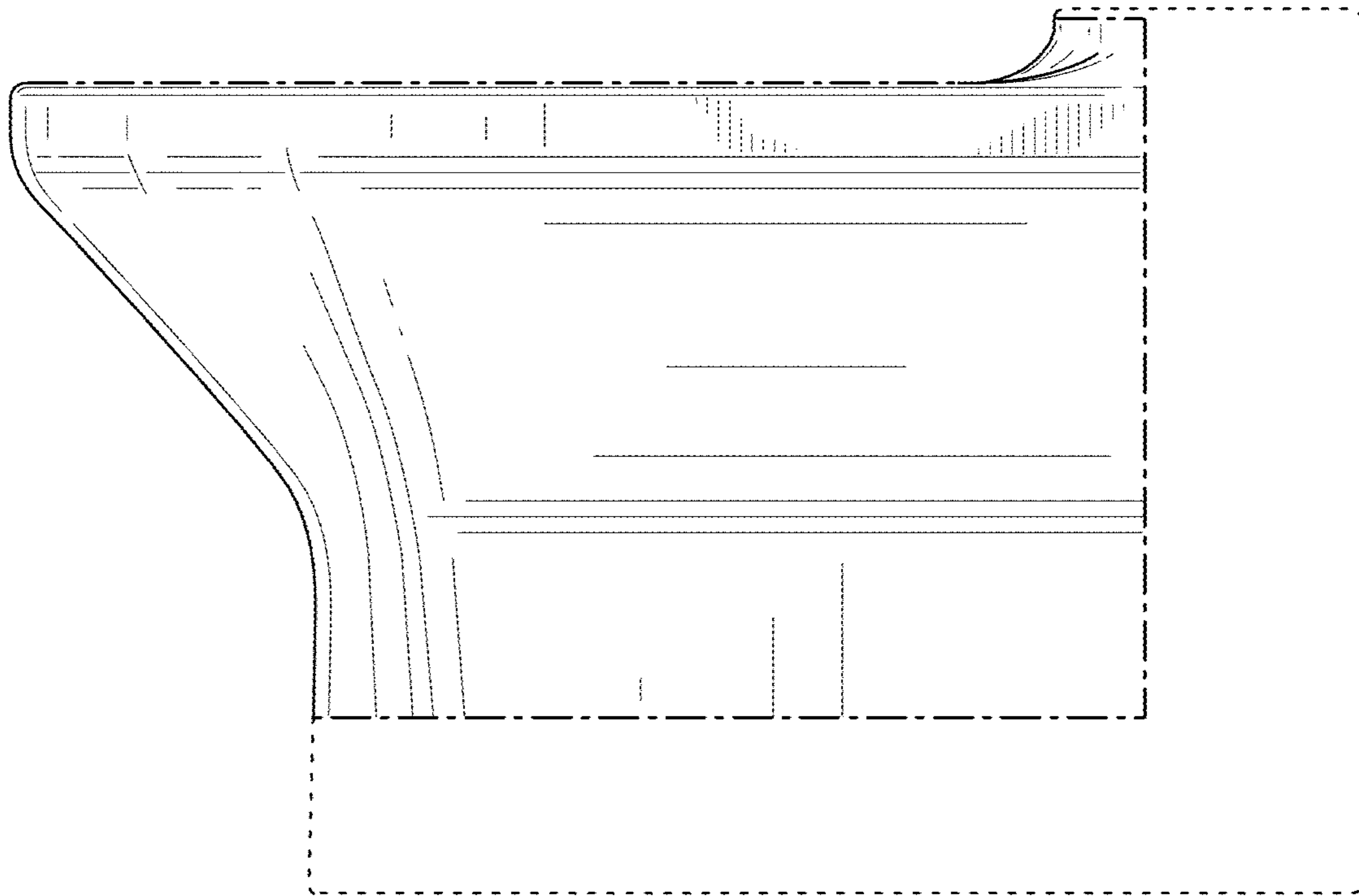


FIG. 4

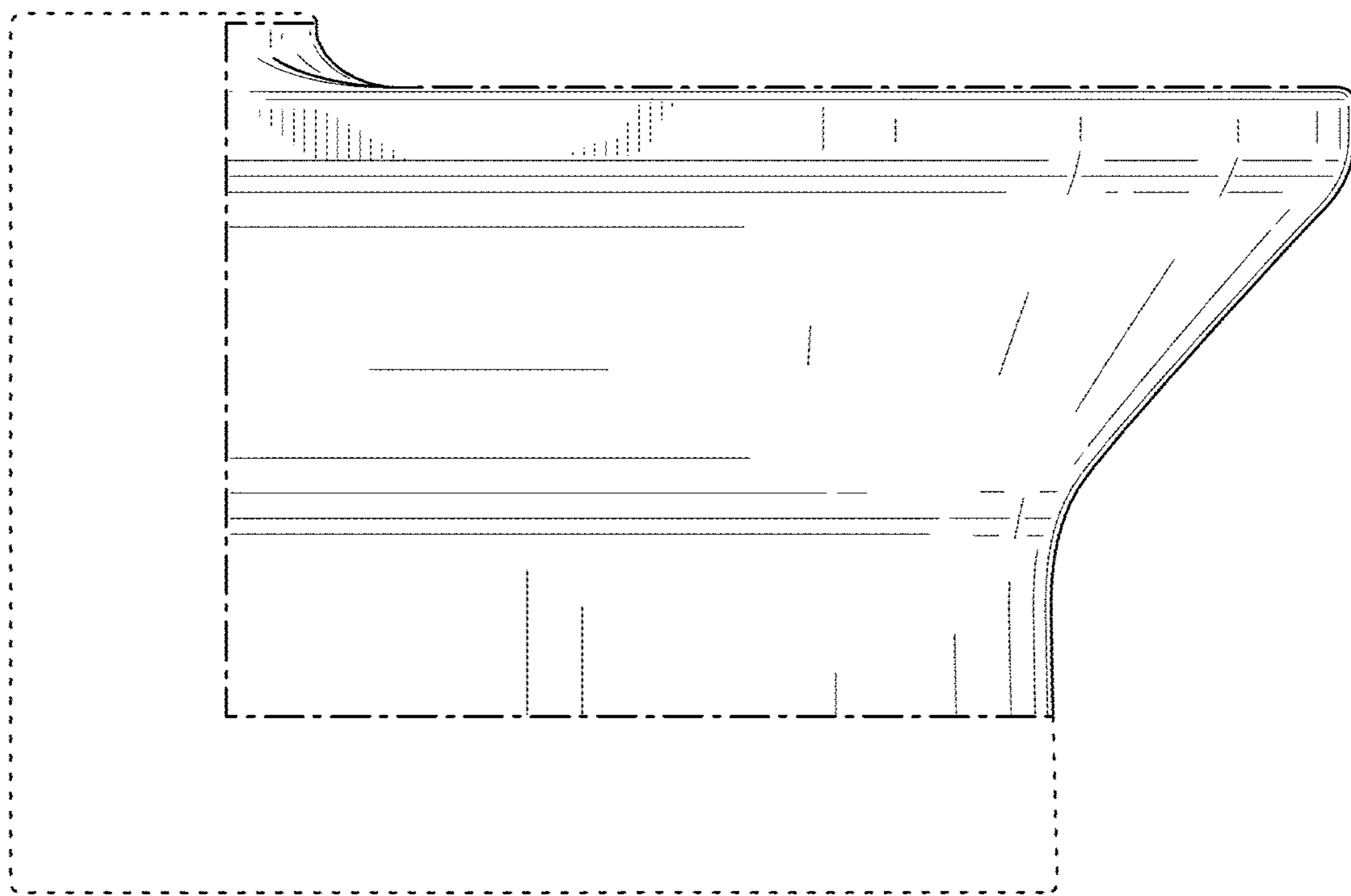


FIG. 5

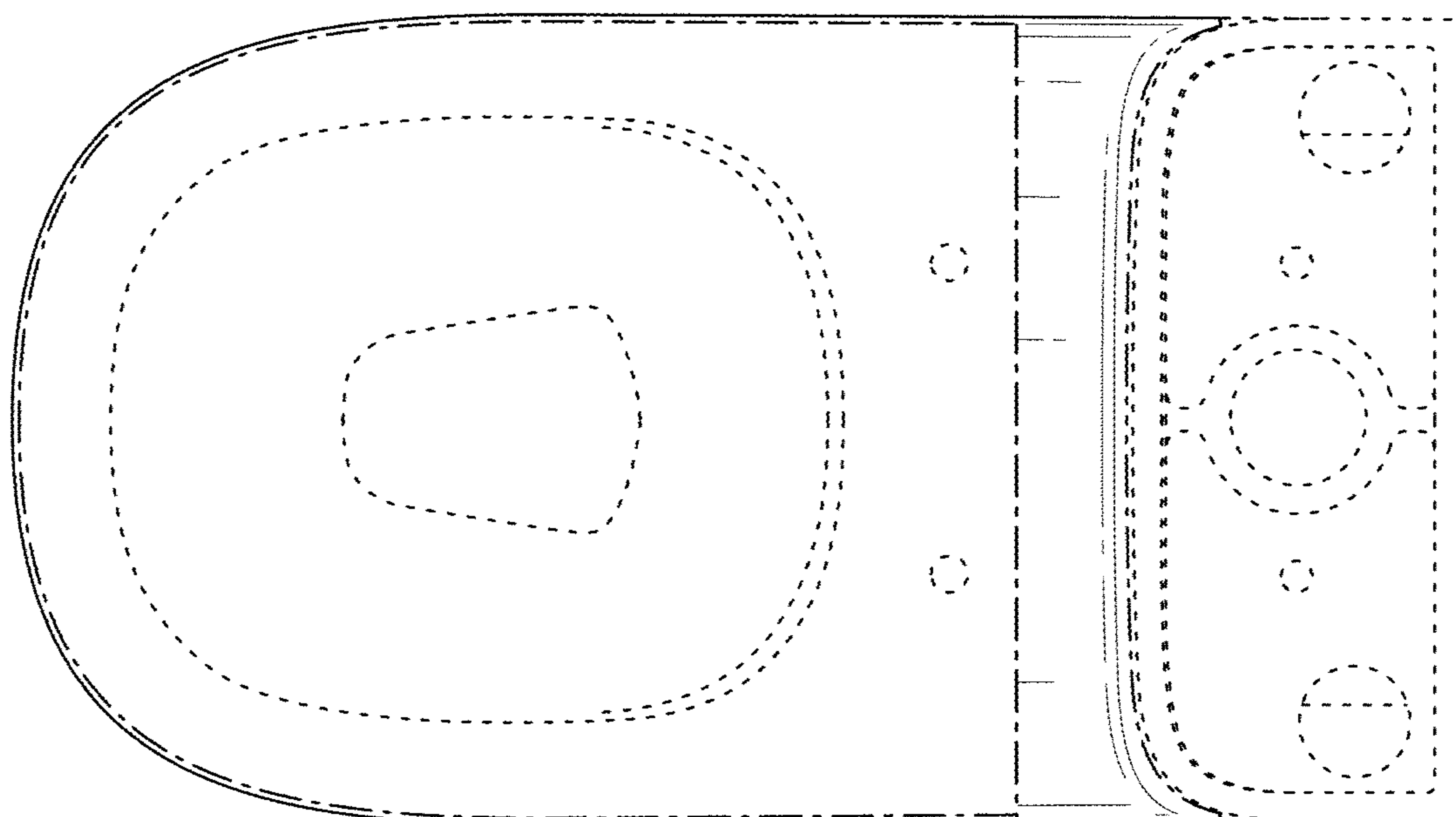


FIG. 6

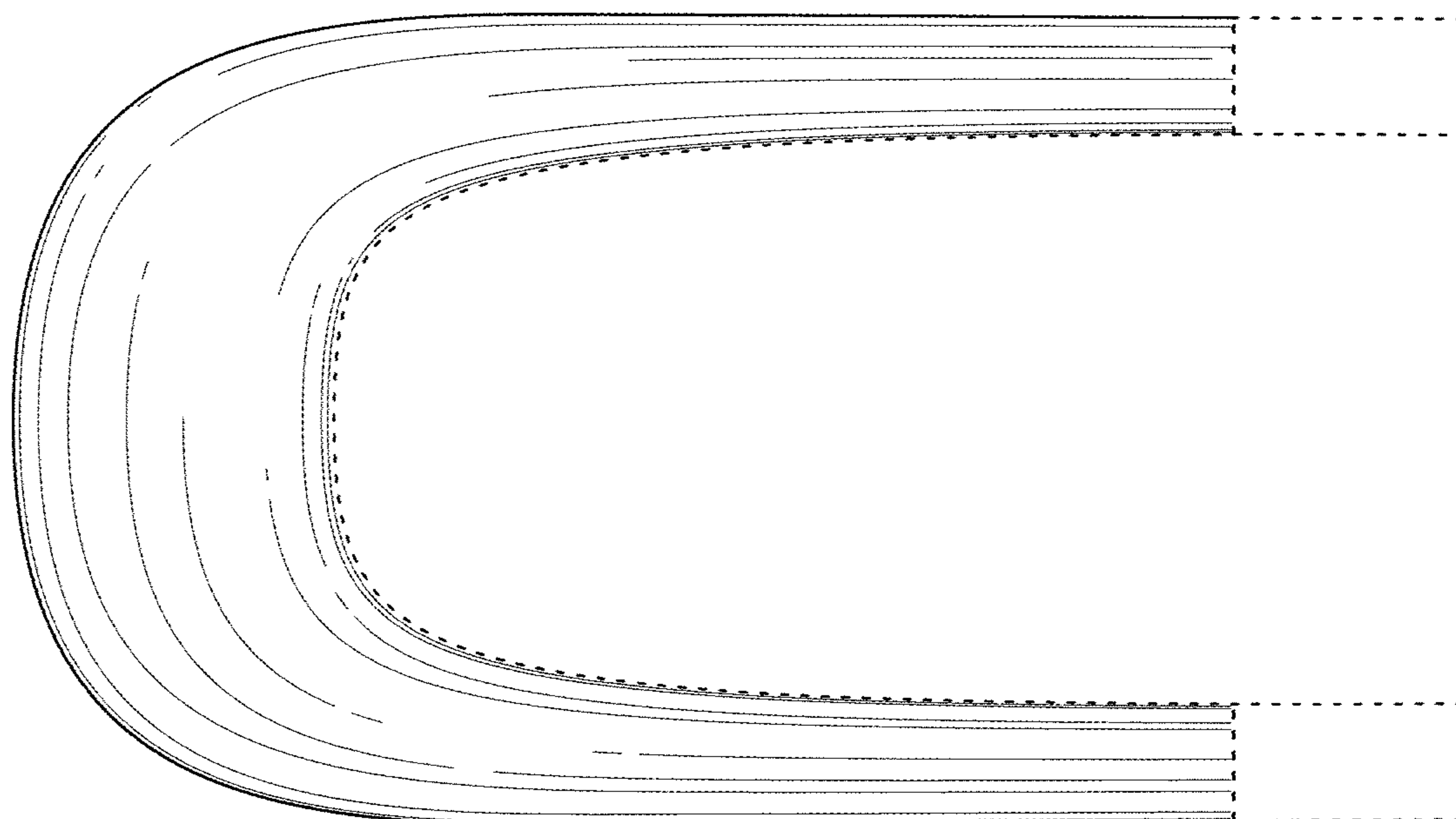


FIG. 7