



US00D827112S

(12) **United States Design Patent** (10) **Patent No.:** **US D827,112 S**
Stevenson et al. (45) **Date of Patent:** **** Aug. 28, 2018**

- (54) **VANITY**
- (71) Applicant: **Kohler Mira Limited**, Gloucestershire (GB)
- (72) Inventors: **Robert K. Stevenson**, London (GB); **Alexander M. Muspratt-Williams**, London (GB); **Mimi Jiang**, Shanghai (CN)
- (73) Assignee: **KOHLER MIRA LIMITED** (GB)
- (**) Term: **15 Years**
- (21) Appl. No.: **29/630,049**
- (22) Filed: **Dec. 19, 2017**

- D407,470 S 3/1999 McKeone
- D415,261 S 10/1999 Thomas
- D434,124 S 11/2000 McKeone
- D499,797 S 12/2004 Bates
- D504,170 S 4/2005 Kergoet
- D509,574 S 9/2005 Sutopo
- D509,887 S 9/2005 Sutopo
- D538,410 S 3/2007 Chensesseau
- D588,239 S 3/2009 Slothower
- D588,242 S 3/2009 Hanna
- D598,990 S 8/2009 Durringer et al.
- D599,448 S 9/2009 Durringer et al.
- D611,128 S 3/2010 Soulier
- D624,992 S 10/2010 Maitre
- D632,766 S 2/2011 Matsuura
- D634,409 S 3/2011 Palomba
- D634,410 S 3/2011 Palomba
- D645,125 S 9/2011 Palomba
- D659,811 S 5/2012 Licini

(Continued)

Related U.S. Application Data

- (62) Division of application No. 29/566,511, filed on May 31, 2016, now Pat. No. Des. 809,111.
- (51) **LOC (11) Cl.** **23-02**
- (52) **U.S. Cl.**
USPC **D23/308**
- (58) **Field of Classification Search**
USPC D23/284-293.1, 303, 308
CPC A47K 1/04; A47B 77/06; A47J 47/20
See application file for complete search history.

Primary Examiner — Brandon M Rosati
Assistant Examiner — John A Voytek
(74) *Attorney, Agent, or Firm* — Foley & Lardner LLP

(57) **CLAIM**

We claim the ornamental design for a vanity, as shown and described.

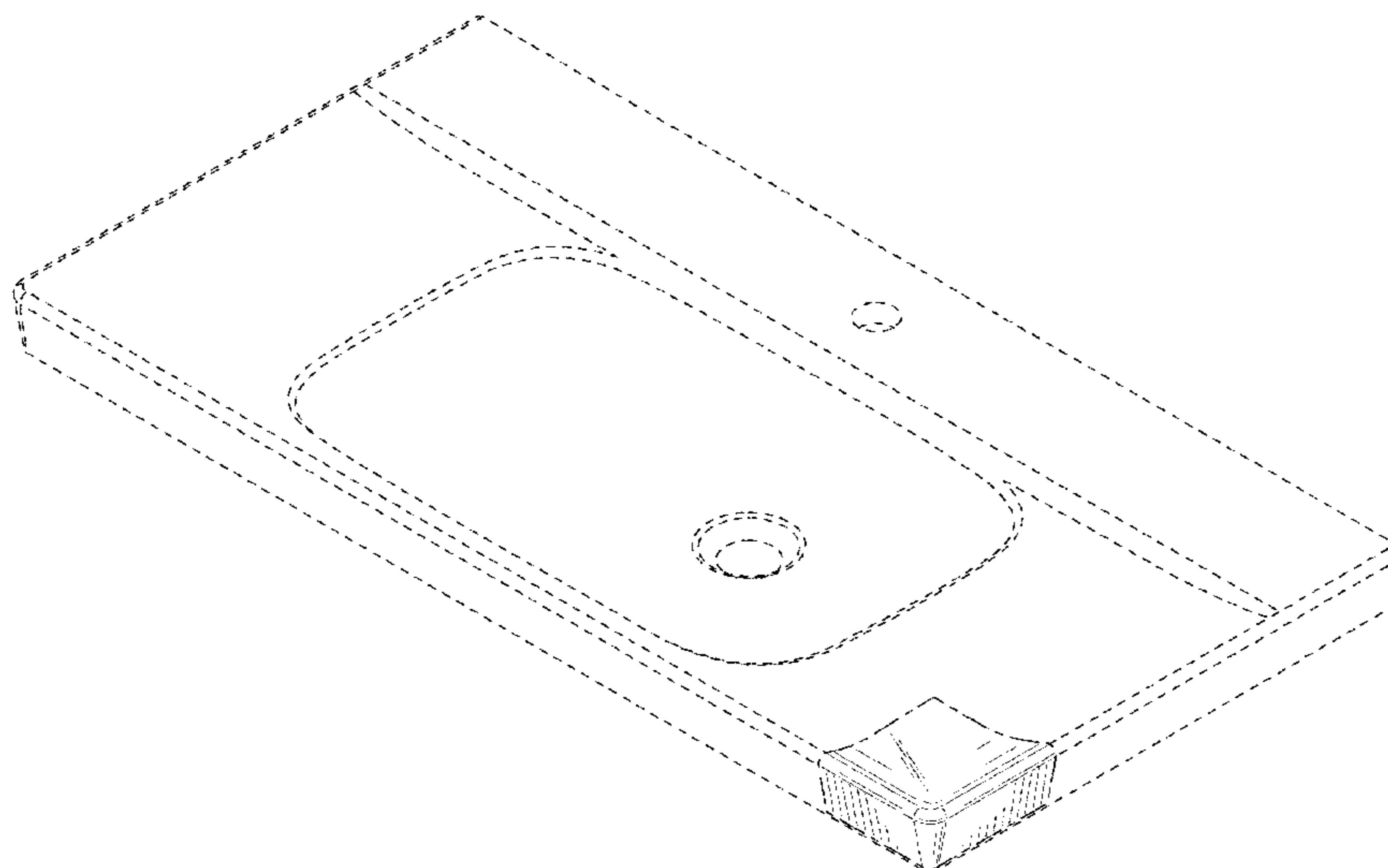
DESCRIPTION

FIG. 1 is a perspective view of an embodiment of the claimed design;
FIG. 2 is a front view of the embodiment of FIG. 1;
FIG. 3 is a side view of the embodiment of FIG. 1; and,
FIG. 4 is a top view of the embodiment of FIG. 1.
The ornamental design which is claimed is shown in solid lines in the drawings. The broken lines in the drawings form no part of the claimed design. Broken lines formed by equal length dashes show unclaimed subject matter. Broken lines formed of unequal length dashes (i.e., dash-dot) define bounds of the claimed design.

(56) **References Cited**
U.S. PATENT DOCUMENTS

- D191,432 S 10/1961 Chapman
- D274,642 S 7/1984 Doman
- D292,732 S 11/1987 Gates et al.
- D293,930 S 1/1988 Reid
- D295,669 S 5/1988 Kolada
- D295,670 S 5/1988 Reid et al.
- D328,338 S 7/1992 Ragonot
- D387,857 S 12/1997 McKeone
- D391,353 S 2/1998 McKeone

1 Claim, 4 Drawing Sheets



(56)

References Cited

U.S. PATENT DOCUMENTS

D667,940 S	9/2012	Licini	
D713,513 S	9/2014	Chen	
D745,951 S	* 12/2015	Schonherr D23/284
D806,215 S	* 12/2017	Stevenson D23/293.1
D809,111 S	* 1/2018	Stevenson D23/293.1

* cited by examiner

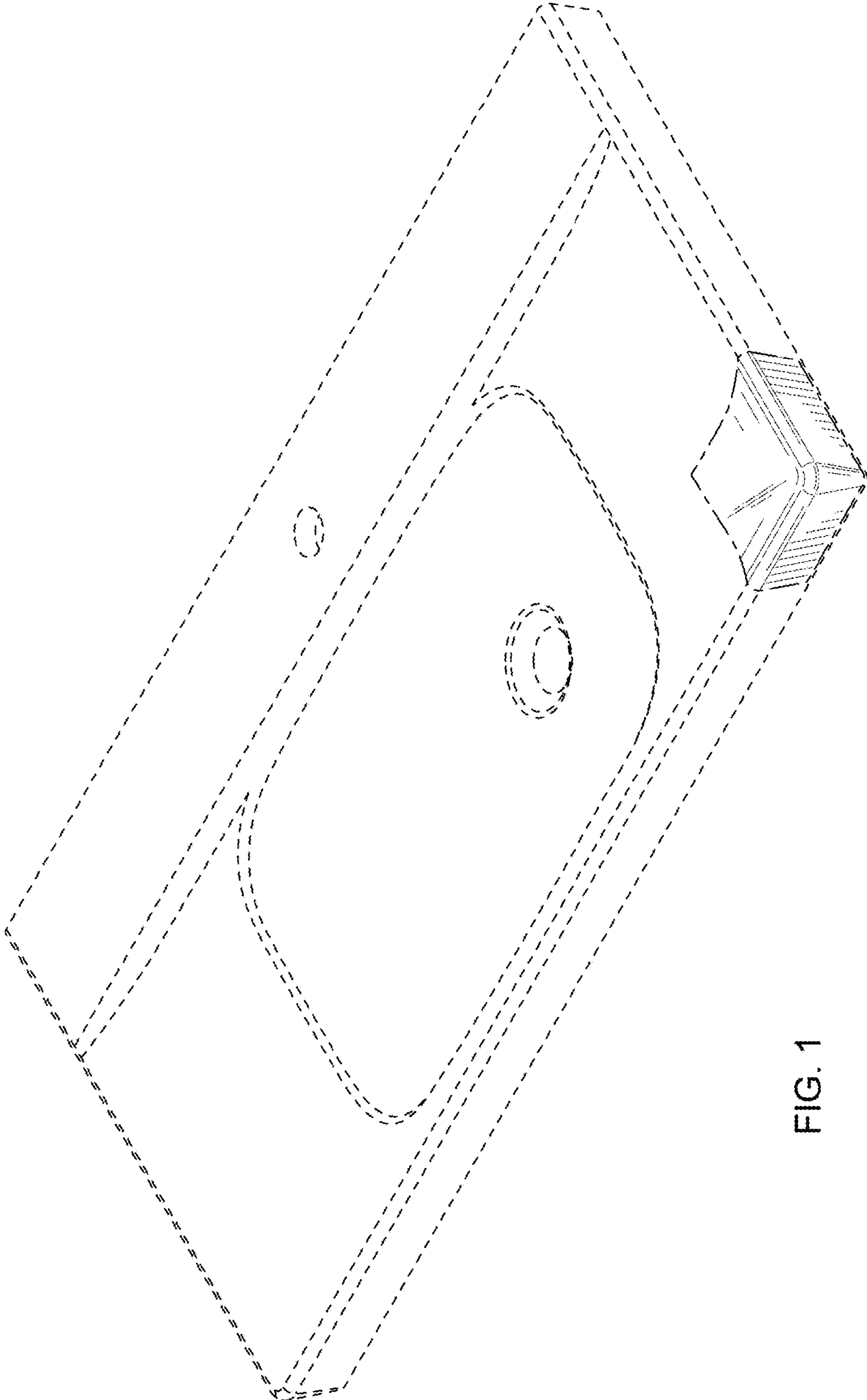


FIG. 1

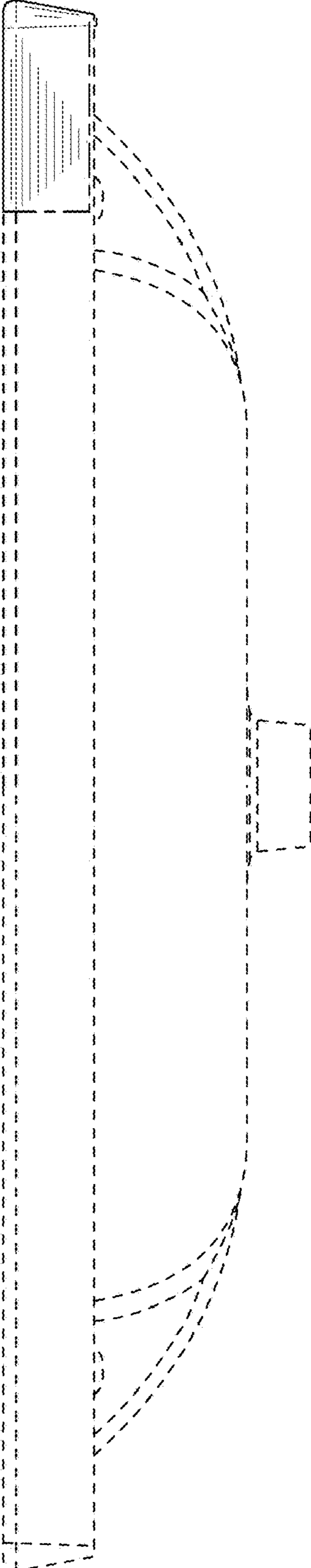


FIG. 2

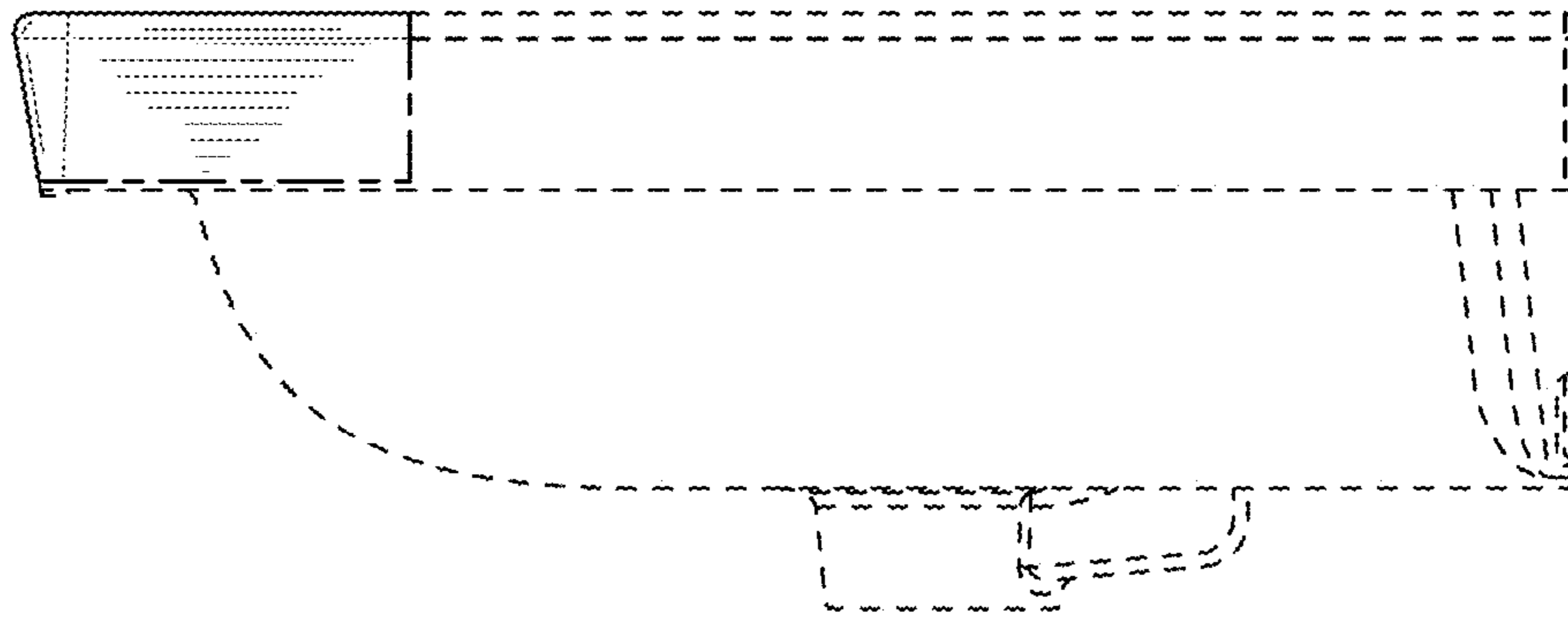


FIG. 3

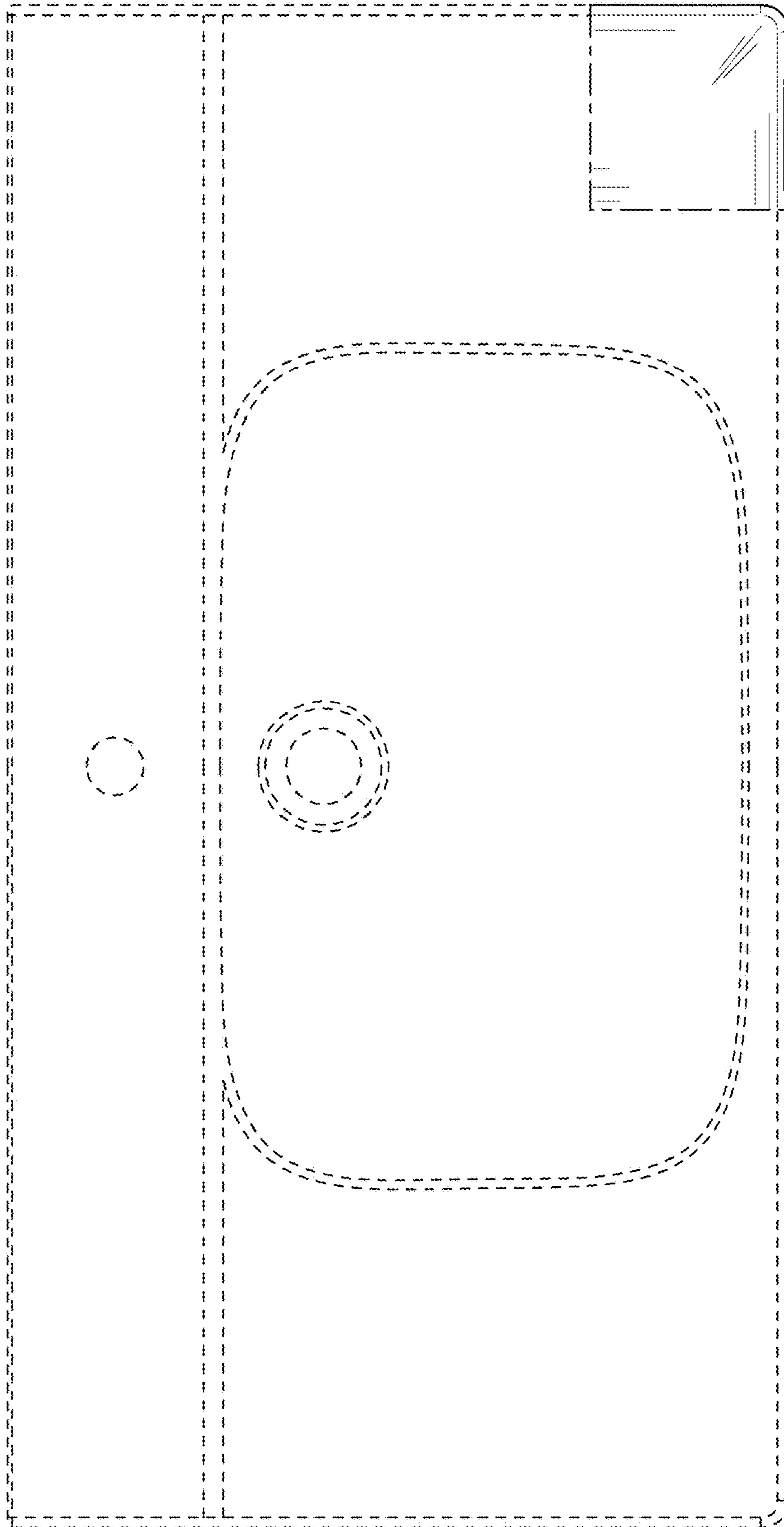


FIG. 4