



US00D827109S

(12) **United States Design Patent** (10) **Patent No.:** **US D827,109 S**  
**Goad** (45) **Date of Patent:** **\*\* Aug. 28, 2018**

(54) **TOILET**

(71) Applicant: **Kohler Co.**, Kohler, WI (US)

(72) Inventor: **Robin A. Goad**, Sheboygan, WI (US)

(73) Assignee: **KOHLER CO.**, Kohler, WI (US)

(\*\*) Term: **15 Years**

(21) Appl. No.: **29/635,834**

(22) Filed: **Feb. 2, 2018**

**Related U.S. Application Data**

(62) Division of application No. 29/553,403, filed on Feb. 1, 2016, now Pat. No. Des. 812,729, which is a division of application No. 29/517,725, filed on Feb. 16, 2015, now Pat. No. Des. 762,829.

(51) **LOC (11) Cl.** ..... **23-02**

(52) **U.S. Cl.**  
USPC ..... **D23/301**

(58) **Field of Classification Search**  
USPC ..... D23/295, 301, 303, 309, 313  
CPC ..... E03D 1/00; E03D 1/01; E03D 11/02  
See application file for complete search history.

(56) **References Cited**

**U.S. PATENT DOCUMENTS**

D268,779 S	4/1983	Doman
D332,137 S	12/1992	Kohler, Jr. et al.
D387,858 S	12/1997	McKeone
D415,563 S	10/1999	McKeone
D441,437 S	5/2001	McKeone
D444,864 S	7/2001	McKeone
D451,175 S	11/2001	Smith
D455,822 S	4/2002	McKeon
D484,579 S	12/2003	Bennie
D496,442 S	9/2004	Bates

D496,443 S	9/2004	Bates
D536,428 S	2/2007	Kohler, Jr. et al.
D536,771 S	2/2007	Chenesseau
D647,184 S	10/2011	Bates
D657,852 S	4/2012	Vanderheyden et al.
D670,368 S	11/2012	Vanderheyden
D688,356 S	8/2013	Mendoza
D710,979 S	8/2014	Spangler

**OTHER PUBLICATIONS**

Kohler 2014 Fixtures Price Book, pp. 314-336.

*Primary Examiner* — Robert A Delehanty

(74) *Attorney, Agent, or Firm* — Foley & Lardner LLP

(57) **CLAIM**

I claim the ornamental design for a toilet, as shown and described.

**DESCRIPTION**

FIG. 1 is a perspective view of an embodiment of the claimed design;

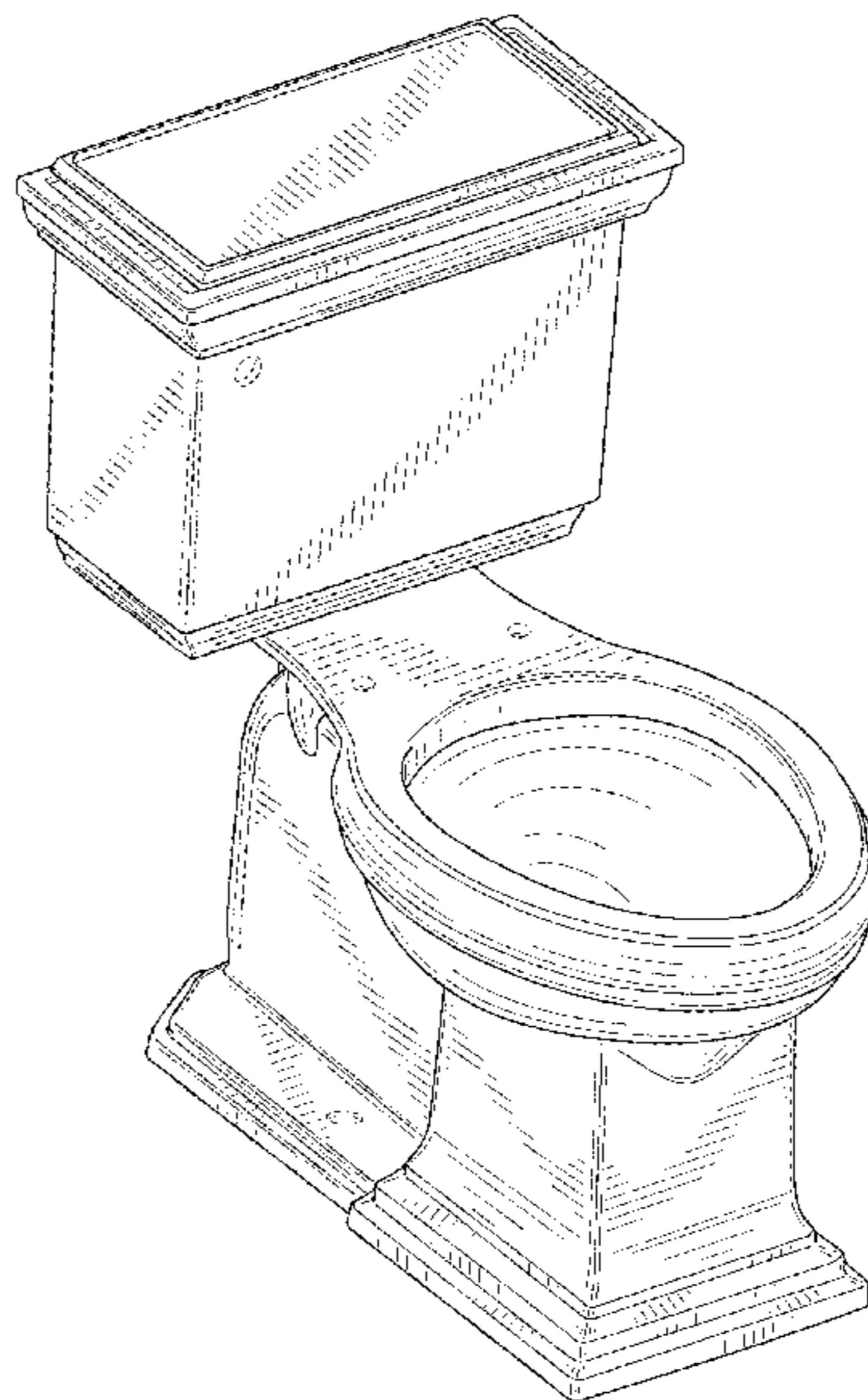
FIG. 2 is a side view of the embodiment shown in FIG. 1; FIG. 3 is another side view of the embodiment shown in FIG. 1;

FIG. 4 is a front view of the embodiment shown in FIG. 1; FIG. 5 is a rear view of the embodiment shown in FIG. 1; FIG. 6 is a top view of the embodiment shown in FIG. 1; and,

FIG. 7 is a bottom view of the embodiment shown in FIG. 1.

The ornamental design that is claimed is shown in the drawings as solid lines and surfaces having surface shading. The broken lines in the drawings are for illustrative purposes only and form no part of the claimed design. For example, broken lines formed by equal length dashes show unclaimed portions of the design.

**1 Claim, 7 Drawing Sheets**



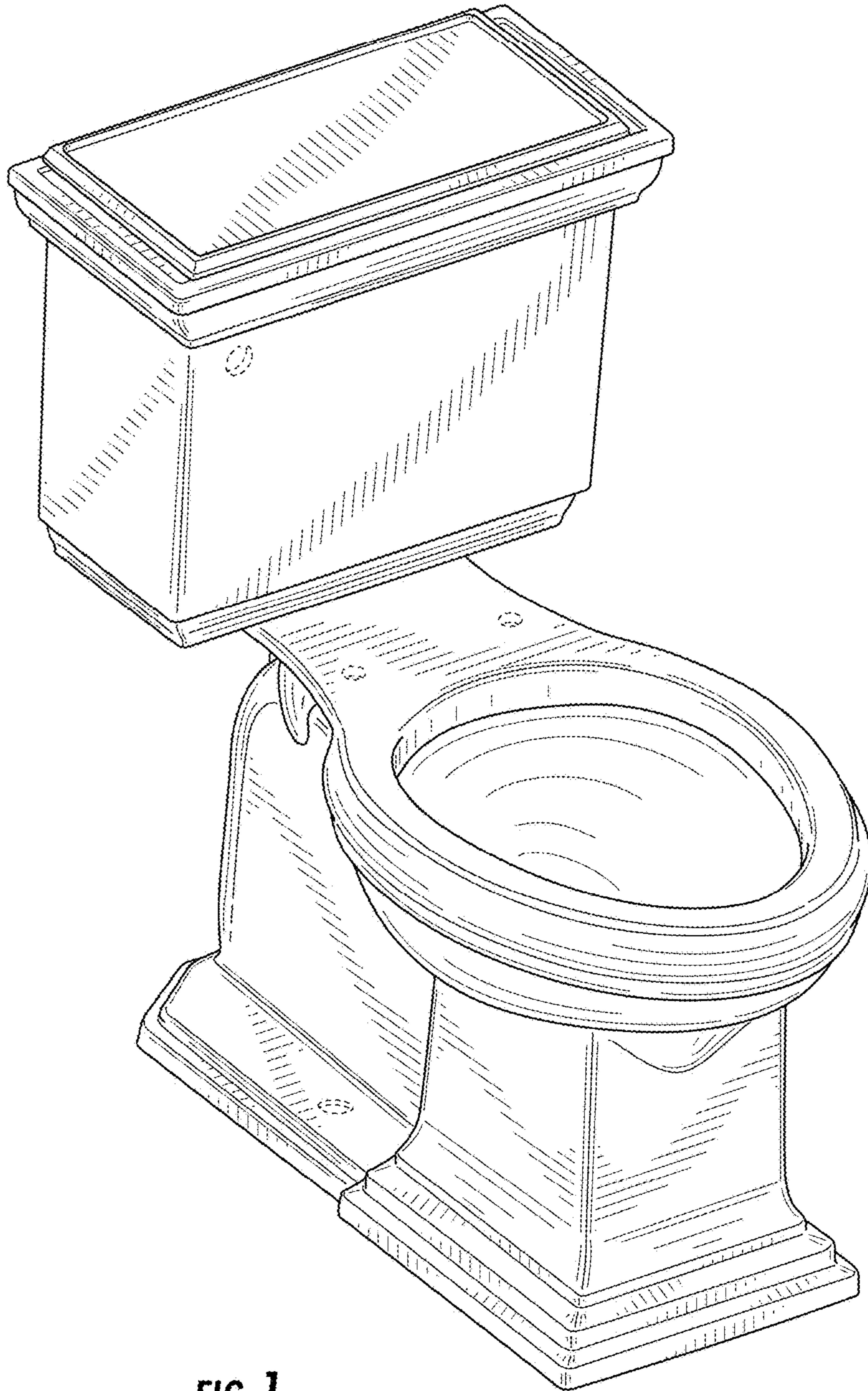


FIG. 1

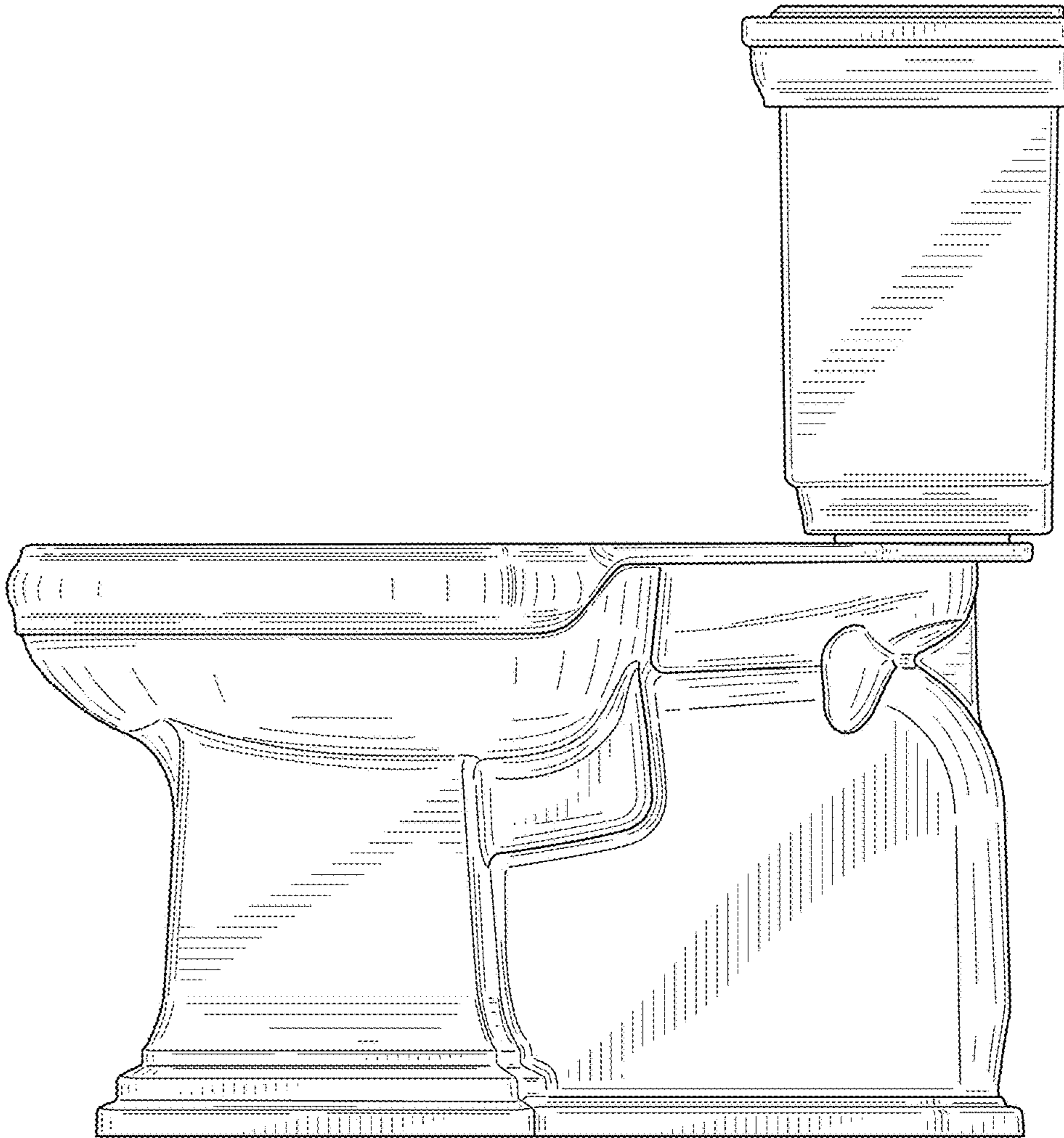


FIG. 2



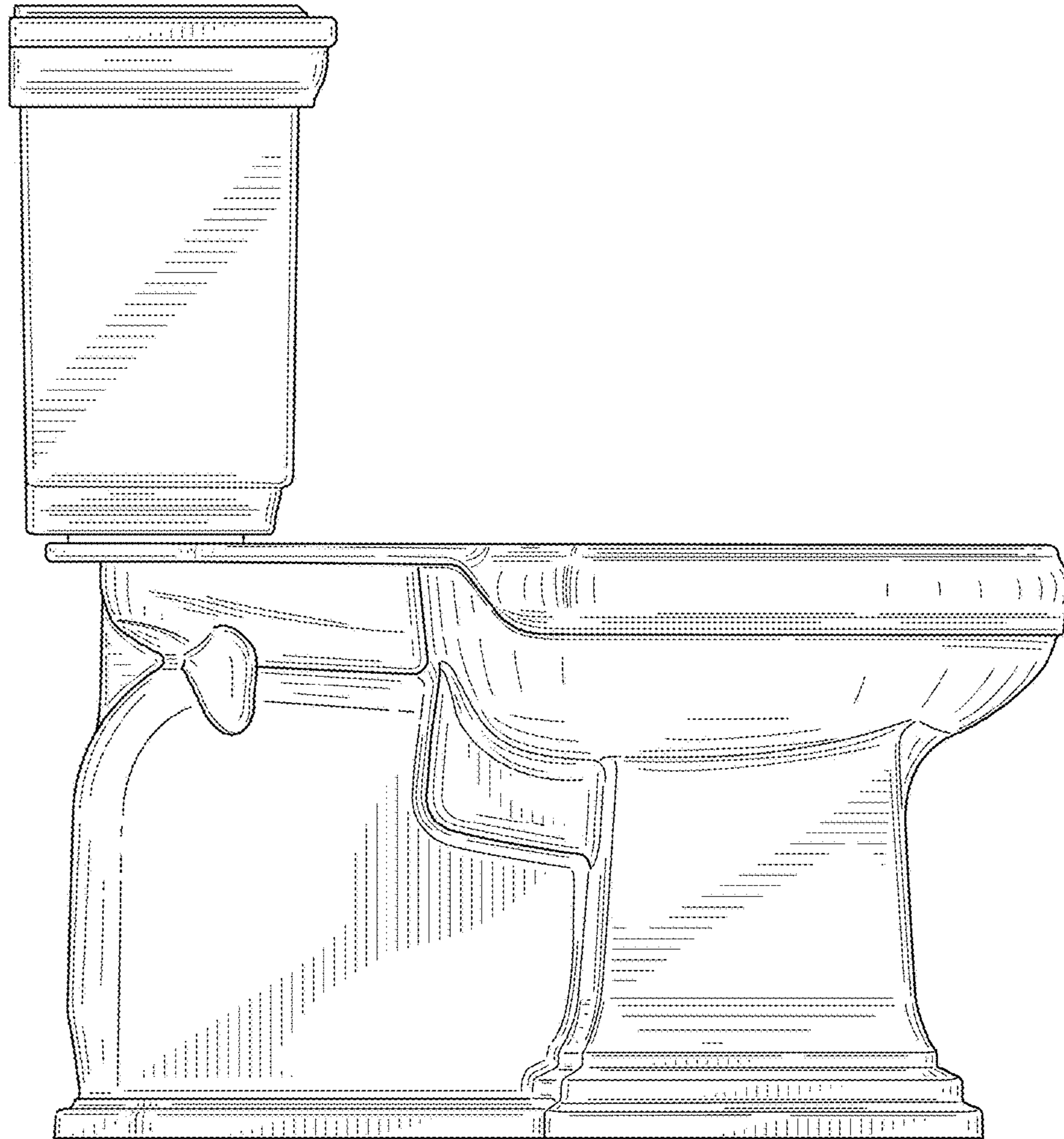


FIG. 3

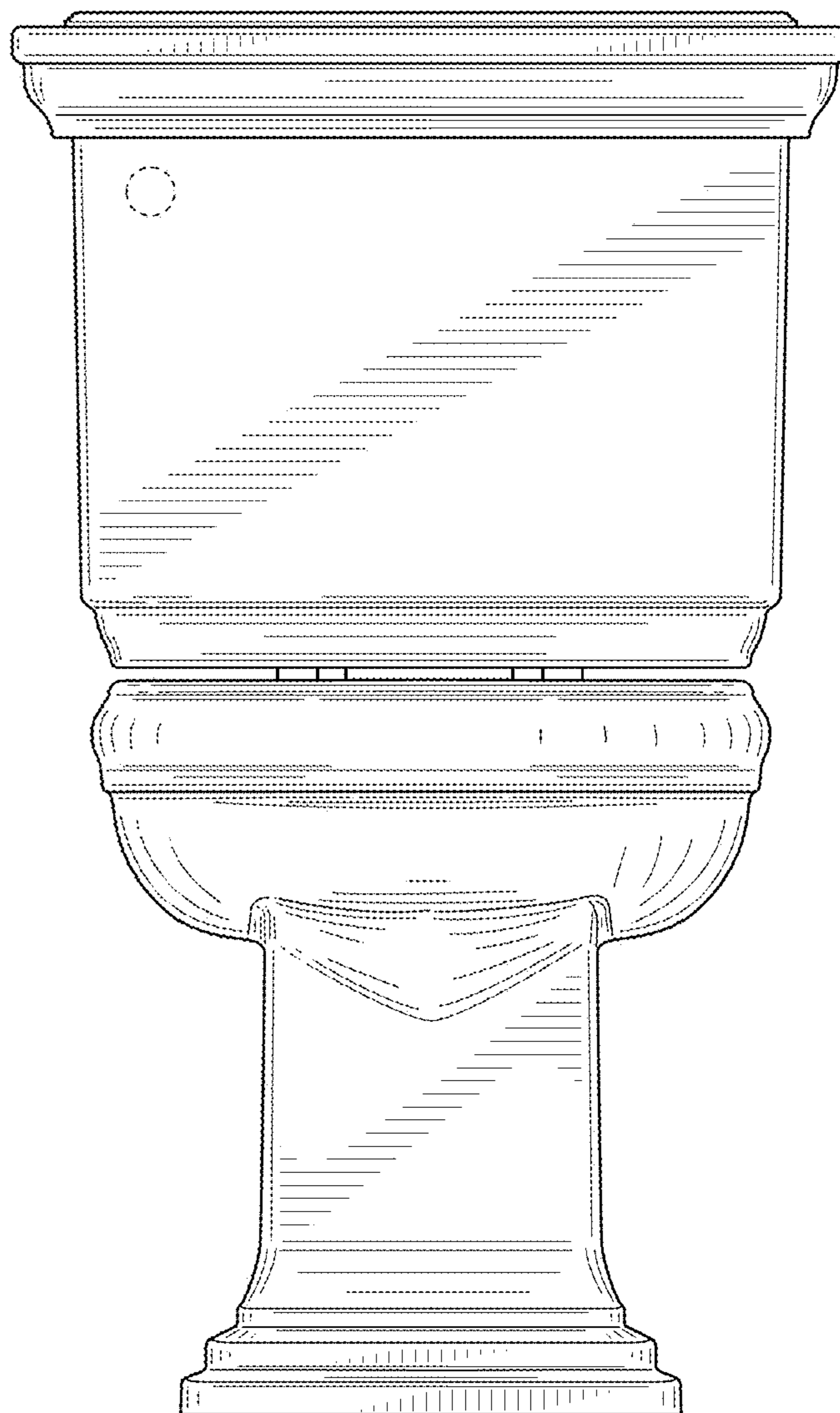
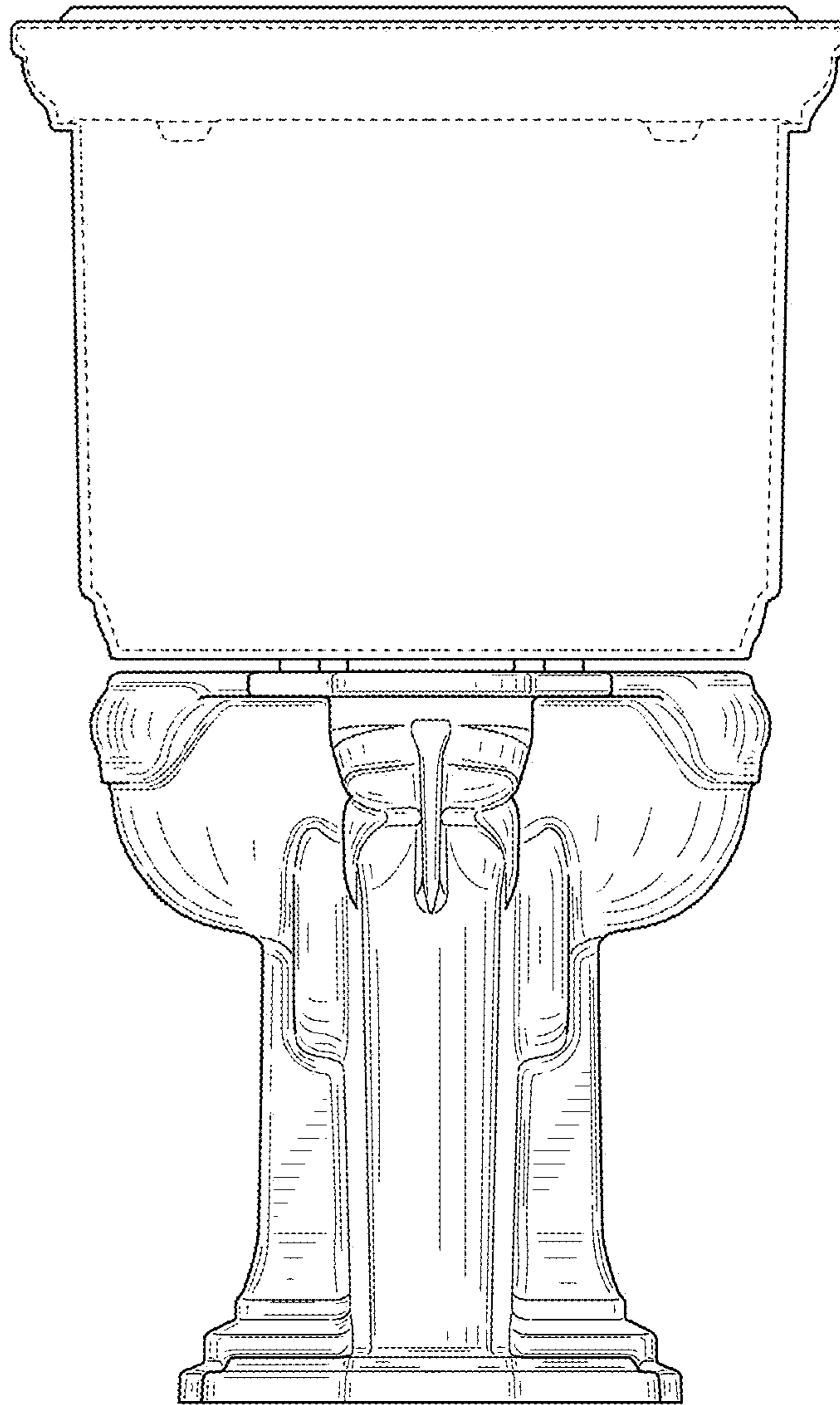
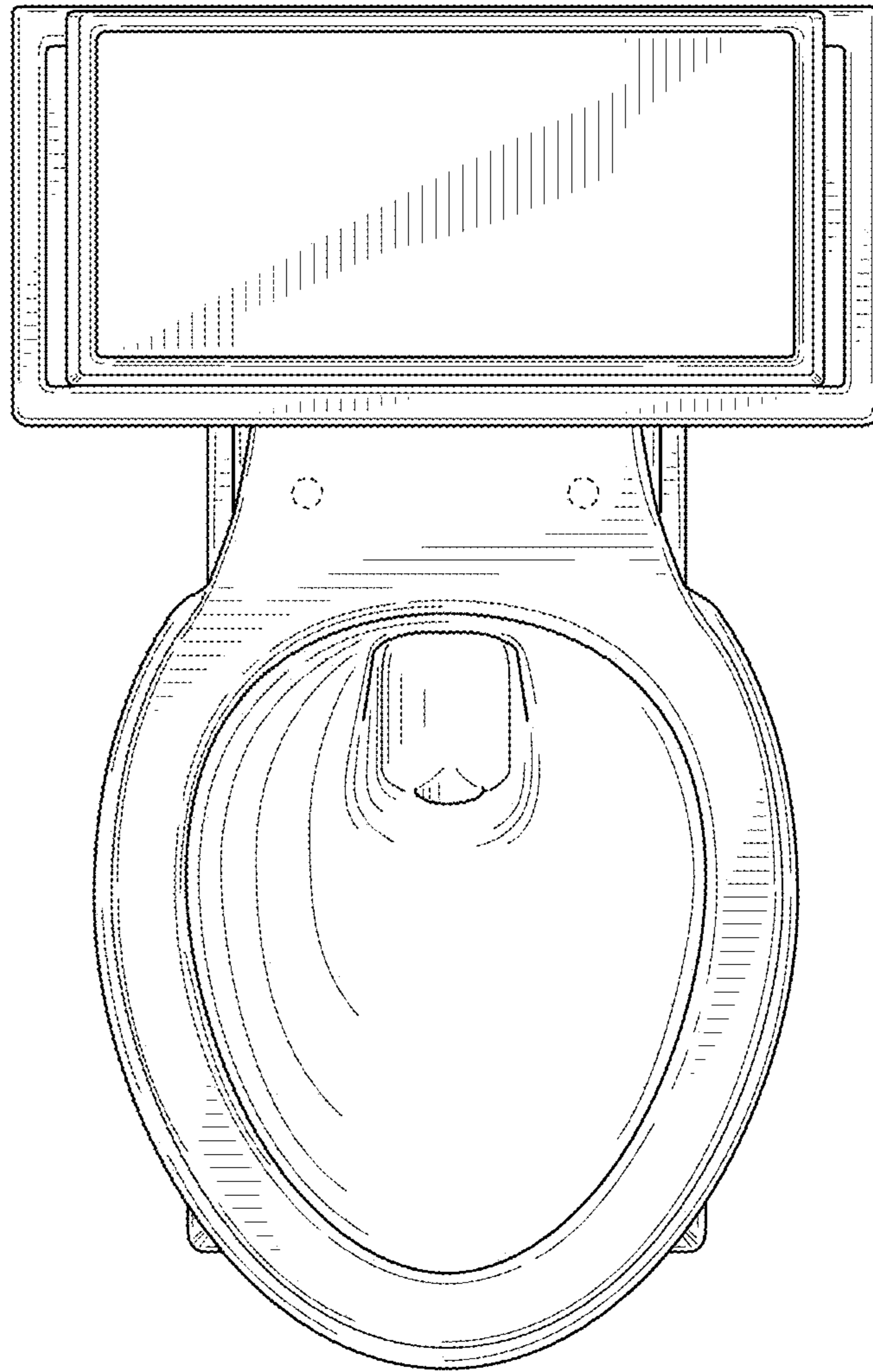


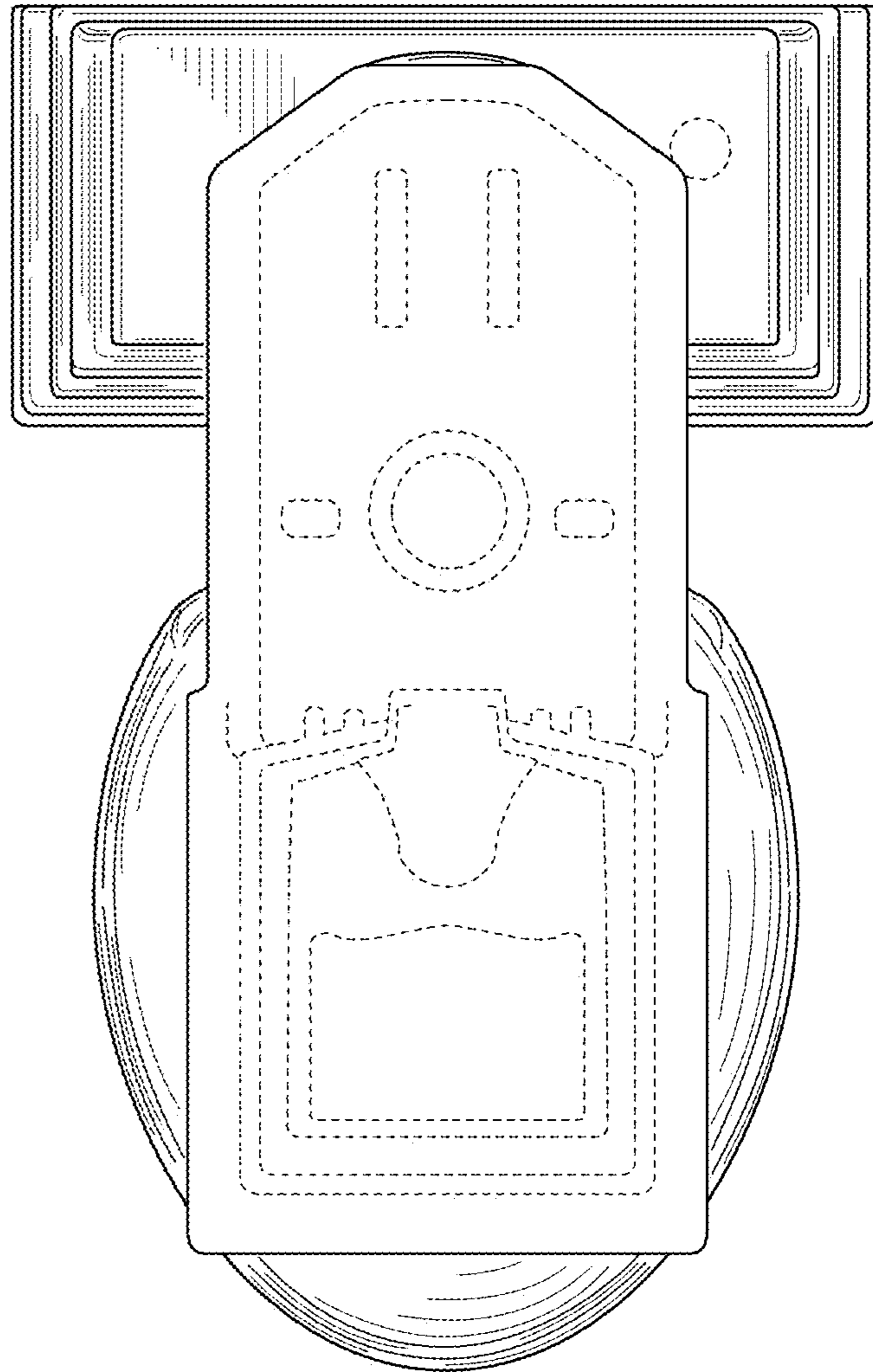
FIG. 4



**FIG. 5**



**FIG. 6**



**FIG. 7**