



US00D827108S

(12) **United States Design Patent** (10) **Patent No.:** **US D827,108 S**  
**McConnell** (45) **Date of Patent:** **\*\* Aug. 28, 2018**

(54) **ANIMAL FACE BATH TUB**

(74) *Attorney, Agent, or Firm* — WPAT, P.C., Intellectual Property Attorneys; Anthony King

(71) Applicant: **Prince Lionheart, Inc.**, Santa Maria, CA (US)

(72) Inventor: **Kelly McConnell**, Santa Maria, CA (US)

(57) **CLAIM**

The ornamental design for a animal face bath tub, as shown and described.

(73) Assignee: **Prince Lionheart, Inc.**, Santa Maria, CA (US)

(\*\*) Term: **15 Years**

**DESCRIPTION**

(21) Appl. No.: **29/603,533**

FIG. 1 is a front perspective view of the animal face bath tub showing my new design with a lid placed on top of the tub; FIG. 2 is a front perspective view thereof with the lid removed;

(22) Filed: **May 10, 2017**

(51) **LOC (11) Cl.** ..... **23-02**

FIG. 3 is a rear perspective view thereof with a lid showing a drain plug;

(52) **U.S. Cl.**

USPC ..... **D23/278**

FIG. 4 is a rear perspective view thereof with lid removed showing a drain plug;

(58) **Field of Classification Search**

USPC ..... D23/278, 303–305; D6/708.19  
See application file for complete search history.

FIG. 5 is a front elevation view thereof having an example of an animal animated face illustrated in broken lines;

(56) **References Cited**

**U.S. PATENT DOCUMENTS**

3,248,741	A *	5/1966	Stout	.....	A47K 3/064
					222/78
D241,250	S *	8/1976	Forte	.....	D23/278
D271,990	S *	12/1983	Lyne	.....	D23/278
D334,052	S *	3/1993	Haran	.....	D23/304
D367,521	S *	2/1996	Miller	.....	D23/278
D390,035	S *	2/1998	Suarez	.....	D23/278
6,775,861	B1 *	8/2004	Devereaux	.....	A47K 3/024
					4/538
D656,227	S *	3/2012	Erli	.....	D23/278
D740,923	S *	10/2015	Tu	.....	D23/278

FIG. 6 is a rear elevation view thereof;

FIG. 7 is a left side elevation view the right side being a mirror image thereof;

FIG. 8 is a top plan view thereof with lid; the bottom surface is not illustrated as it forms no part of the claimed design.

FIG. 9 is a top perspective view thereof with lid;

FIG. 10 is a front elevation view thereof having another example of an animal animated face illustrated in broken lines;

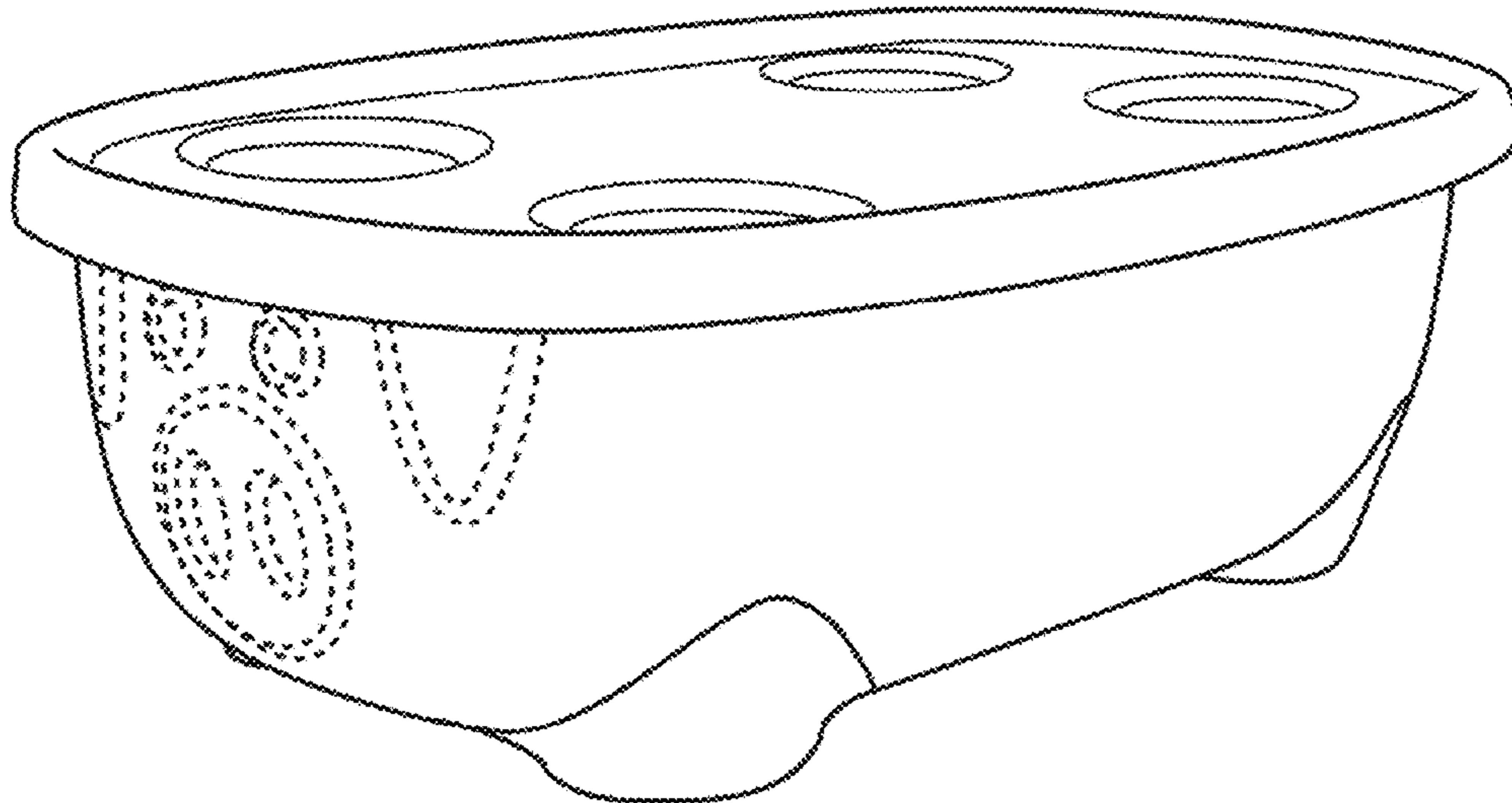
FIG. 11 is a front elevation view thereof having still another example of an animal animated face illustrated in broken lines; and,

FIG. 12 is a front elevation view thereof having yet another example of an animal animated face illustrated in broken lines.

\* cited by examiner

*Primary Examiner* — Robert A Delehanty

**1 Claim, 12 Drawing Sheets**



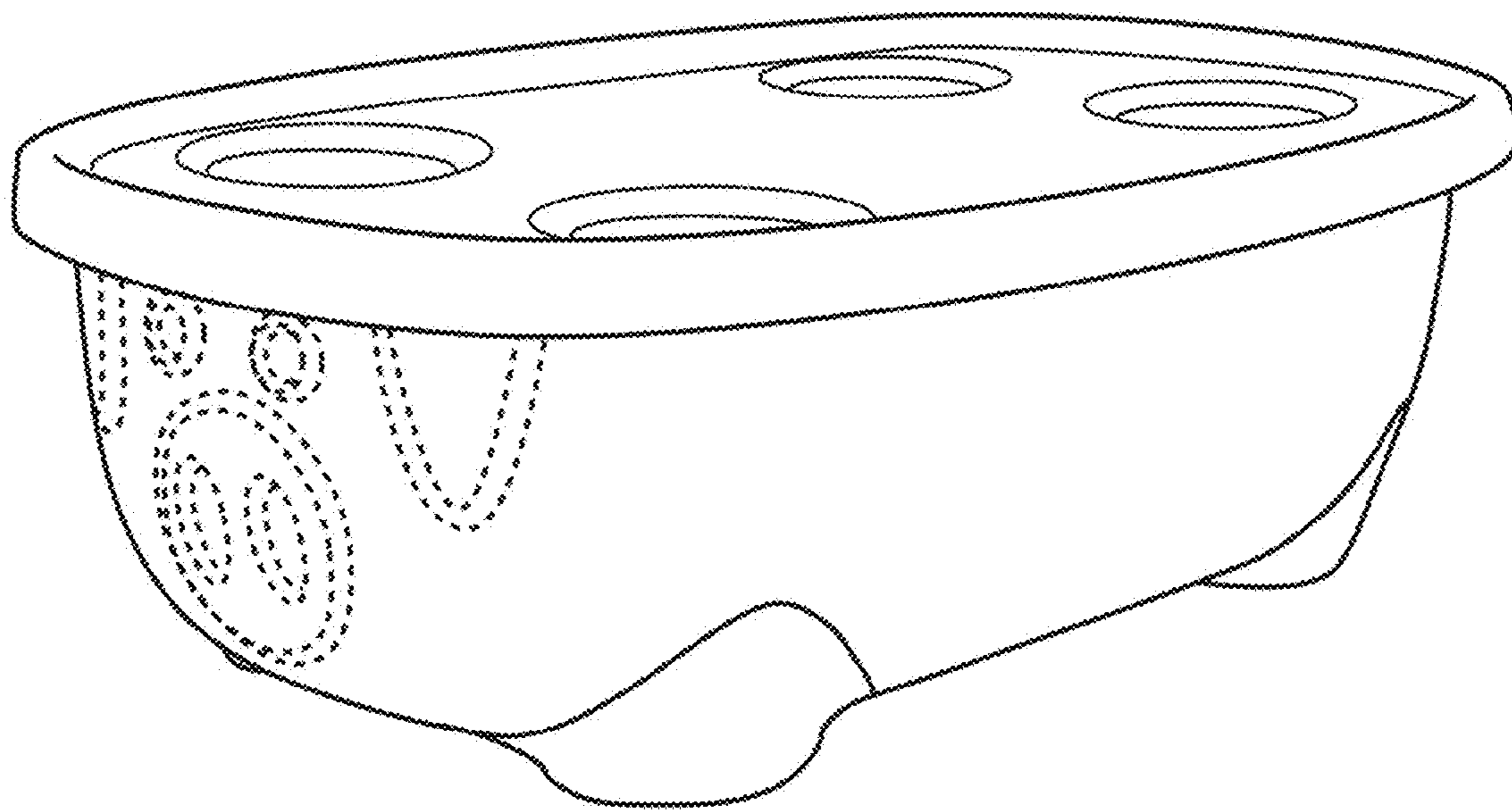


FIGURE 1

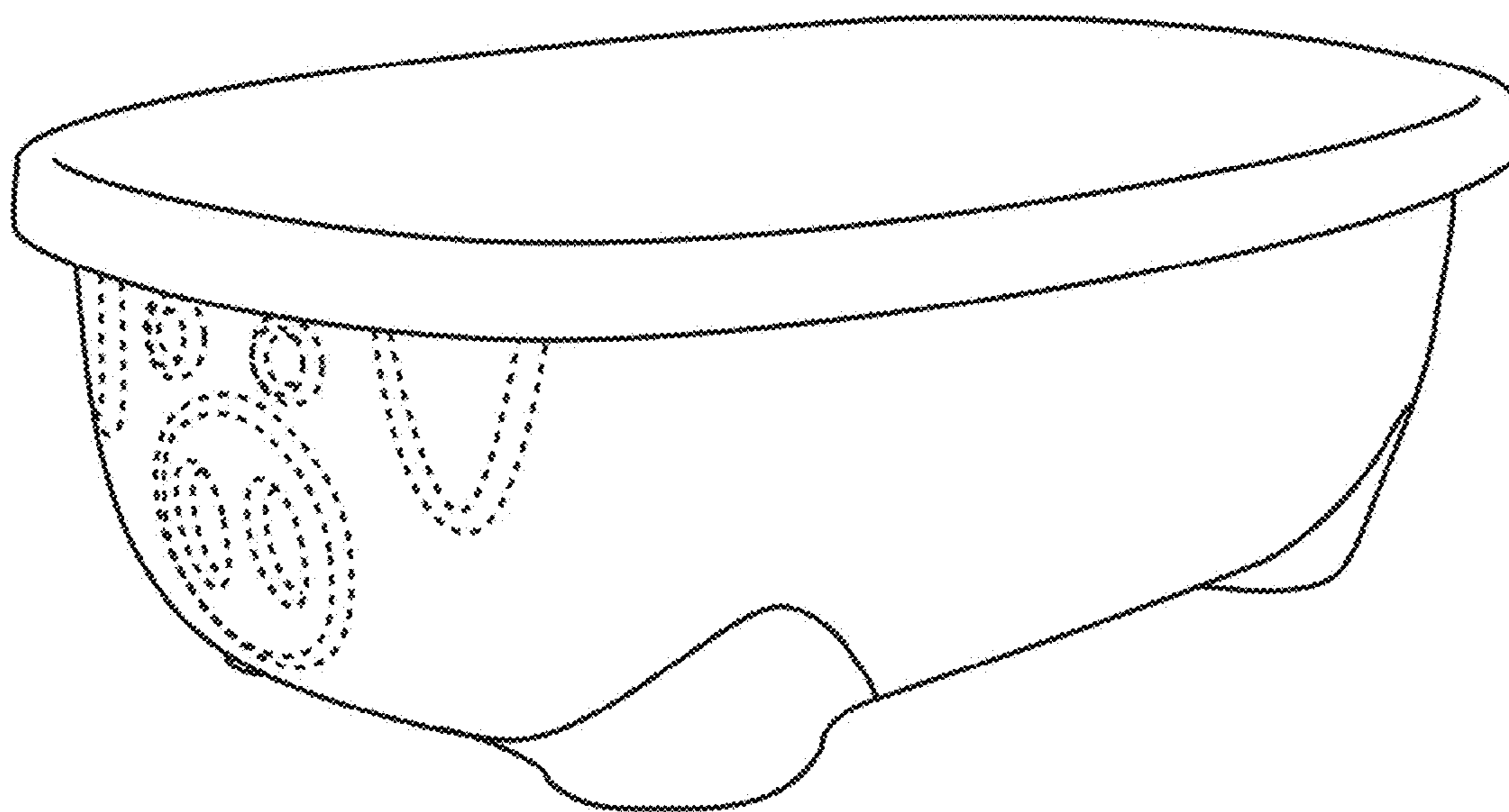


FIGURE 2

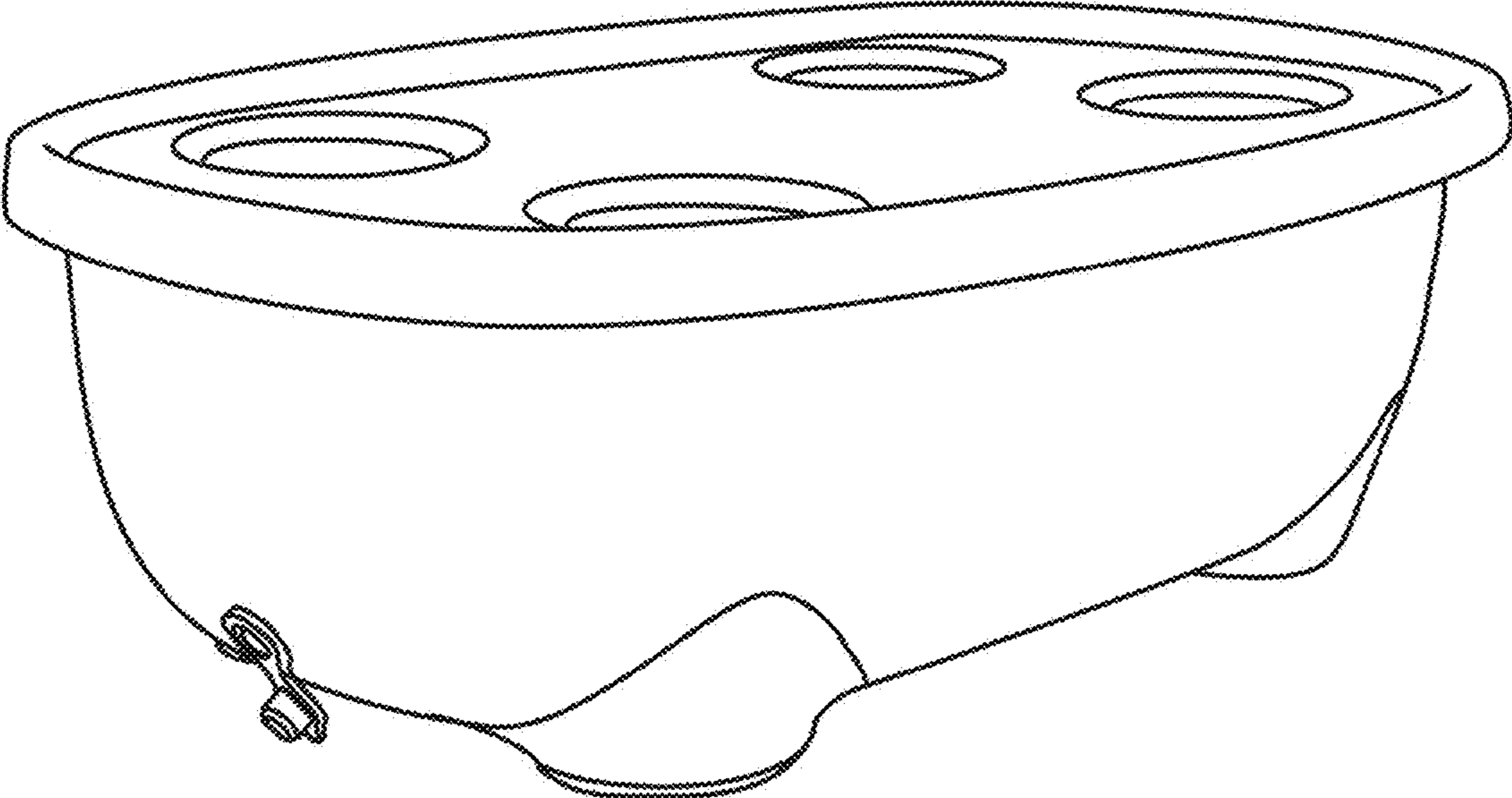


FIGURE 3

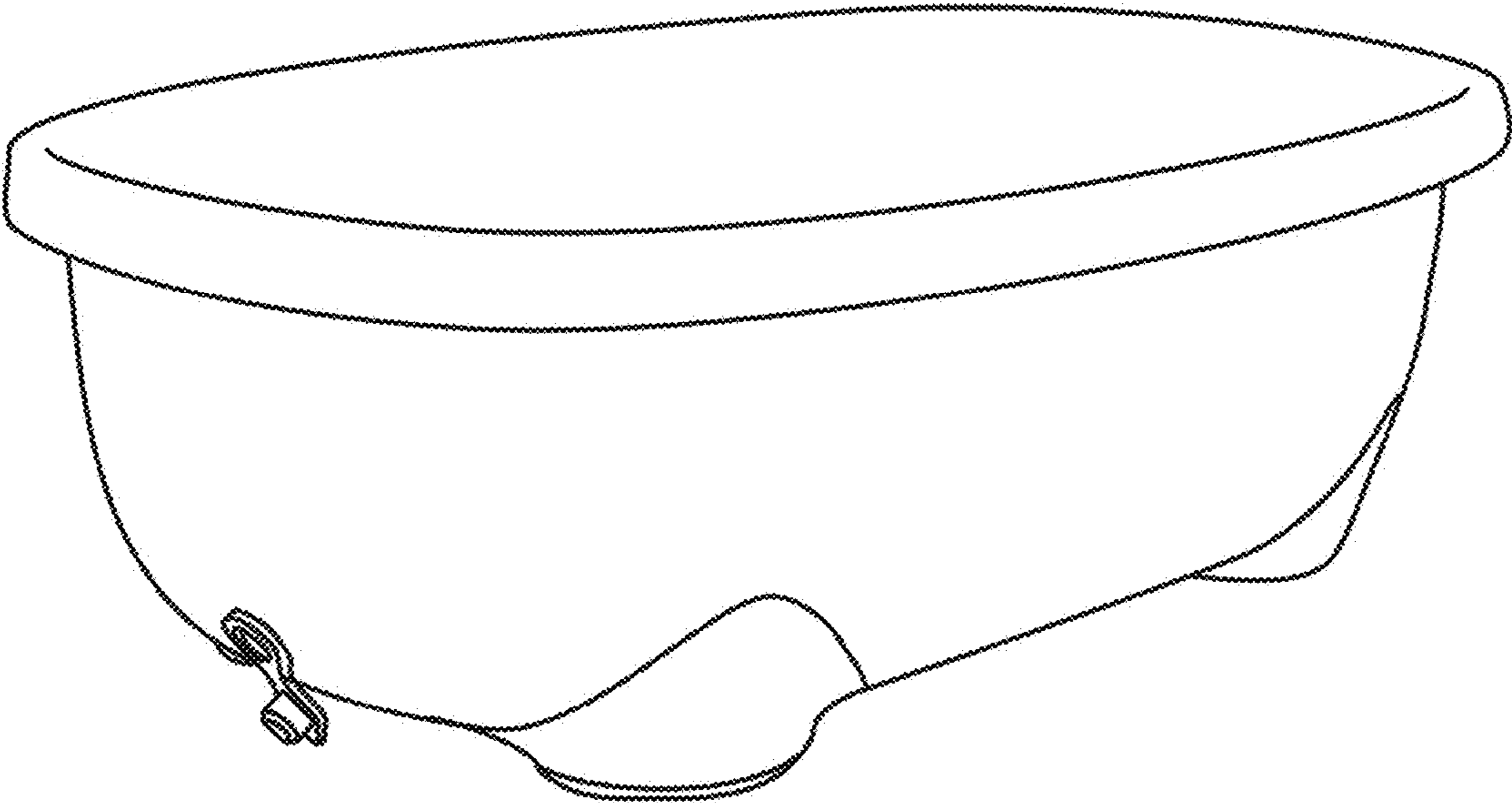


FIGURE 4

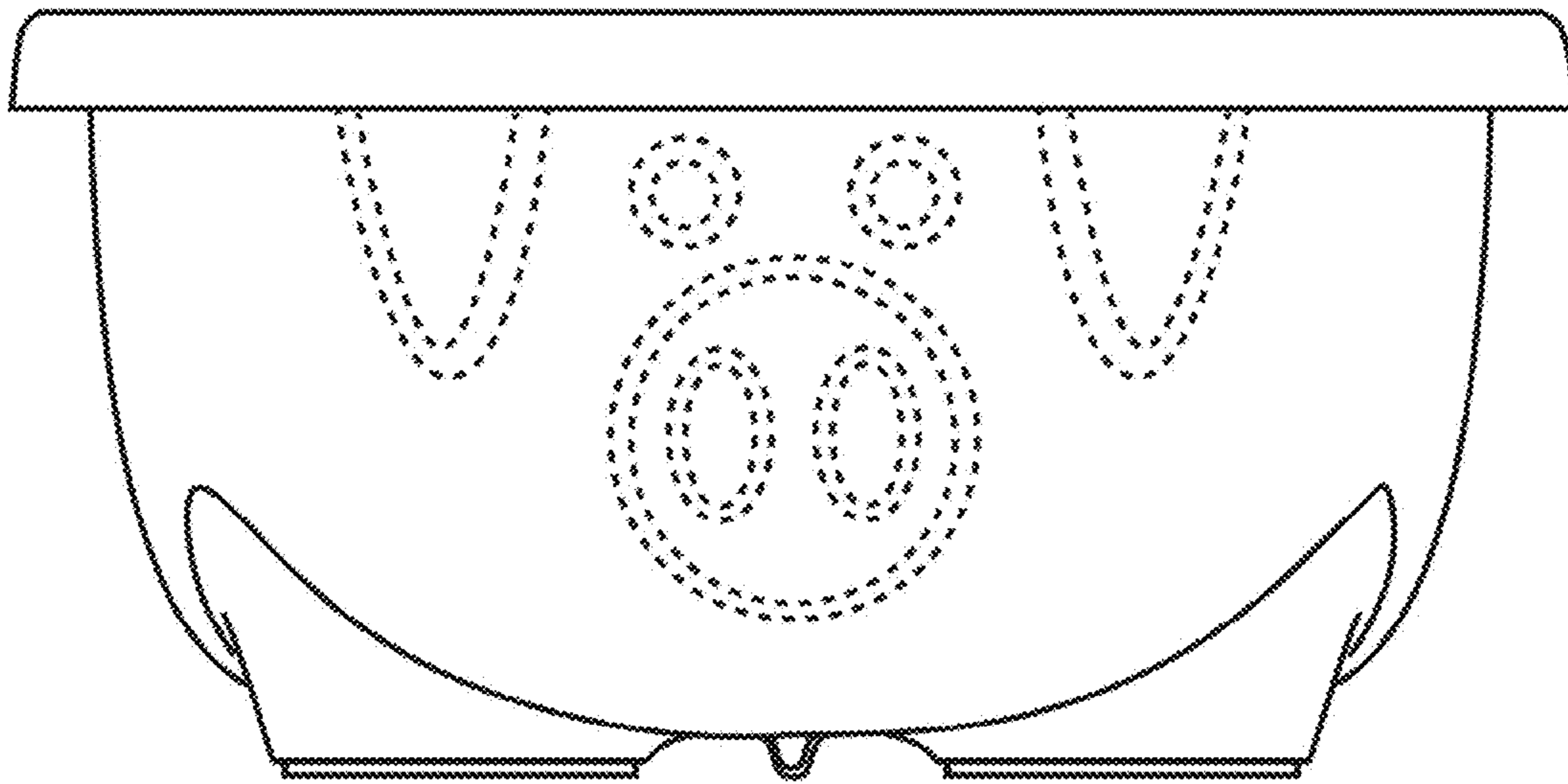


FIGURE 5

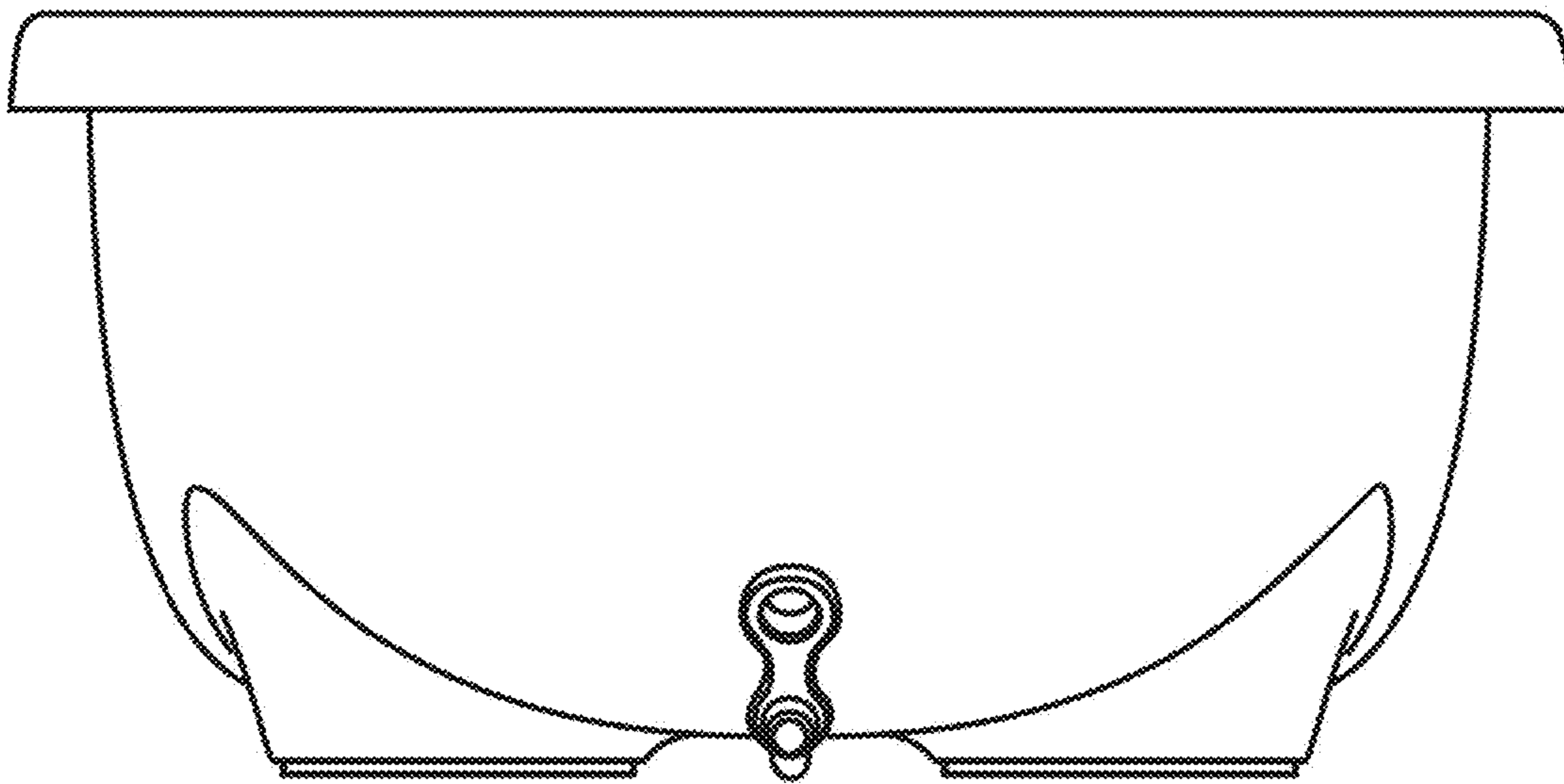


FIGURE 6

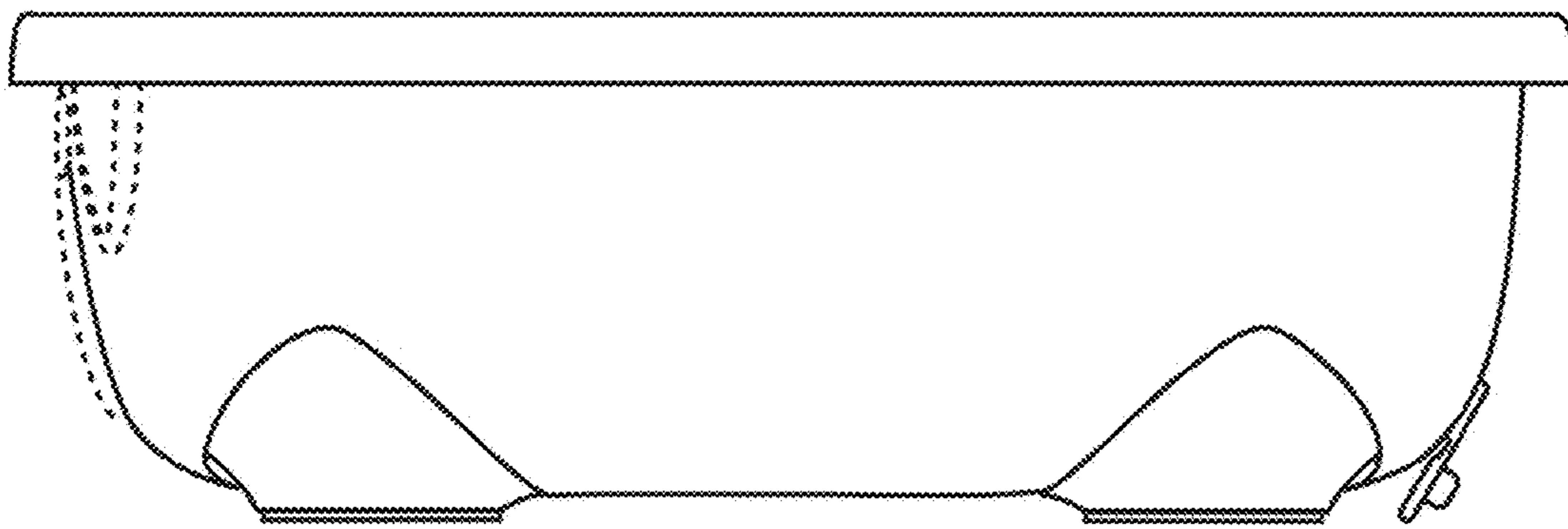


FIGURE 7



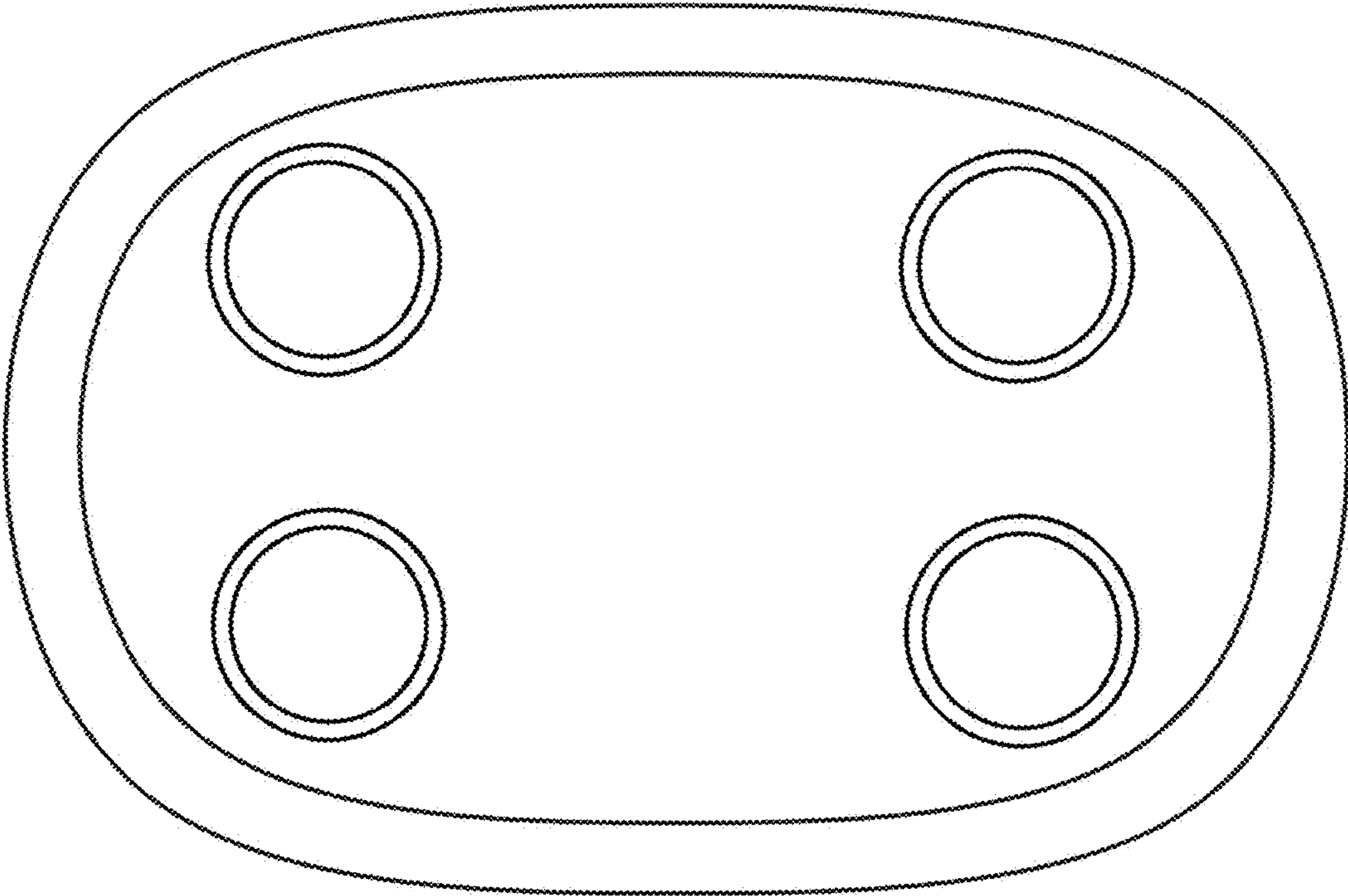


FIGURE 8

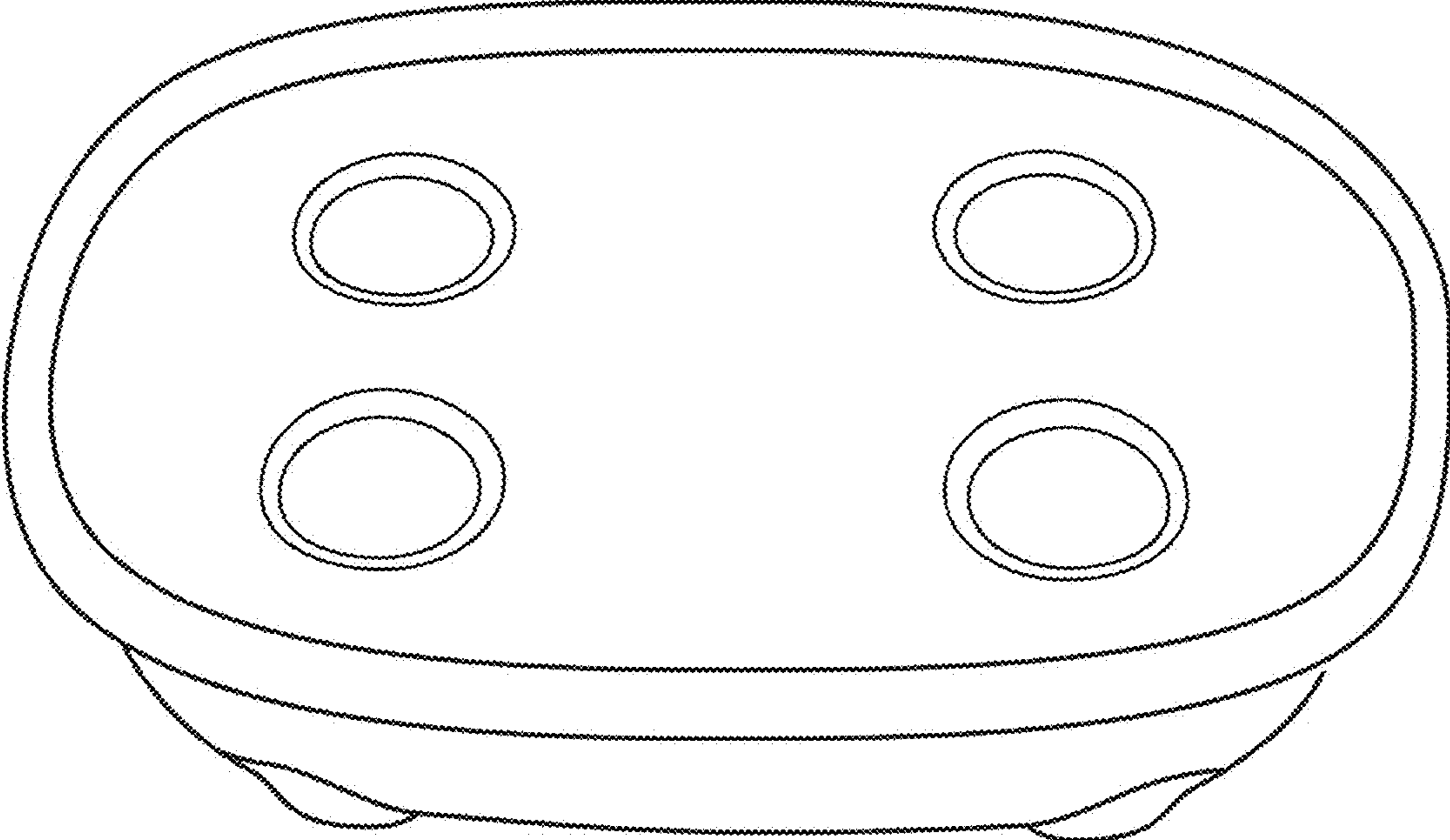


FIGURE 9

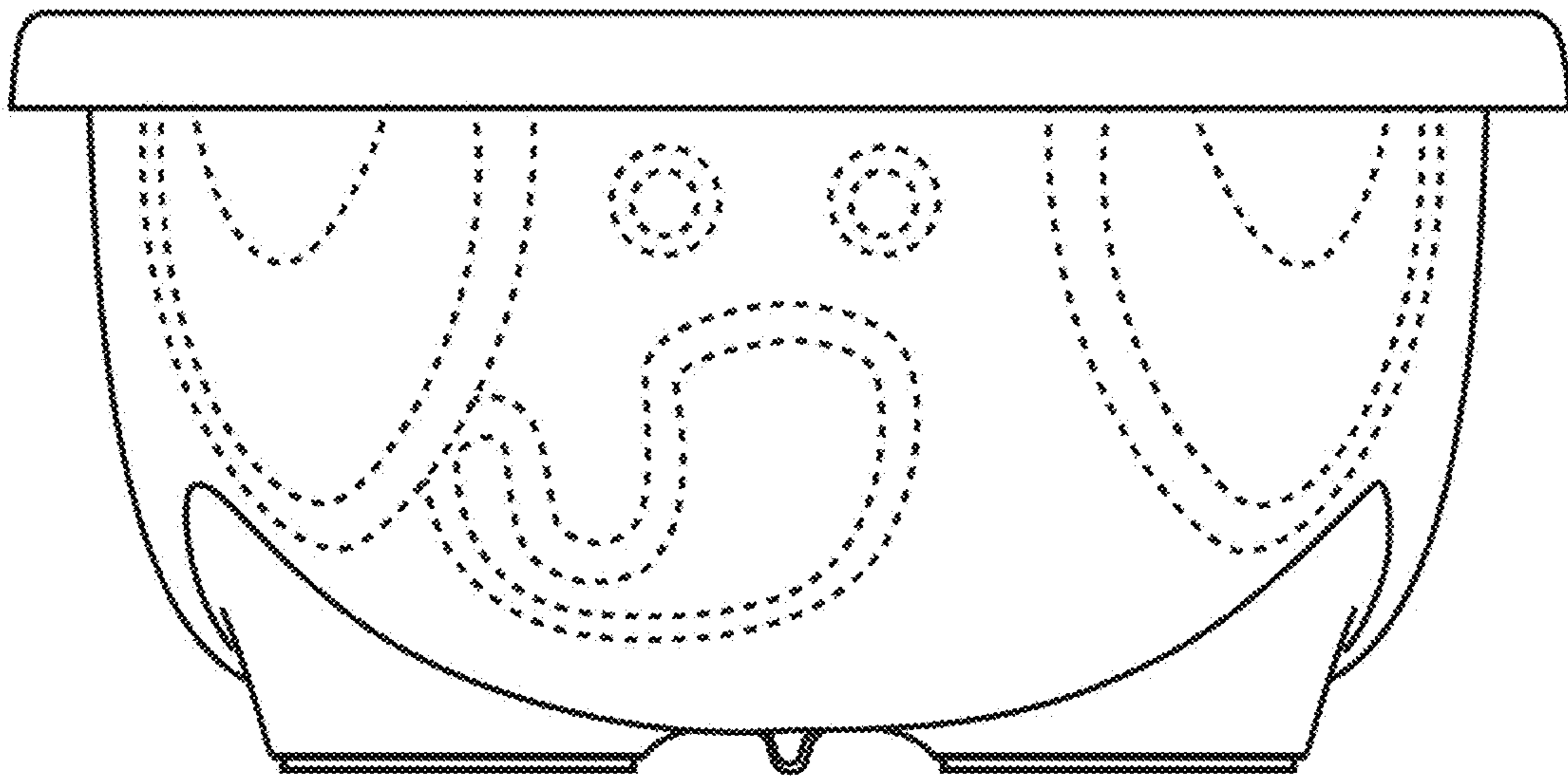


FIGURE 10

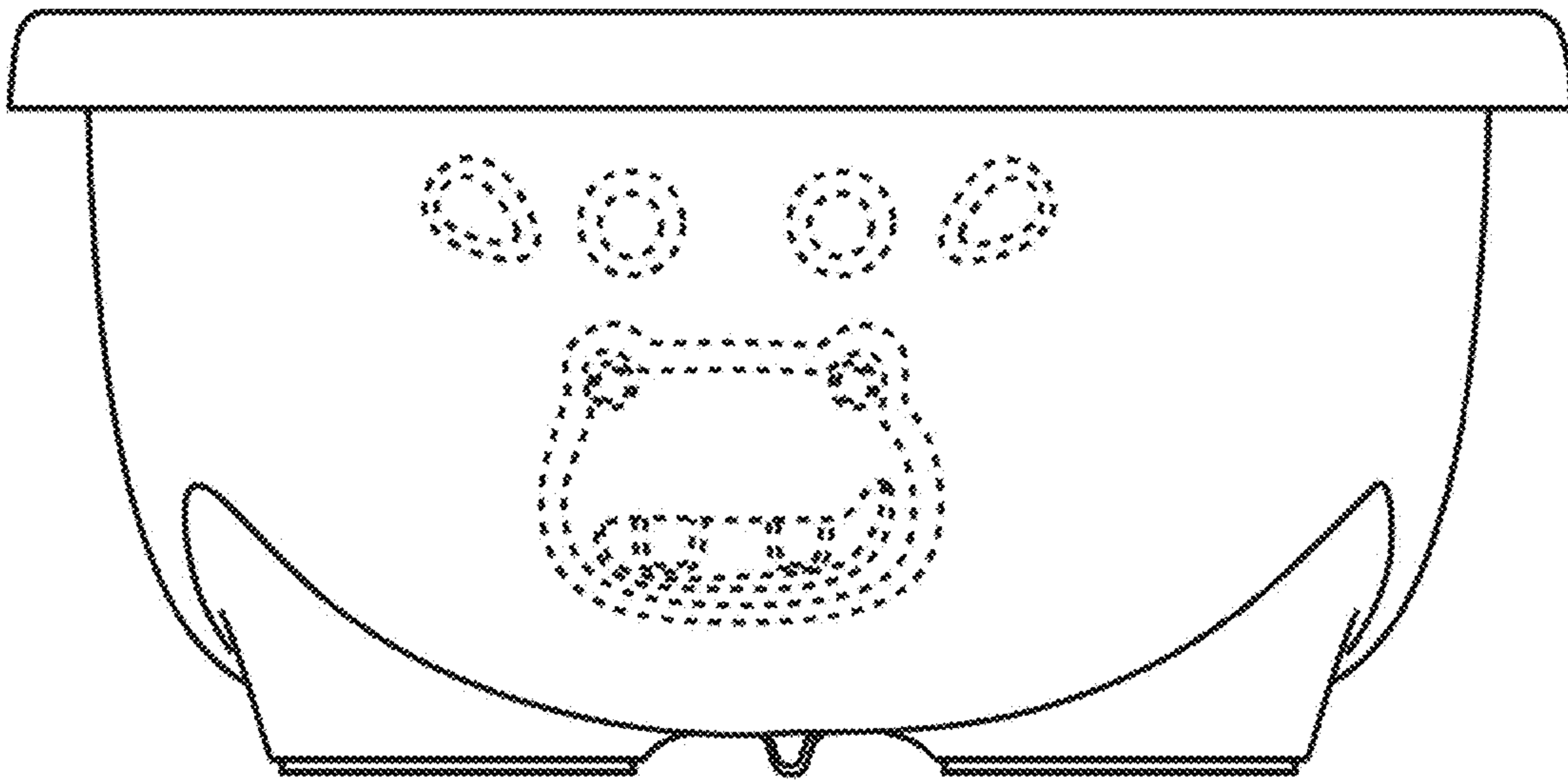


FIGURE 11

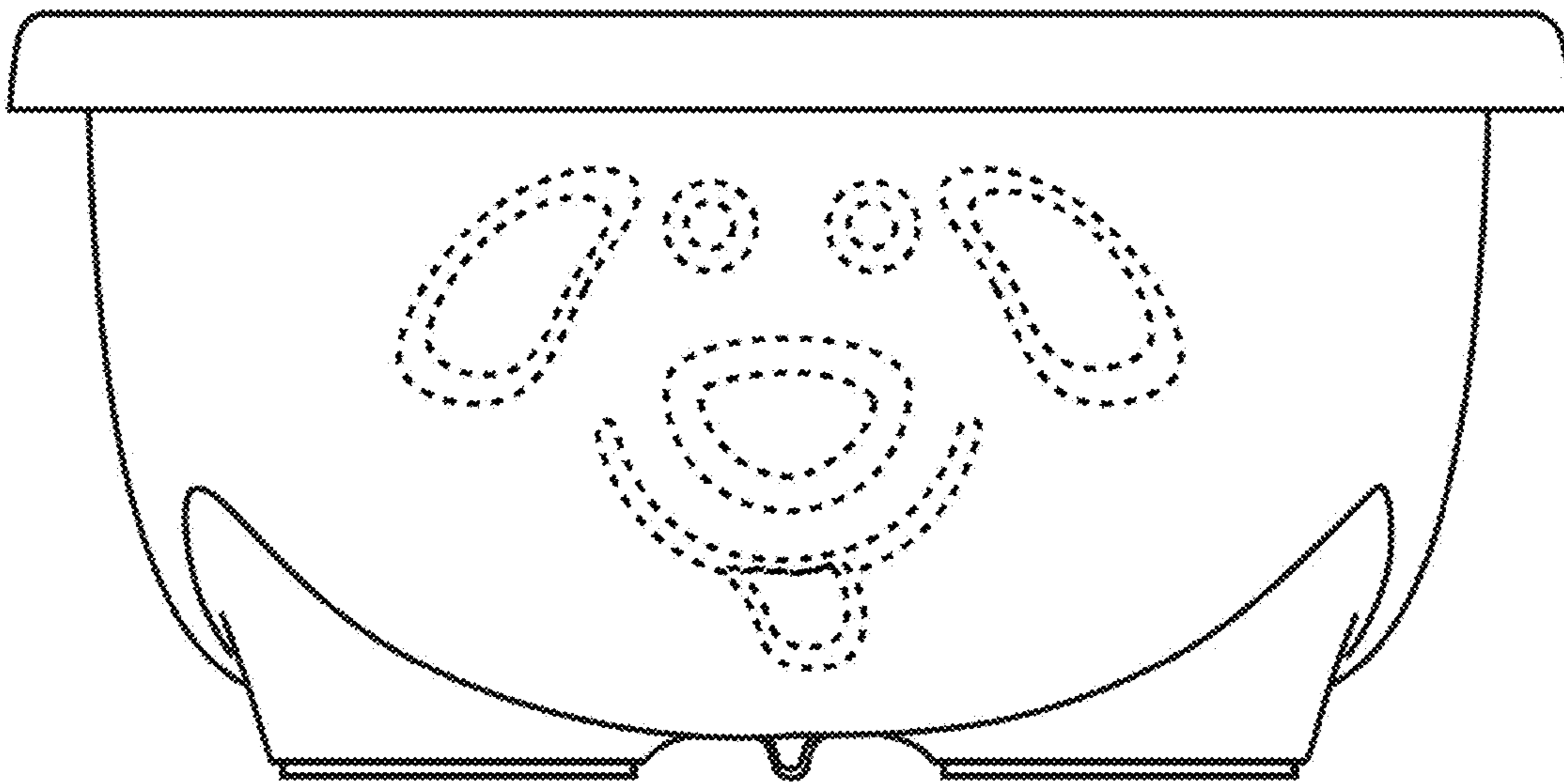


FIGURE 12