



US00D827107S

(12) **United States Design Patent**  
**Schaaf et al.**

(10) **Patent No.:** **US D827,107 S**  
(45) **Date of Patent:** **\*\* Aug. 28, 2018**

(54) **DEVICE FOR THE DISTRIBUTION OF LIQUIDS OR GASES**

(71) Applicant: **REHAU AG & CO.**, Rehau (DE)

(72) Inventors: **Thomas Schaaf**, Höchststadt (DE);  
**Oliver Vocks**, Fürth (DE); **Andreas Kirchberger**, Herzogenaurach (DE);  
**Hansi Homburg**, Höchststadt a.d. Aisch (DE)

(73) Assignee: **Rehau AG & Co**, Rehau (DE)

(\*\*) Term: **15 Years**

(21) Appl. No.: **29/607,772**

(22) Filed: **Jun. 16, 2017**

(30) **Foreign Application Priority Data**

Dec. 16, 2016 (DE) ..... 402016101499

(51) **LOC (11) Cl.** ..... **23-01**

(52) **U.S. Cl.**  
USPC ..... **D23/266**; D23/262

(58) **Field of Classification Search**  
USPC ..... D23/259, 262–266, 268; 285/124.1,  
285/124.5, 383, 39, 275, 305, 322, 223,  
285/235, 285.1; 251/147–149; 239/267,  
239/397; 138/46, 155, 177; D8/382  
CPC ..... F16L 33/225; F16L 37/091; F16L 35/00;  
F16L 21/035; F16L 41/02; F16L 27/10;  
F16L 27/11; F16L 27/12; F16L 27/111;  
F16L 27/113; F16L 27/04  
See application file for complete search history.

(56) **References Cited**

**U.S. PATENT DOCUMENTS**

4,321,911 A \* 3/1982 Offutt ..... F24J 2/245  
126/663  
D273,804 S \* 5/1984 Fueoep ..... D13/102

4,623,170 A \* 11/1986 Cornwall ..... E04G 15/061  
249/177  
D407,802 S \* 4/1999 Hatfield ..... D23/262  
6,345,844 B1 \* 2/2002 Miyajima ..... F16L 37/02  
285/231  
D530,796 S \* 10/2006 Zielke ..... D23/262  
7,618,070 B2 \* 11/2009 Stoll ..... F16L 47/02  
285/305  
D627,039 S \* 11/2010 Yu ..... D23/260

(Continued)

*Primary Examiner* — Eric L Goodman

*Assistant Examiner* — Amy C Wierenga

(74) *Attorney, Agent, or Firm* — Bond Schoeneck & King, PLLC; George McGuire

(57) **CLAIM**

The ornamental design for a device for the distribution of liquids or gases, as shown and described.

**DESCRIPTION**

FIG. 1 is a perspective view of a first embodiment for a new and ornamental design for a device for the distribution of liquids or gases;

FIG. 2 is a first side elevation view thereof;

FIG. 3 is a second side elevation view thereof;

FIG. 4 is a front elevation view thereof;

FIG. 5 is a top plan view thereof;

FIG. 6 is a bottom plan view thereof;

FIG. 7 is a perspective view of a second embodiment for a new and ornamental design for a device for the distribution of liquids or gases;

FIG. 8 is a first side elevation view thereof;

FIG. 9 is a second side elevation view thereof;

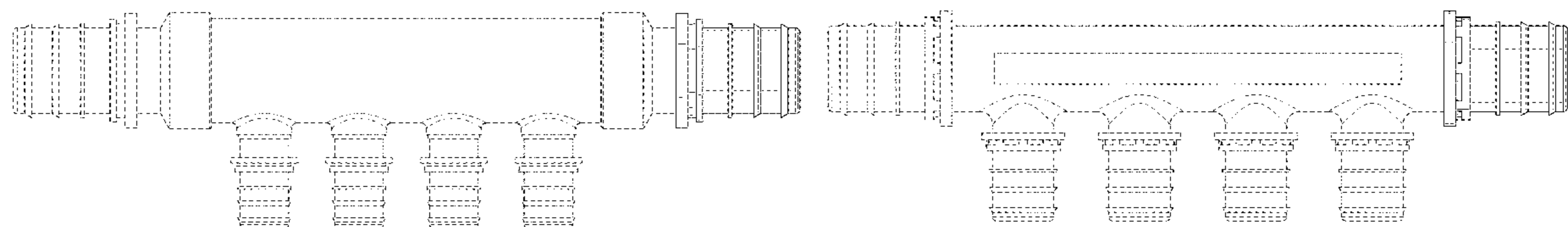
FIG. 10 is a front elevation view thereof;

FIG. 11 is a top plan view thereof; and,

FIG. 12 is a bottom plan view thereof.

The broken lines shown in the drawings illustrate environment only that form no part of the claim.

**1 Claim, 10 Drawing Sheets**



(56)

**References Cited**

U.S. PATENT DOCUMENTS

8,678,443 B2 \* 3/2014 Bonhag ..... B25B 27/10  
285/239  
D709,994 S \* 7/2014 King ..... F16L 21/035  
D23/259  
D715,145 S \* 10/2014 Yamagishi ..... D23/259  
D767,736 S \* 9/2016 Nasu ..... D23/266  
2001/0052699 A1 \* 12/2001 Guest ..... F16L 33/18  
285/323  
2003/0160448 A1 \* 8/2003 Takayanagi ..... F16L 37/098  
285/305  
2015/0035271 A1 \* 2/2015 Luce ..... F16L 35/00  
285/114  
2015/0219262 A1 \* 8/2015 Schuessler ..... F16L 41/08  
285/317

\* cited by examiner

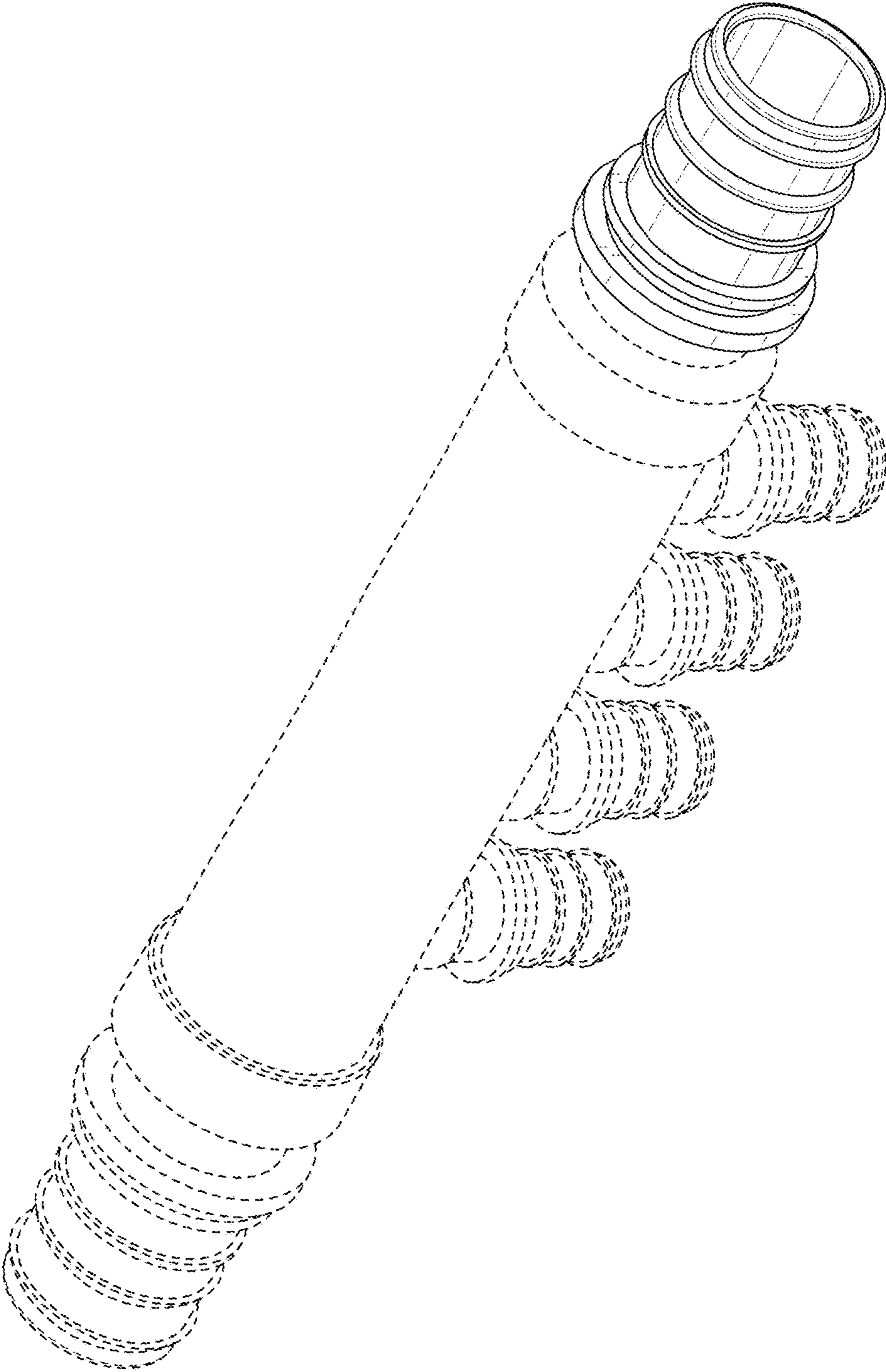


FIG. 1

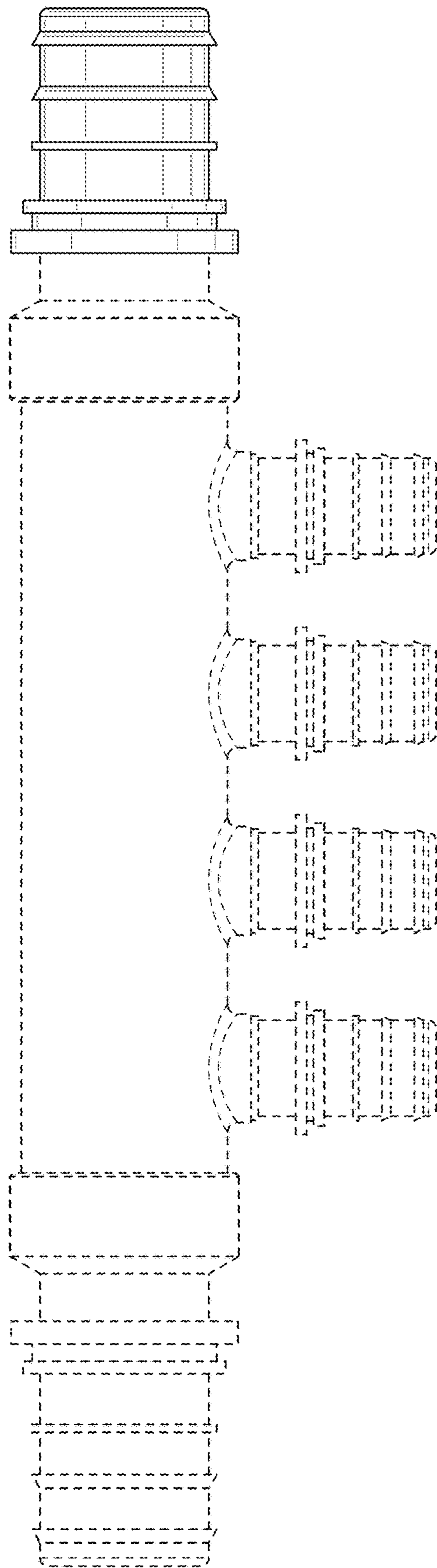


FIG. 2

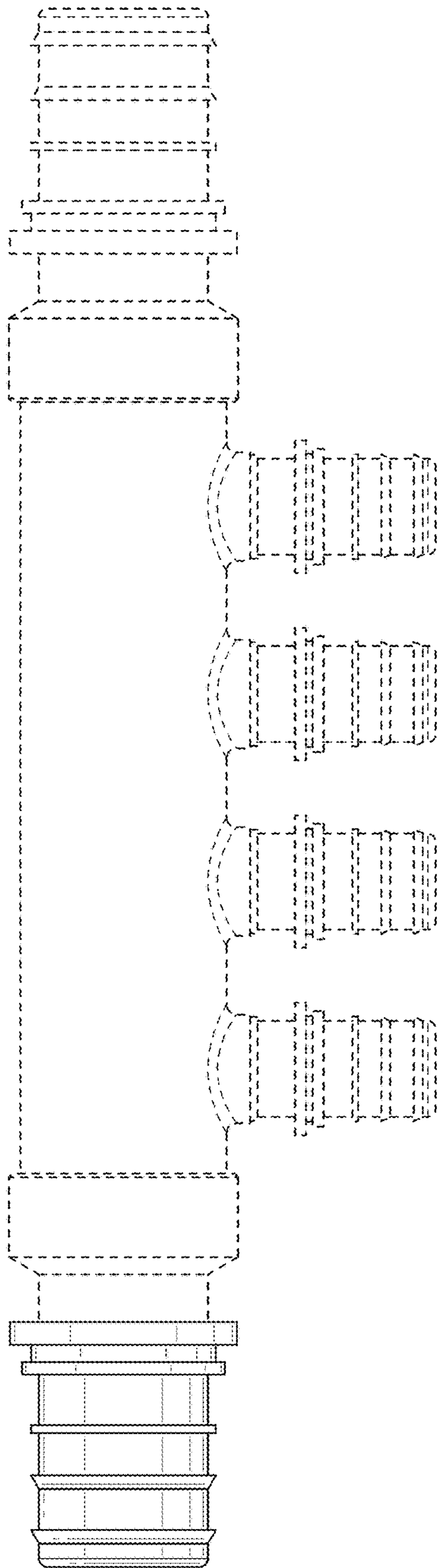


FIG. 3

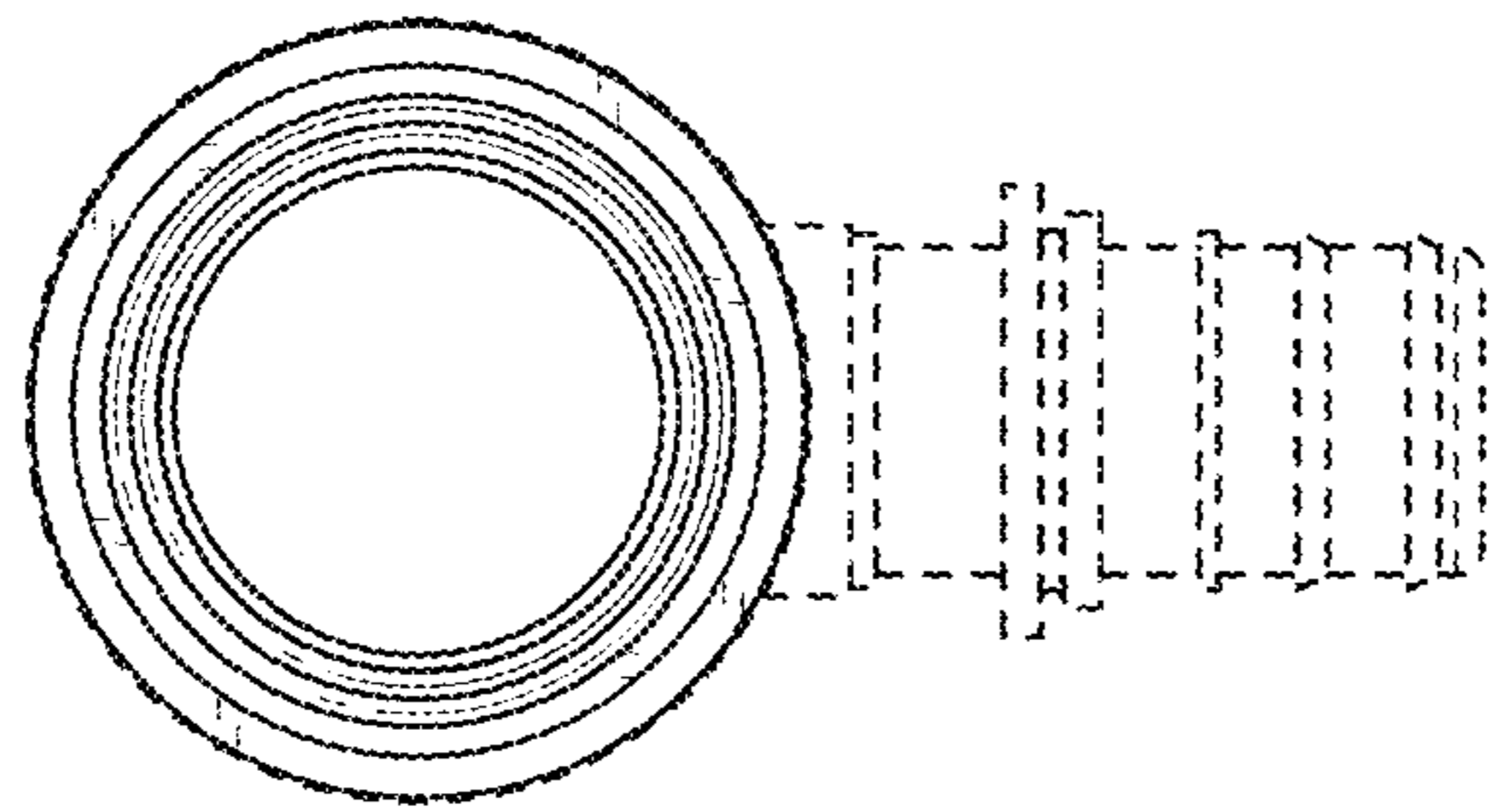


FIG. 4

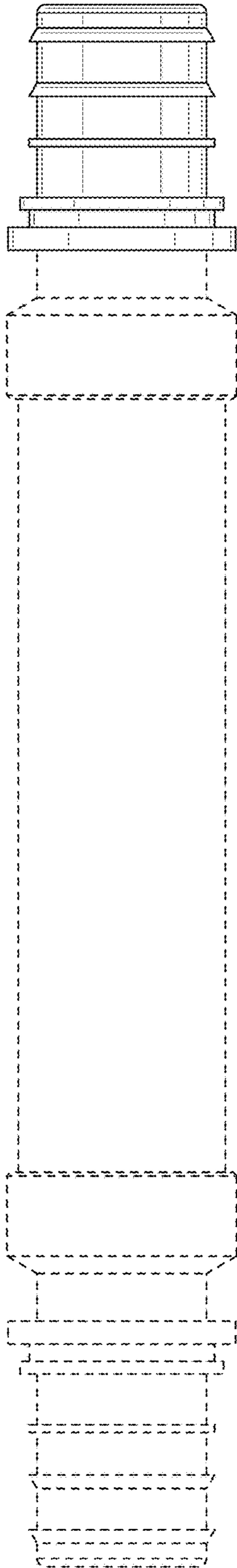


FIG. 5

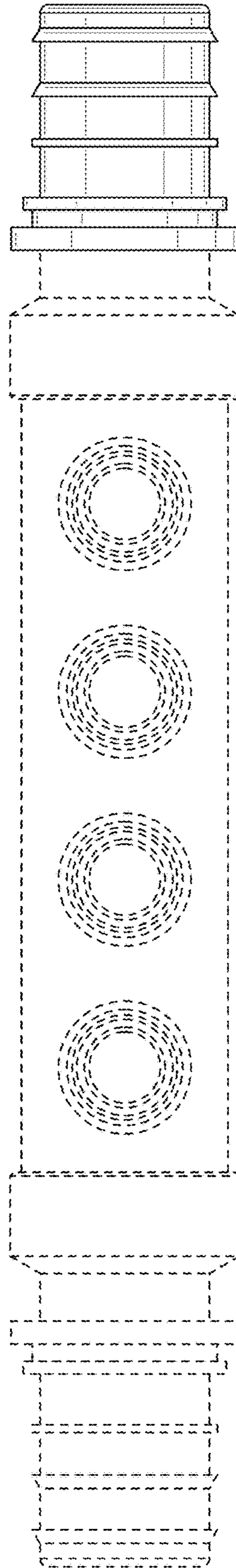


FIG. 6

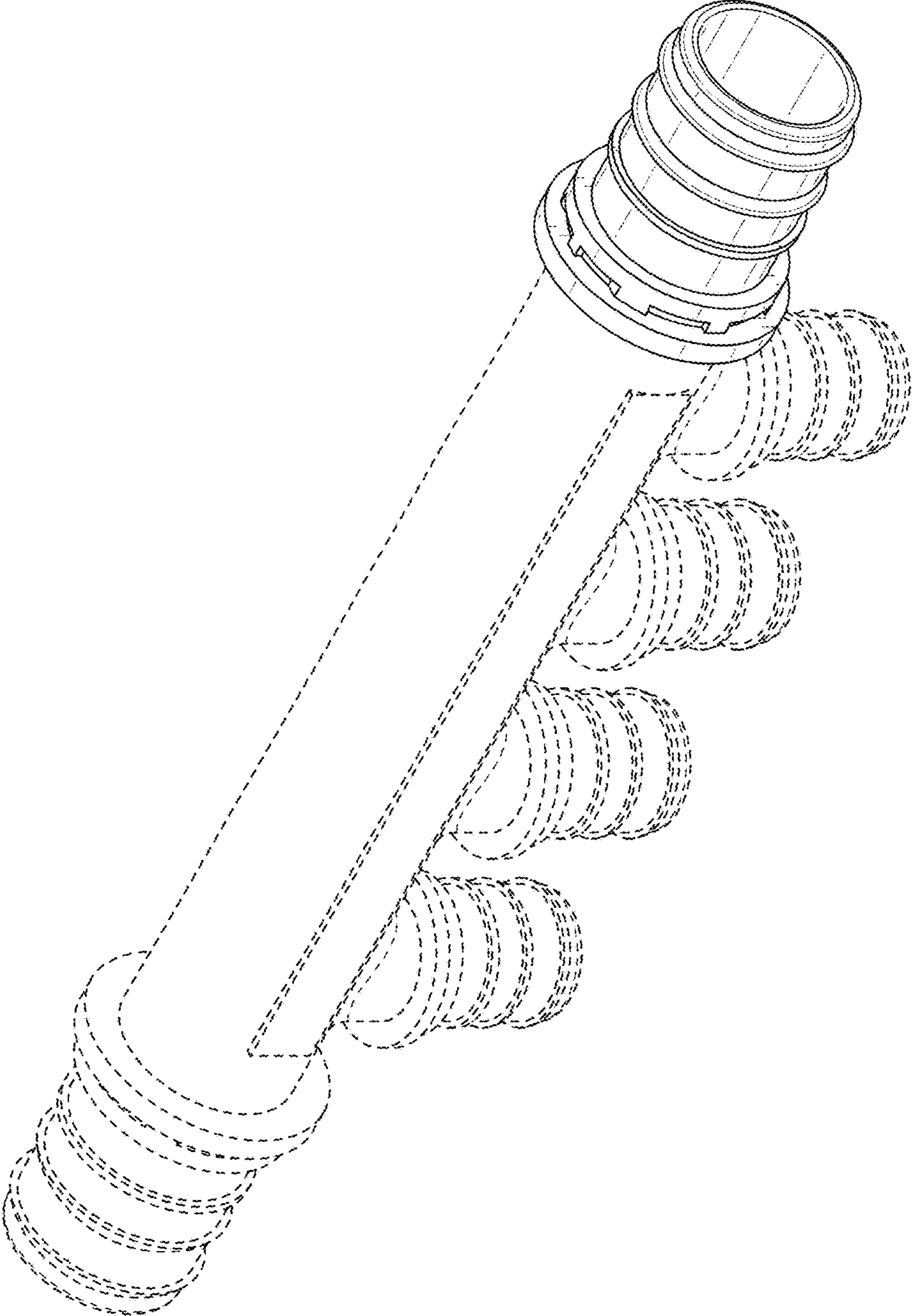


FIG. 7



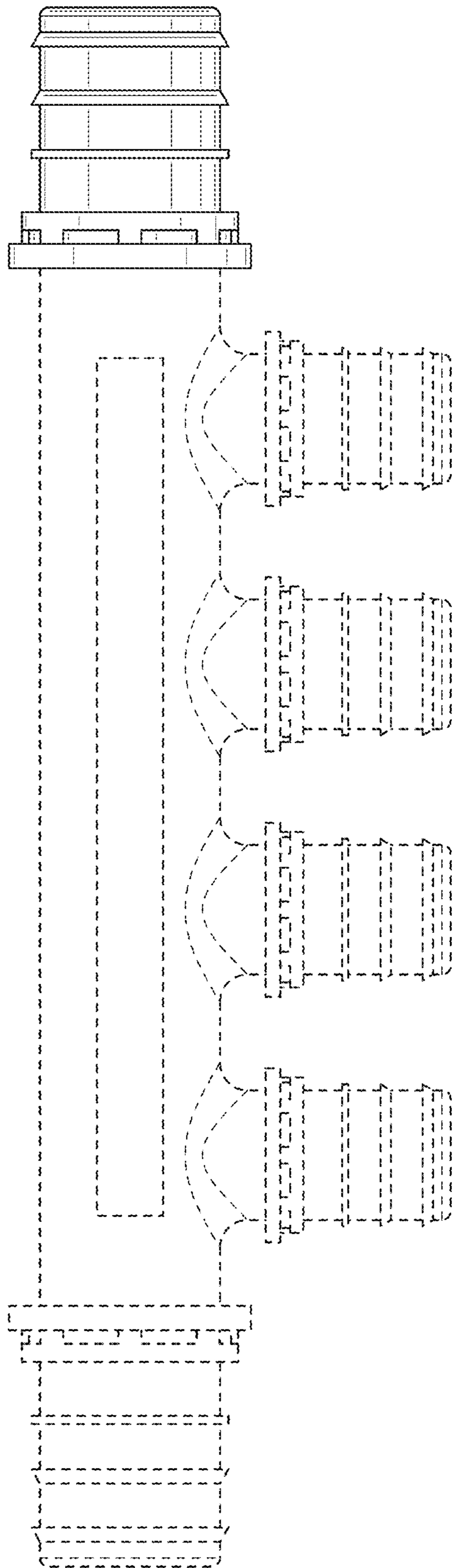


FIG. 8

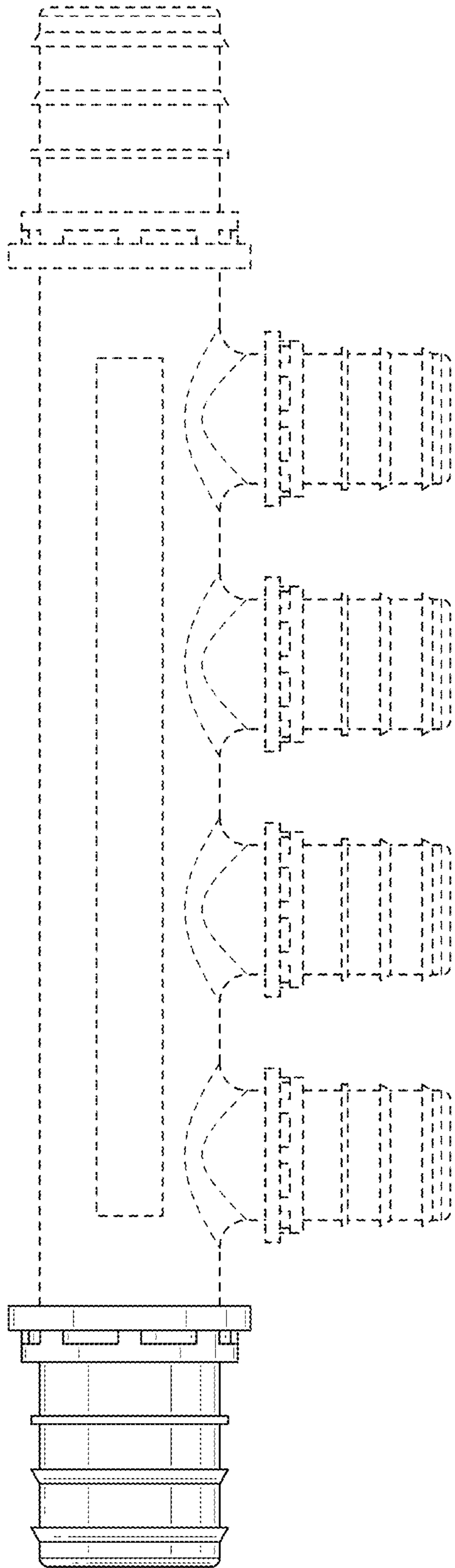


FIG. 9

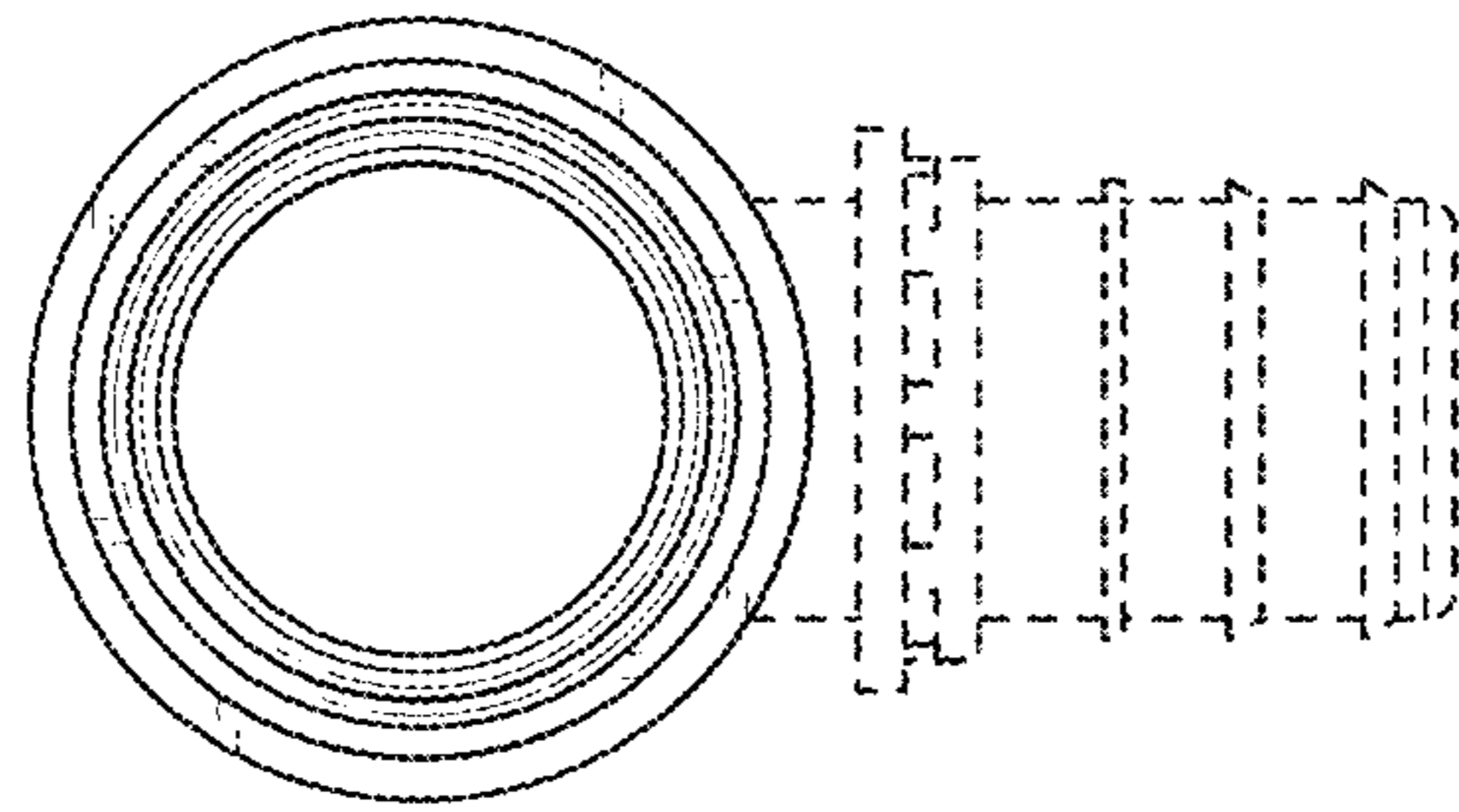


FIG. 10

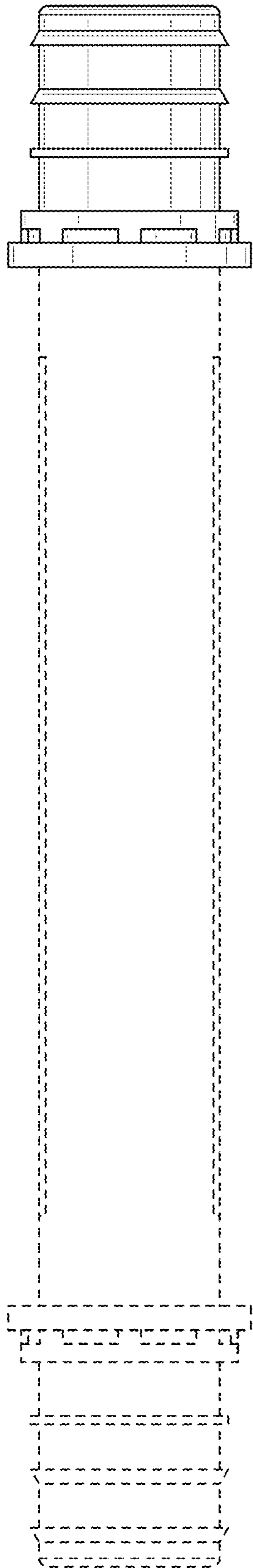


FIG. 11

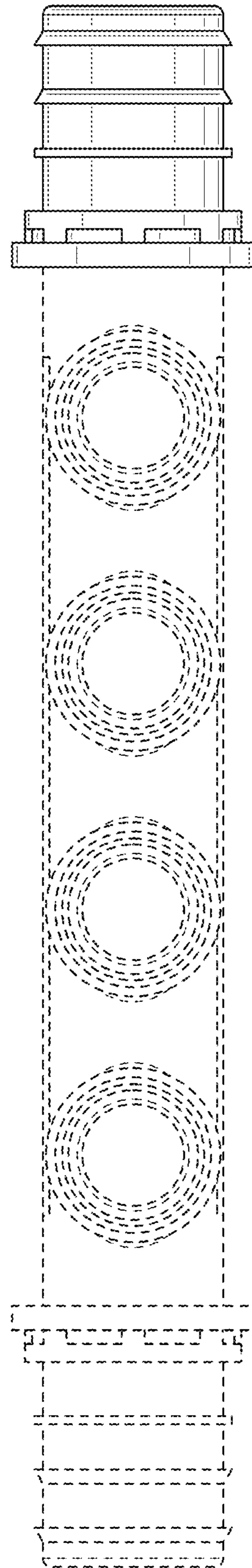


FIG. 12