



US00D827106S

(12) **United States Design Patent** (10) **Patent No.:** **US D827,106 S**
Rexach et al. (45) **Date of Patent:** **** Aug. 28, 2018**

- (54) **FAUCET**
- (71) Applicant: **Kohler Co.**, Kohler, WI (US)
- (72) Inventors: **Rafael A. Rexach**, Sheboygan, WI (US); **Tory L. Hayner**, Howards Grove, WI (US); **Drew Johnson**, Sheboygan, WI (US)
- (73) Assignee: **KOHLER CO.**, Kohler, WI (US)
- (**) Term: **15 Years**
- (21) Appl. No.: **29/574,028**
- (22) Filed: **Aug. 11, 2016**
- (51) **LOC (11) Cl.** **23-01**
- (52) **U.S. Cl.**
USPC **D23/255**
- (58) **Field of Classification Search**
USPC D23/238–243, 249, 255, 257
CPC Y10T 137/9464
See application file for complete search history.

D718,427 S * 11/2014 Fritz D23/257
 D750,754 S 3/2016 Rexach
 D757,905 S 5/2016 Rexach

OTHER PUBLICATIONS

U.S. Appl. No. 29/542,966, filed Oct. 20, 2015, Kohler Co.

* cited by examiner

Primary Examiner — Robert A Delehanty

(74) *Attorney, Agent, or Firm* — Foley & Lardner LLP

(57) **CLAIM**

We claim the ornamental design for a faucet, as shown and described.

DESCRIPTION

FIG. 1 is a top, front, right perspective view of an exemplary embodiment of the claimed design;
 FIG. 2 is a front elevation view thereof;
 FIG. 3 is a rear elevation view thereof;
 FIG. 4 is a right side elevation view thereof;
 FIG. 5 is a left side elevation view thereof;
 FIG. 6 is a top plan view thereof; and,
 FIG. 7 is a bottom plan view thereof.

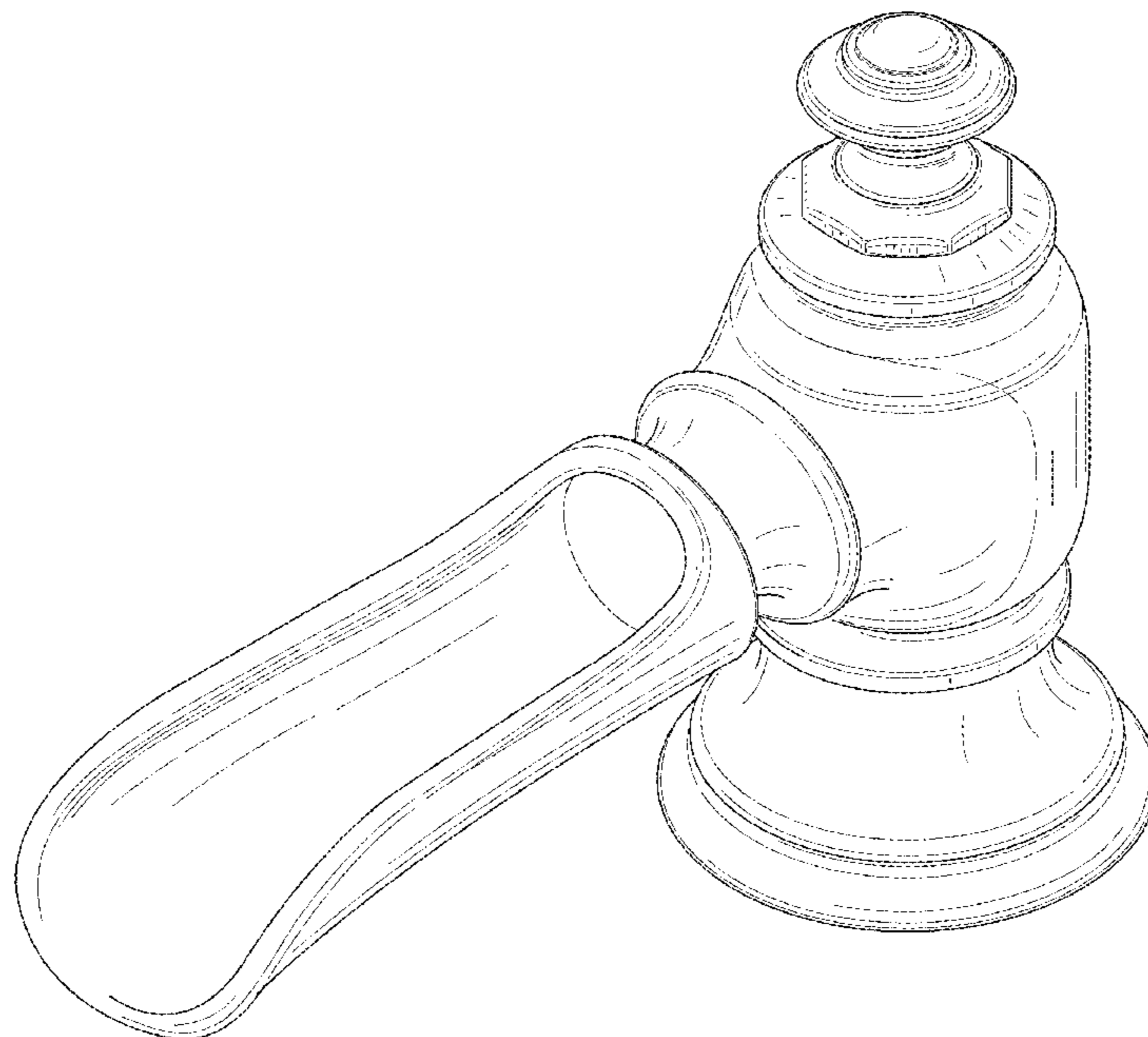
The ornamental design which is claimed is shown in solid lines in the drawings. The broken lines in the drawings are for illustrative purposes only and form no part of the claimed design. Broken lines formed by equal length dashes show unclaimed subject matter. Broken lines formed by unequal length dashes (i.e., dash-dot) define bounds of the claimed design.

1 Claim, 7 Drawing Sheets

(56) **References Cited**

U.S. PATENT DOCUMENTS

D462,749 S *	9/2002	Lord	D23/255
D472,615 S *	4/2003	Smith	D23/238
D487,916 S *	3/2004	Lord	D23/238
D521,125 S *	5/2006	Fritz	D23/255
D576,710 S *	9/2008	Fritz	D23/238
D586,429 S *	2/2009	Fritz	D23/238
D683,428 S *	5/2013	Kwok	D23/238
D717,917 S	11/2014	Rexach et al.		
D717,925 S	11/2014	Rexach et al.		
D717,926 S	11/2014	Rexach et al.		
D718,426 S	11/2014	Rexach et al.		



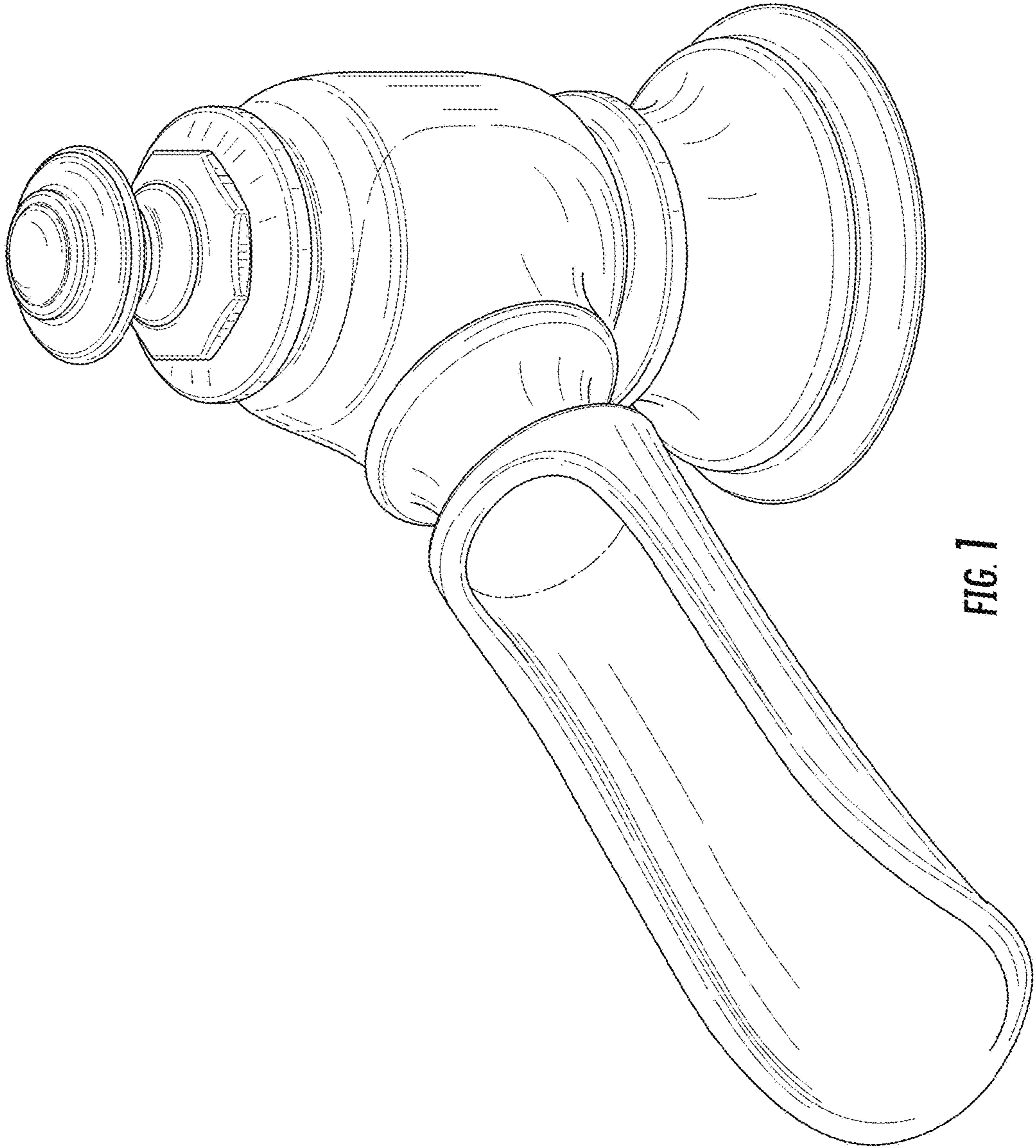


FIG. 1

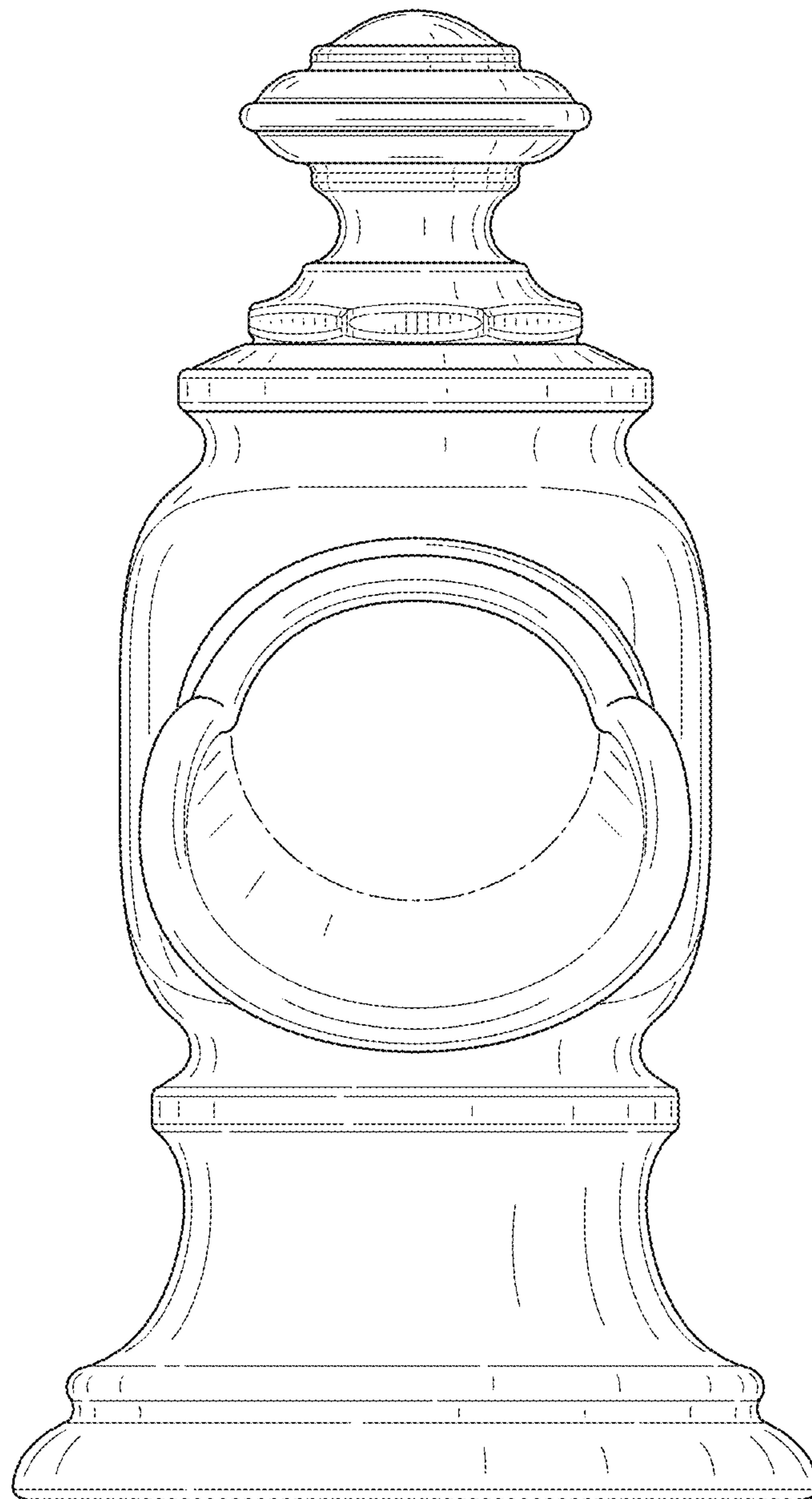


FIG. 2

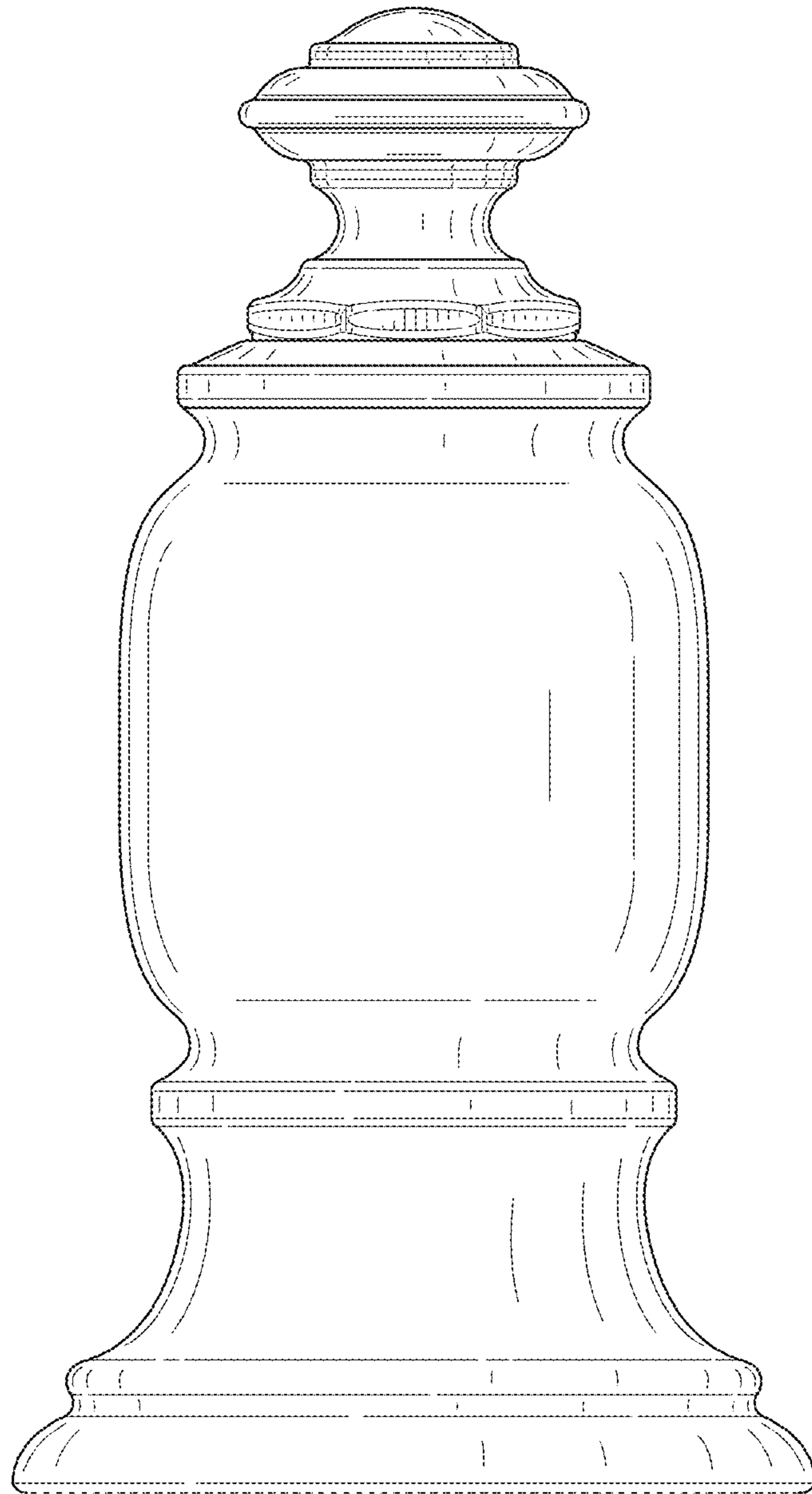


FIG. 3

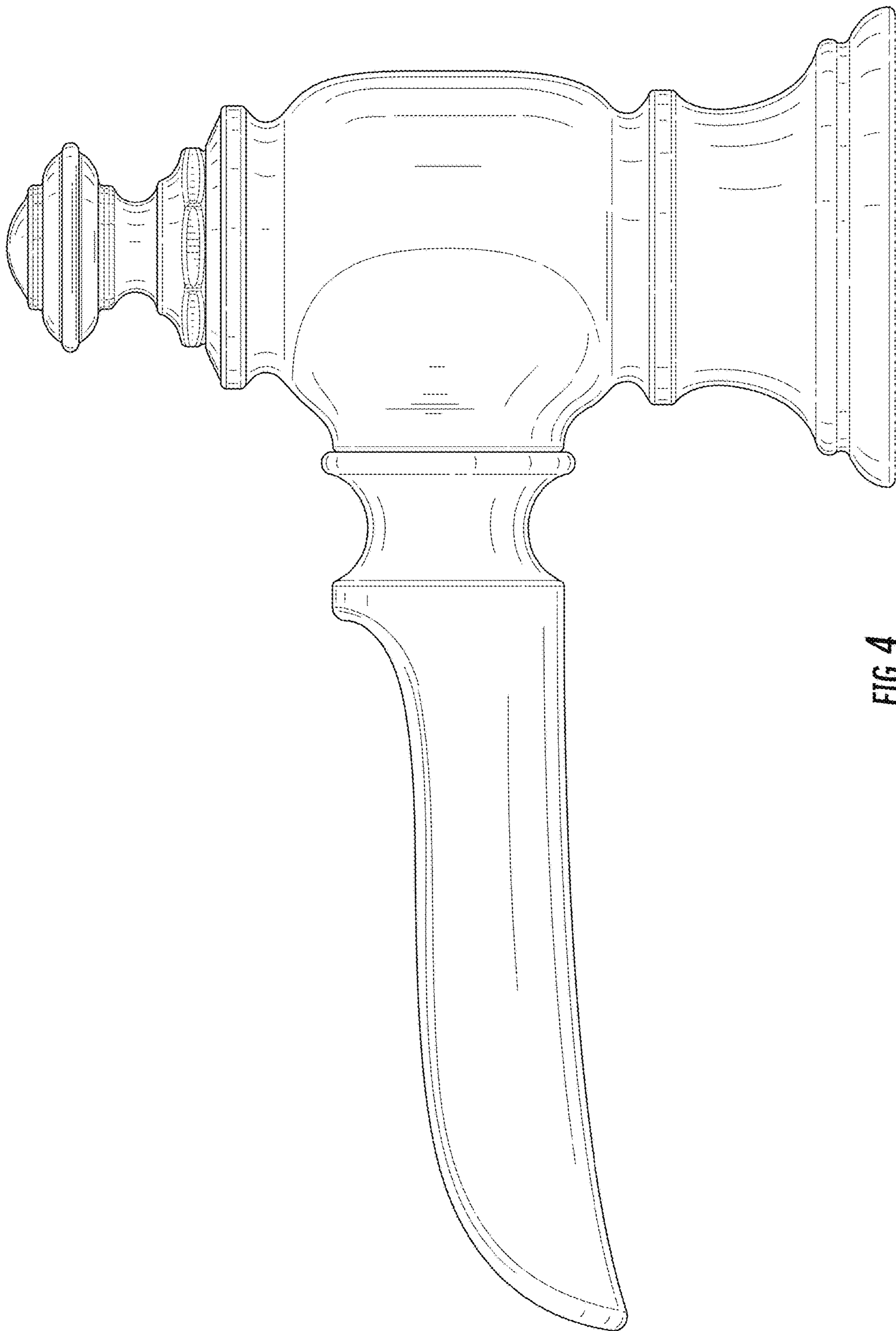


FIG. 4

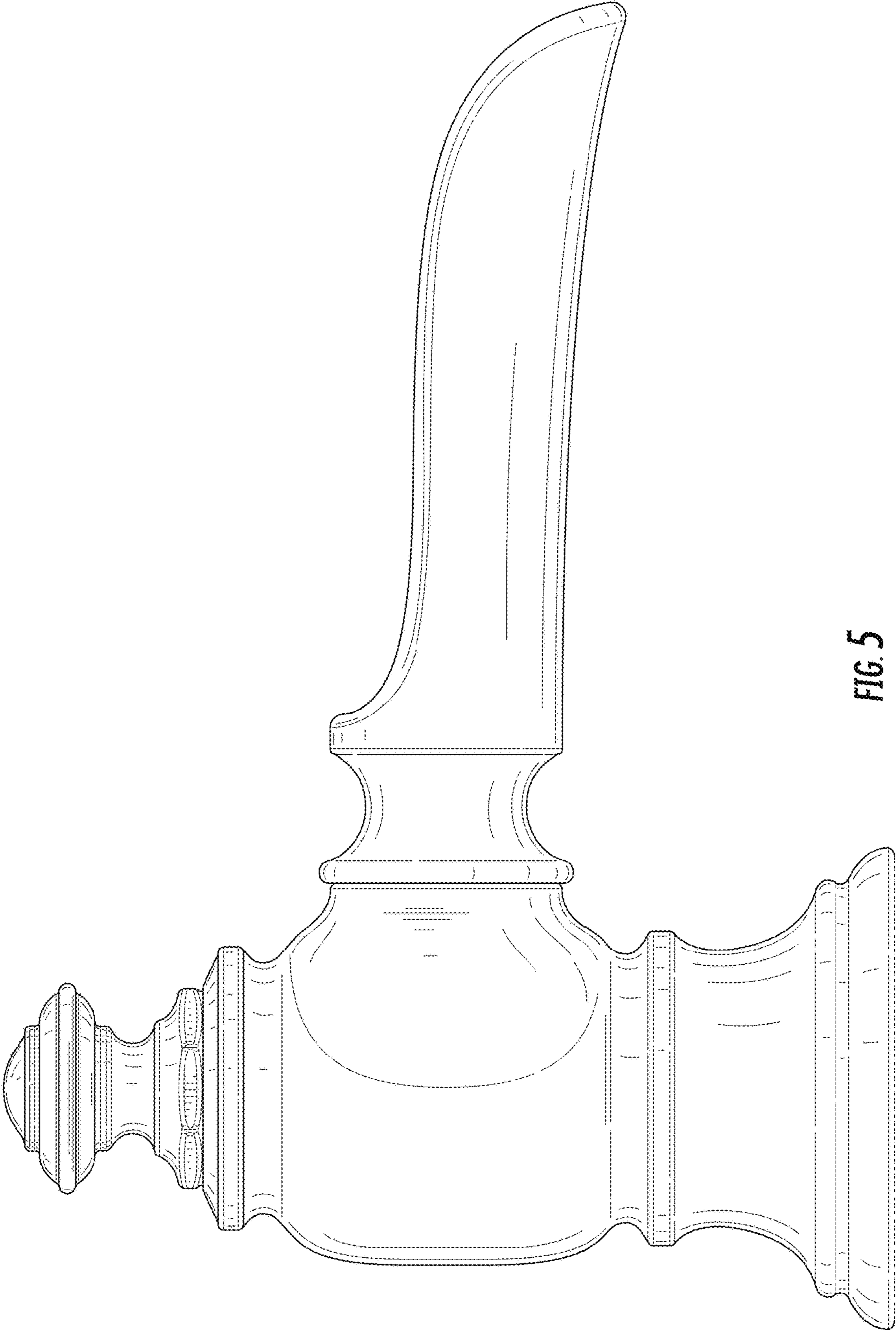


FIG. 5

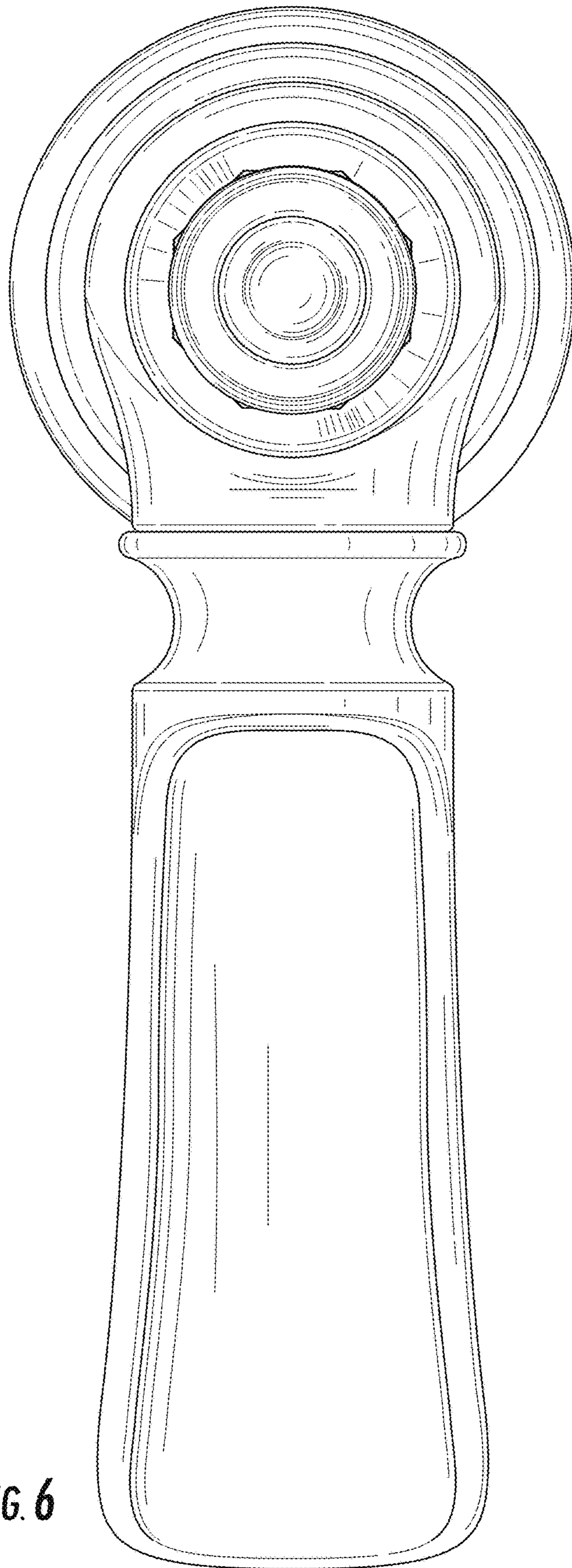


FIG. 6

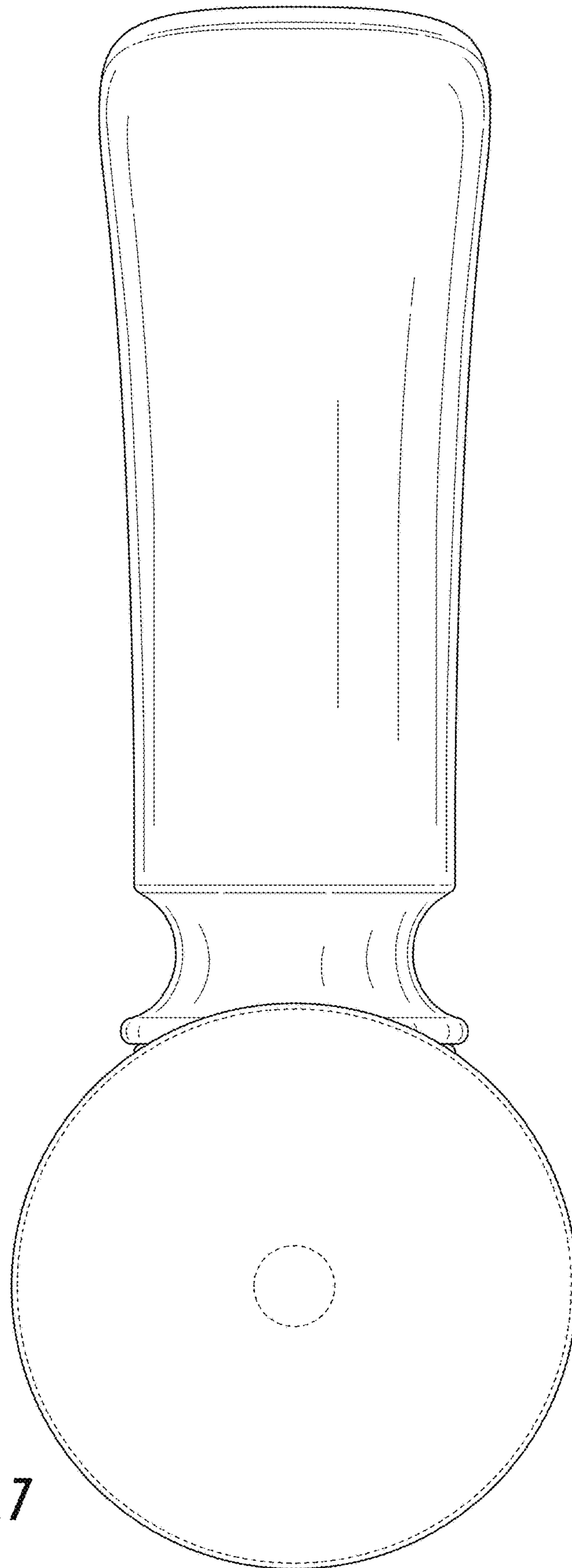


FIG. 7