



US00D827105S

(12) **United States Design Patent**
Garland

(10) **Patent No.:** **US D827,105 S**

(45) **Date of Patent:** **** Aug. 28, 2018**

(54) **VALVE**

(71) Applicant: **DELTA FAUCET COMPANY,**
Indianapolis, IN (US)

(72) Inventor: **Celine Kwok Garland,** Zionsville, IN
(US)

(73) Assignee: **DELTA FAUCET COMPANY,**
Indianapolis, IN (US)

(**) Term: **15 Years**

(21) Appl. No.: **29/634,184**

(22) Filed: **Jan. 18, 2018**

(51) **LOC (11) Cl.** **23-01**

(52) **U.S. Cl.**
USPC **D23/254; D23/253**

(58) **Field of Classification Search**
USPC D23/250, 254, 238-242, 249, 253;
D8/300, 308, 352-353, 312, 399
CPC Y10T 137/9464
See application file for complete search history.

(56) **References Cited**

U.S. PATENT DOCUMENTS

D76,995 S * 11/1928 Fraser D23/254
D321,629 S * 11/1991 Hollinger D23/253

D405,162 S * 2/1999 Doughty D23/250
D450,811 S * 11/2001 Gottwald D23/254
D484,037 S * 12/2003 Fleetwood F16B 39/10
D8/399
D538,403 S * 3/2007 Sallick D23/253
D542,385 S * 5/2007 Haug D23/254
D729,351 S * 5/2015 Fritz D23/253

* cited by examiner

Primary Examiner — Robert A Delehanty

(74) *Attorney, Agent, or Firm* — Edgar A. Zarins; Nirav
D. Parikh

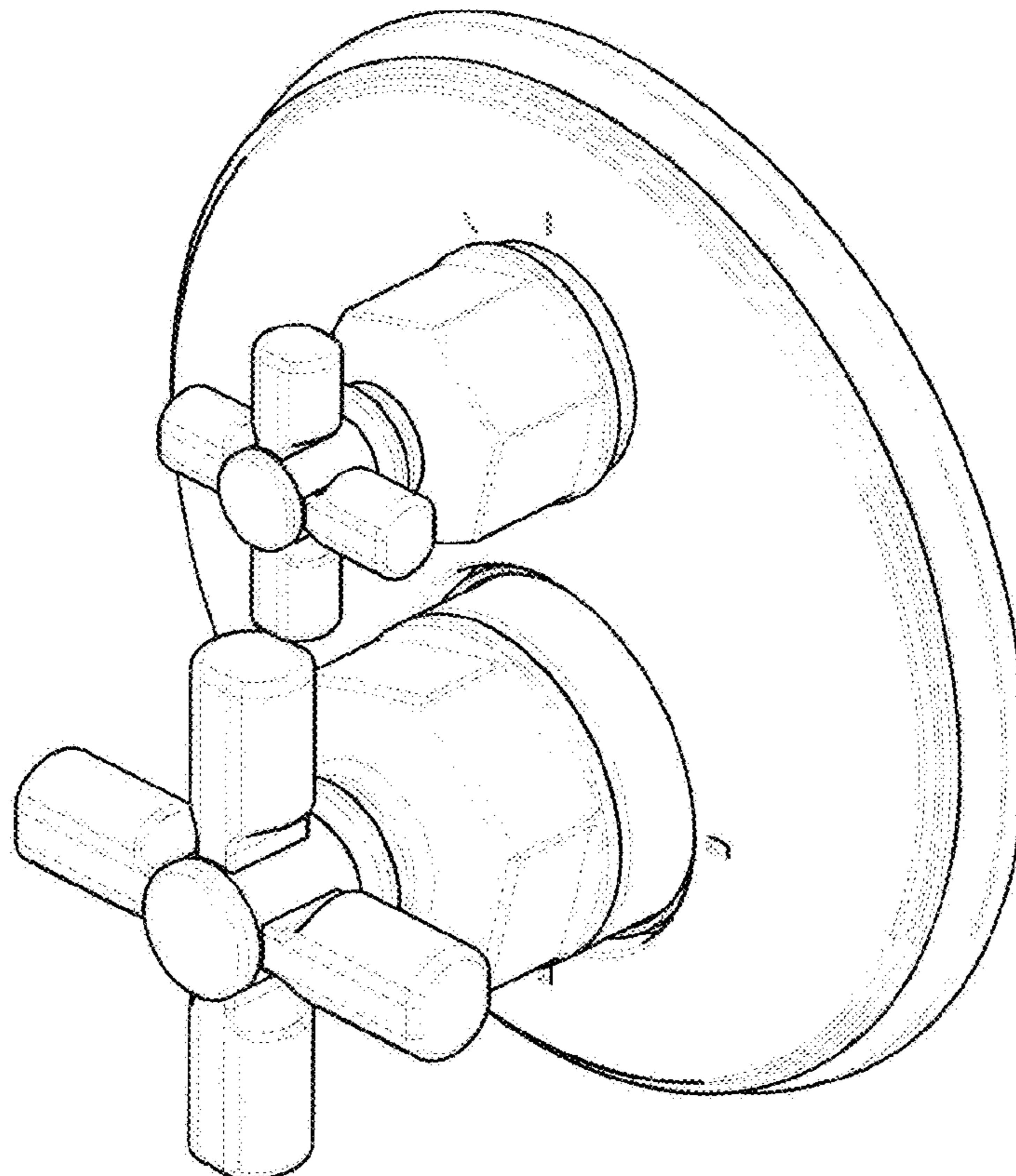
(57) **CLAIM**

The ornamental design for a valve, as shown and described.

DESCRIPTION

FIG. 1 is a front perspective view of a valve showing my new design;
FIG. 2 is a rear perspective view thereof;
FIG. 3 is a front elevational view thereof;
FIG. 4 is a left side view thereof;
FIG. 5 is a rear view thereof;
FIG. 6 is a right side view thereof;
FIG. 7 is a top plan view thereof; and,
FIG. 8 is a bottom view thereof.

1 Claim, 4 Drawing Sheets



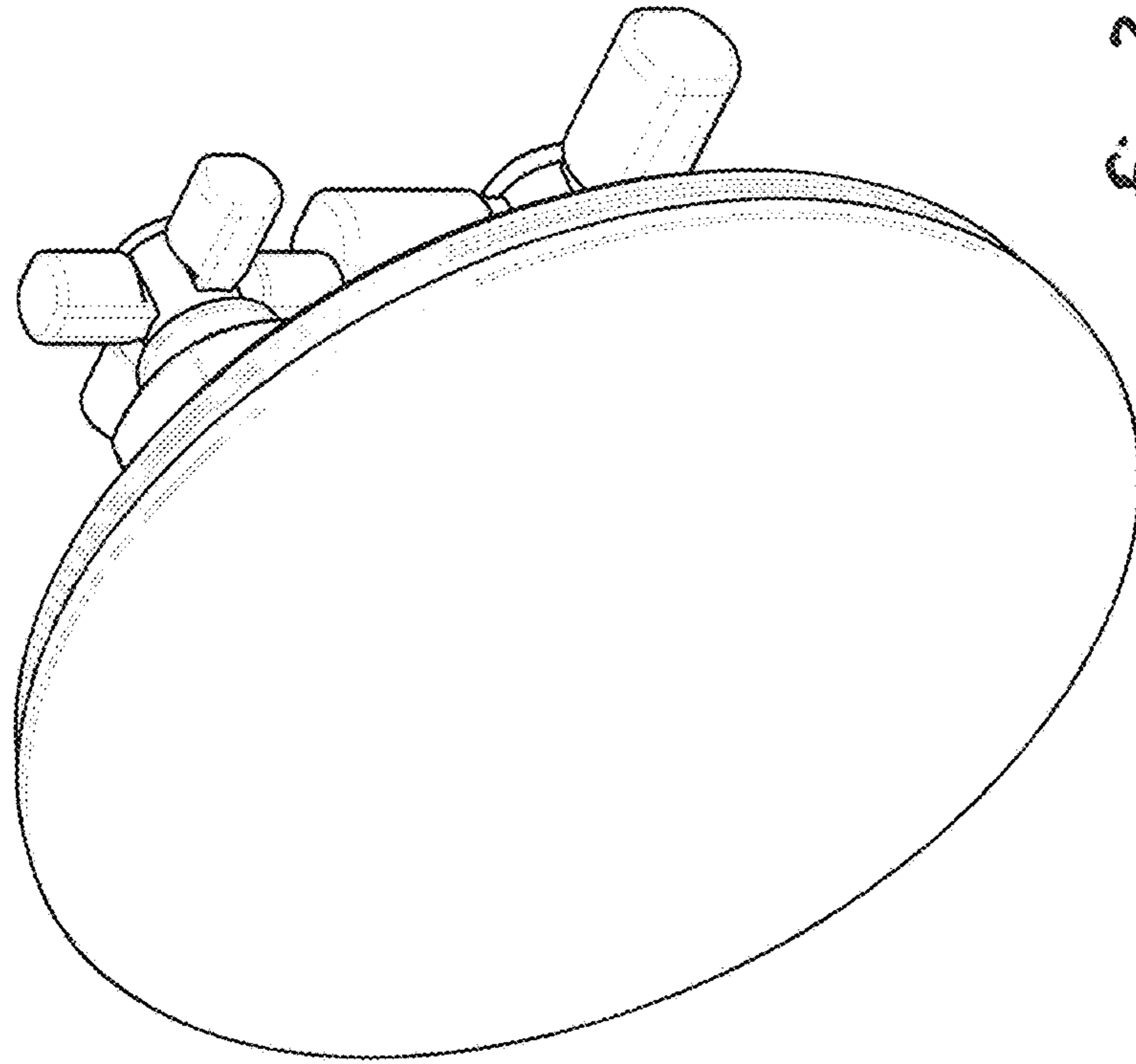


Fig. 2

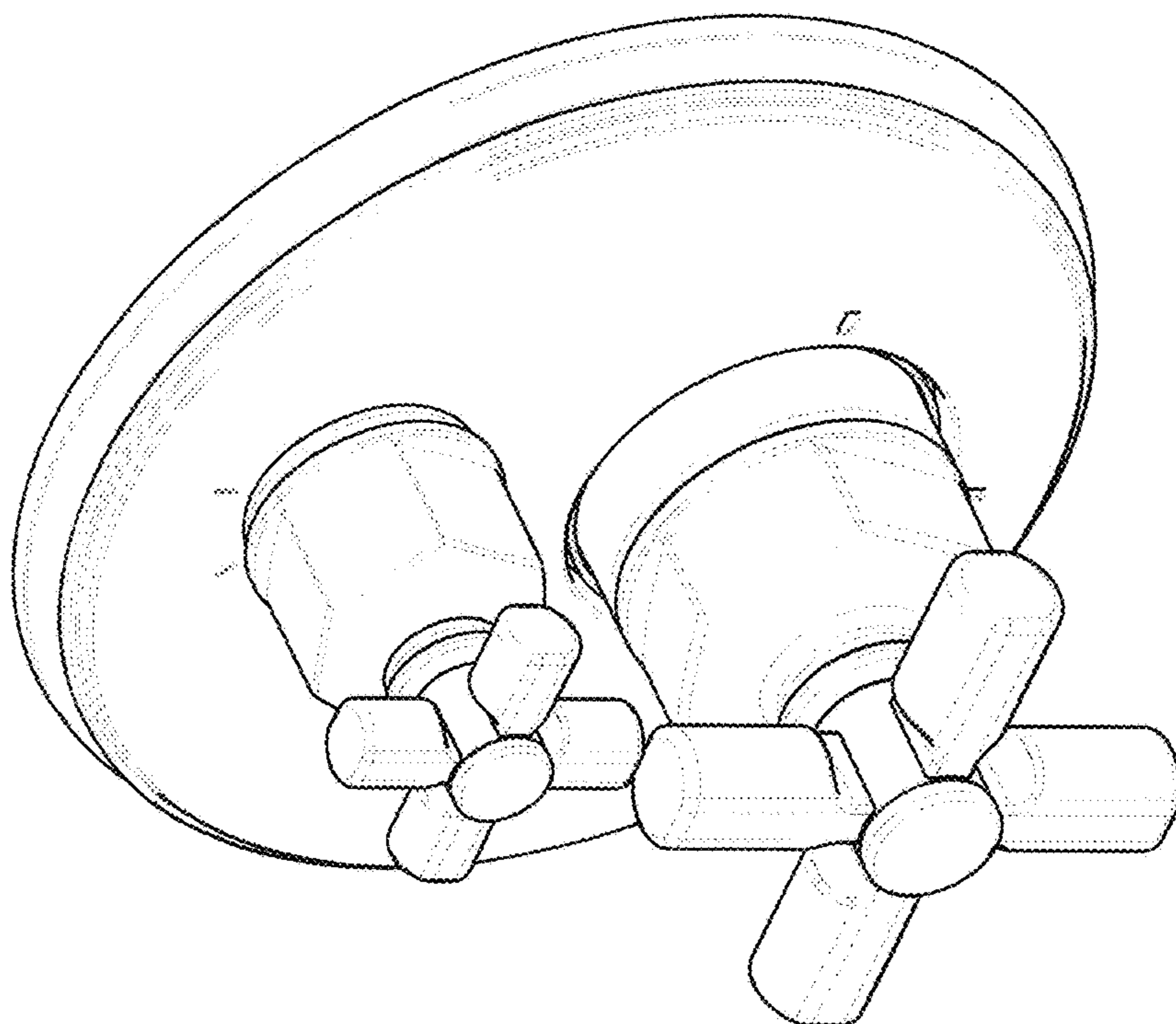


Fig. 1

Fig. 4

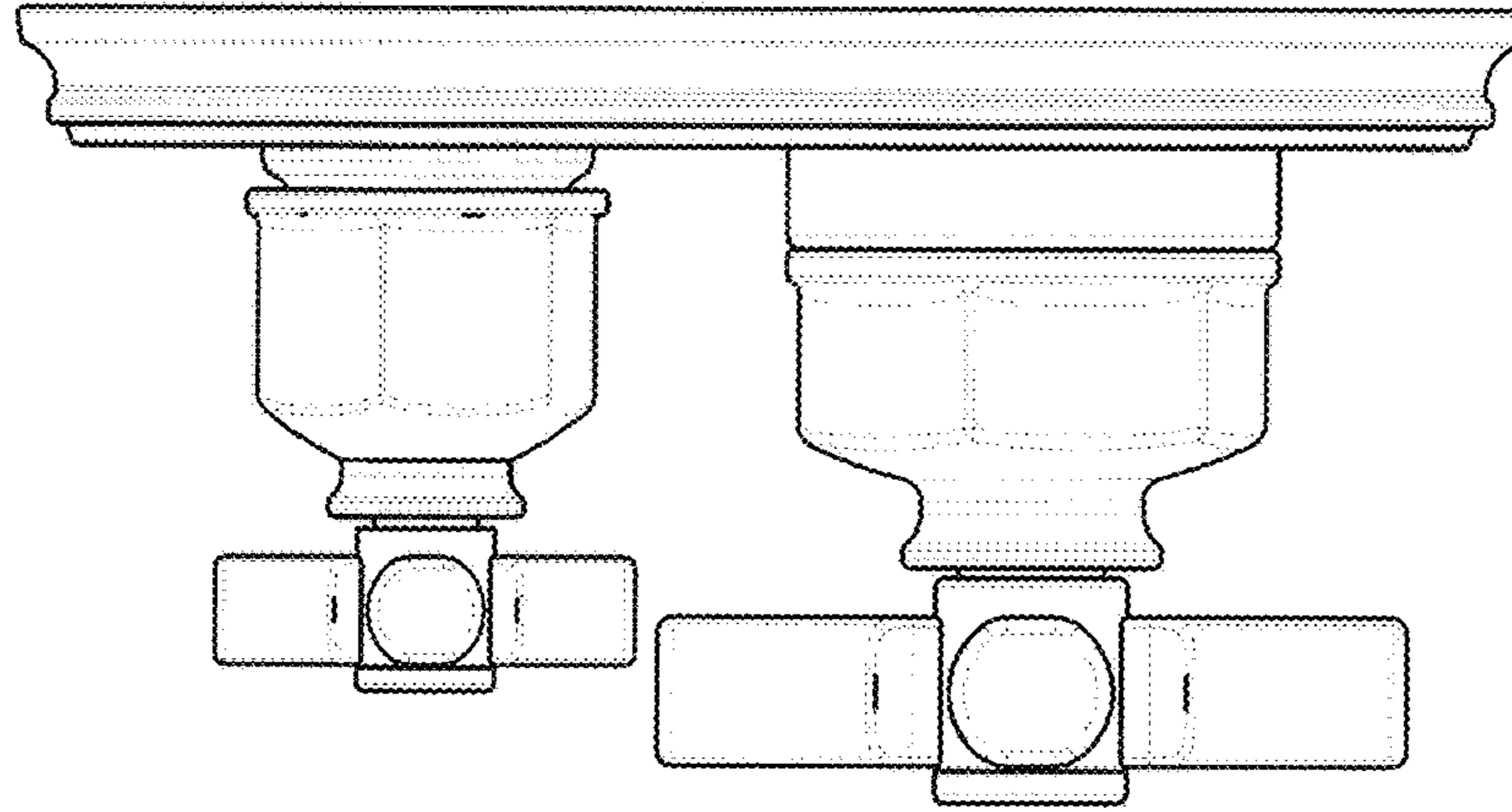
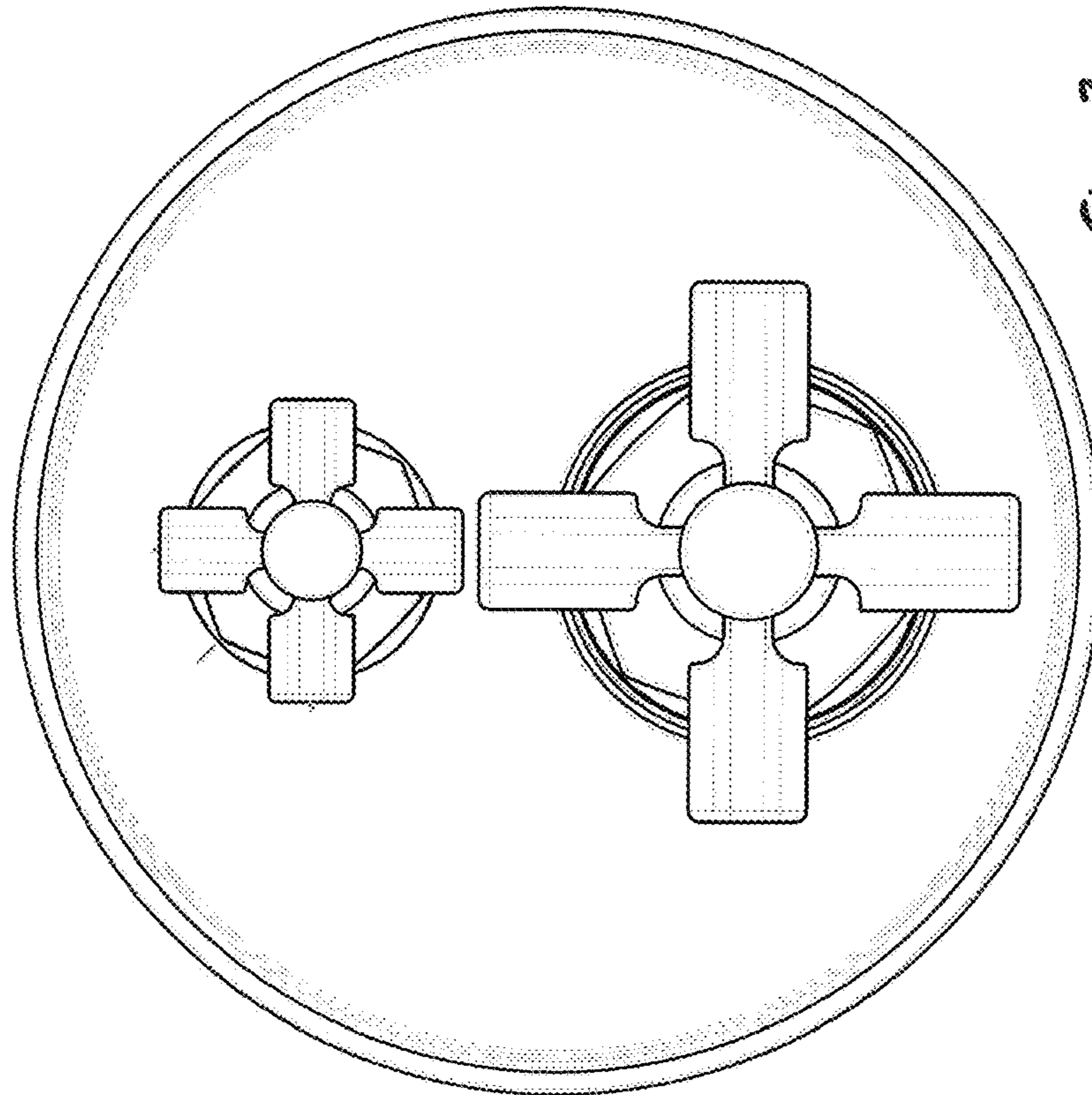


Fig. 3



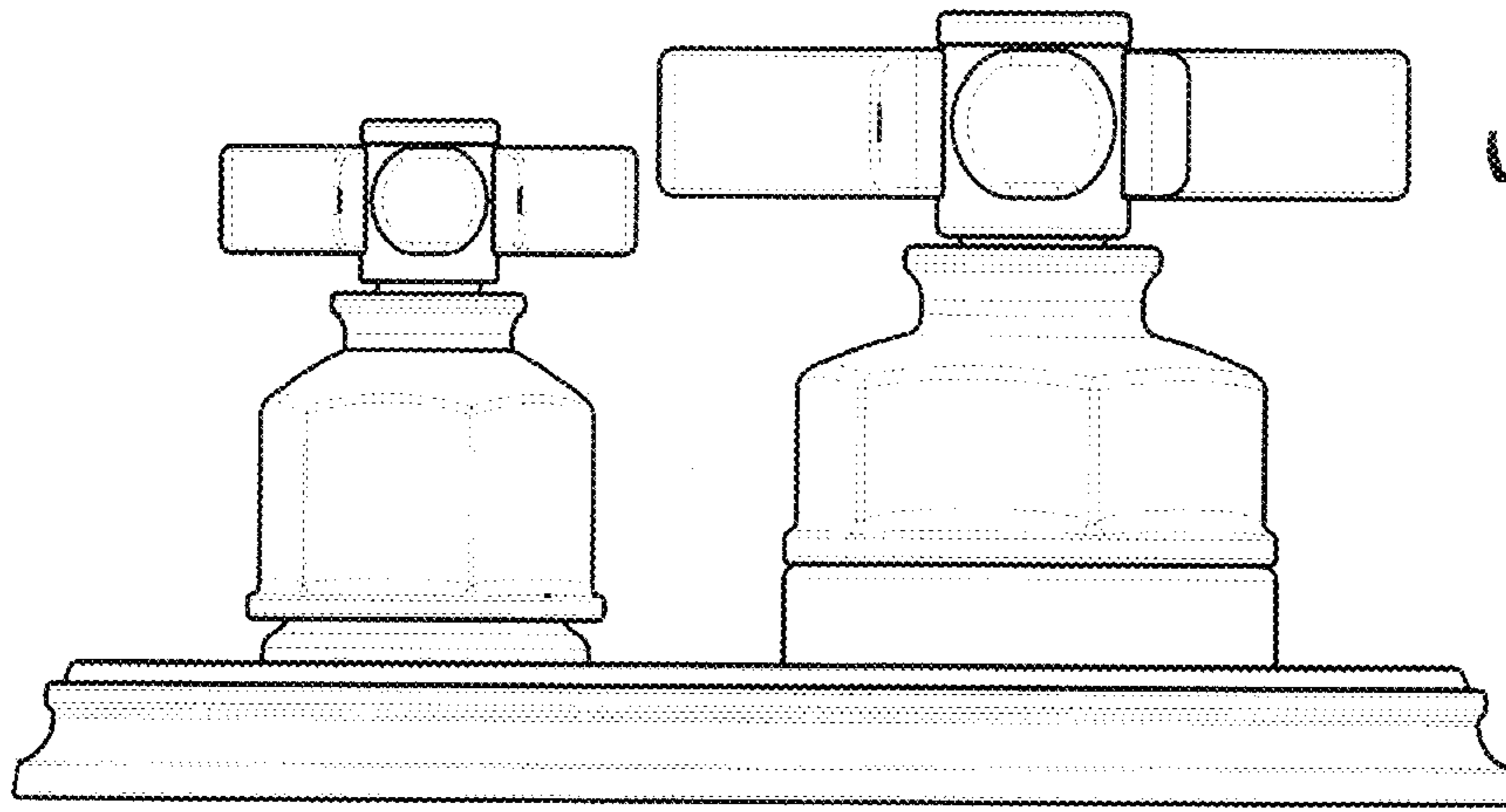


Fig. 6

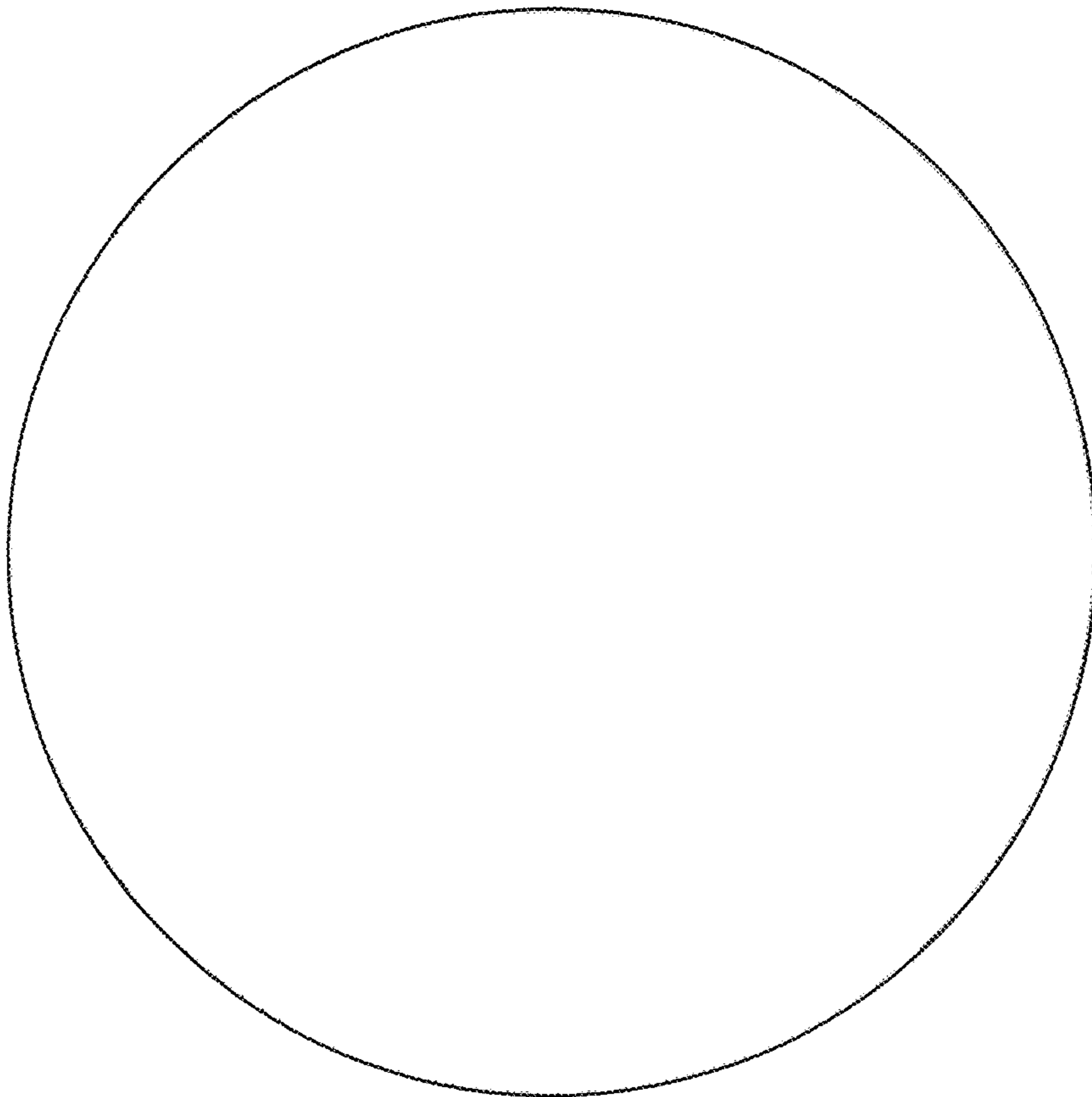


Fig. 5

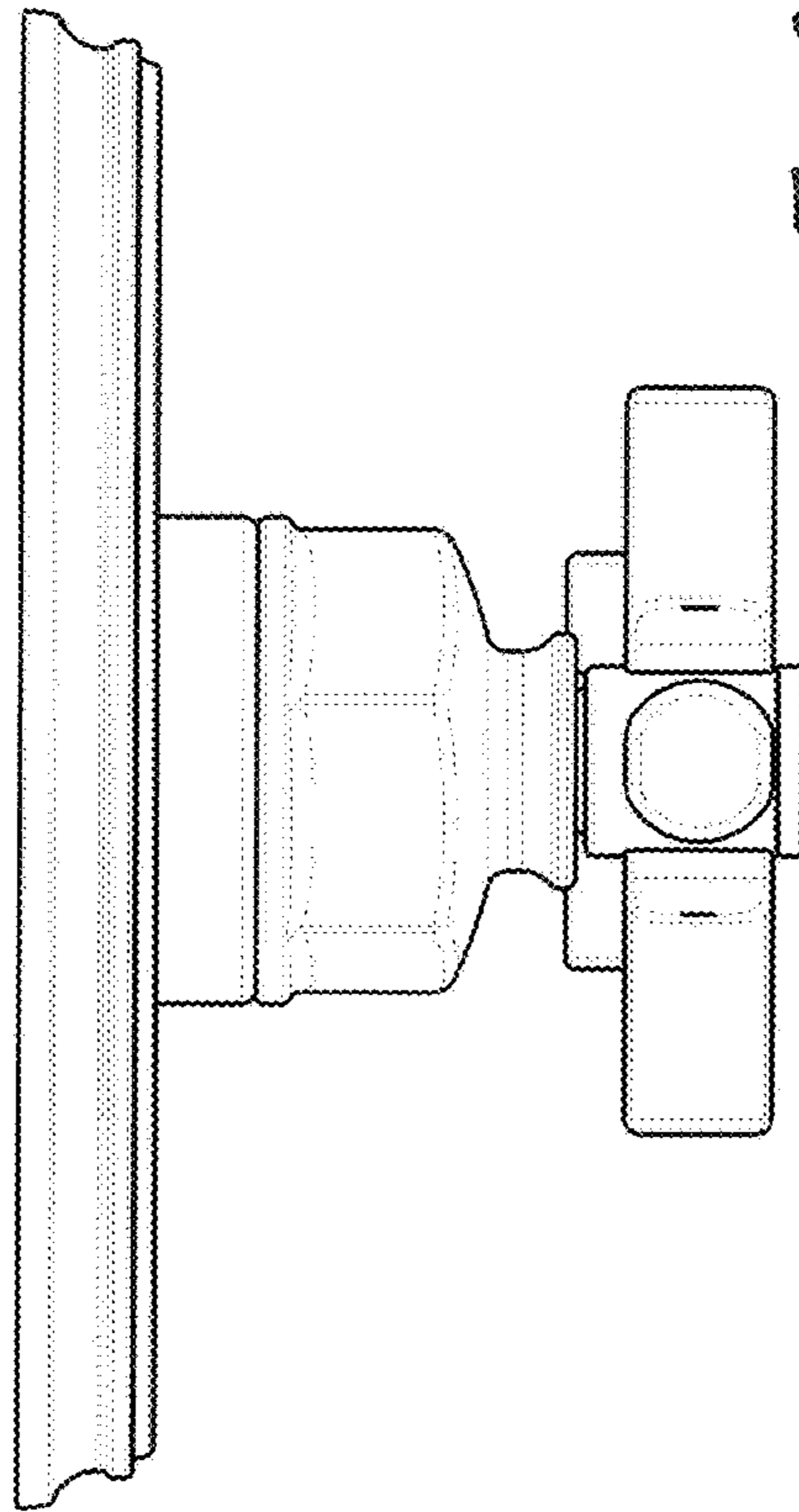


Fig. 8

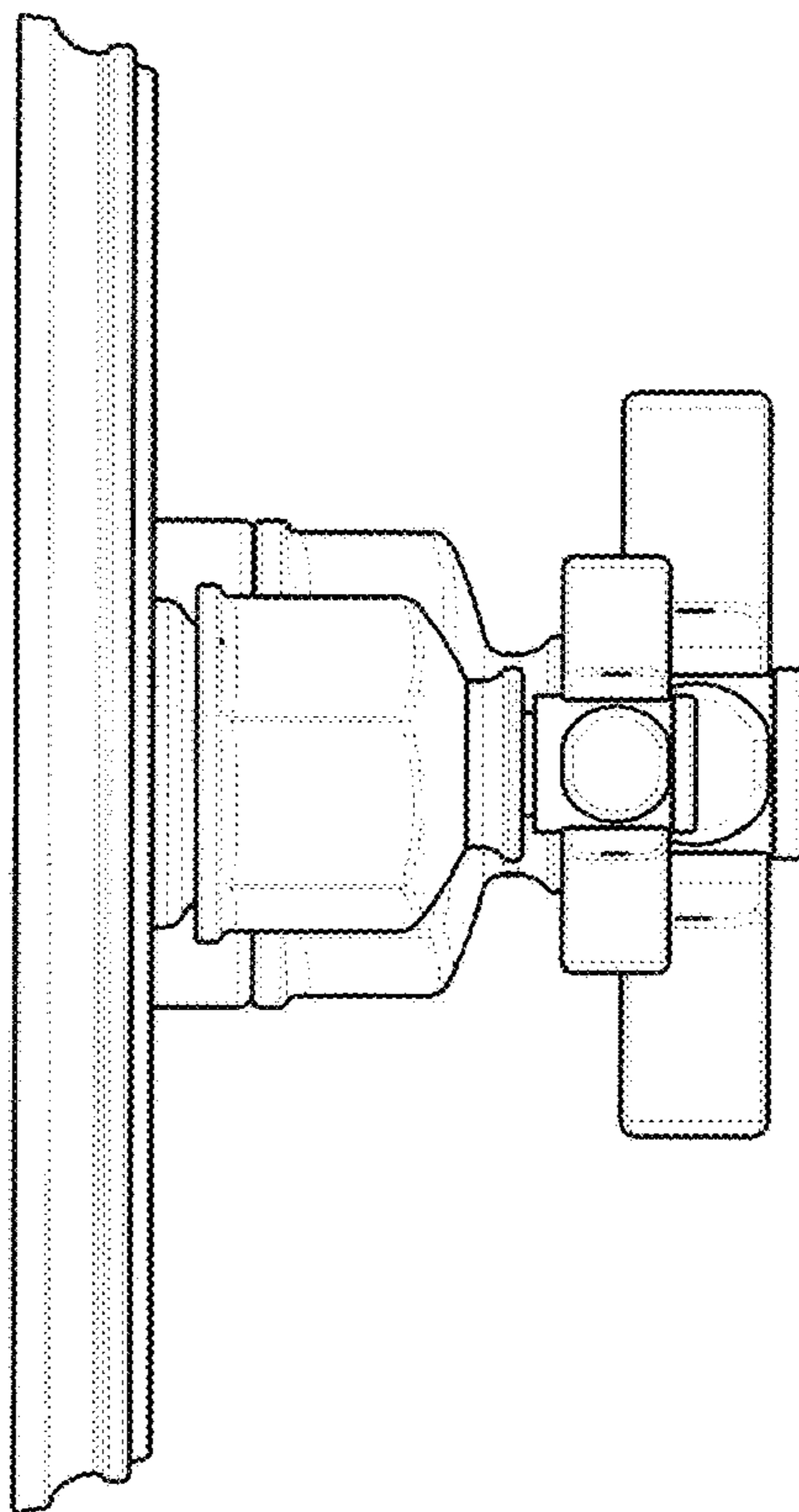


Fig. 7