



US00D827104S

(12) **United States Design Patent**  
**Spangler**

(10) **Patent No.:** **US D827,104 S**

(45) **Date of Patent:** **\*\* Aug. 28, 2018**

(54) **VALVE**

(71) Applicant: **DELTA FAUCET COMPANY,**  
Indianapolis, IN (US)

(72) Inventor: **Anthony G. Spangler,** Indianapolis, IN  
(US)

(73) Assignee: **DELTA FAUCET COMPANY,**  
Indianapolis, IN (US)

(\*\*) Term: **15 Years**

(21) Appl. No.: **29/632,395**

(22) Filed: **Jan. 8, 2018**

(51) **LOC (11) Cl.** ..... **23-01**

(52) **U.S. Cl.**  
USPC ..... **D23/254**

(58) **Field of Classification Search**  
USPC ..... D23/250, 254, 238-242, 249; D8/300,  
D8/308, 352-353, 312  
CPC ..... Y10T 137/9464  
See application file for complete search history.

(56) **References Cited**

**U.S. PATENT DOCUMENTS**

D574,061 S \* 7/2008 Rexach ..... D23/254  
D676,116 S \* 2/2013 Lord ..... D23/252

D789,492 S \* 6/2017 Dube ..... D23/254  
D789,495 S \* 6/2017 Dube ..... D23/252  
D799,645 S \* 10/2017 Eads ..... D23/254  
D811,549 S \* 2/2018 Garland ..... D23/254

\* cited by examiner

*Primary Examiner* — Robert A Delehanty

(74) *Attorney, Agent, or Firm* — Edgar A. Zarins; Nirav  
D. Parikh

(57) **CLAIM**

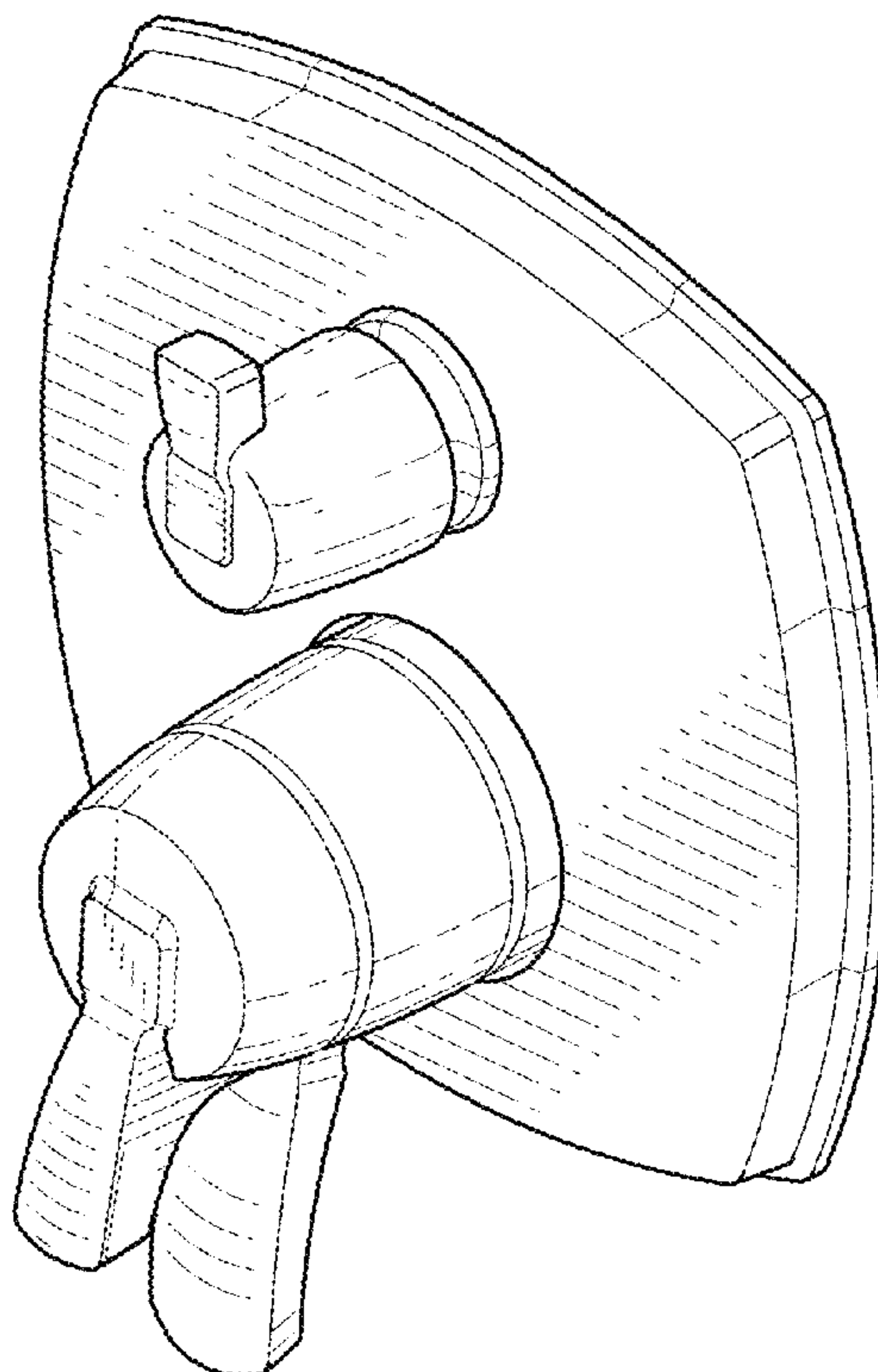
The ornamental design for a valve, as shown and described.

**DESCRIPTION**

FIG. 1 is a perspective view of a valve showing my new design;  
FIG. 2 is a top plan view thereof;  
FIG. 3 is a front elevational view thereof;  
FIG. 4 is a bottom view thereof;  
FIG. 5 is a right side view thereof, the opposite side being  
a mirror image of the side shown; and,  
FIG. 6 is a rear view thereof.

The broken line showing a hole on the rear side of the valve  
is included for the purpose of illustrating a portion thereof  
and forms no part of the claimed design.

**1 Claim, 3 Drawing Sheets**



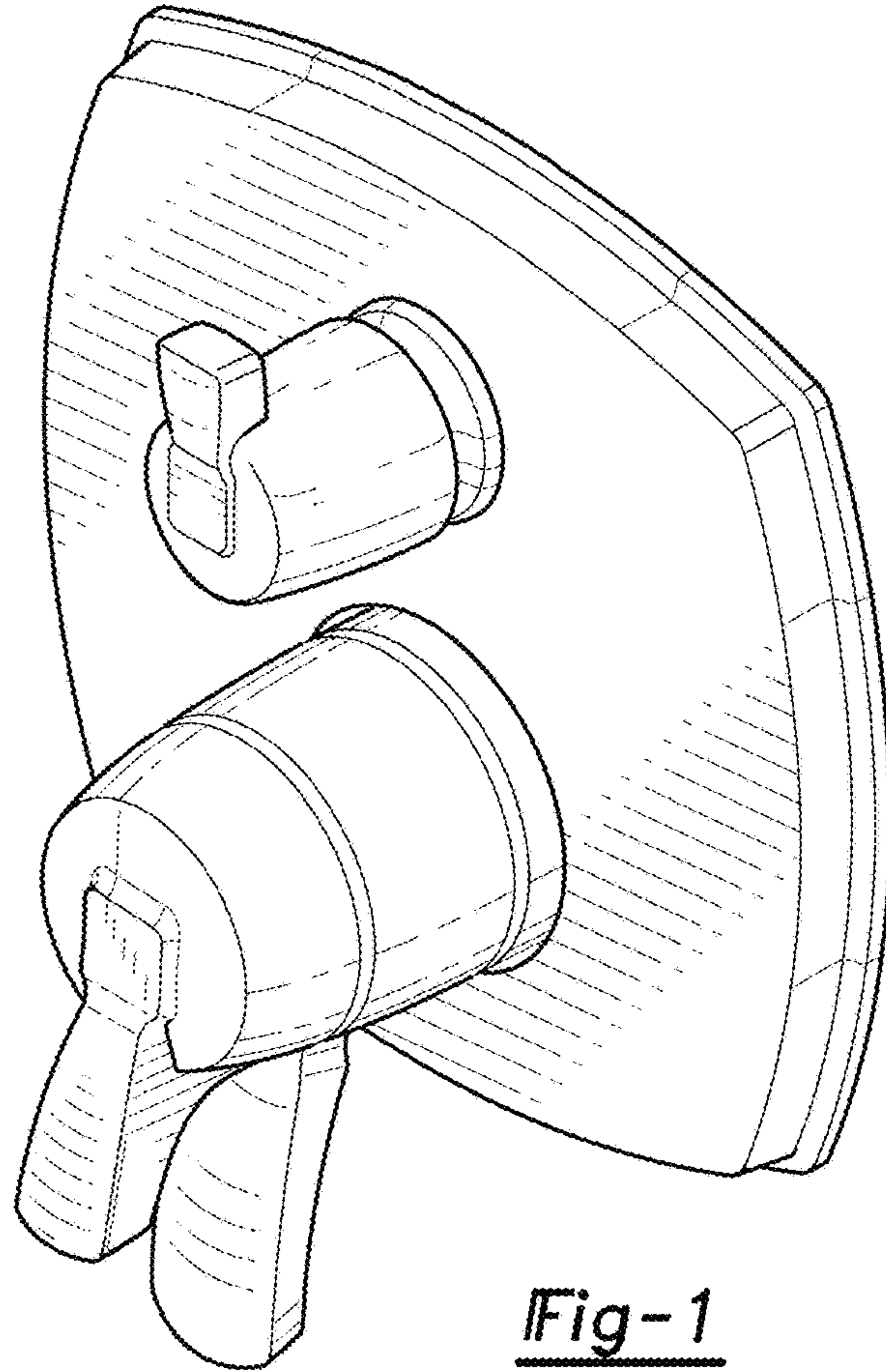


Fig-1

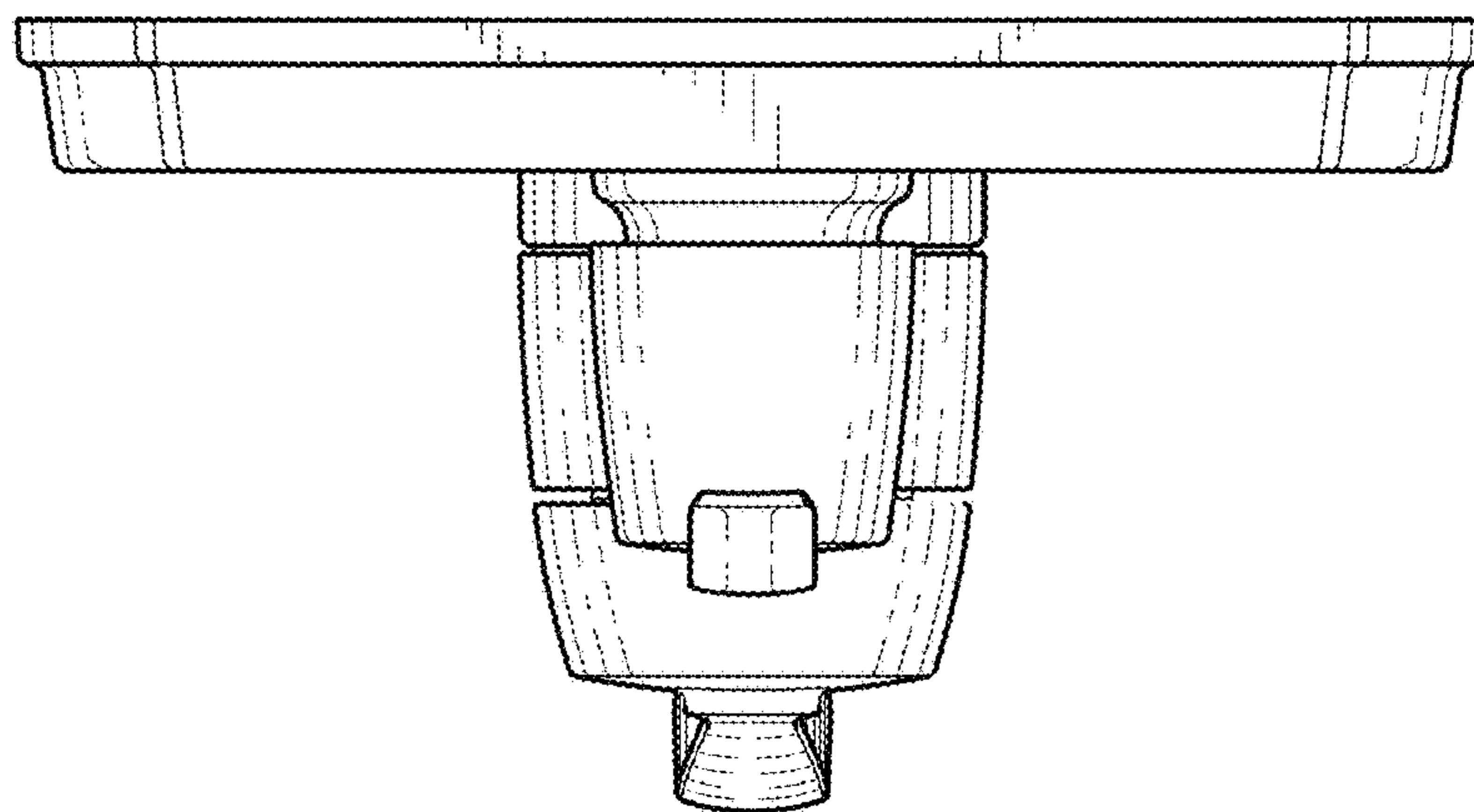


Fig-2

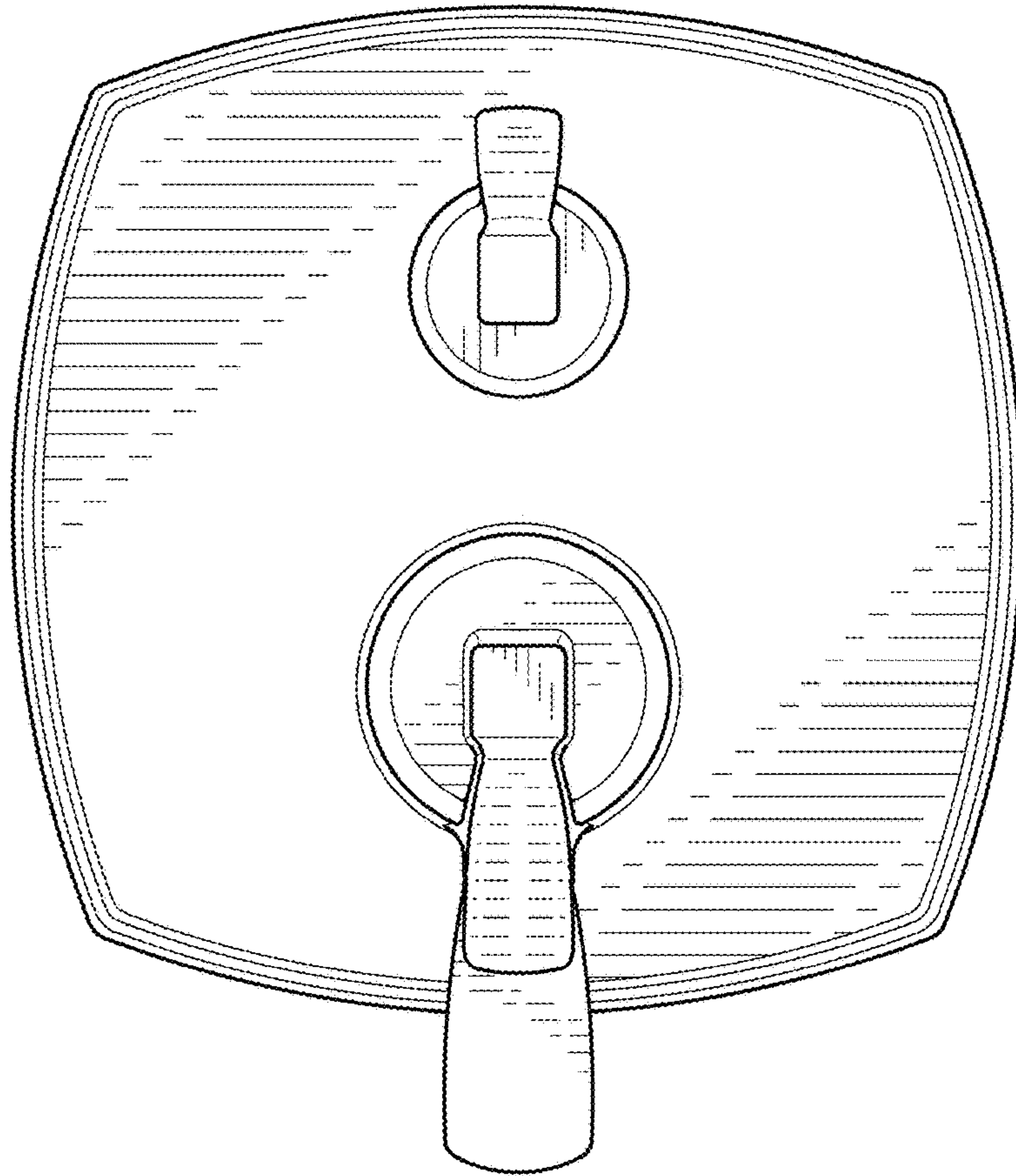


Fig-3

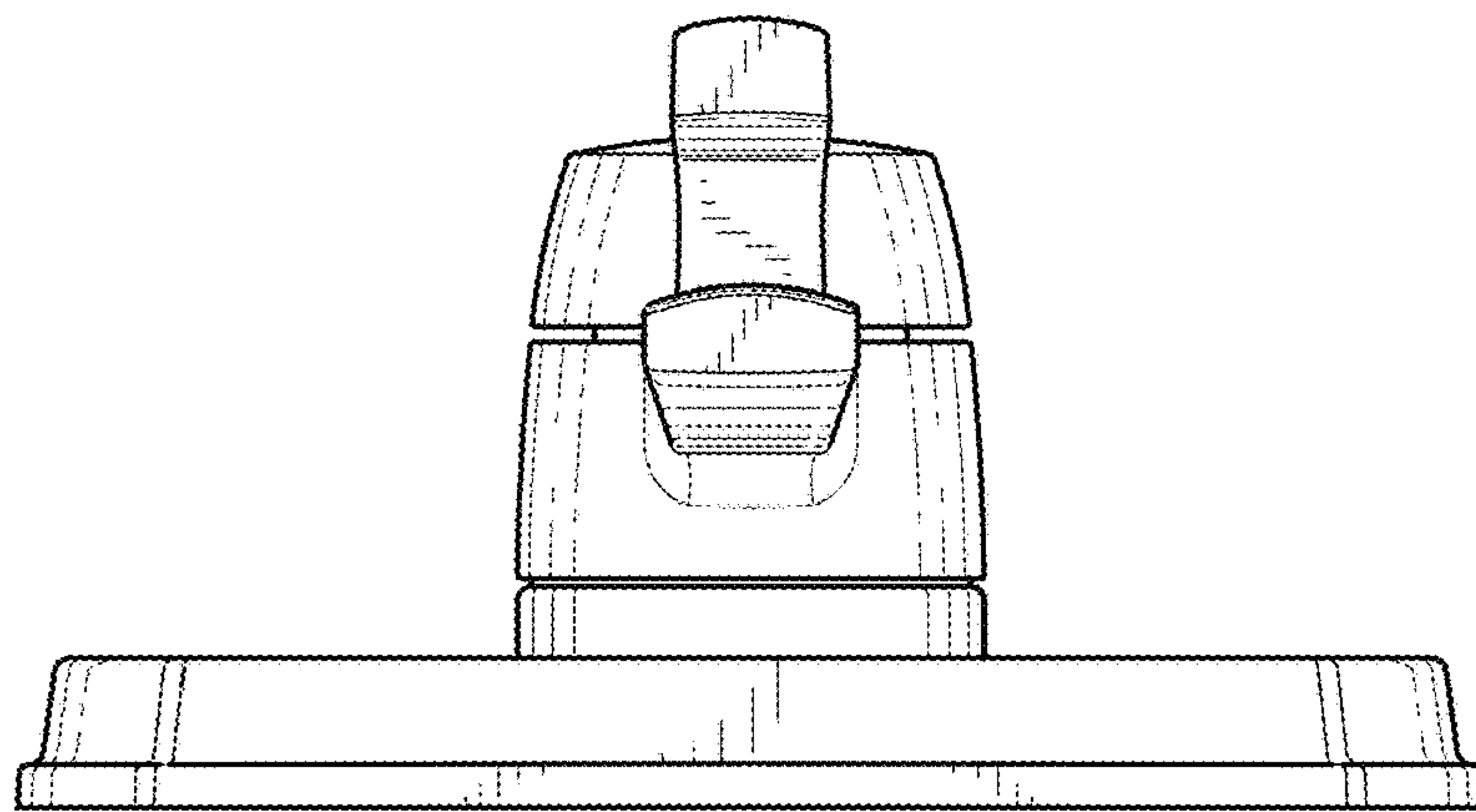


Fig-4

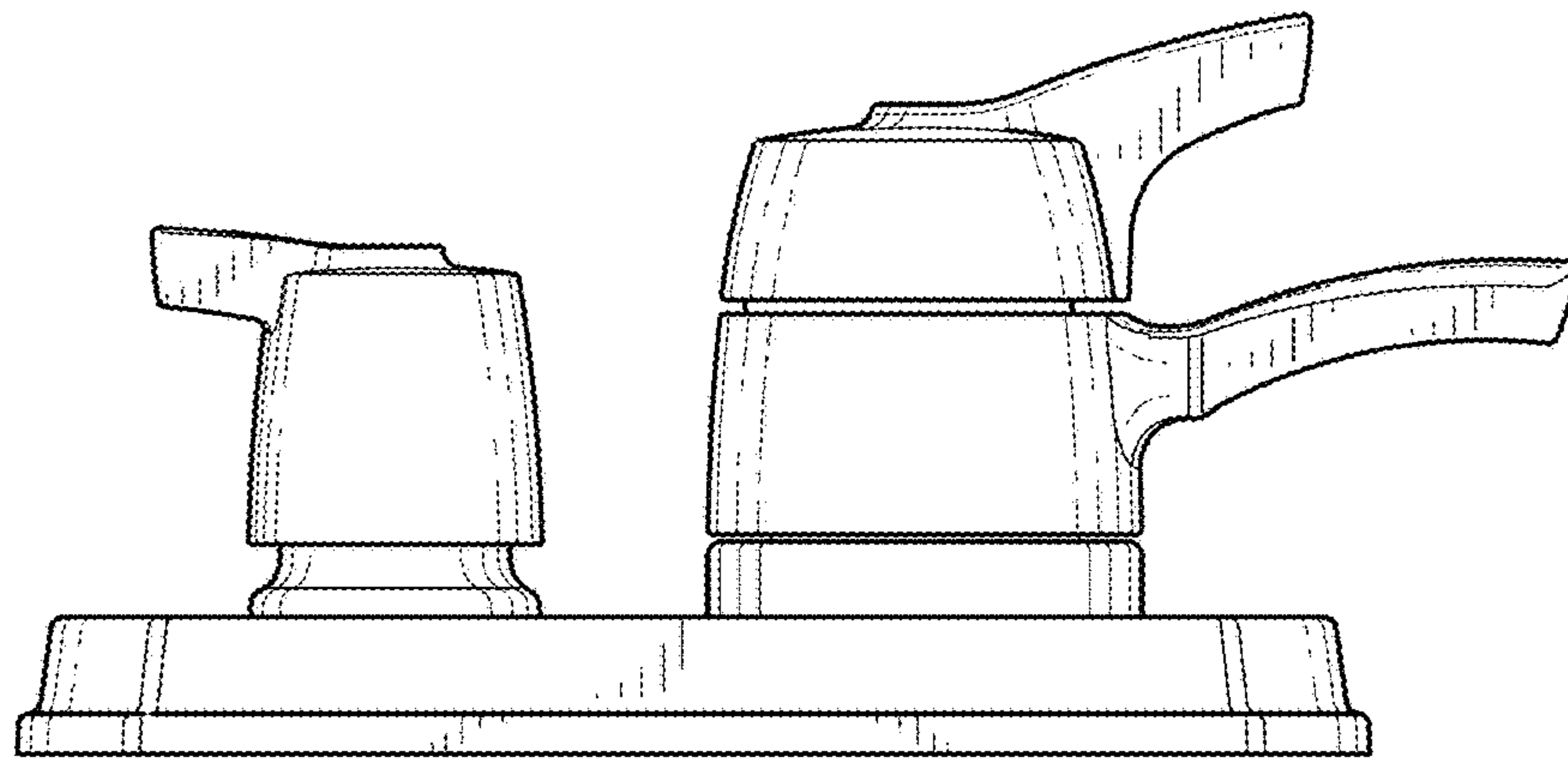


Fig-5

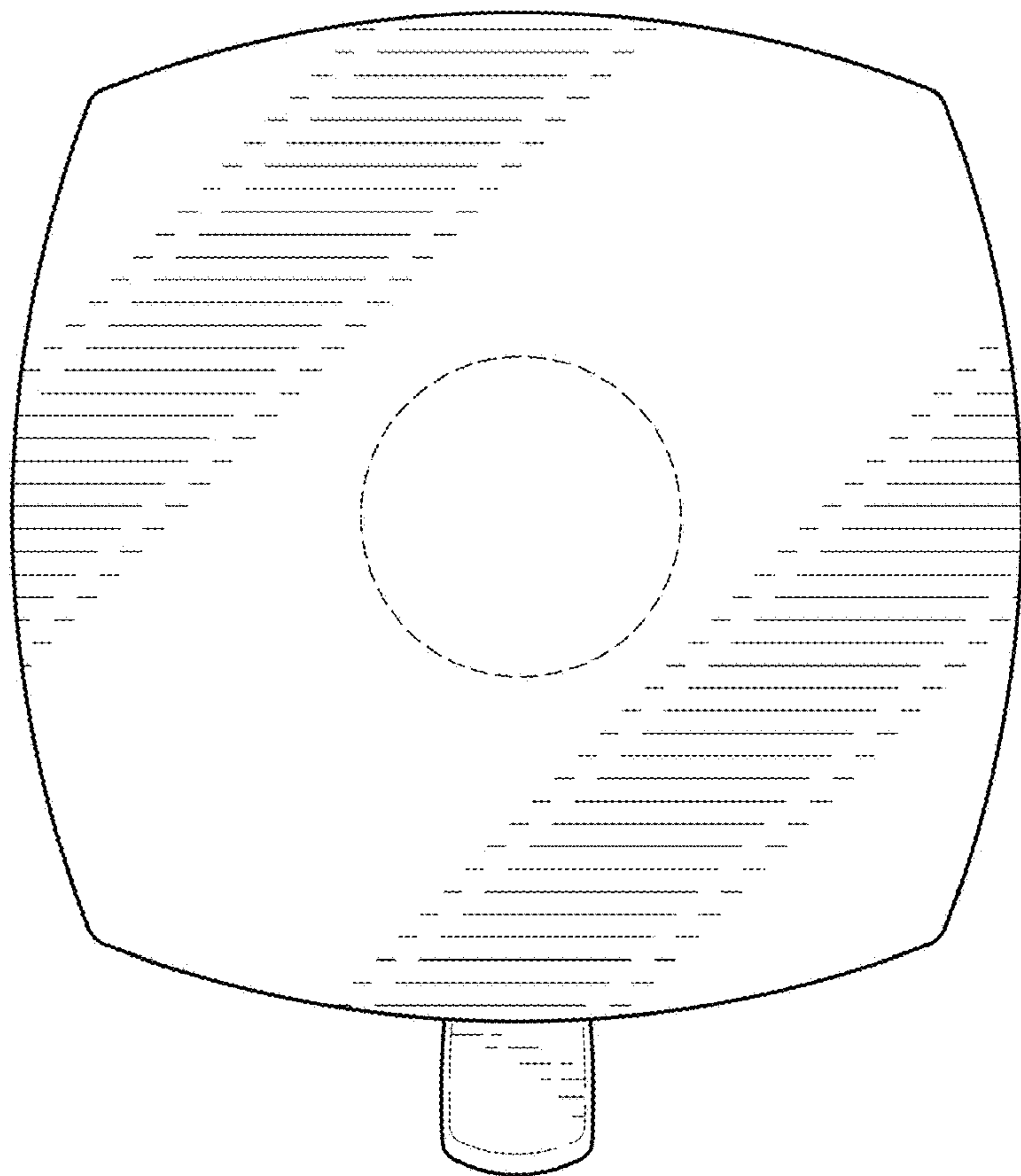


Fig-6