



US00D827101S

(12) **United States Design Patent**  
**Spangler**

(10) **Patent No.:** **US D827,101 S**

(45) **Date of Patent:** **\*\* Aug. 28, 2018**

(54) **VALVE**

D789,492 S \* 6/2017 Dube ..... D23/254  
D789,495 S \* 6/2017 Dube ..... D23/252  
D797,896 S \* 9/2017 Eads ..... D23/252  
D811,549 S \* 2/2018 Garland ..... D23/254

(71) Applicant: **DELTA FAUCET COMPANY,**  
Indianapolis, IN (US)

(72) Inventor: **Anthony G. Spangler,** Indianapolis, IN  
(US)

(73) Assignee: **DELTA FAUCET COMPANY,**  
Indianapolis, IN (US)

\* cited by examiner

*Primary Examiner* — Robert A Delehanty

(74) *Attorney, Agent, or Firm* — Edgar A. Zarins; Nirav  
D. Parikh

(\*\*) Term: **15 Years**

(57) **CLAIM**

(21) Appl. No.: **29/630,226**

The ornamental design for a valve, as shown and described.

(22) Filed: **Dec. 20, 2017**

(51) **LOC (11) Cl.** ..... **23-01**

(52) **U.S. Cl.**  
USPC ..... **D23/254**

(58) **Field of Classification Search**  
USPC ..... D23/250, 254, 238–242, 249; D8/300,  
D8/308, 352–353, 312  
CPC ..... Y10T 137/9464  
See application file for complete search history.

**DESCRIPTION**

FIG. 1 is a perspective view of a valve showing my new design;  
FIG. 2 is a top plan view thereof;  
FIG. 3 is a front elevational view thereof;  
FIG. 4 is a rear view thereof;  
FIG. 5 is a right side view thereof, the opposite side being  
a mirror image of the side shown; and,  
FIG. 6 is a bottom view thereof.

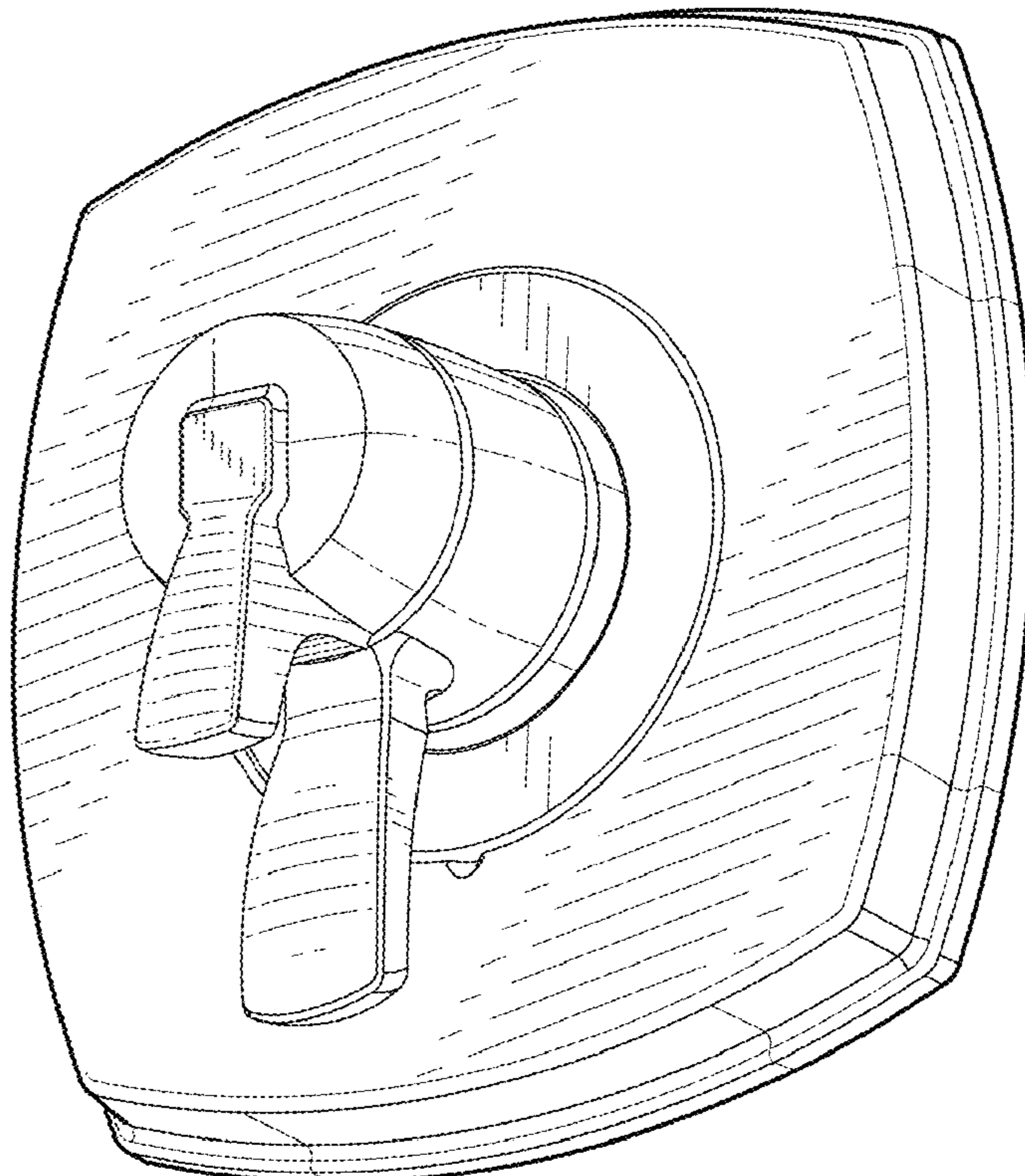
The broken-line disclosure in the view represents a portion  
of the valve in which the claimed design is embodied, but  
which forms no part of the claimed design.

(56) **References Cited**

**U.S. PATENT DOCUMENTS**

D574,061 S \* 7/2008 Rexach ..... D23/254  
D676,116 S \* 2/2013 Lord ..... D23/252

**1 Claim, 3 Drawing Sheets**



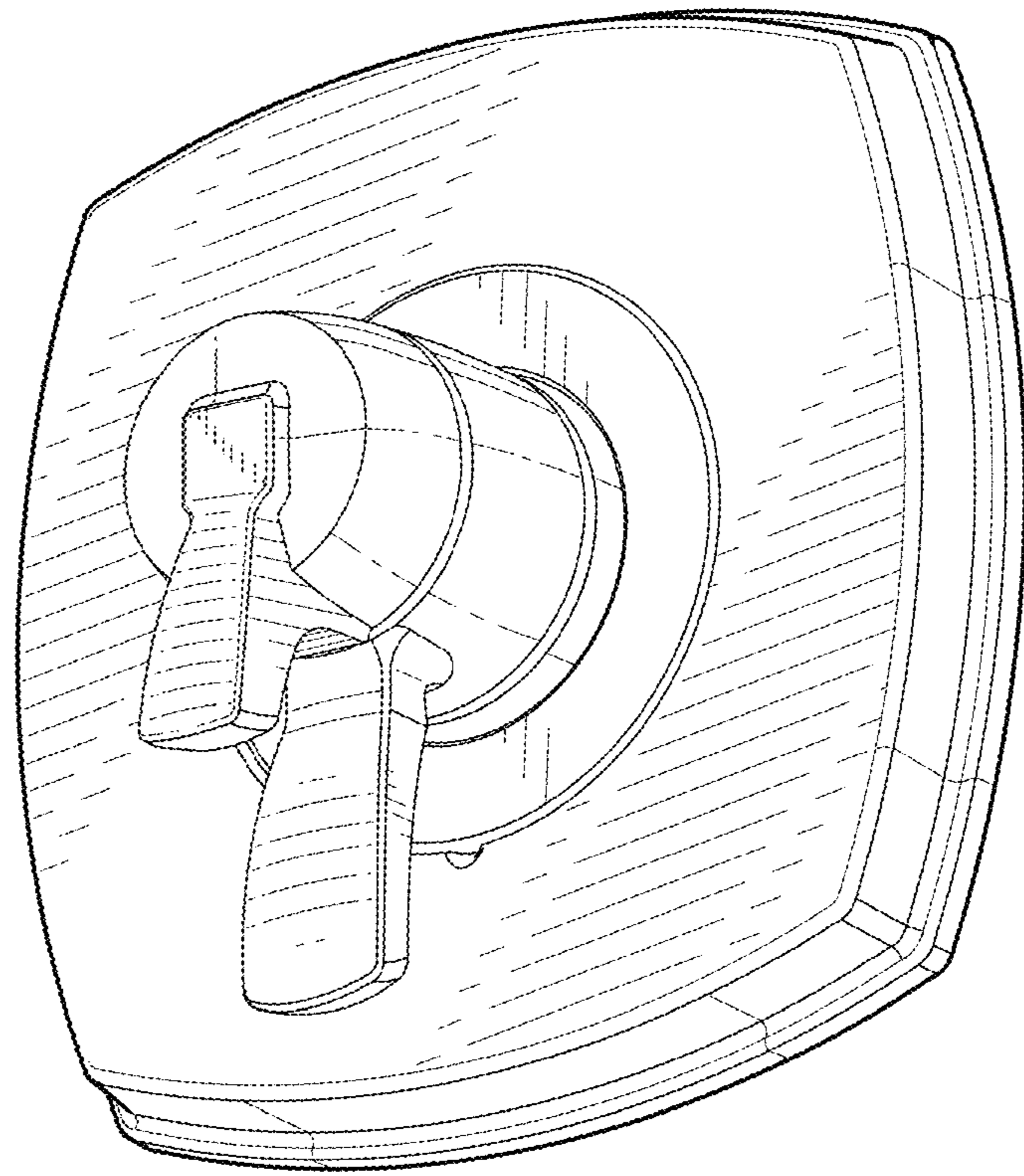


Fig-1

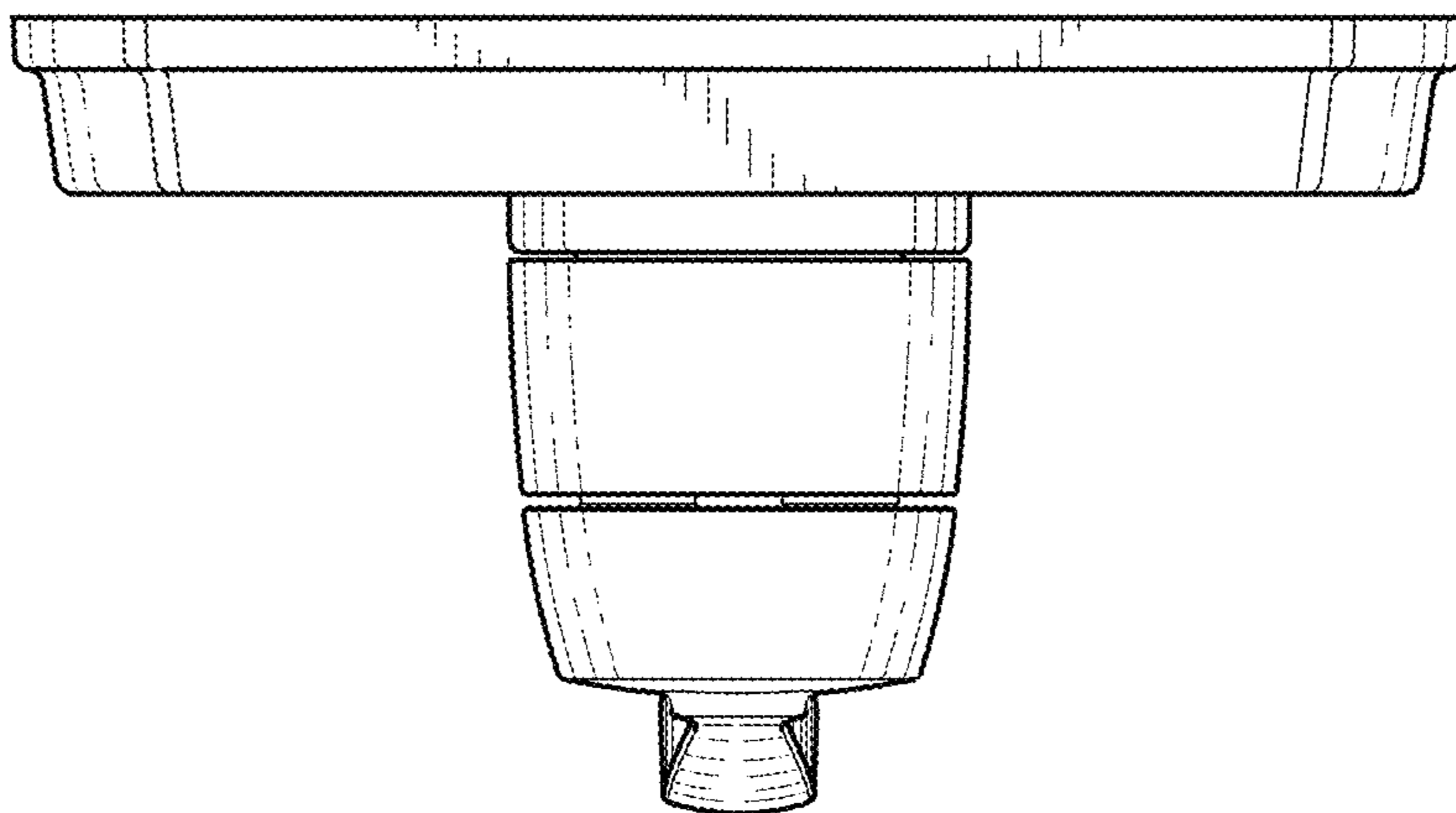


Fig-2

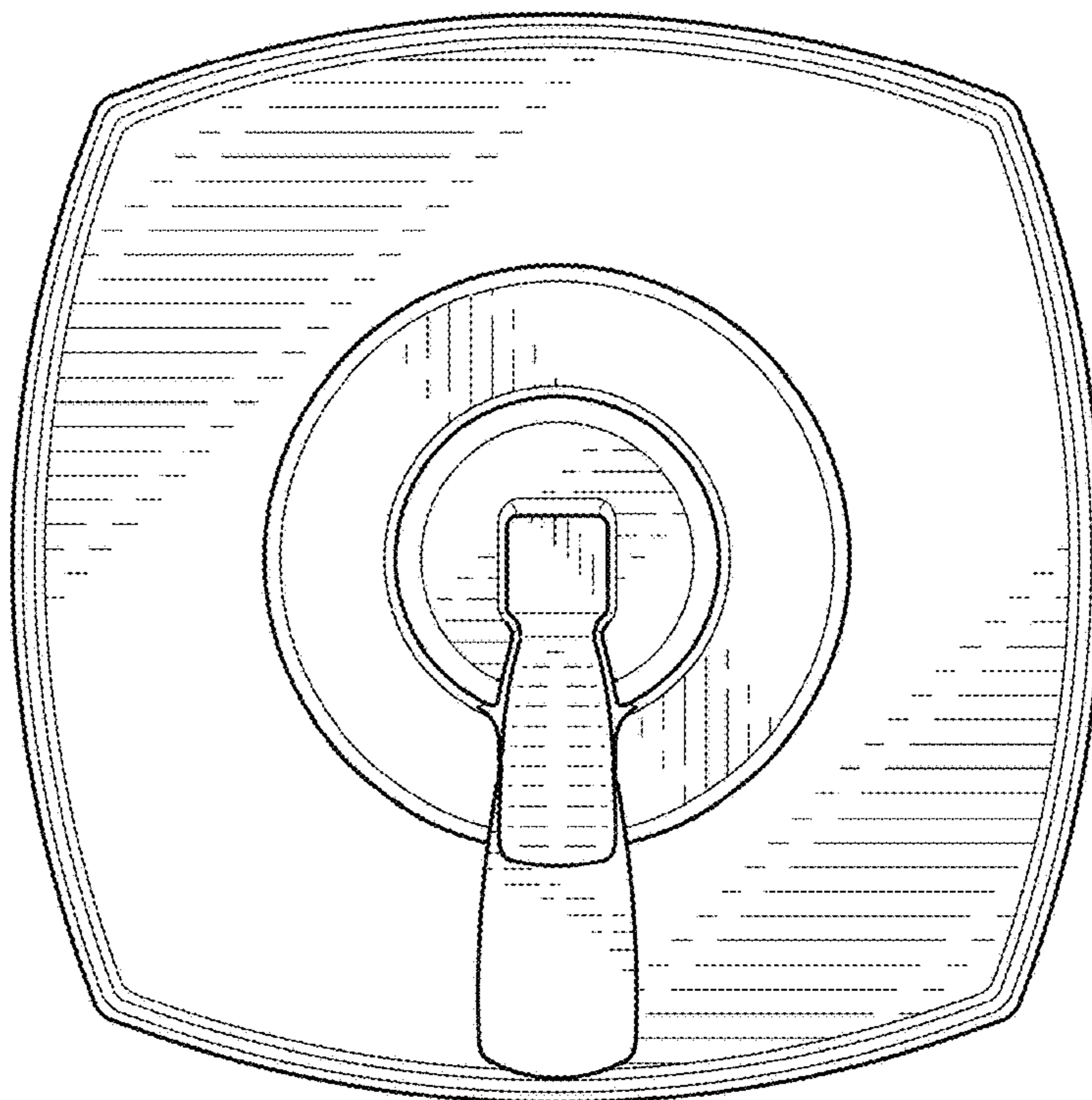


Fig-3

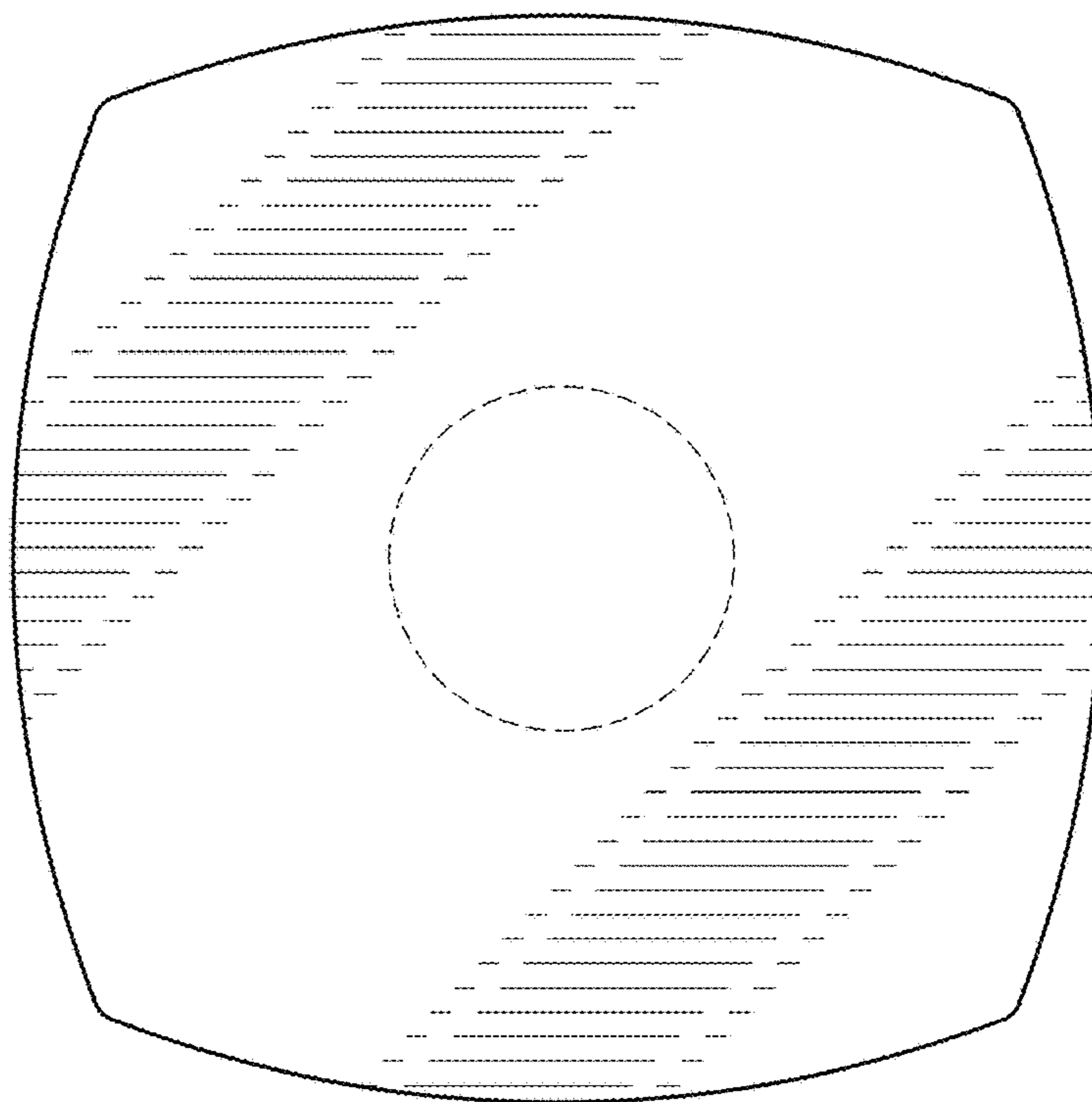


Fig-4

Fig-5

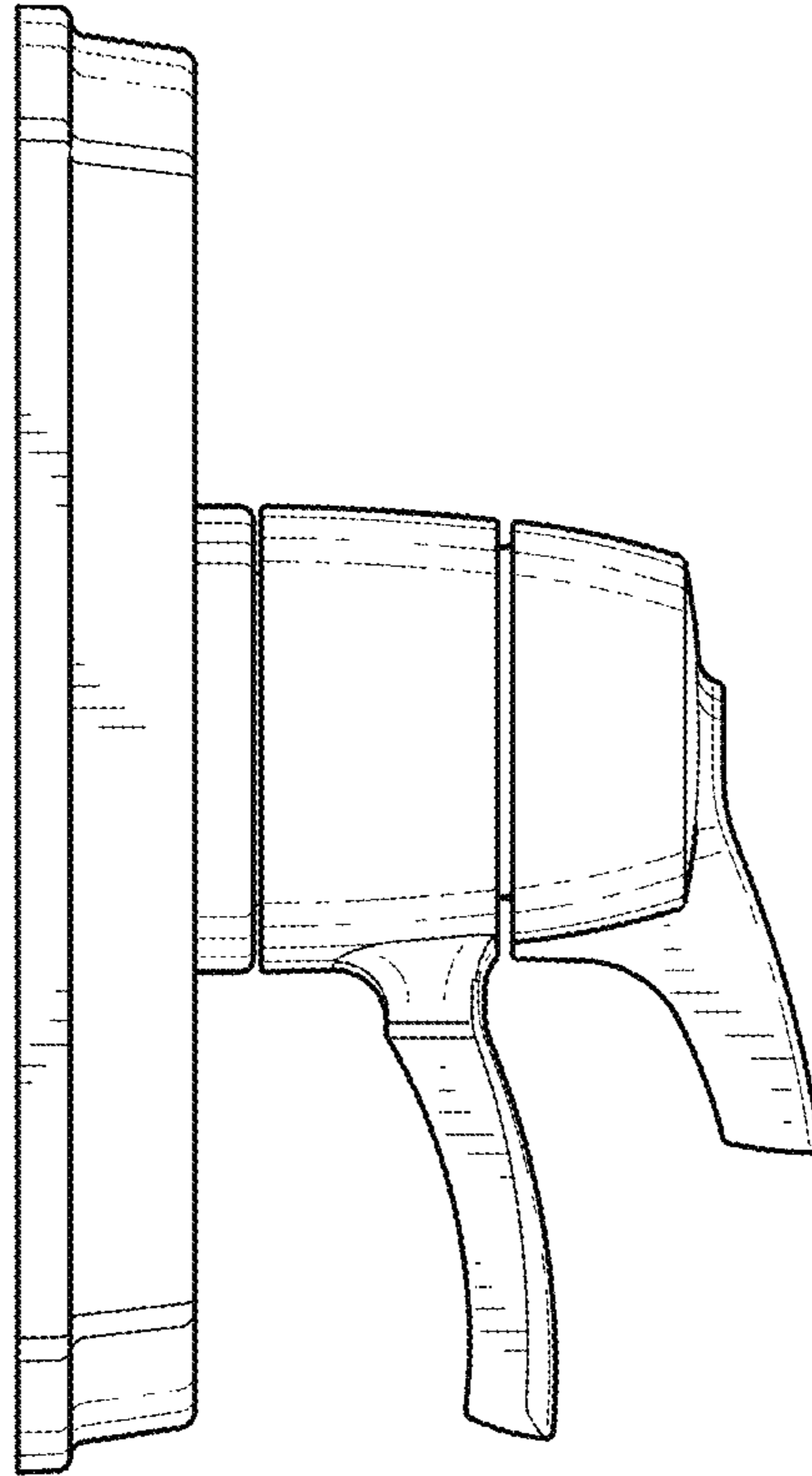


Fig-6

