



US00D827100S

(12) **United States Design Patent**
Spangler

(10) **Patent No.:** **US D827,100 S**

(45) **Date of Patent:** **** Aug. 28, 2018**

(54) **FAUCET HANDLE**

D434,476 S * 11/2000 Meda D23/250
D669,557 S * 10/2012 Citterio D23/253

(71) Applicant: **DELTA FAUCET COMPANY,**
Indianapolis, IN (US)

* cited by examiner

(72) Inventor: **Anthony G. Spangler,** Indianapolis, IN
(US)

Primary Examiner — Robert A Delehanty

(74) *Attorney, Agent, or Firm* — Edgar A. Zarins; Nirav
D. Parikh

(73) Assignee: **DELTA FAUCET COMPANY,**
Indianapolis, IN (US)

(57) **CLAIM**

The ornamental design for a faucet handle, as shown and
described.

(**) Term: **15 Years**

(21) Appl. No.: **29/632,397**

DESCRIPTION

(22) Filed: **Jan. 8, 2018**

FIG. 1 is a perspective view of a faucet handle showing my
new design;

(51) **LOC (11) Cl.** **23-01**

FIG. 2 is a first side view thereof;

(52) **U.S. Cl.**

FIG. 3 is a second side view thereof;

USPC **D23/253**

FIG. 4 is a top plan view thereof;

(58) **Field of Classification Search**

FIG. 5 is a third side view thereof; and,

USPC D23/250, 253–254, 238–242, 249

FIG. 6 is a bottom view thereof.

CPC Y10T 137/9464

See application file for complete search history.

The broken-line disclosure in the view represents a portion
of the faucet handle in which the claimed design is embod-
ied, but which forms no part of the claimed design.

(56) **References Cited**

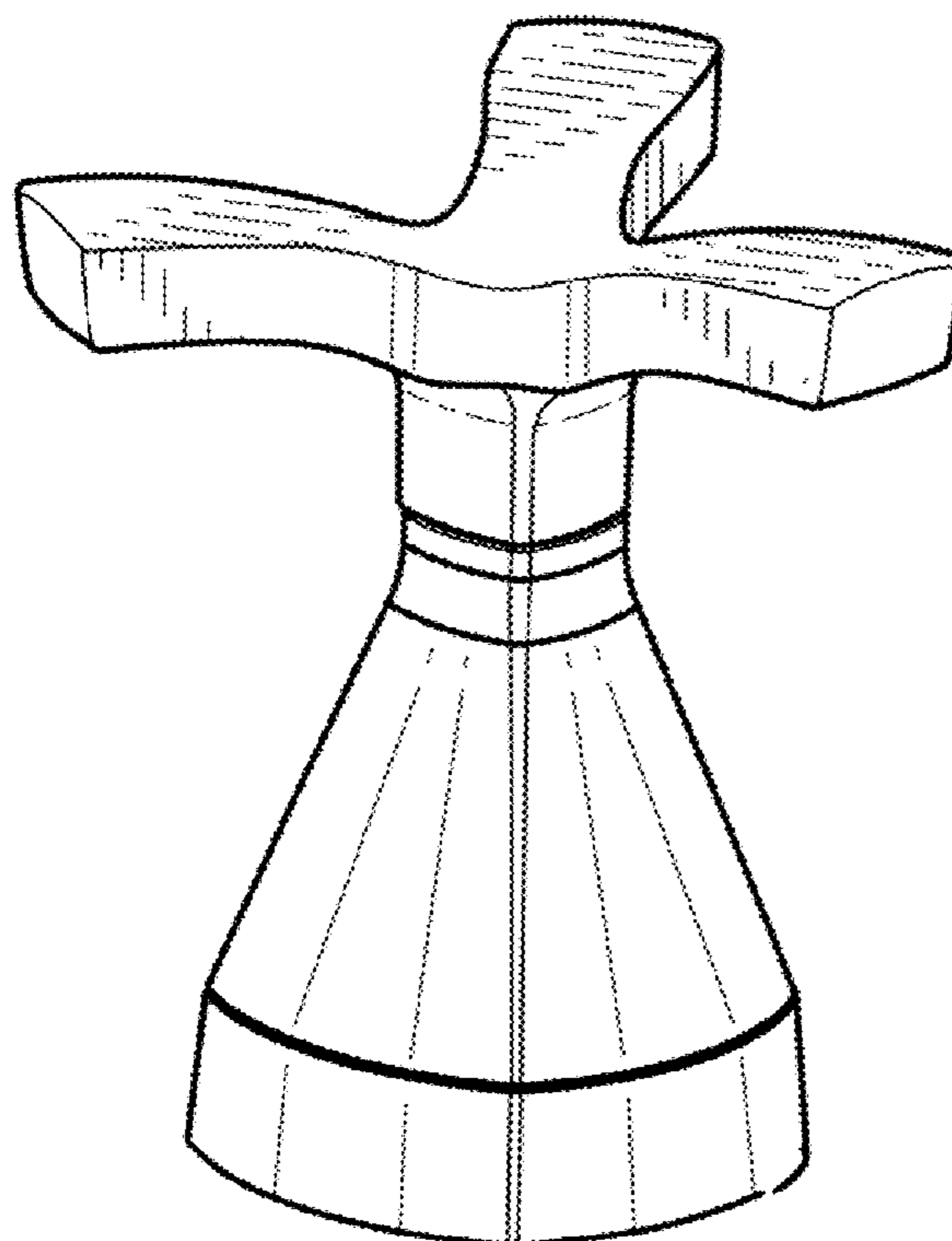
The broken line showing a hole on the bottom side of the
faucet handle is included for the purpose of illustrating a
portion thereof and forms no part of the claimed design.

U.S. PATENT DOCUMENTS

D162,678 S * 3/1951 Muller-Munk D23/254

D434,115 S * 11/2000 Meda D23/252

1 Claim, 1 Drawing Sheet



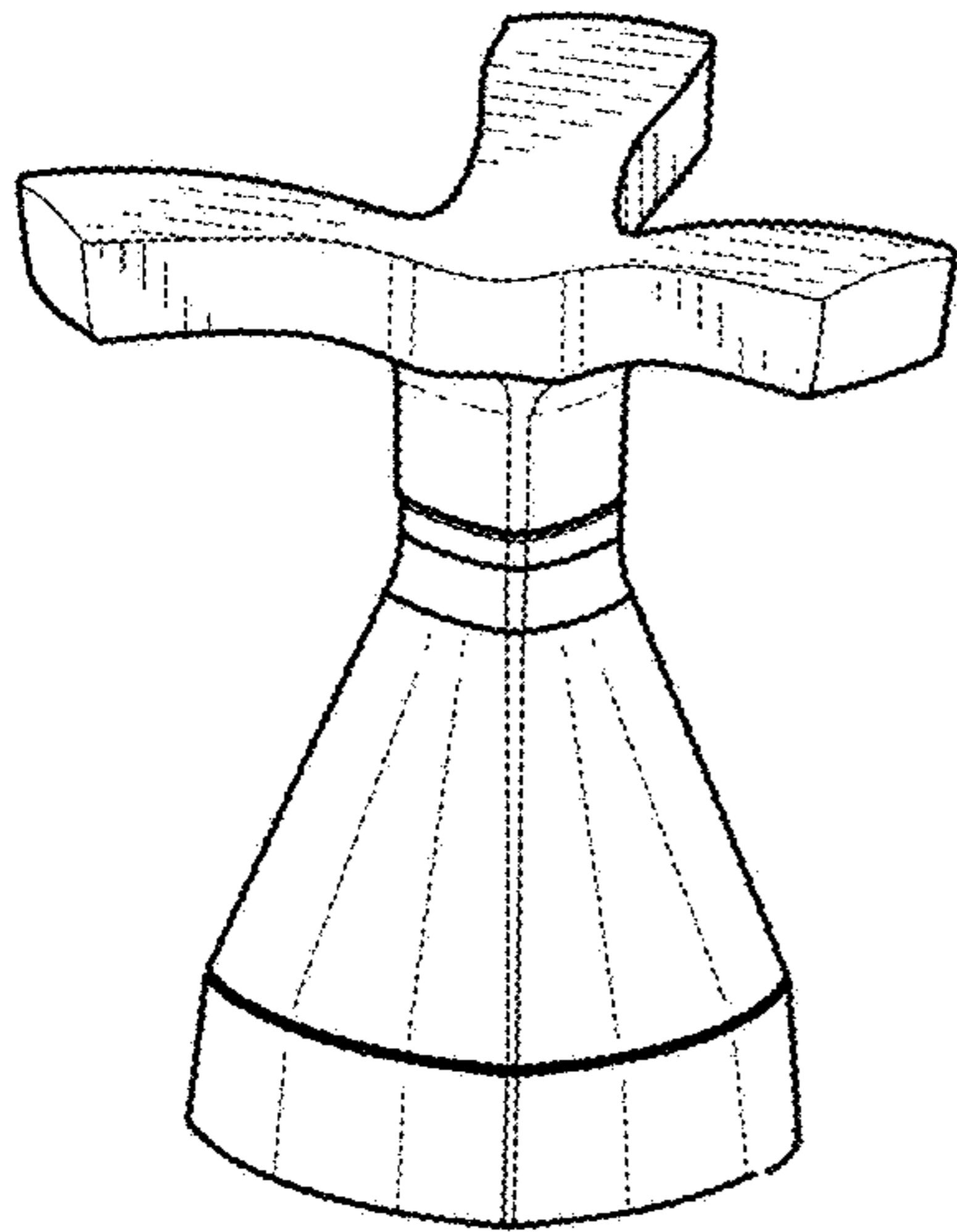


Fig-1

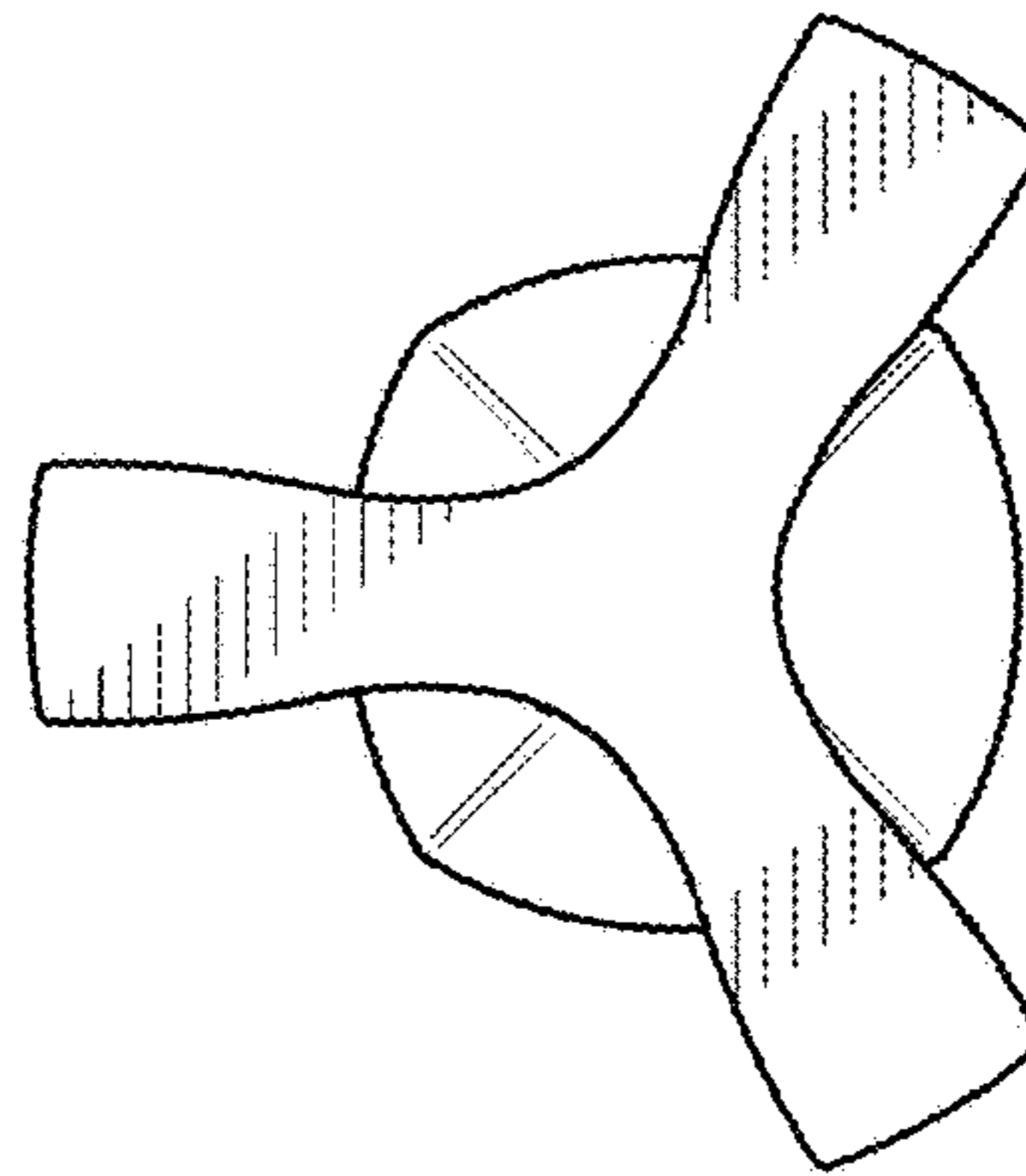


Fig-4

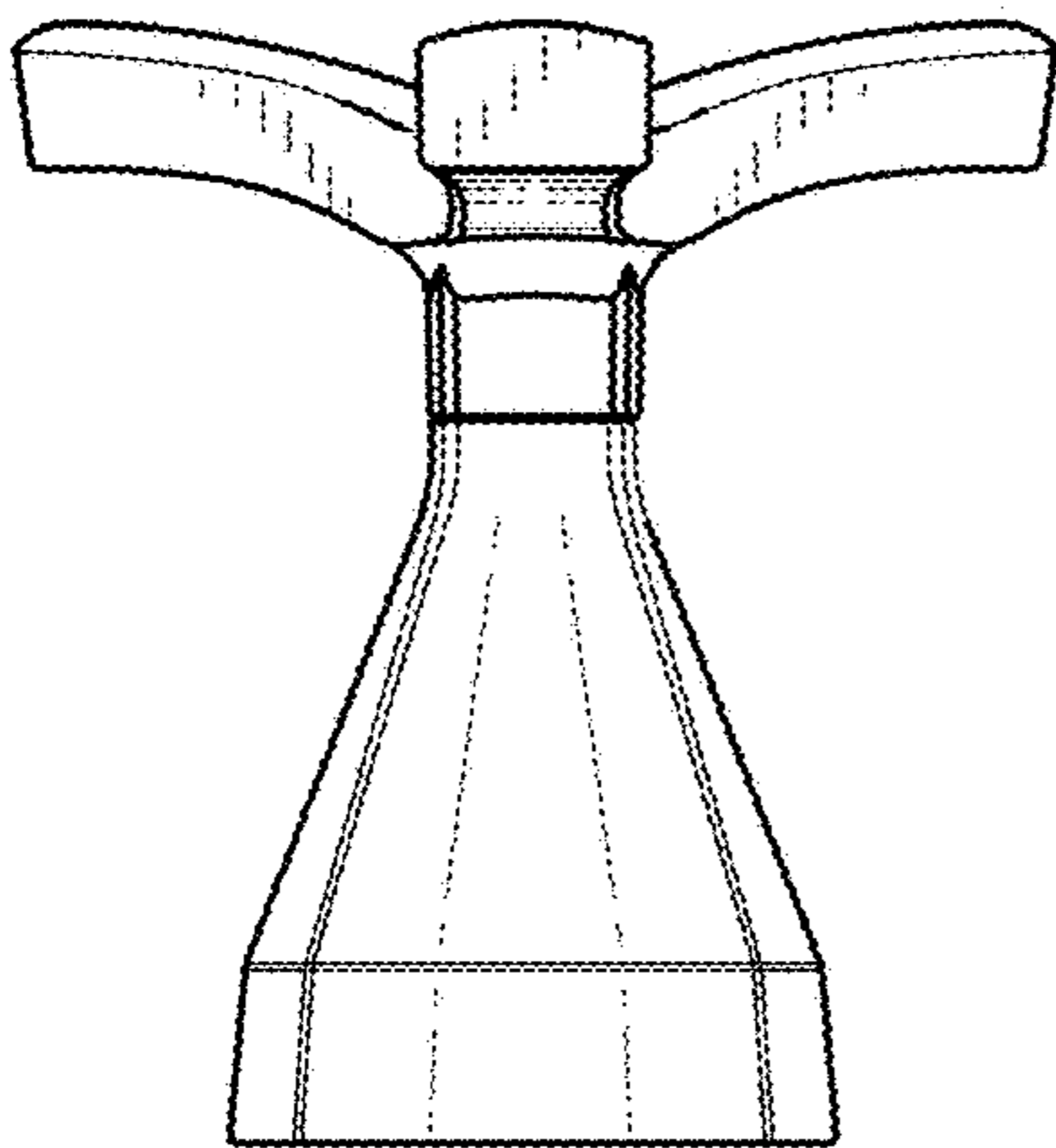


Fig-2

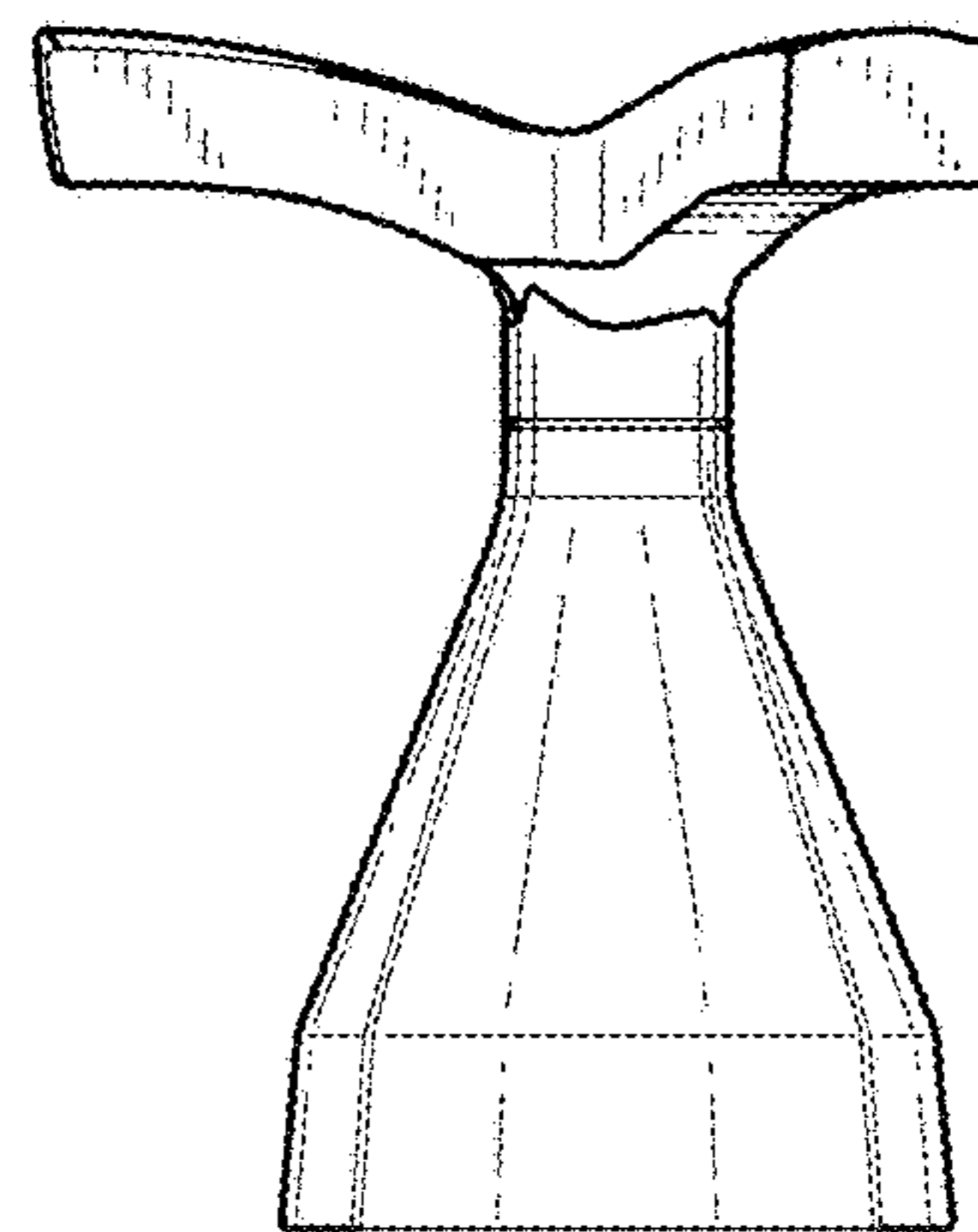


Fig-5

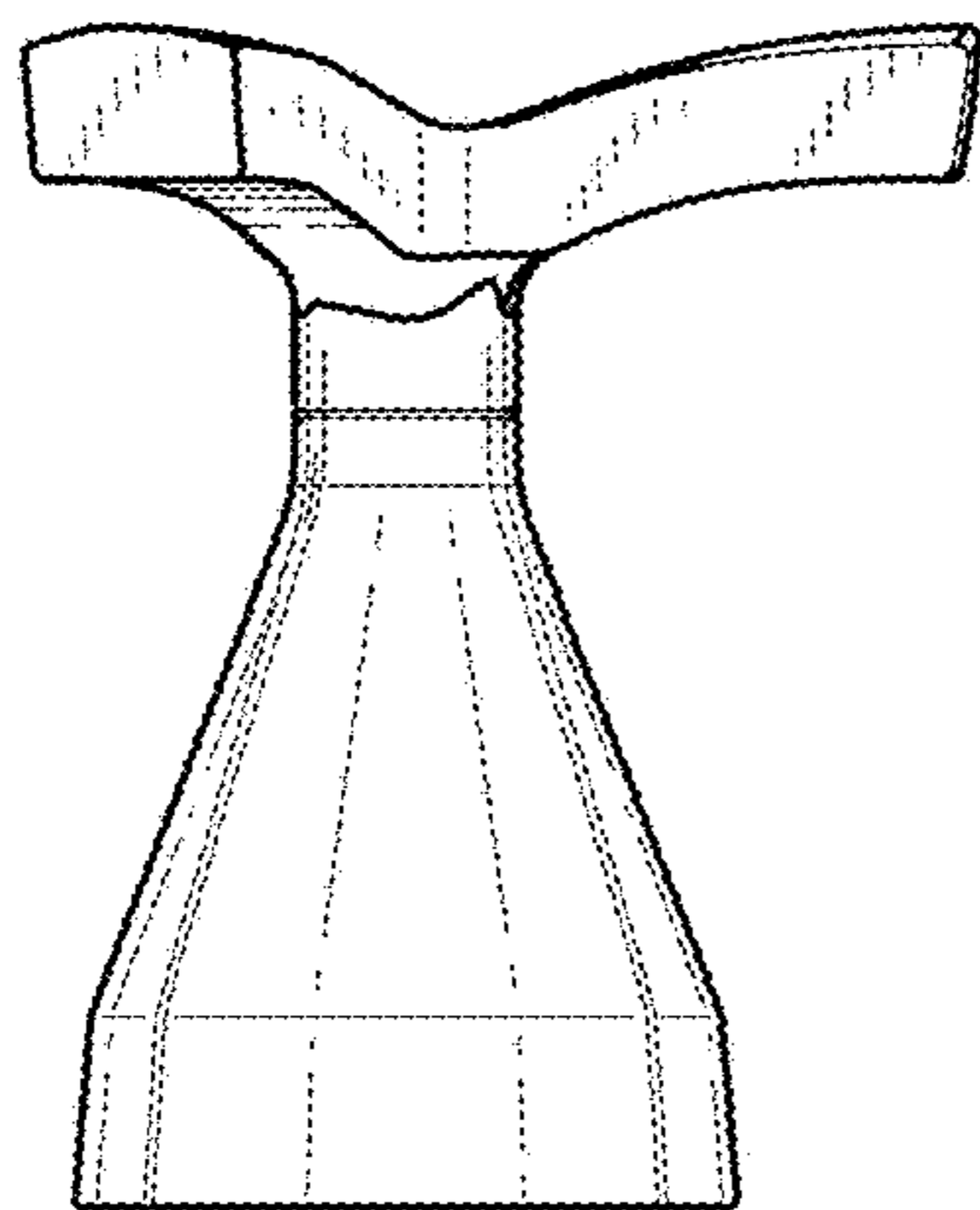


Fig-3

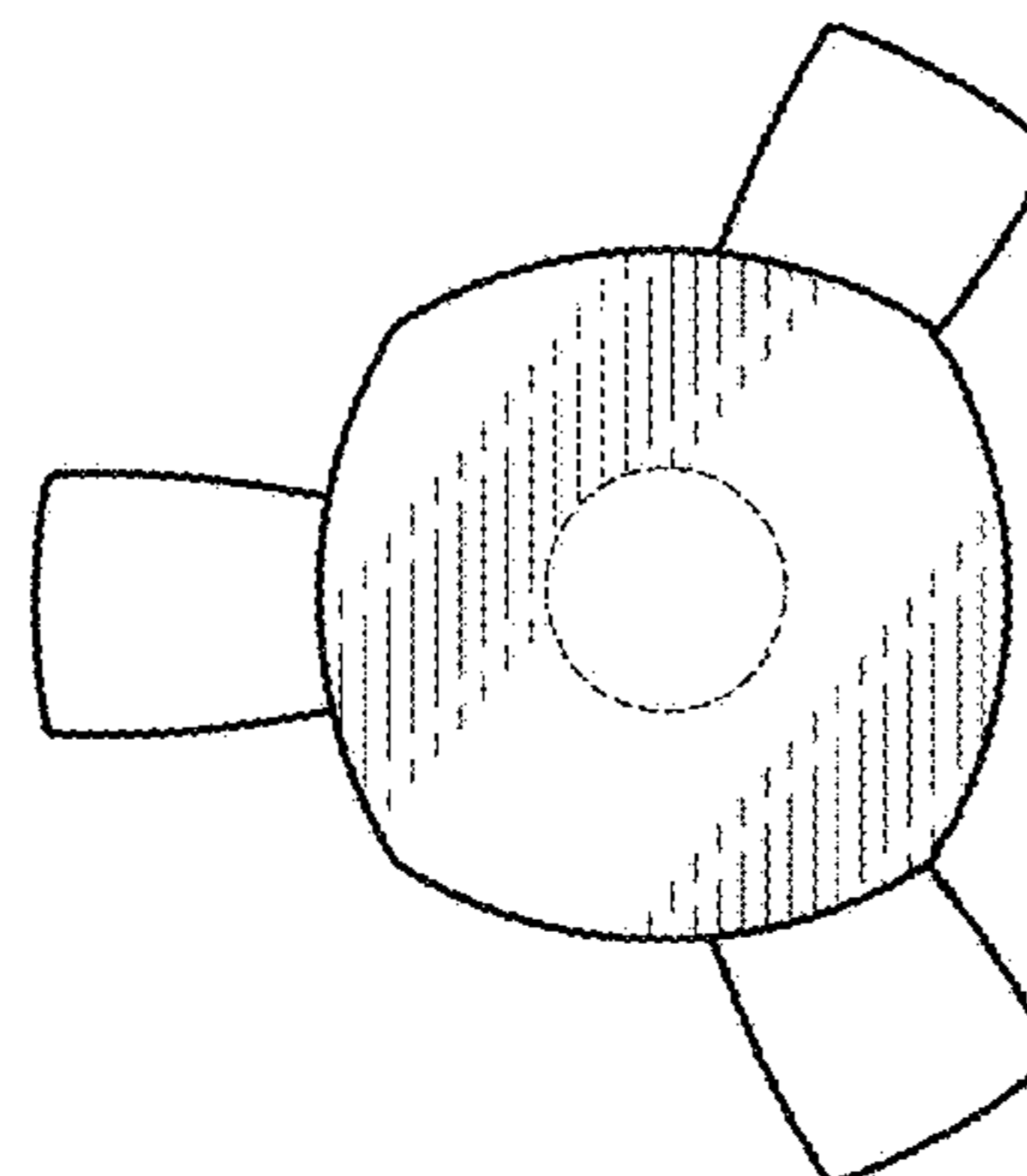


Fig-6