



US00D827098S

(12) **United States Design Patent** (10) **Patent No.:** **US D827,098 S**  
**Soulier** (45) **Date of Patent:** **\*\* Aug. 28, 2018**

(54) **FAUCET**  
(71) Applicant: **Kohler Co.**, Kohler, WI (US)  
(72) Inventor: **Jean-Hugues Soulier**, Paris (FR)  
(73) Assignee: **KOHLER CO.**, Kohler, WI (US)  
(\*\*) Term: **15 Years**

D545,664 S \* 7/2007 Fields ..... D8/310  
D559,956 S \* 1/2008 Heck ..... D23/238  
D567,910 S \* 4/2008 Shieh ..... D23/241  
D584,383 S \* 1/2009 Eilmus ..... D23/241  
D620,560 S \* 7/2010 Shieh ..... D23/241  
D669,557 S \* 10/2012 Citterio ..... D23/253  
D693,439 S \* 11/2013 Shieh ..... D23/241  
D714,911 S \* 10/2014 Cai ..... D23/249  
D786,407 S \* 5/2017 Clarke ..... D23/252

\* cited by examiner

(21) Appl. No.: **29/585,176**  
(22) Filed: **Nov. 21, 2016**  
(51) **LOC (11) Cl.** ..... **23-01**  
(52) **U.S. Cl.**  
USPC ..... **D23/253**  
(58) **Field of Classification Search**  
USPC ..... D23/238–243, 249–250, 252–253,  
D23/254–255, 257; D8/300, 310  
CPC ..... Y10T 137/9464  
See application file for complete search history.

*Primary Examiner* — Robert A Delehanty  
(74) *Attorney, Agent, or Firm* — Foley & Lardner LLP

(57) **CLAIM**  
I claim the ornamental design for a faucet, as shown and described.

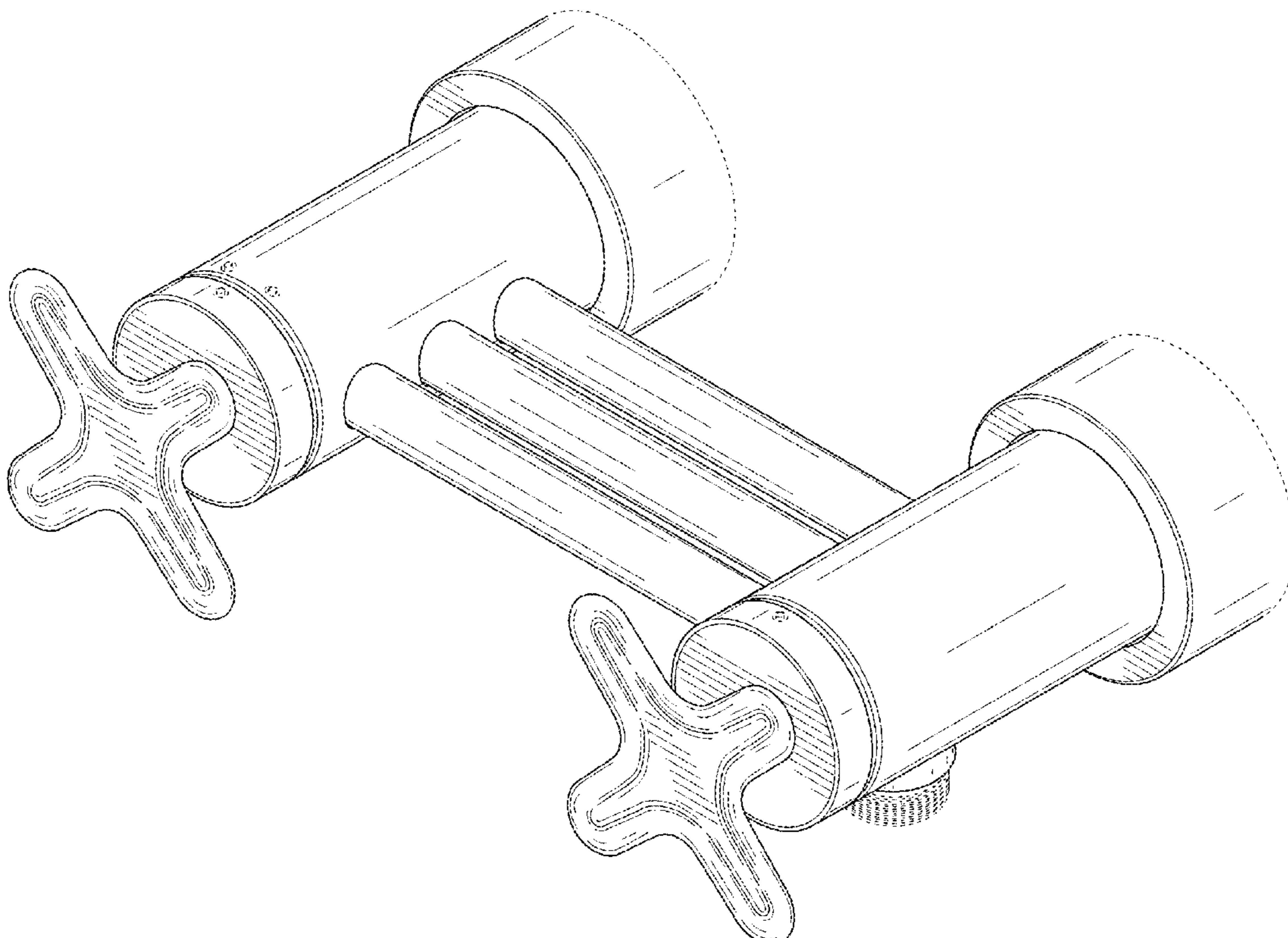
**DESCRIPTION**

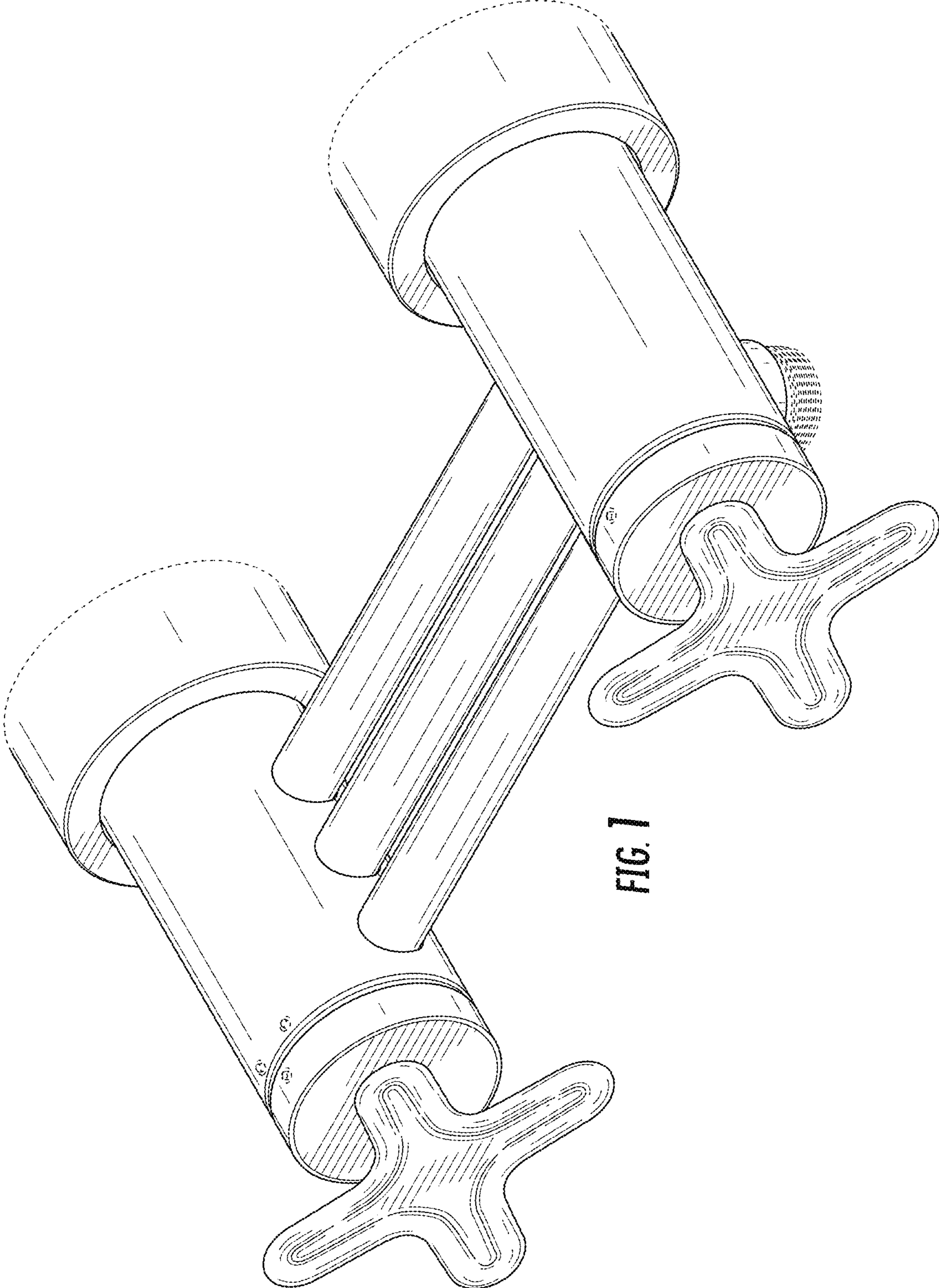
FIG. 1 is a top, front, right perspective view of the claimed design, according to an exemplary embodiment;  
FIG. 2 is a right side elevation view thereof;  
FIG. 3 is a left side elevation view thereof;  
FIG. 4 is a front elevation view thereof;  
FIG. 5 is a rear elevation view thereof;  
FIG. 6 is a top plan view thereof; and,  
FIG. 7 is a bottom plan view thereof.

The ornamental design which is claimed is shown in solid lines in the drawings. The broken lines in the drawings are for illustrative purposes only and form no part of the claimed design. Broken lines formed by equal length dashes show unclaimed subject matter.

(56) **References Cited**  
U.S. PATENT DOCUMENTS  
D141,718 S 6/1945 Blank  
D464,249 S \* 10/2002 Laabs ..... D8/343  
D484,386 S \* 12/2003 Thomas ..... D8/310  
D532,086 S \* 11/2006 Haug ..... D23/252  
D532,487 S \* 11/2006 Citterio ..... D23/252  
D534,993 S \* 1/2007 Kirar ..... D23/253

**1 Claim, 6 Drawing Sheets**





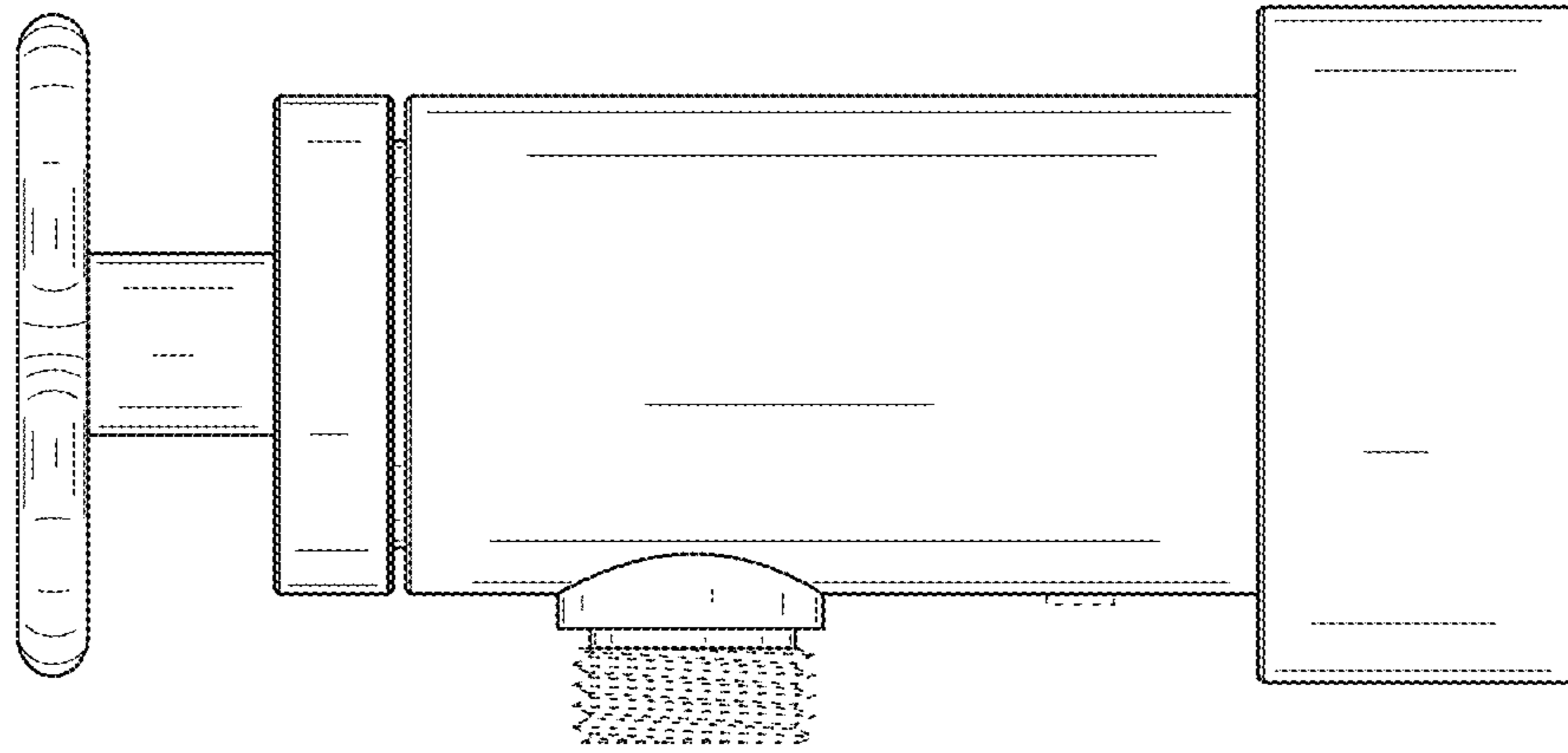


FIG. 2

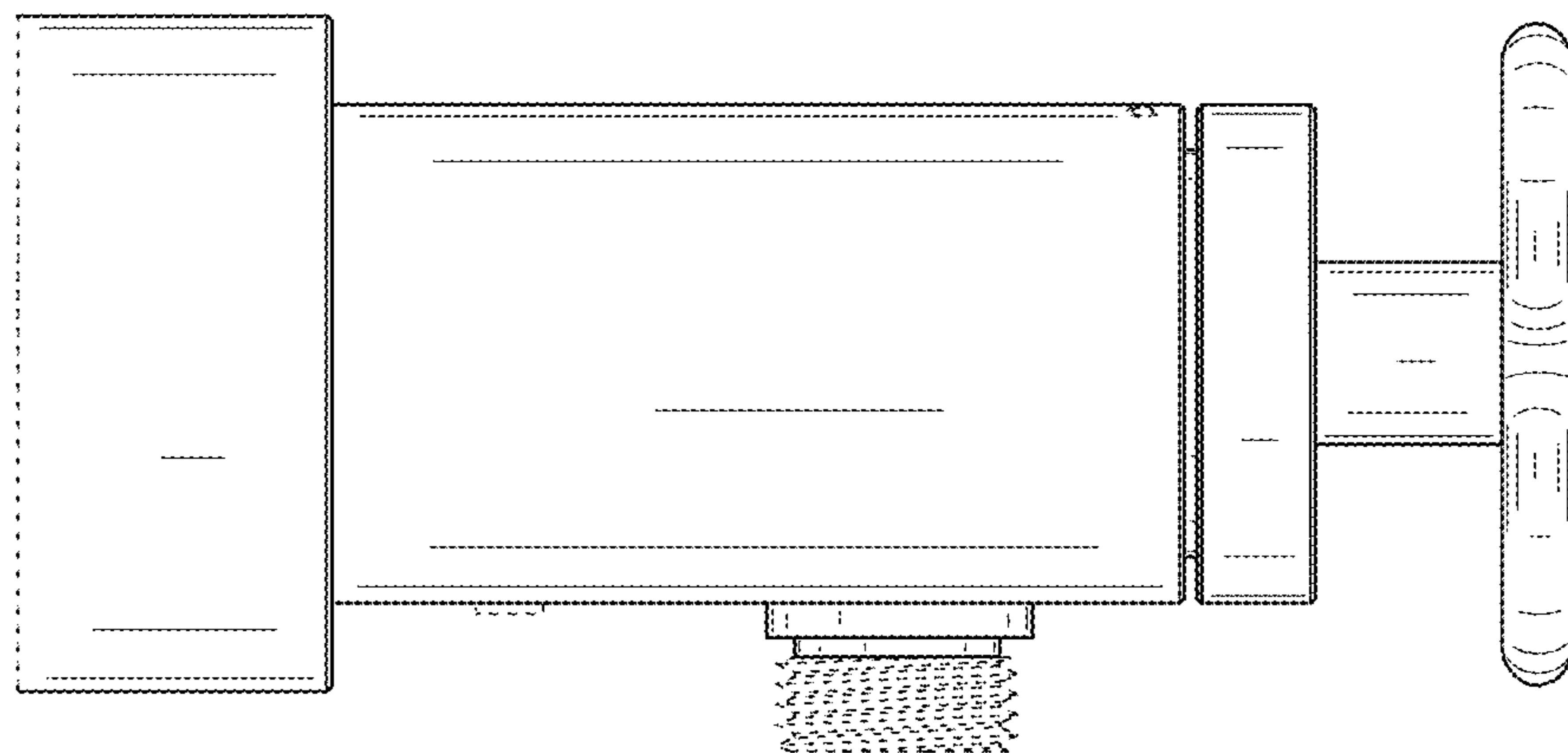


FIG. 3

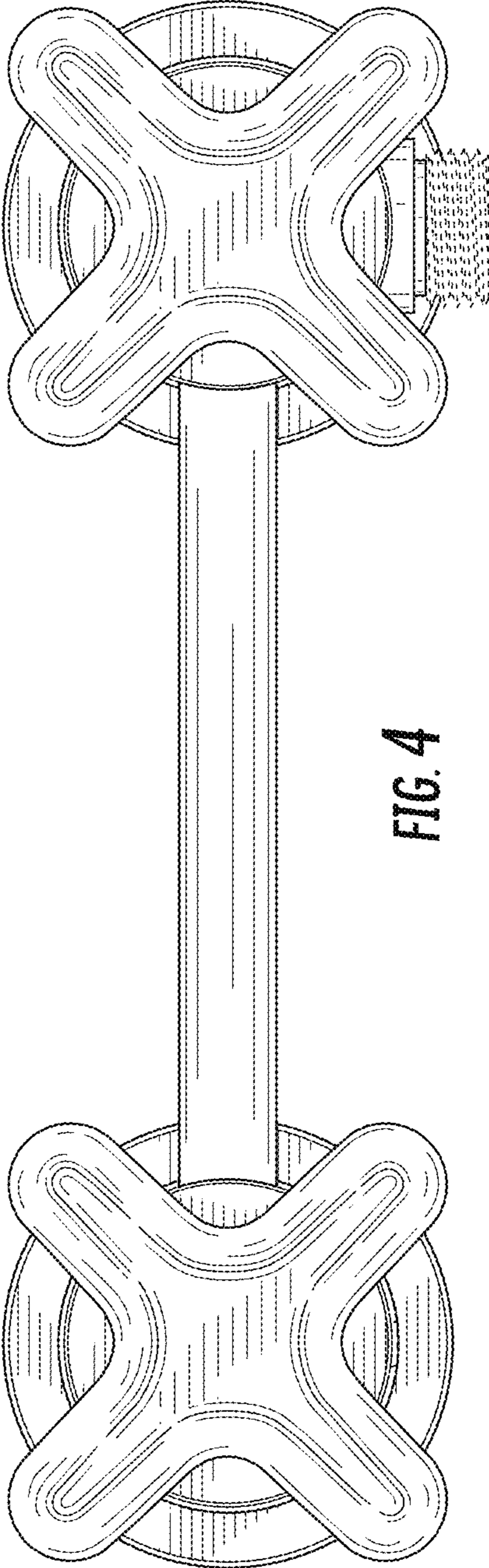


FIG. 4

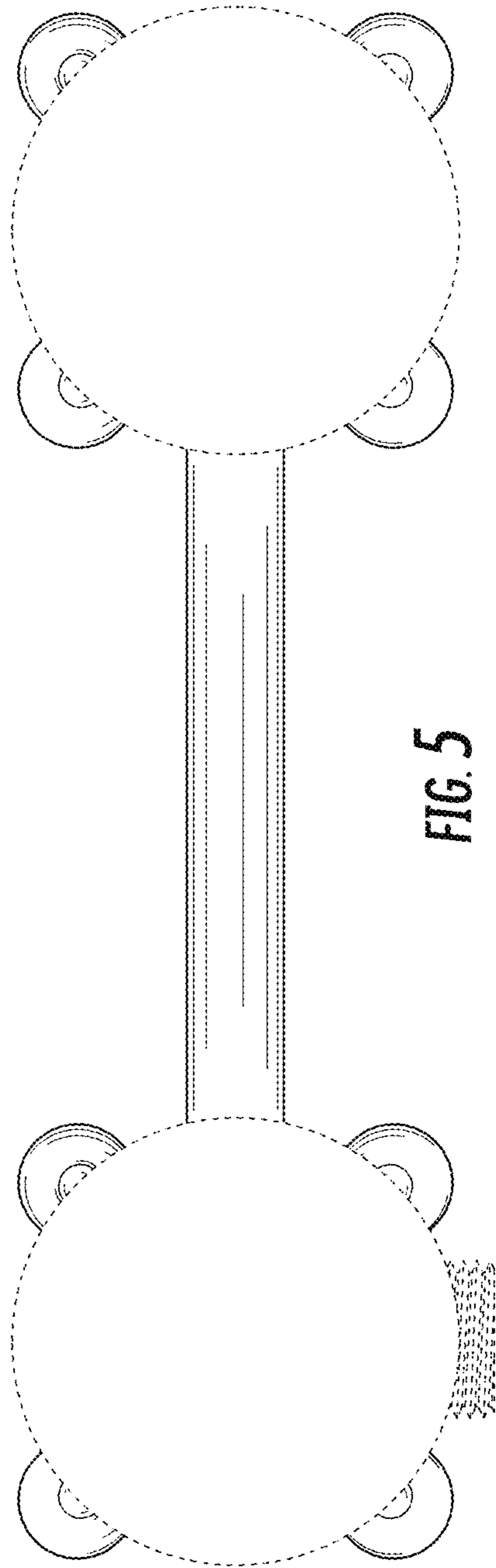


FIG. 5

