



US00D827095S

(12) **United States Design Patent** (10) **Patent No.:** **US D827,095 S**  
**Soulier** (45) **Date of Patent:** **\*\* Aug. 28, 2018**

- (54) **FAUCET**
- (71) Applicant: **Kohler Co.**, Kohler, WI (US)
- (72) Inventor: **Jean-Hugues Soulier**, Paris (FR)
- (73) Assignee: **KOHLER CO.**, Kohler, WI (US)
- (\*\*) Term: **15 Years**
- (21) Appl. No.: **29/640,283**
- (22) Filed: **Mar. 13, 2018**

- D620,560 S \* 7/2010 Shieh ..... D23/241
- D669,557 S 10/2012 Citterio
- D693,439 S \* 11/2013 Shieh ..... D23/241
- D714,911 S \* 10/2014 Cai ..... D23/249
- D786,407 S 5/2017 Clarke

\* cited by examiner

*Primary Examiner* — Robert A Delehanty  
(74) *Attorney, Agent, or Firm* — Foley & Lardner LLP

**Related U.S. Application Data**

- (62) Division of application No. 29/585,176, filed on Nov. 21, 2016.
- (51) **LOC (11) Cl.** ..... **23-01**
- (52) **U.S. Cl.**  
USPC ..... **D23/241**
- (58) **Field of Classification Search**  
USPC ..... D23/238–243, 249–250, 252–253, 254  
CPC . E03C 1/0412; E03C 1/0408; Y10T 137/9464  
See application file for complete search history.

(57) **CLAIM**

I claim the ornamental design for a faucet, as shown and described.

**DESCRIPTION**

FIG. 1 is a top, front, right perspective view of an embodiment of the claimed design;  
FIG. 2 is a right side elevation view thereof;  
FIG. 3 is a left side elevation view thereof;  
FIG. 4 is a front elevation view thereof;  
FIG. 5 is a rear elevation view thereof;  
FIG. 6 is a top plan view thereof; and,  
FIG. 7 is a bottom plan view thereof.

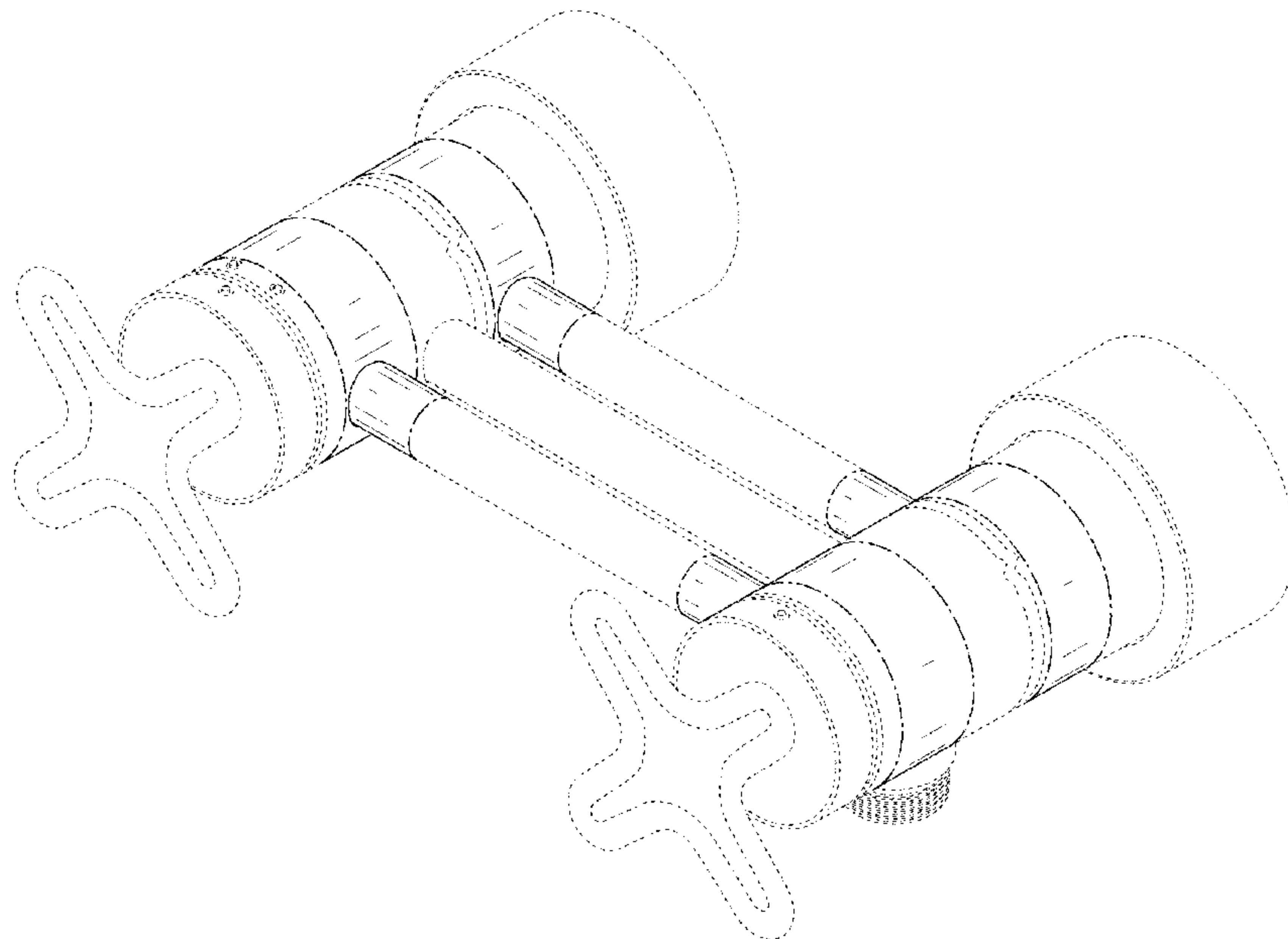
The ornamental design which is claimed is shown in solid lines in the drawings. The broken lines in the drawings are for illustrative purposes only and form no part of the claimed design. Broken lines formed by equal length dashes show unclaimed subject matter. Broken lines formed by unequal length dashes (i.e., dash-dot) define bounds of the claimed design. Broken away symbols having a jagged element show that unspecified length of the portion is possible. The appearance of any portion of the article between the broken away symbols forms no part of the claimed design.

(56) **References Cited**

U.S. PATENT DOCUMENTS

- D141,718 S \* 6/1945 Blank ..... D23/240
- D464,249 S 10/2002 Laabs
- D484,386 S 12/2003 Thomas
- D532,086 S 11/2006 Haug
- D532,487 S 11/2006 Citterio
- D534,993 S 1/2007 Kirar
- D545,664 S 7/2007 Fields
- D559,956 S \* 1/2008 Heck ..... D23/238
- D567,910 S \* 4/2008 Shieh ..... D23/241
- D584,383 S \* 1/2009 Eilmus ..... D23/241

**1 Claim, 6 Drawing Sheets**



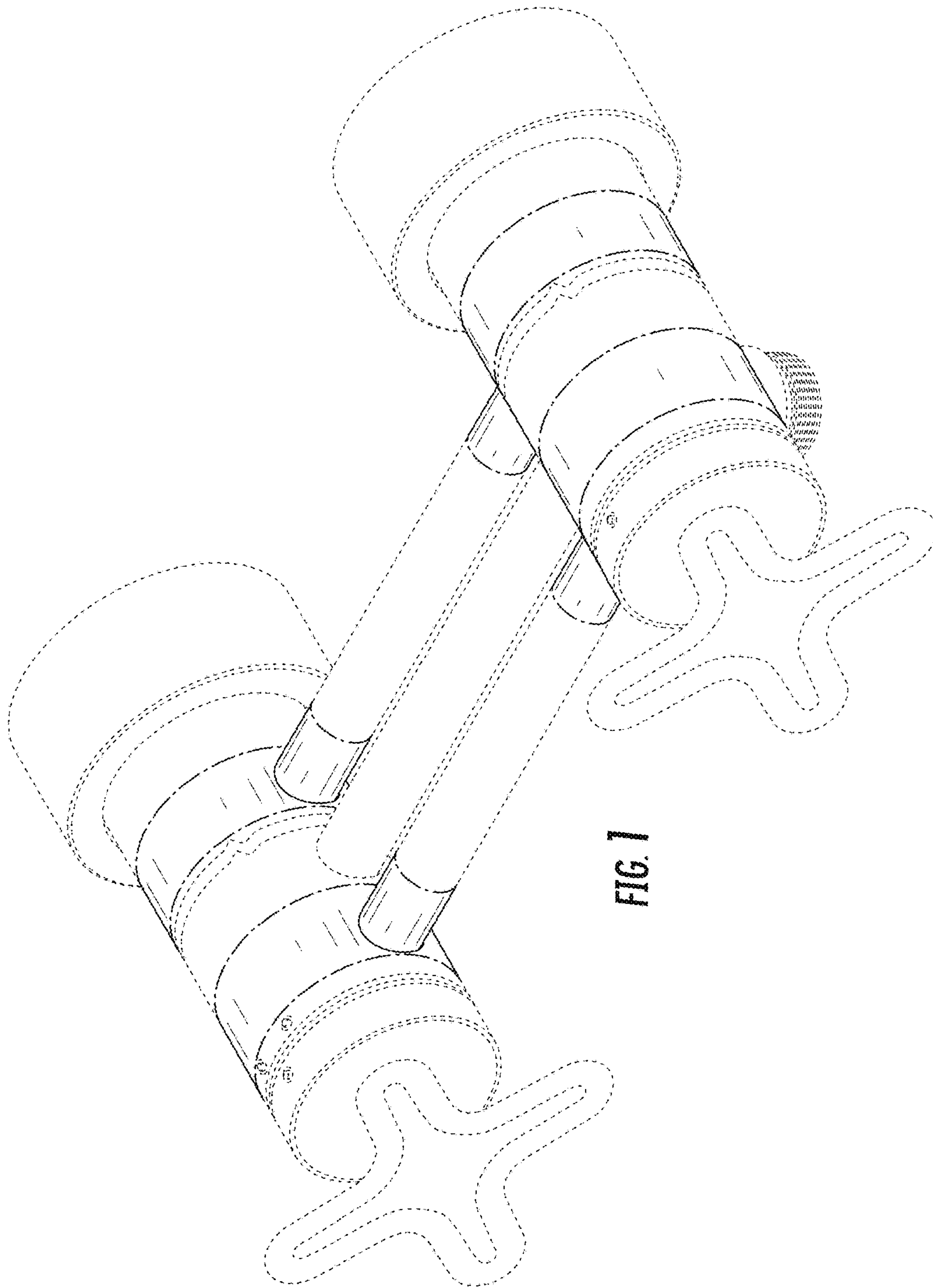


FIG. 1

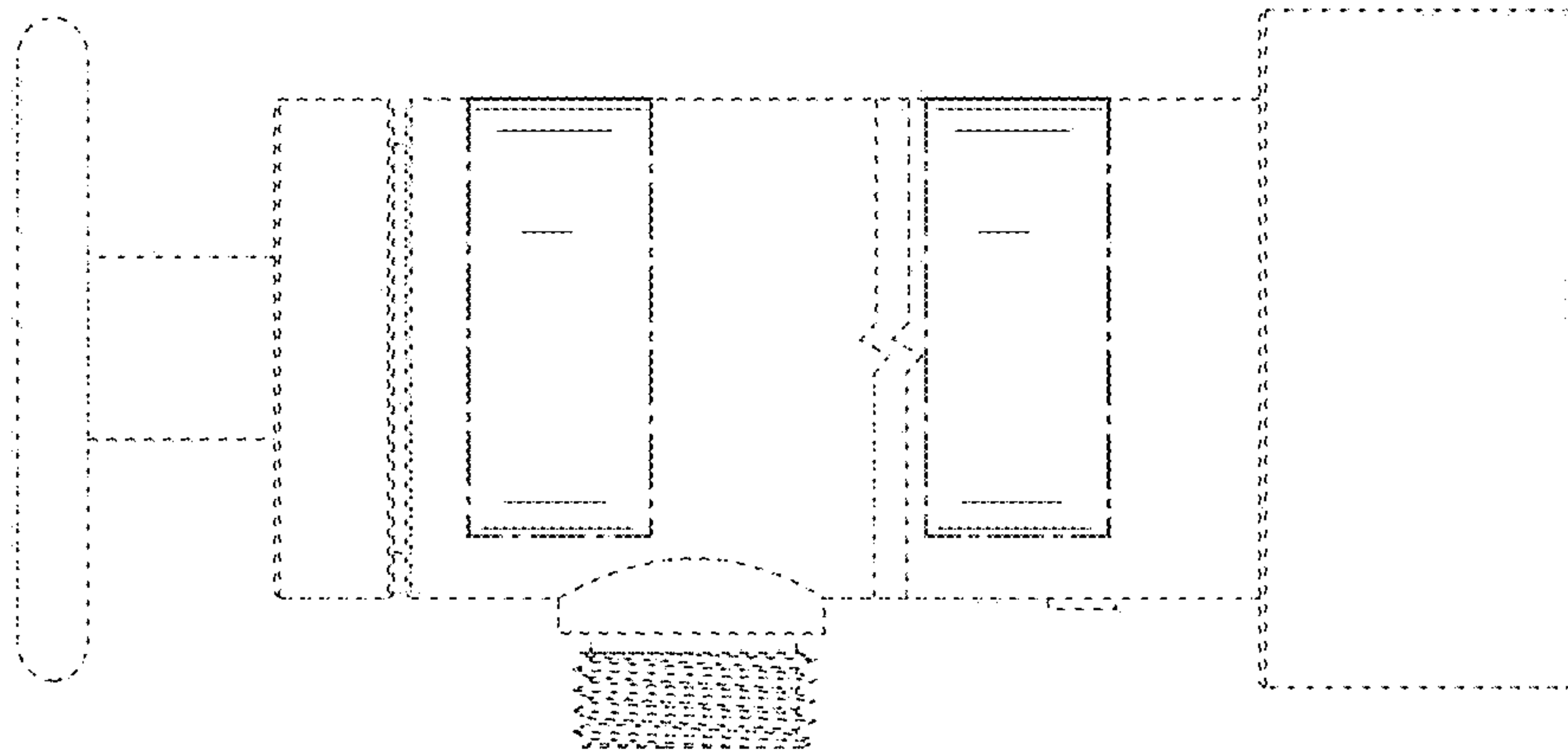


FIG. 2

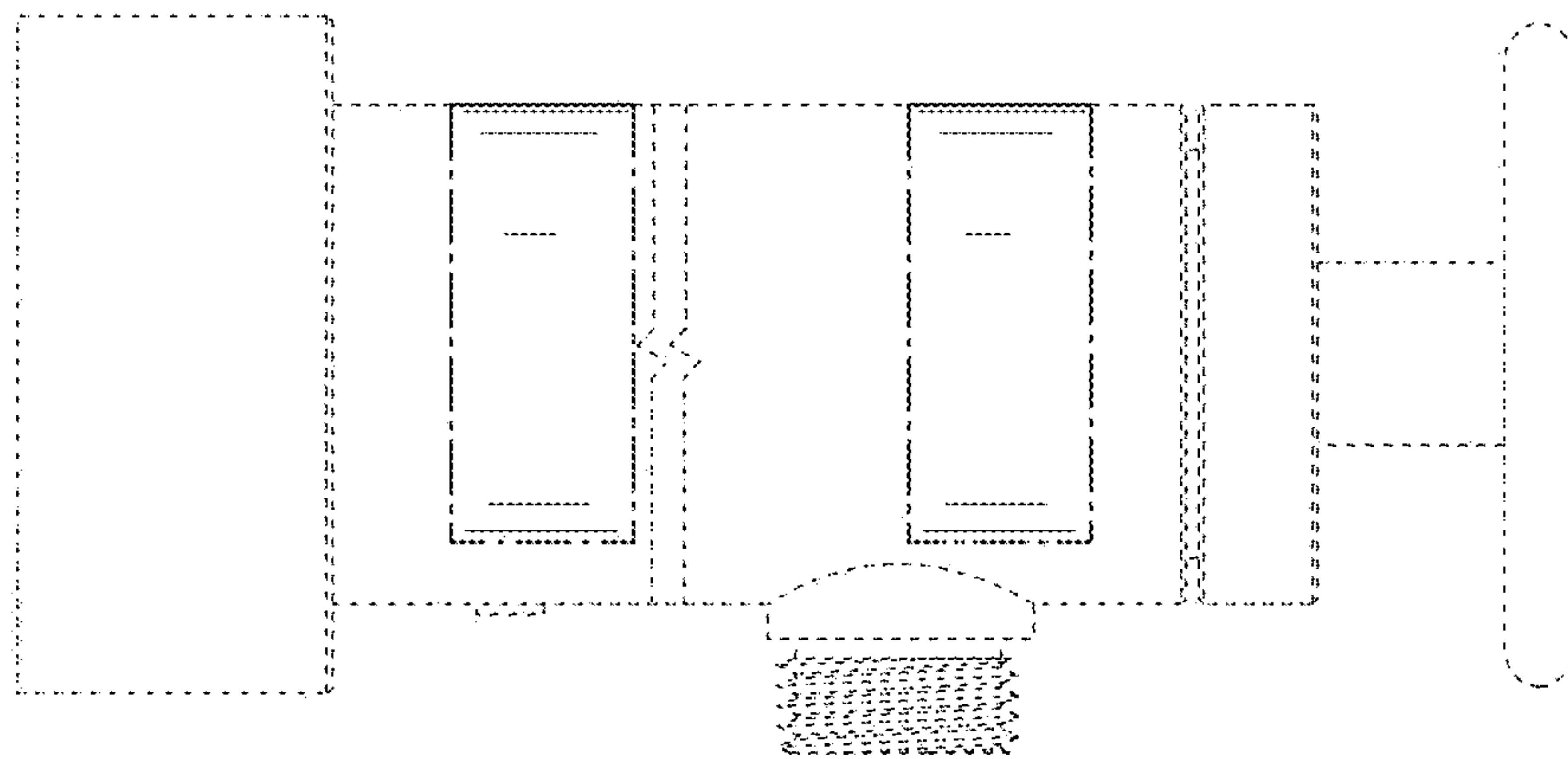


FIG. 3

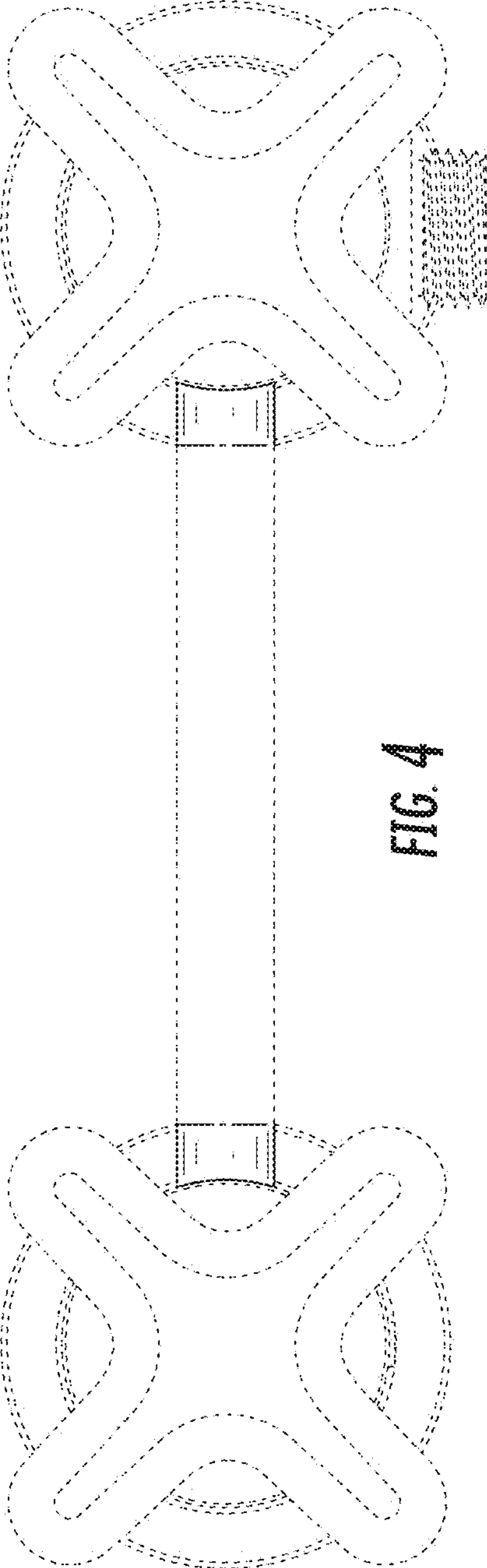


FIG. 4

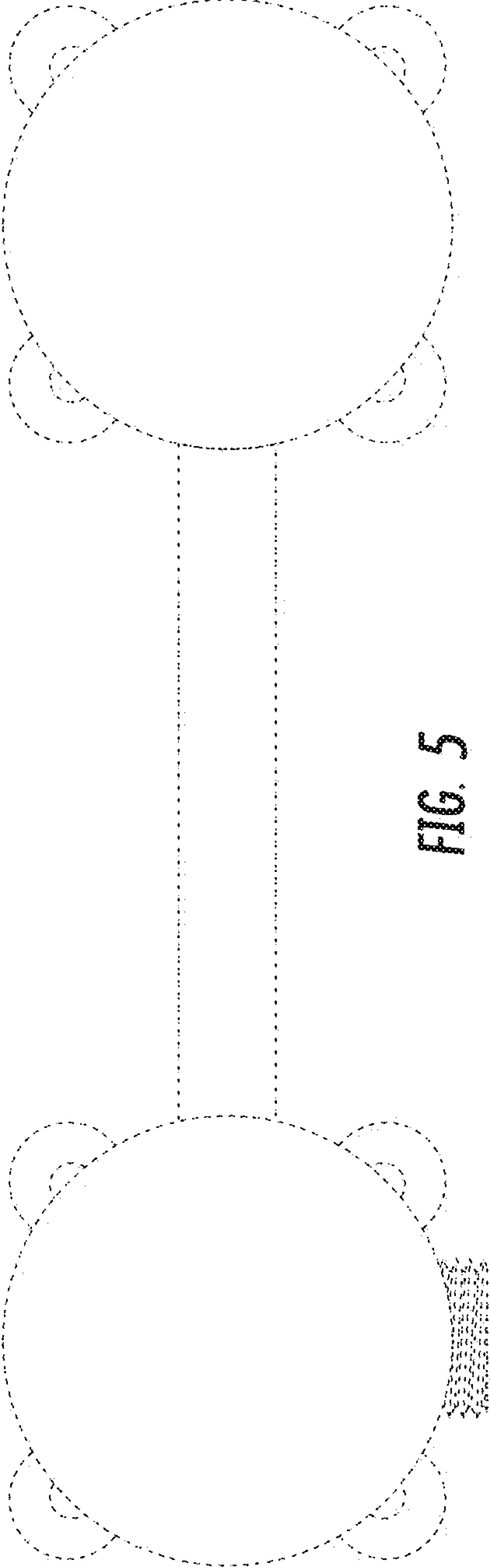


FIG. 5

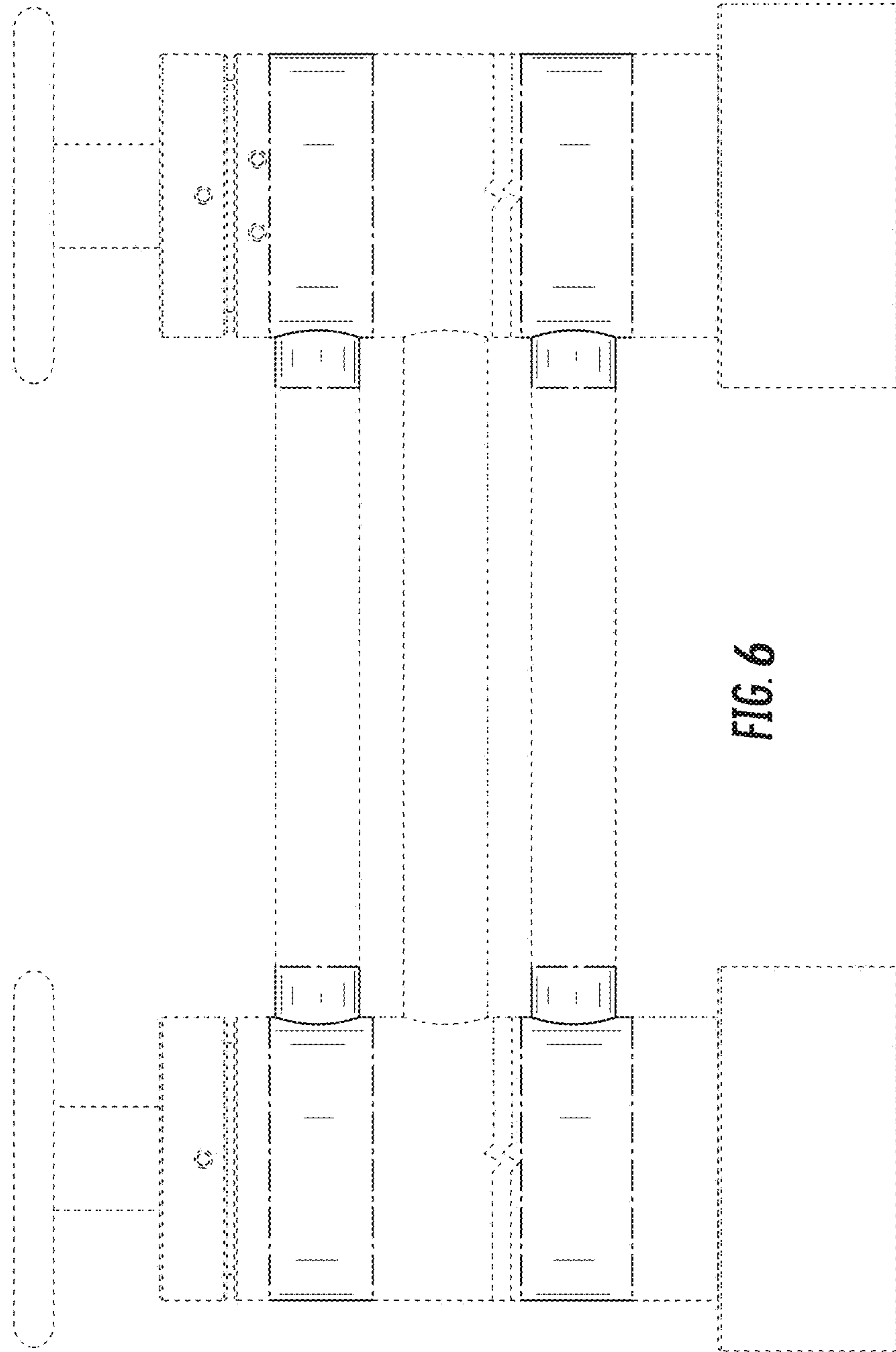


FIG. 6



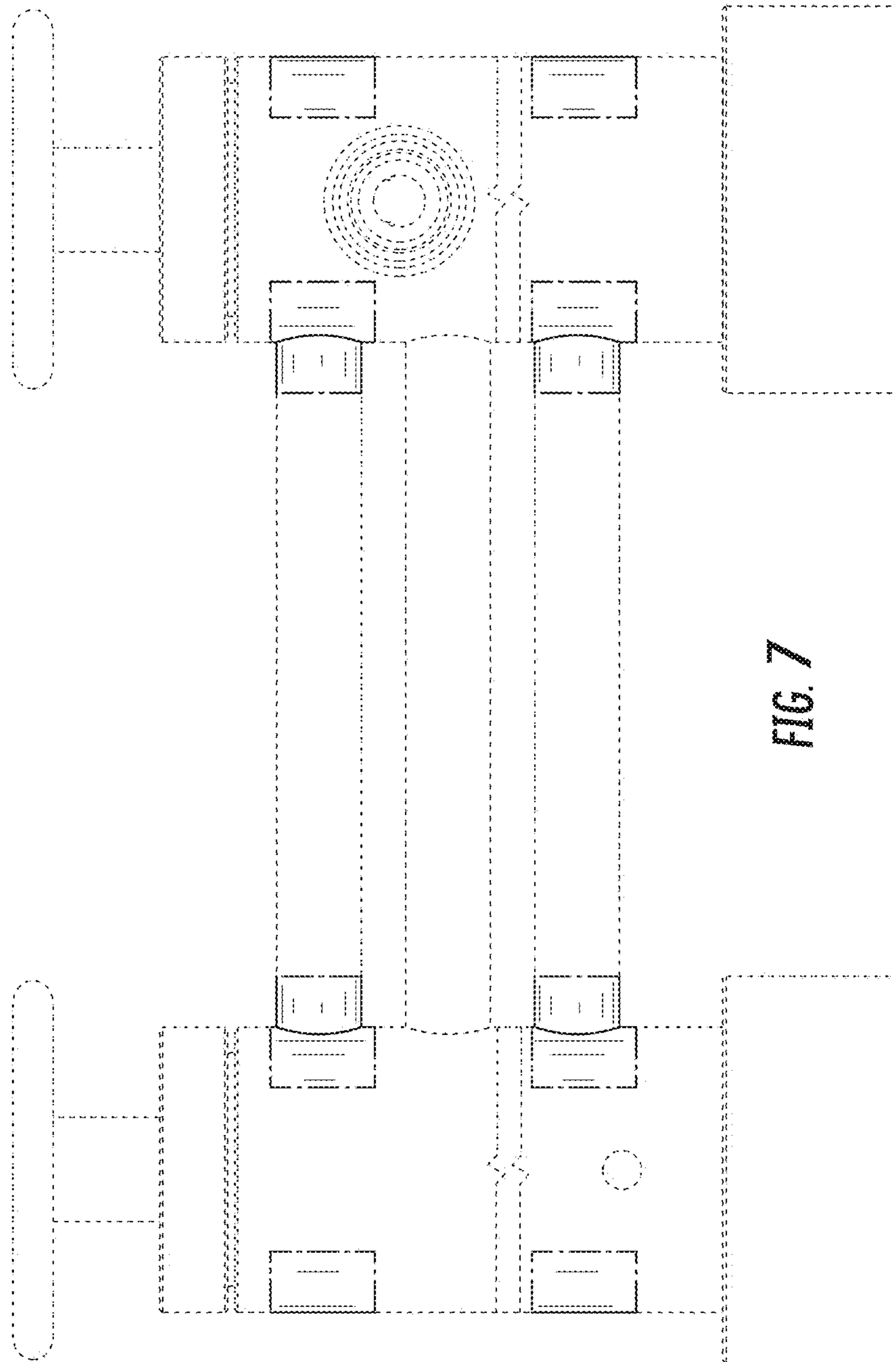


FIG. 7