



US00D827094S

(12) **United States Design Patent**  
**Miyazoe et al.**

(10) **Patent No.:** **US D827,094 S**

(45) **Date of Patent:** **\*\* Aug. 28, 2018**

(54) **MANIFOLD BASE FOR  
ELECTROMAGNETIC VALVE**

(71) Applicant: **SMC CORPORATION**, Chiyoda-ku  
(JP)

(72) Inventors: **Shinji Miyazoe**, Moriya (JP); **Kazuhiro  
Noguchi**, Tsukubamirai (JP); **Yoichi  
Kawamura**, Tsukubamirai (JP)

(73) Assignee: **SMC CORPORATION**, Chiyoda-ku  
(JP)

(\*\*) Term: **15 Years**

(21) Appl. No.: **29/608,235**

(22) Filed: **Jun. 20, 2017**

(30) **Foreign Application Priority Data**

Jan. 12, 2017 (JP) ..... 2017-000351

(51) **LOC (11) Cl.** ..... **23-01**

(52) **U.S. Cl.**  
USPC ..... **D23/233**

(58) **Field of Classification Search**  
USPC ..... D23/233, 235-237, 244-249; 137/884,  
137/596.16, 554, 861, 271, 343, 625.64,  
137/270; 251/367, 129.15, 129.01;  
D15/5, 199; 239/585.1  
CPC .... F16K 27/041; F16K 27/048; F16K 27/003;  
F16K 31/0634; F16K 31/0675; F16K  
27/029; F16K 31/082

See application file for complete search history.

(56) **References Cited**

**U.S. PATENT DOCUMENTS**

D599,890 S \* 9/2009 Yoshimura ..... D23/233  
D615,619 S \* 5/2010 Roys ..... D23/233

D616,964 S \* 6/2010 Miyazoe ..... D23/233  
D616,965 S \* 6/2010 Miyazoe ..... D23/233  
D621,910 S \* 8/2010 Miyazoe ..... D23/233  
D689,984 S \* 9/2013 Miyazoe ..... D23/233  
D690,392 S \* 9/2013 Miyazoe ..... D23/233  
2003/0155025 A1\* 8/2003 Camozzi ..... F15B 13/0402  
137/884

\* cited by examiner

*Primary Examiner* — Cynthia Ramirez

*Assistant Examiner* — Gino Colan

(74) *Attorney, Agent, or Firm* — Oblon, McClelland,  
Maier & Neustadt, L.L.P.

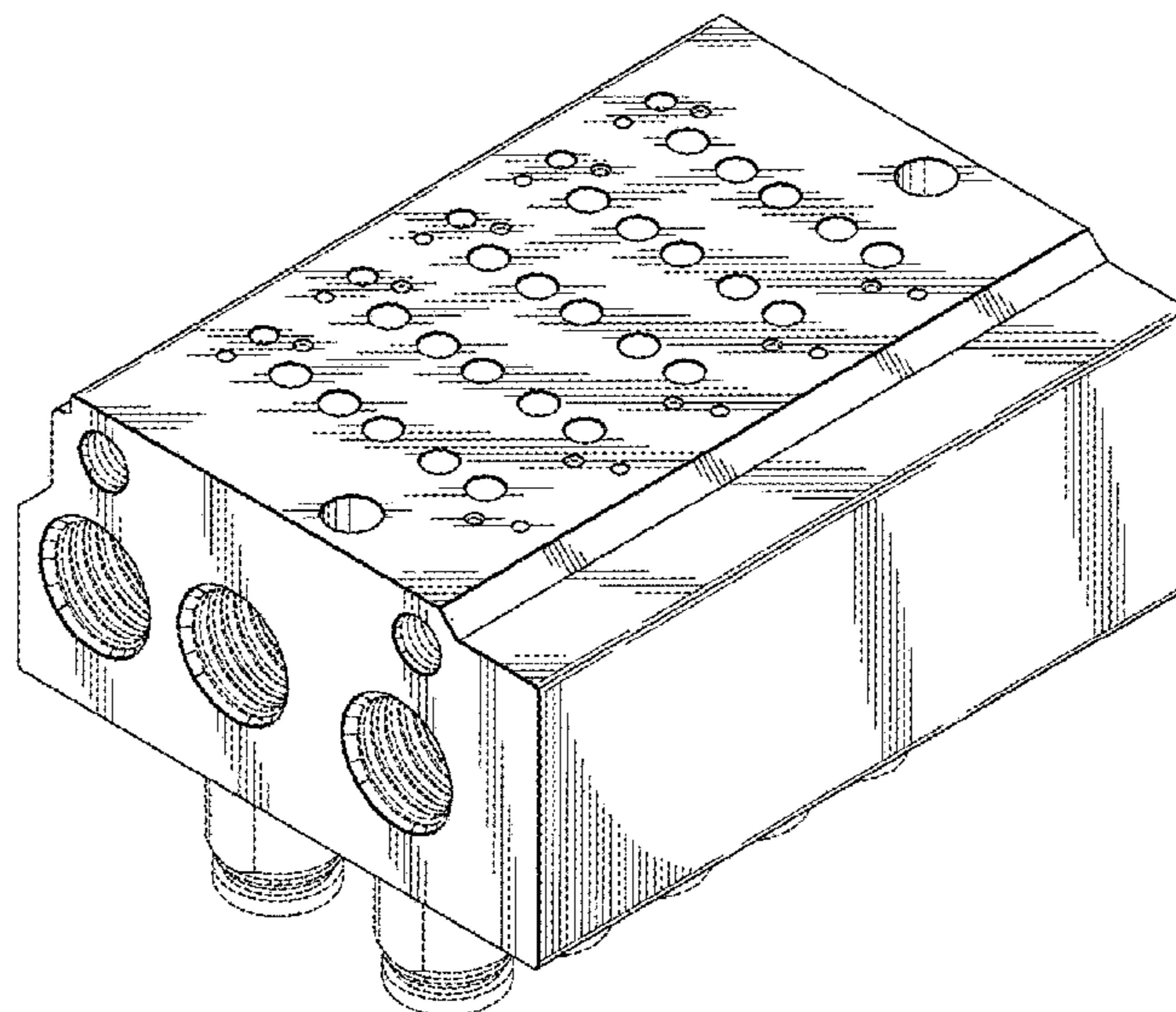
(57) **CLAIM**

The ornamental design for a manifold base for electromag-  
netic valve, as shown and described.

**DESCRIPTION**

FIG. 1 is a front, top, and left side perspective view of a  
manifold base for electromagnetic valve;  
FIG. 2 is a rear, bottom, and right side perspective view  
thereof;  
FIG. 3 is a front elevational view thereof;  
FIG. 4 is a rear elevational view thereof;  
FIG. 5 is a top plan view thereof;  
FIG. 6 is a bottom plan view thereof;  
FIG. 7 is a left side elevational view thereof; and,  
FIG. 8 is a right side elevational view thereof.  
The broken lines shown in the figures are for the purpose of  
illustrating portions of the manifold base for electromagnetic  
valve that form no part of the claimed design.

**1 Claim, 8 Drawing Sheets**



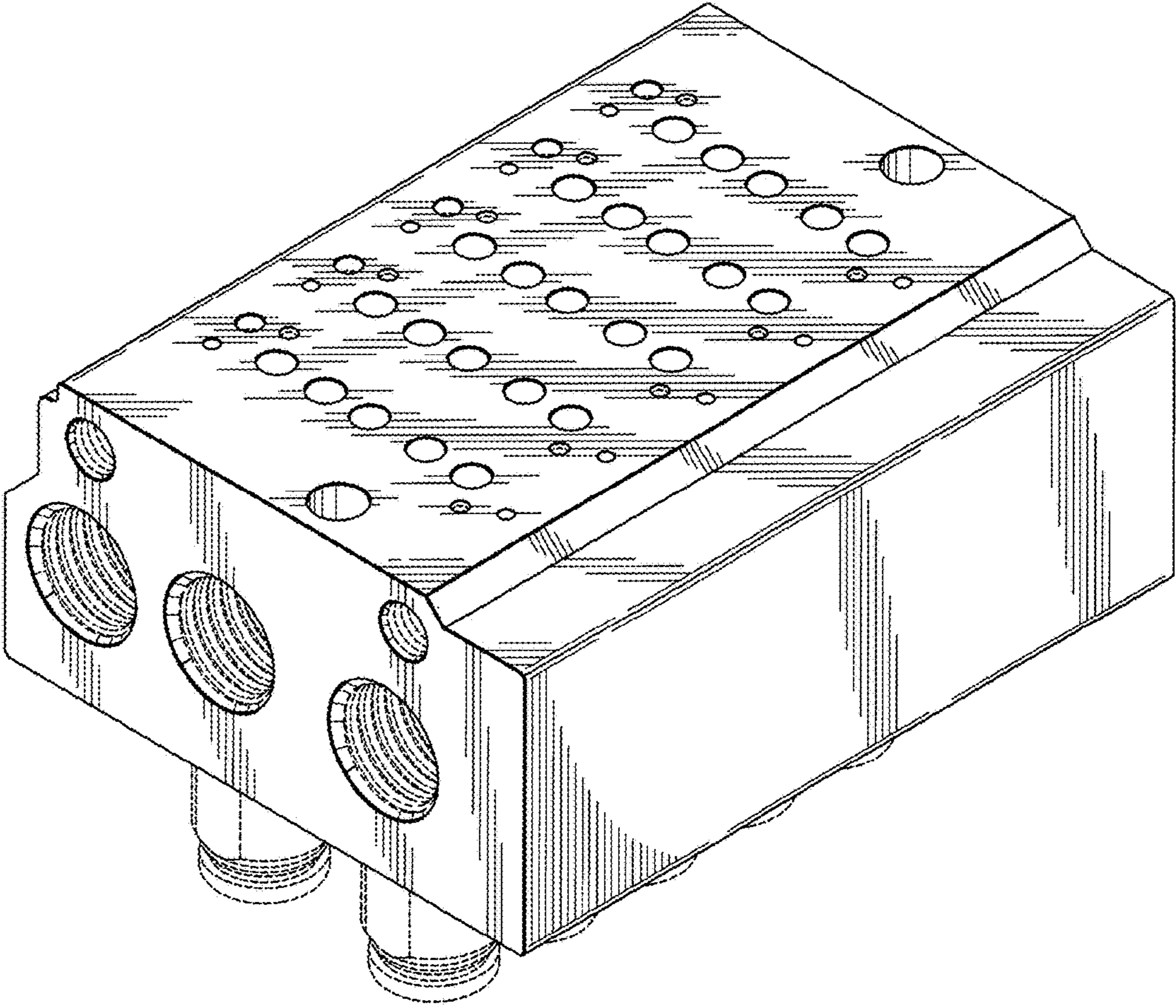


FIG. 1

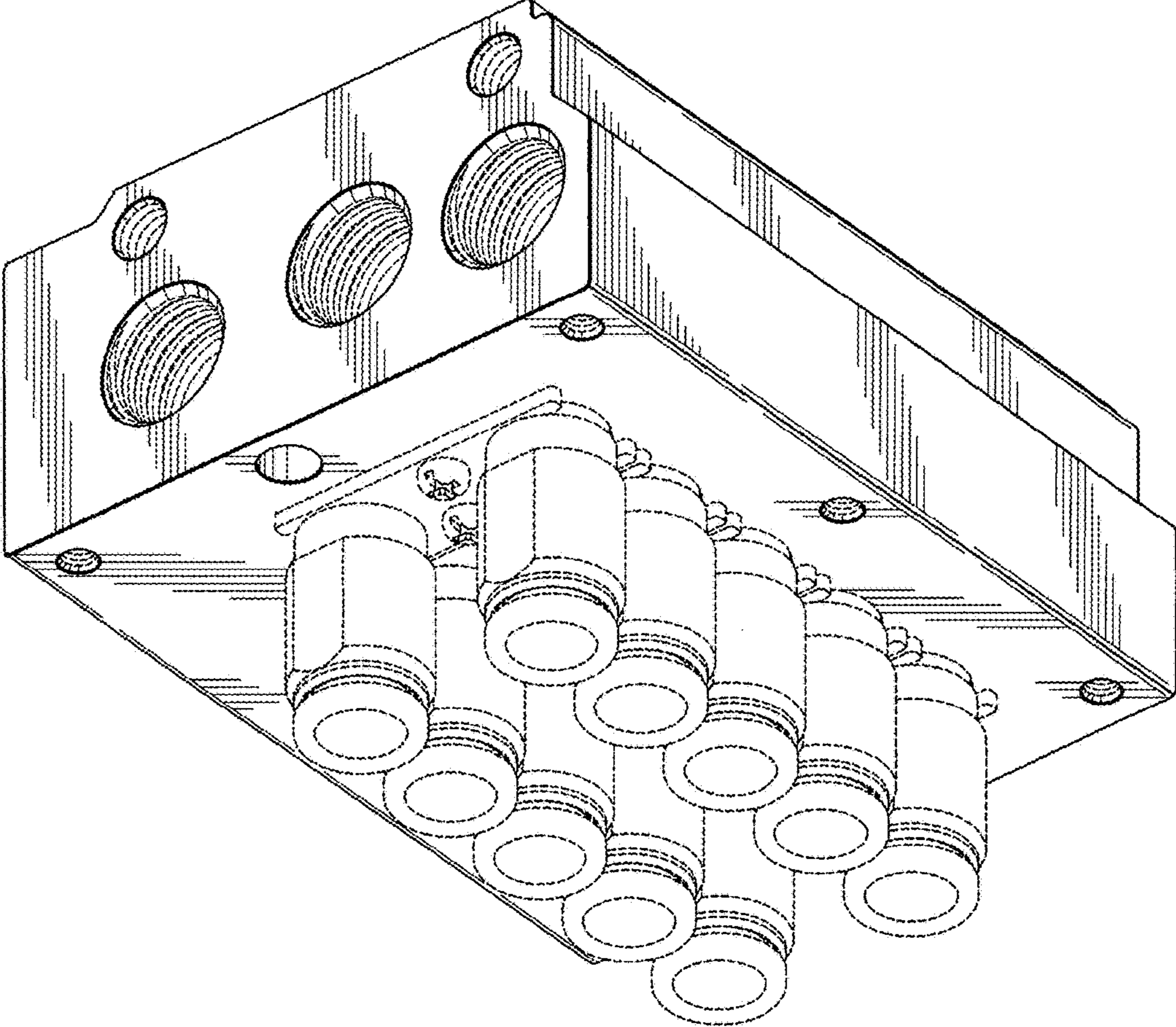


FIG. 2

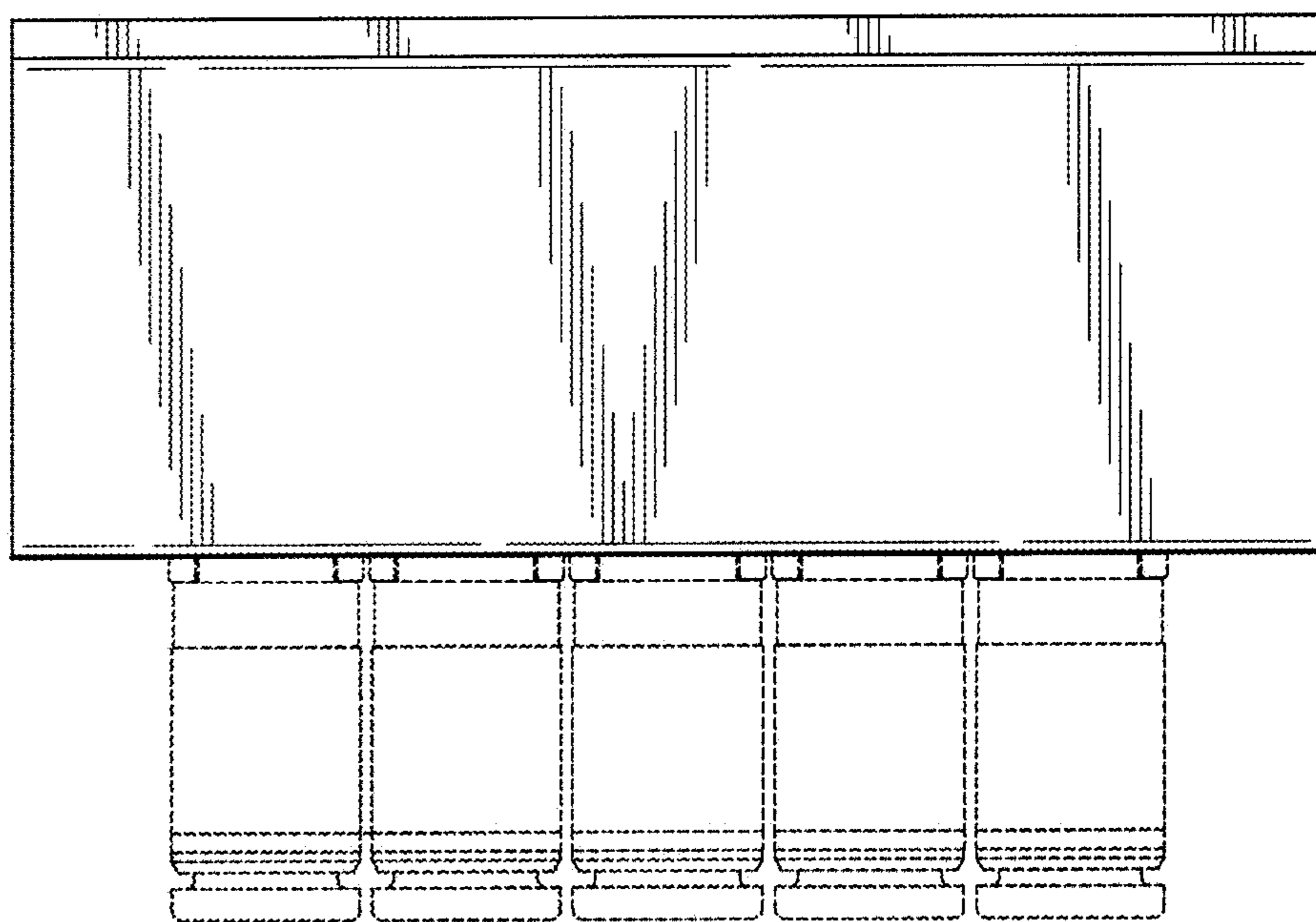


FIG. 3

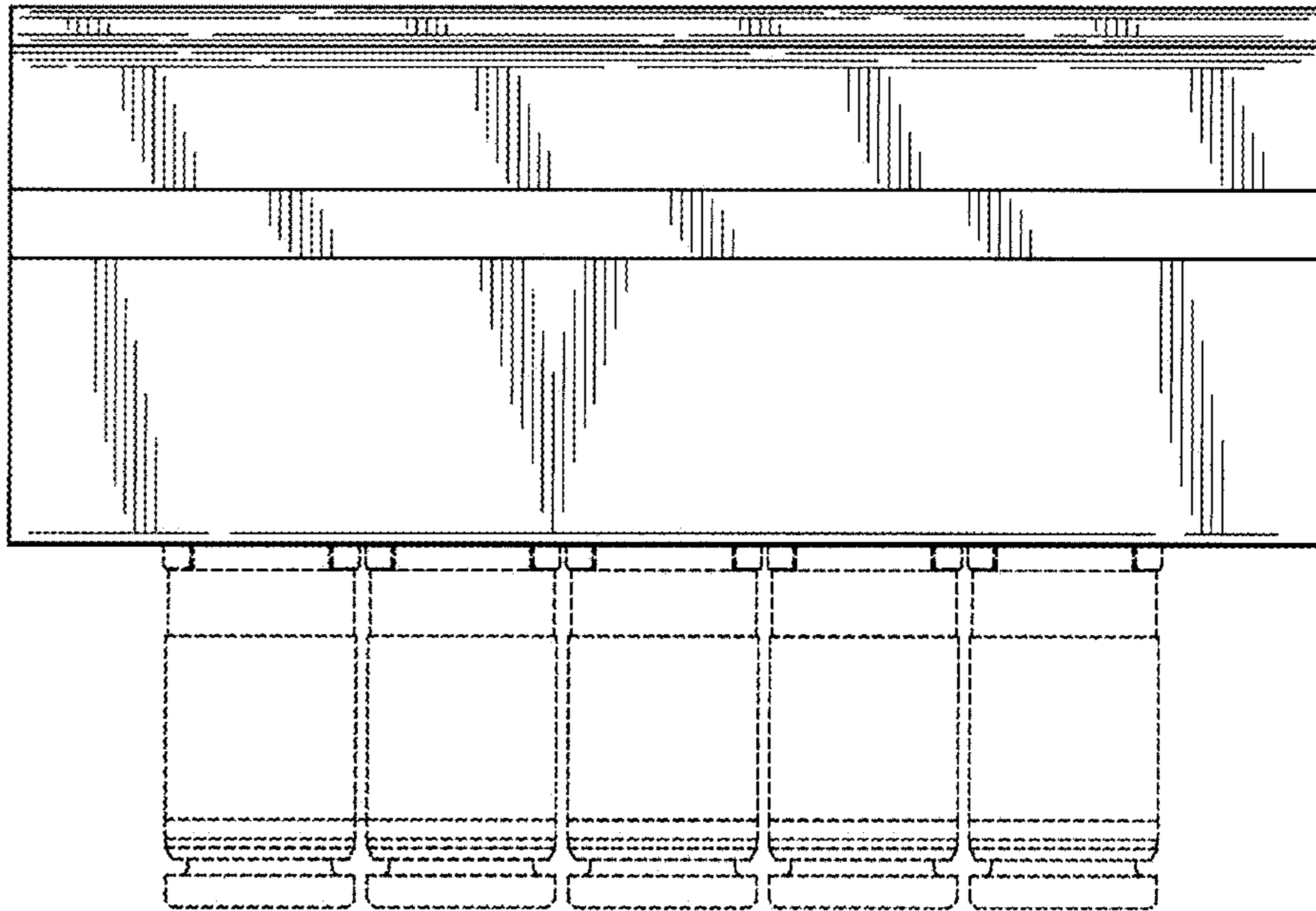


FIG. 4

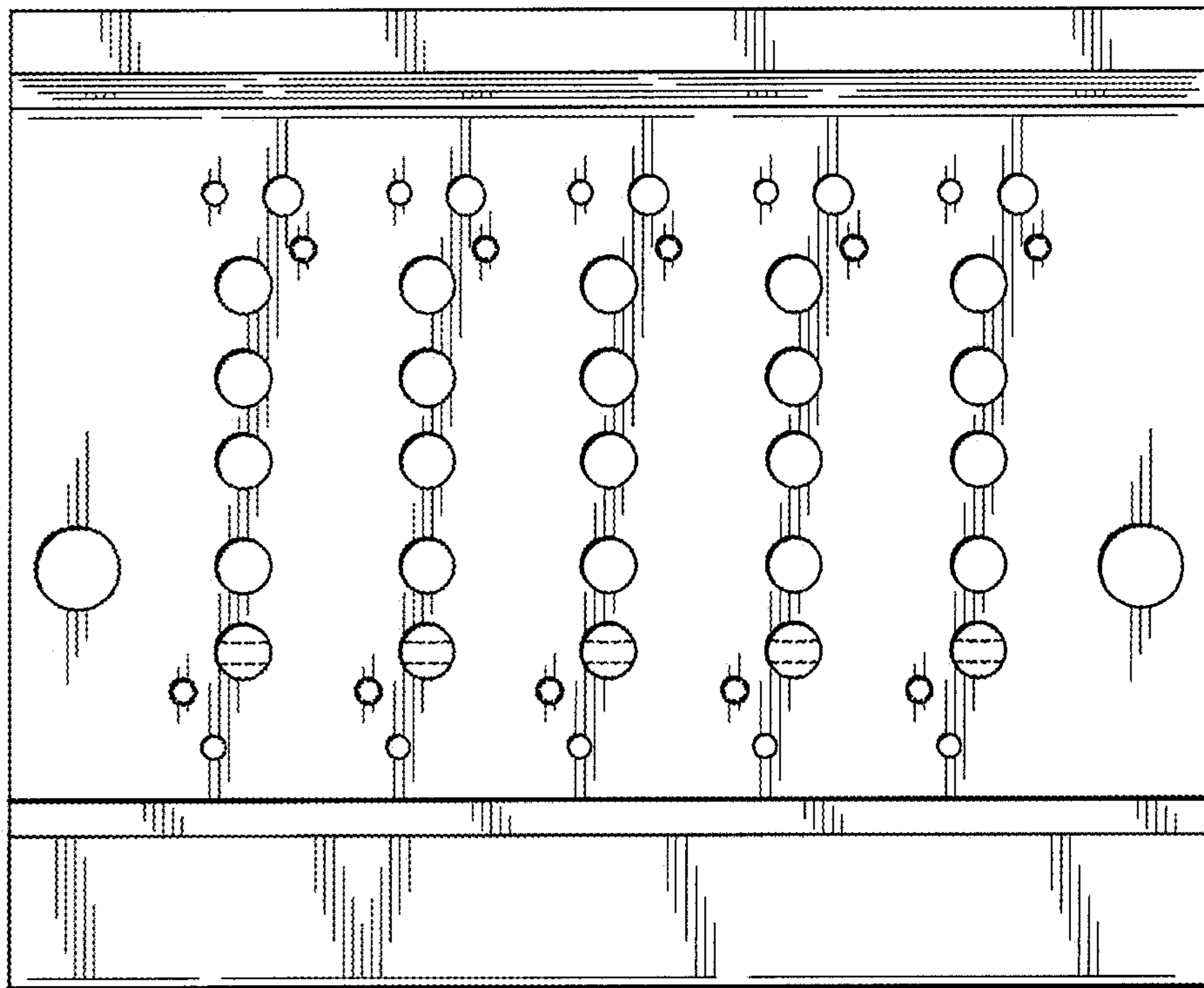


FIG. 5

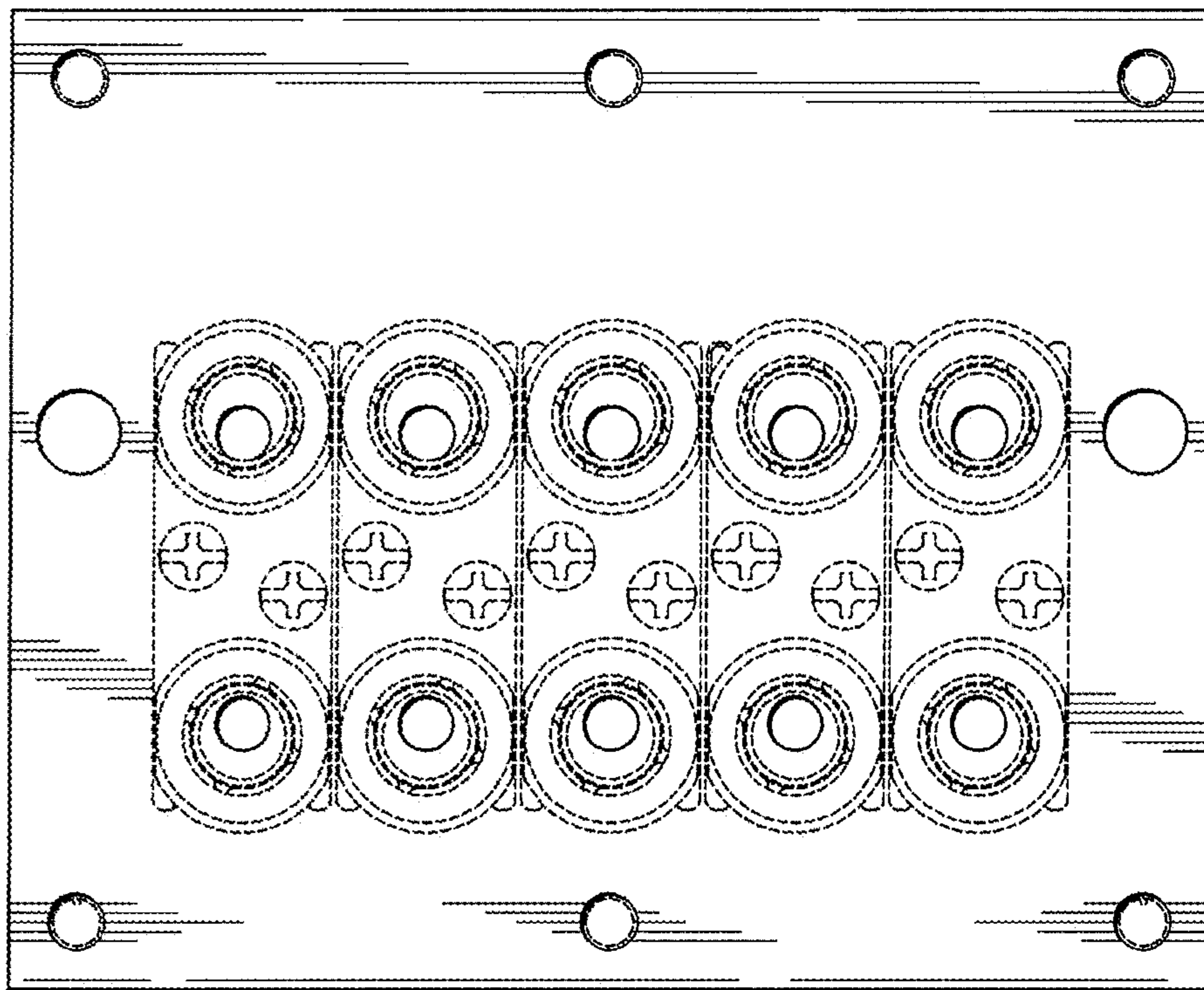


FIG. 6

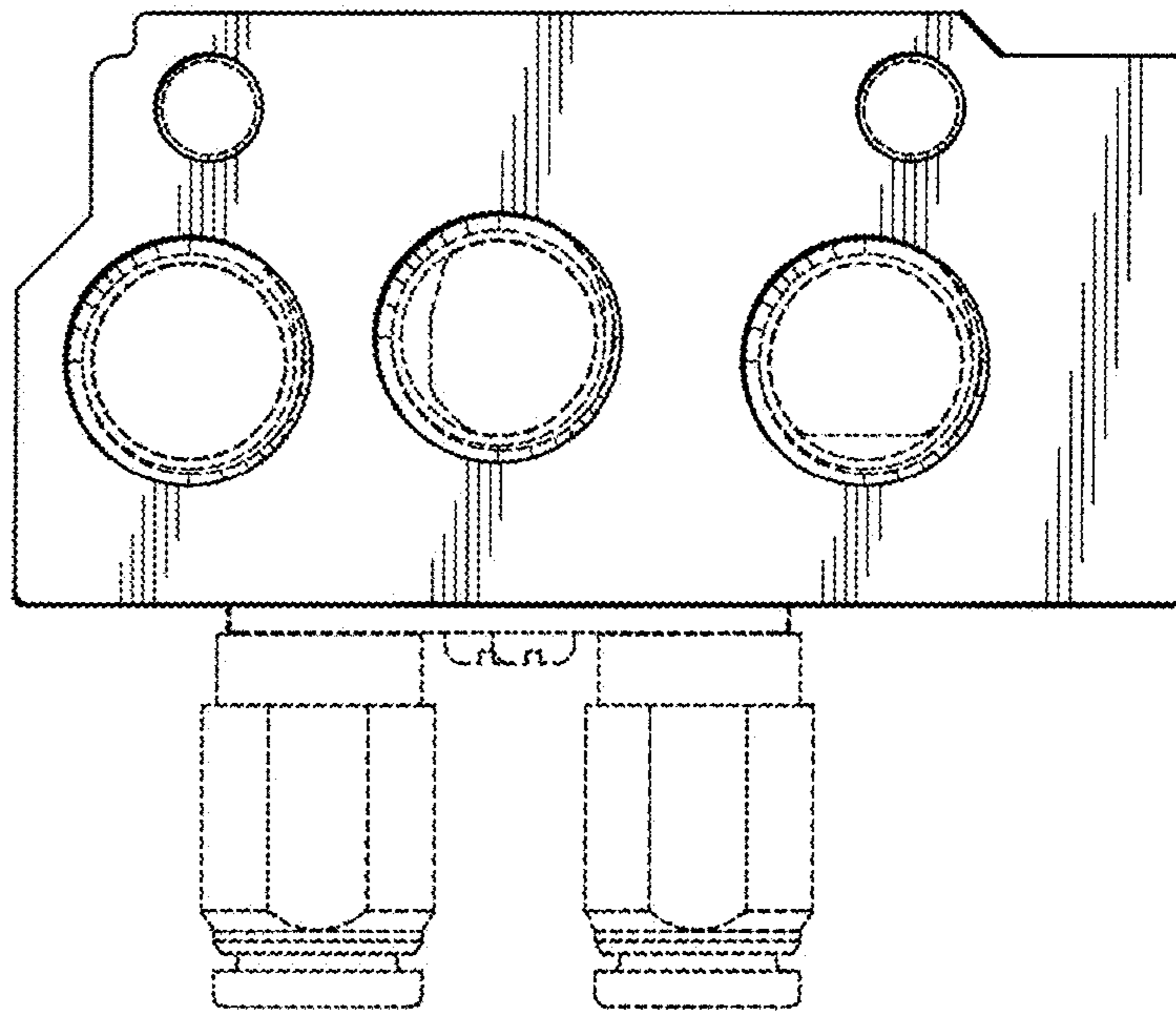


FIG. 7



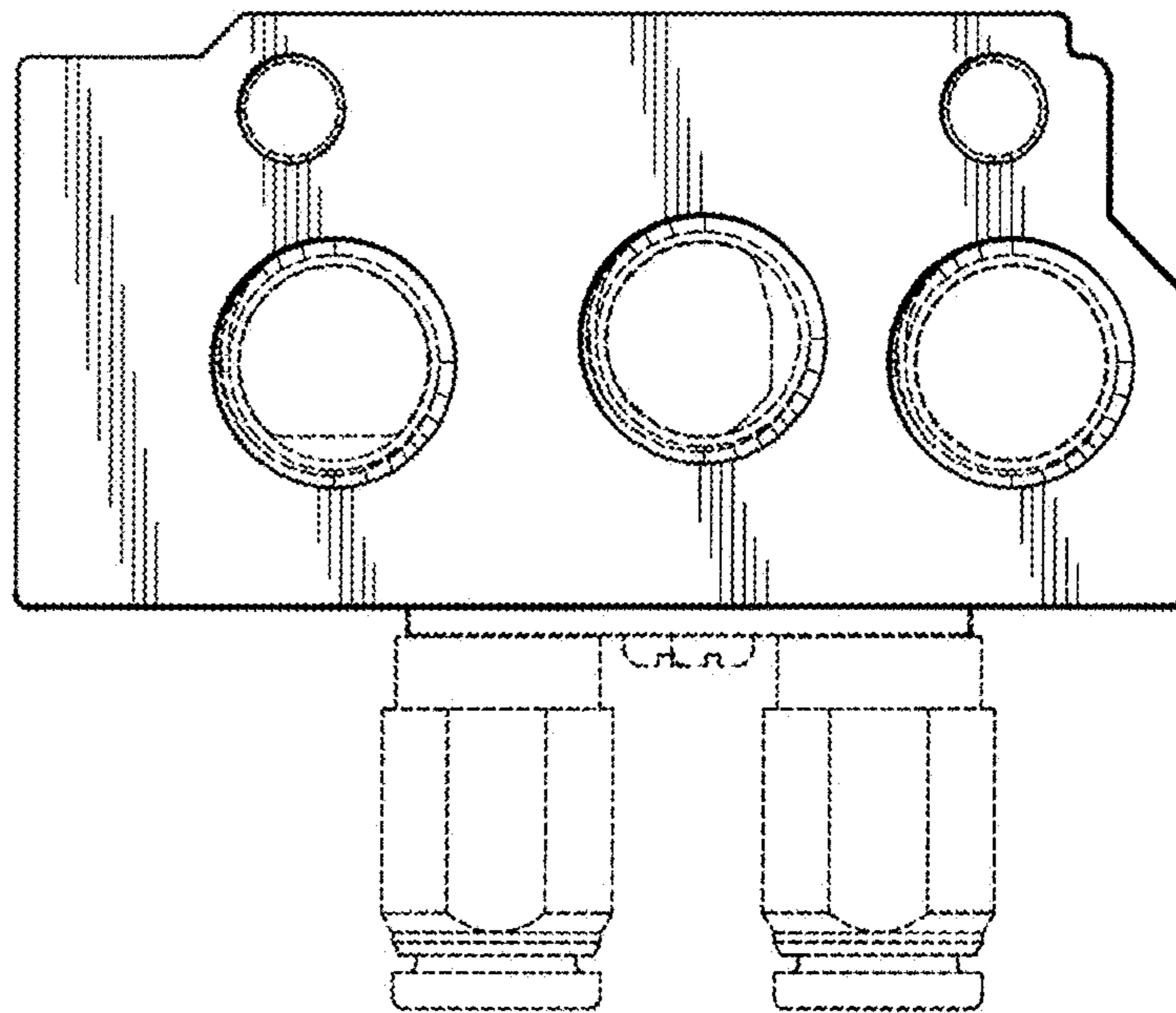


FIG. 8