



US00D827092S

(12) **United States Design Patent** (10) **Patent No.:** **US D827,092 S**  
**Hayakawa et al.** (45) **Date of Patent:** **\*\* Aug. 28, 2018**

(54) **EXPANSION VALVE**

D712,010 S \* 8/2014 Okutsu ..... D23/233  
2012/0192970 A1\* 8/2012 Kobayashi ..... F25B 41/062  
137/468  
2017/0176067 A1\* 6/2017 Satake ..... F16K 1/14

(71) Applicant: **FUJIKOKI CORPORATION**, Tokyo (JP)

(72) Inventors: **Junya Hayakawa**, Tokyo (JP); **Hiroshi Yokota**, Tokyo (JP); **Ryo Matsuda**, Tokyo (JP)

(73) Assignee: **FUJIKOKI CORPORATION**, Tokyo (JP)

(\*\*) Term: **15 Years**

(21) Appl. No.: **29/602,170**

(22) Filed: **Apr. 28, 2017**

(30) **Foreign Application Priority Data**

Nov. 1, 2016 (JP) ..... 2016-023806

(51) **LOC (11) Cl.** ..... **23-01**

(52) **U.S. Cl.**  
USPC ..... **D23/233**

(58) **Field of Classification Search**  
USPC ..... D23/233, 235, 241, 248, 249, 244, 245,  
D23/325; 137/340, 625, 468  
CPC ..... F25B 41/062; F25B 2600/2513; F25B  
2341/065; F25B 2341/068; F16K 31/002;  
F16K 31/02

See application file for complete search history.

(56) **References Cited**

**U.S. PATENT DOCUMENTS**

D415,564 S \* 10/1999 Sendo ..... D23/325  
D649,222 S \* 11/2011 Kobayashi ..... D23/233  
D683,816 S \* 6/2013 Kobayashi ..... D23/233  
D701,292 S \* 3/2014 Kaneko ..... D23/233

**OTHER PUBLICATIONS**

Expansion Valve, www.orbit.com. China Design Registration 304350034, Application Date Apr. 28, 2017. Shown in pp. 1-5. (Year: 2017).\*

Expansion Valve, www.orbit.com. Japan Design Registration D15588868, Application Date Nov. 1, 2016. Shown in pp. 1-3. (Year: 2016).\*

\* cited by examiner

*Primary Examiner* — Cynthia Ramirez

*Assistant Examiner* — Gino Colan

(74) *Attorney, Agent, or Firm* — Manabu Kanesaka

(57) **CLAIM**

The ornamental design for expansion valve, as shown and described.

**DESCRIPTION**

FIG. 1 is a first perspective view of an expansion valve showing our new design;

FIG. 2 is a second perspective view thereof;

FIG. 3 is a front view thereof;

FIG. 4 is a rear view thereof;

FIG. 5 is a right side view thereof, the left side view being a mirror image of FIG. 5;

FIG. 6 is a top view thereof; and,

FIG. 7 is a bottom view thereof.

The dashed broken lines shown in the figures are included for the purpose of illustrating portions of the expansion valve that form no part of the claimed design. The dash-dotted broken lines represent the bounds of the claimed design that form no part of the claimed design.

**1 Claim, 7 Drawing Sheets**

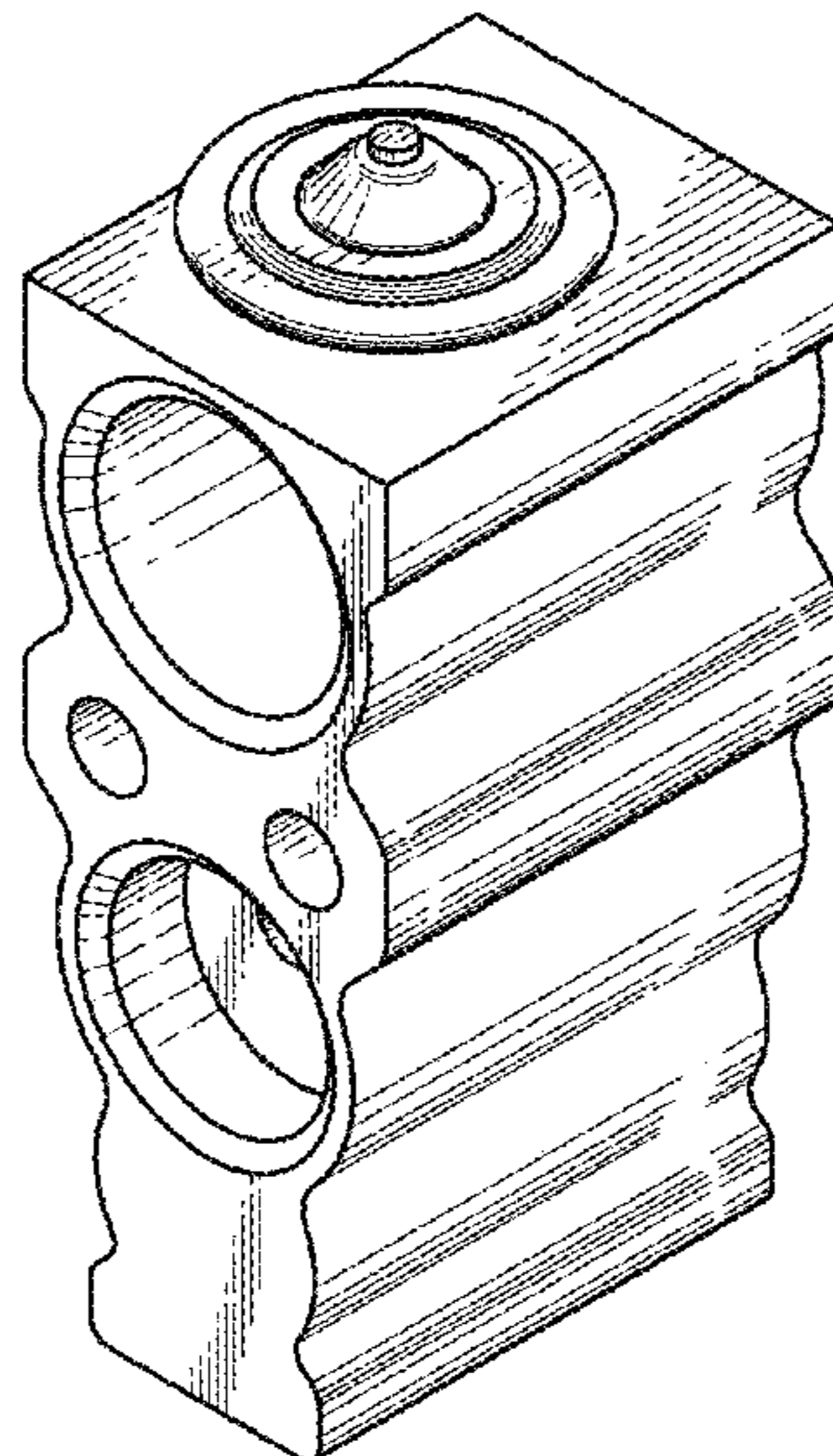


Fig. 1

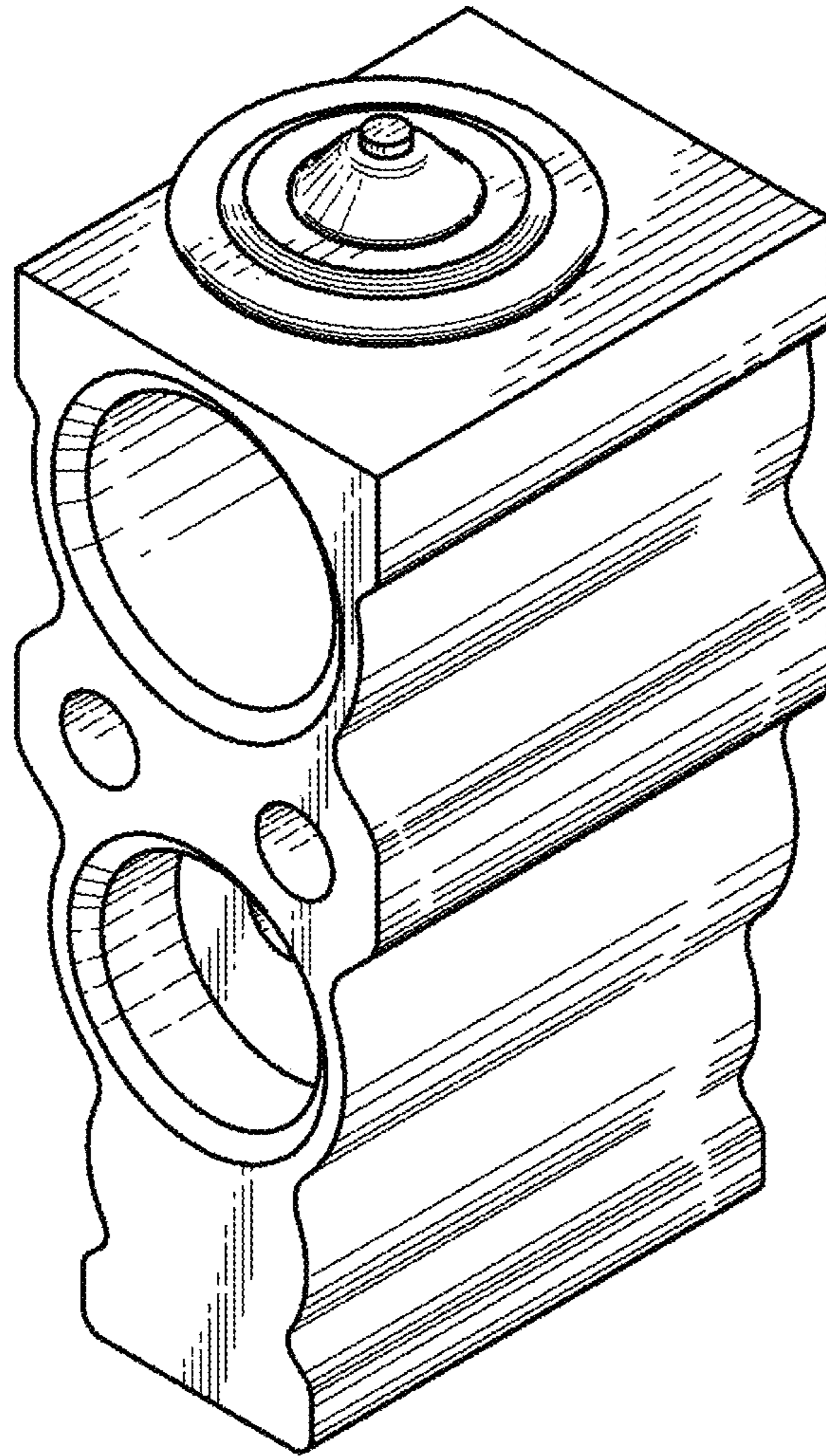


Fig. 2

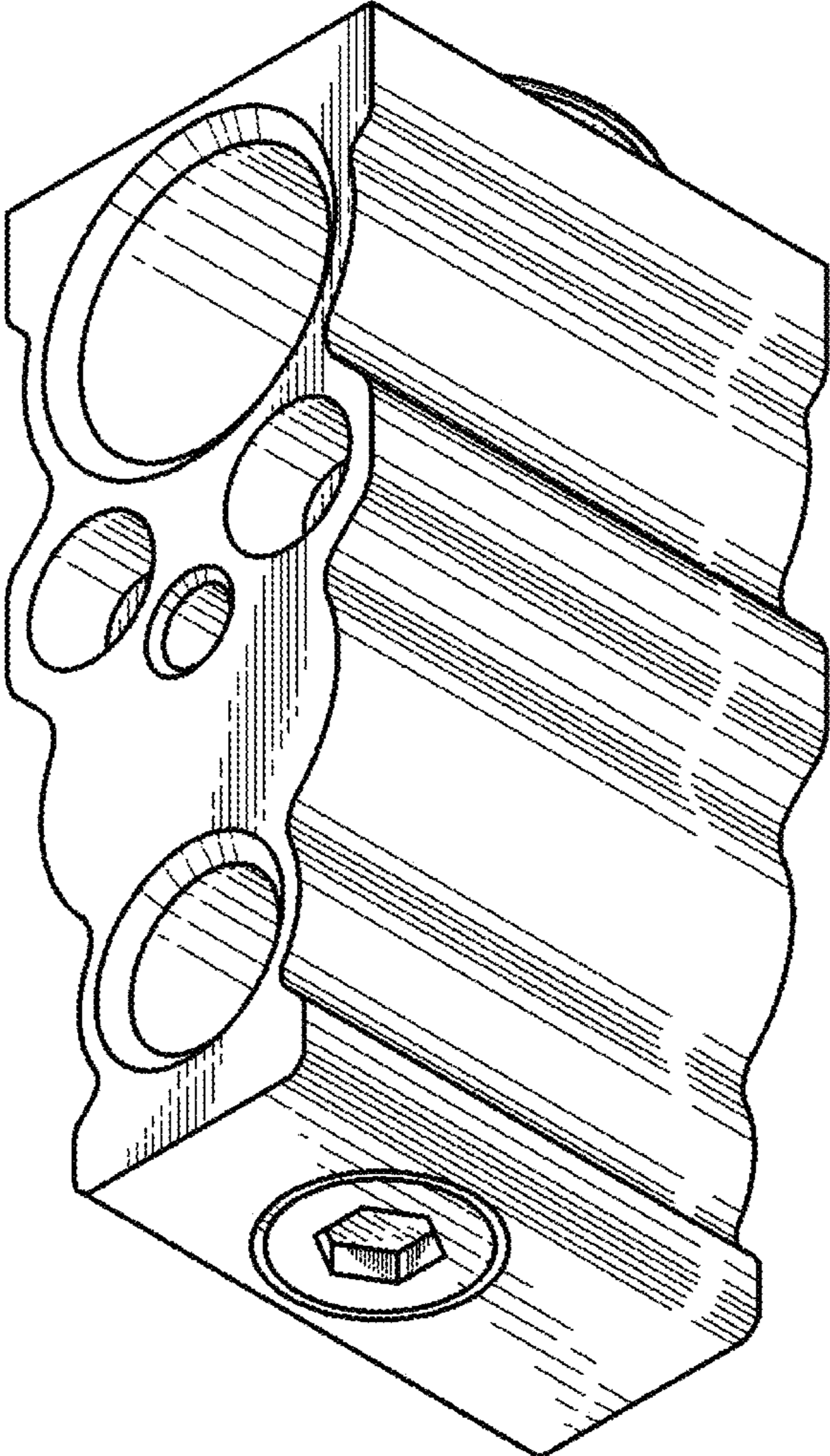


FIG. 3

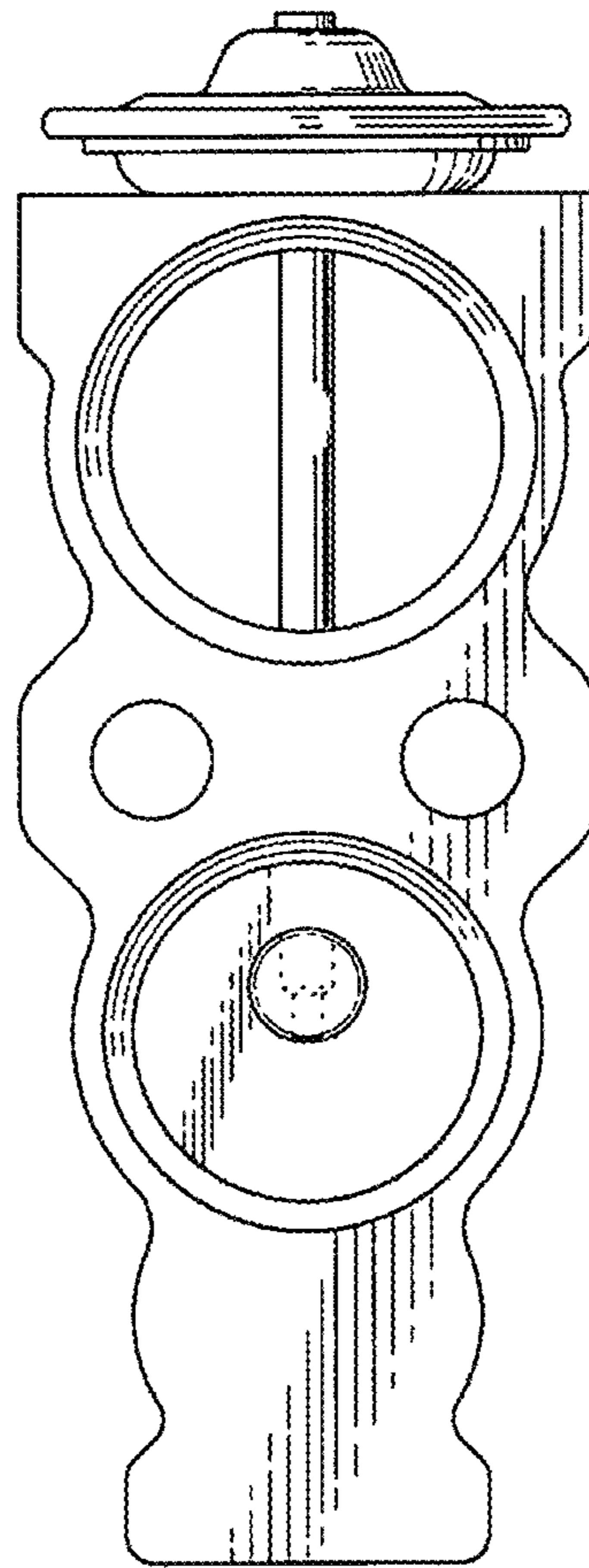


FIG. 4

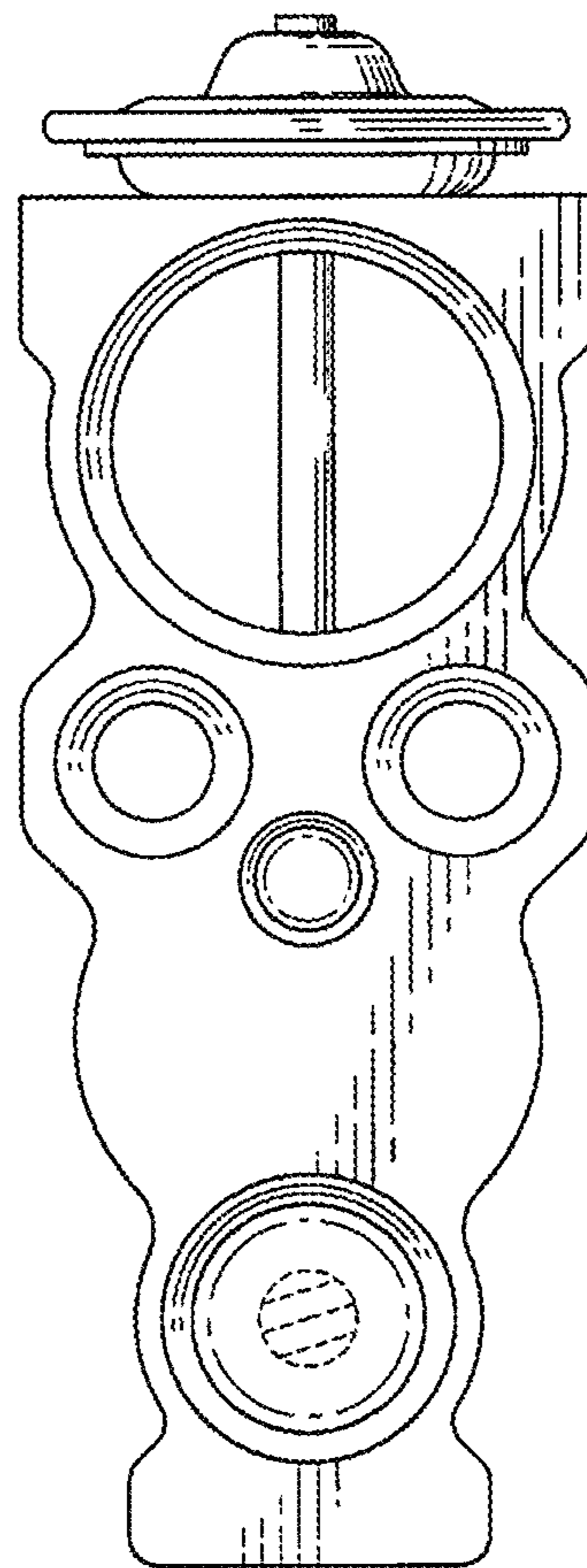


Fig. 5

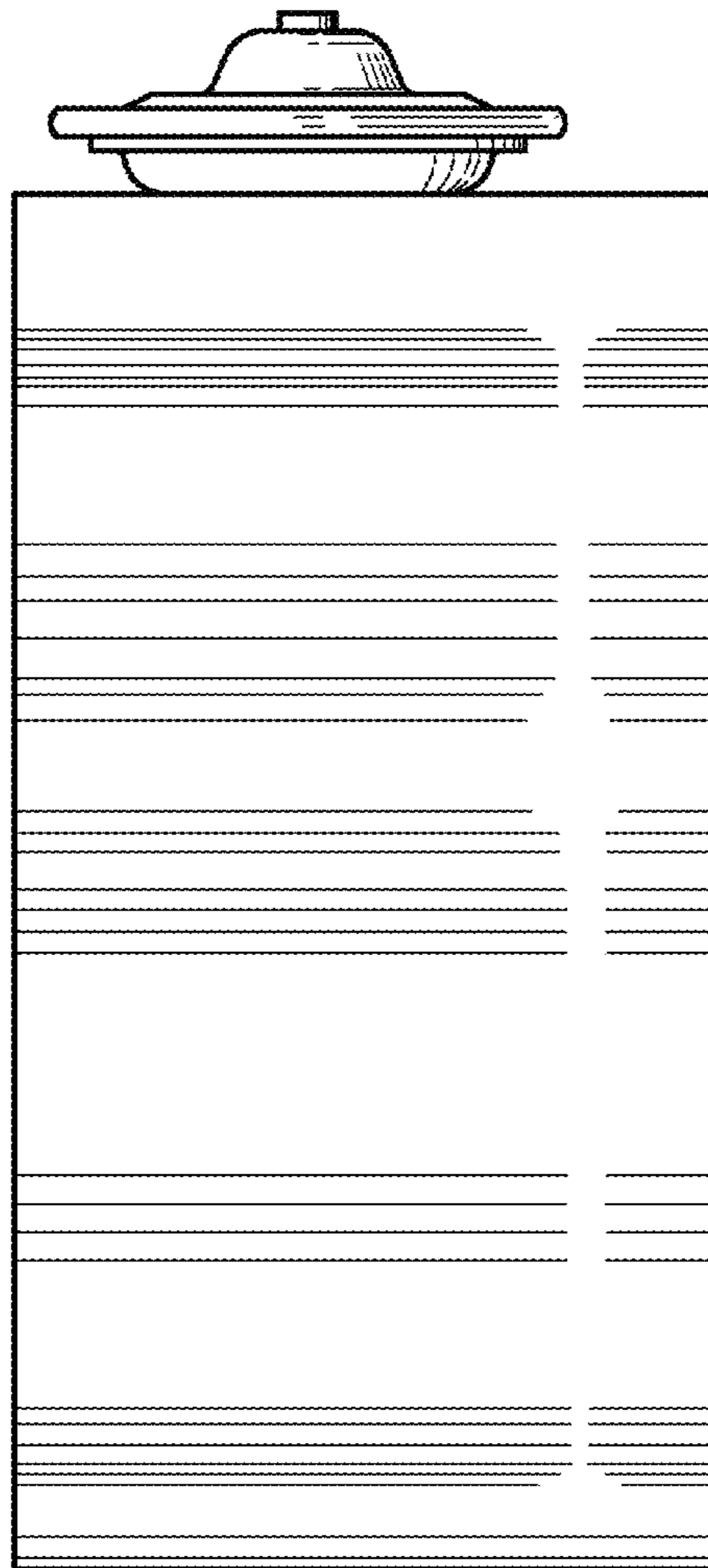


Fig. 6

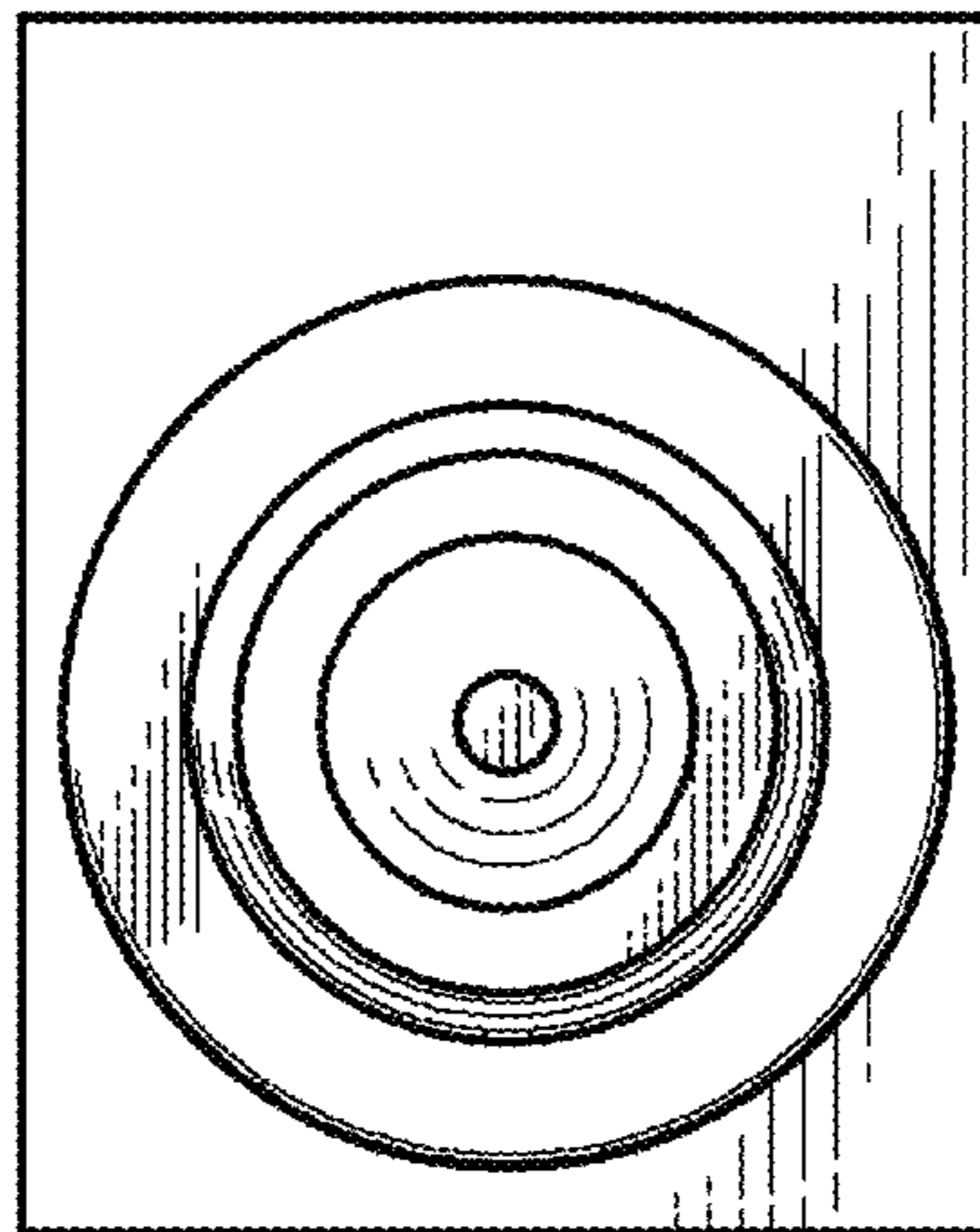


Fig. 7

