



US00D827091S

(12) **United States Design Patent**
Shu

(10) **Patent No.:** **US D827,091 S**

(45) **Date of Patent:** **** Aug. 28, 2018**

(54) **ELECTRONIC EXPANSION VALVE**

(71) Applicant: **Zhejiang Sanhua Intelligent Controls Co., Ltd.**, Shaoxing, Zhejiang (CN)

(72) Inventor: **Xiaohui Shu**, Zhejiang (CN)

(73) Assignee: **Zhejiang Sanhua Intelligent Controls Co., Ltd.**, Shaoxing, Zhejiang (CN)

(**) Term: **15 Years**

(21) Appl. No.: **29/597,639**

(22) Filed: **Mar. 17, 2017**

(30) **Foreign Application Priority Data**

Sep. 22, 2016 (CN) 2016 3 0478477

(51) **LOC (11) Cl.** **23-01**

(52) **U.S. Cl.**
USPC **D23/233**

(58) **Field of Classification Search**

USPC 251/129.01, 129.15, 129.11, 264;
62/222, 115; 137/12, 487.5, 798, 283;
236/92 B; D23/233, 235, 241, 249;
219/121.64

CPC F25B 2341/065; F25B 41/062; F25B
2341/0653; F25B 2600/2513; F16K
31/02; F16K 27/029

See application file for complete search history.

(56) **References Cited**

U.S. PATENT DOCUMENTS

D648,419 S * 11/2011 Shimura D23/233
8,651,456 B2 * 2/2014 Zhan F25B 41/062
251/276

9,810,461 B2 * 11/2017 Zhan F25B 41/062
2014/0091246 A1 * 4/2014 Lv F16K 31/508
251/264
2014/0103238 A1 * 4/2014 Lv F16K 37/0058
251/129.11
2015/0184768 A1 * 7/2015 Zhan F25B 41/062
251/65
2015/0316168 A1 * 11/2015 Lv F16K 31/53
251/129.01
2016/0003369 A1 * 1/2016 Lv F16K 27/10
137/798

* cited by examiner

Primary Examiner — Cynthia Ramirez

Assistant Examiner — Gino Colan

(74) *Attorney, Agent, or Firm* — Wolf, Greenfield & Sacks, P.C.

(57) **CLAIM**

The ornamental design for an electronic expansion valve, as shown and described.

DESCRIPTION

FIG. 1 is a front elevation view of an electronic expansion valve showing my new design;

FIG. 2 is a rear elevation view thereof;

FIG. 3 is a left side elevation view thereof;

FIG. 4 is a right side elevation view thereof;

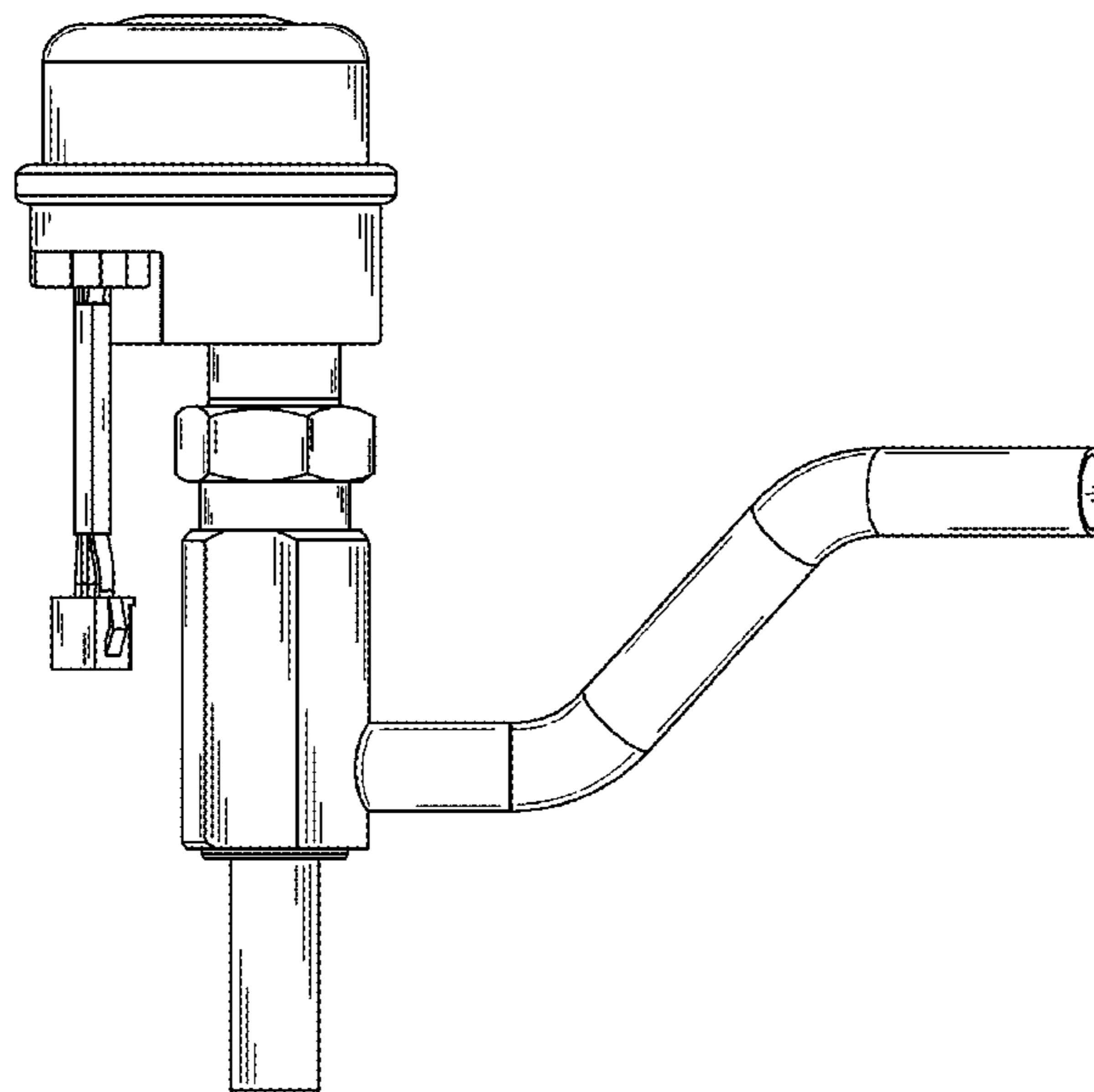
FIG. 5 is a top plan view thereof;

FIG. 6 is a bottom plan view thereof; and,

FIG. 7 is a perspective view thereof.

The broken lines shown in the figures are included for the purpose of illustrating portions of the electronic expansion valve and form no part of the claimed design.

1 Claim, 7 Drawing Sheets



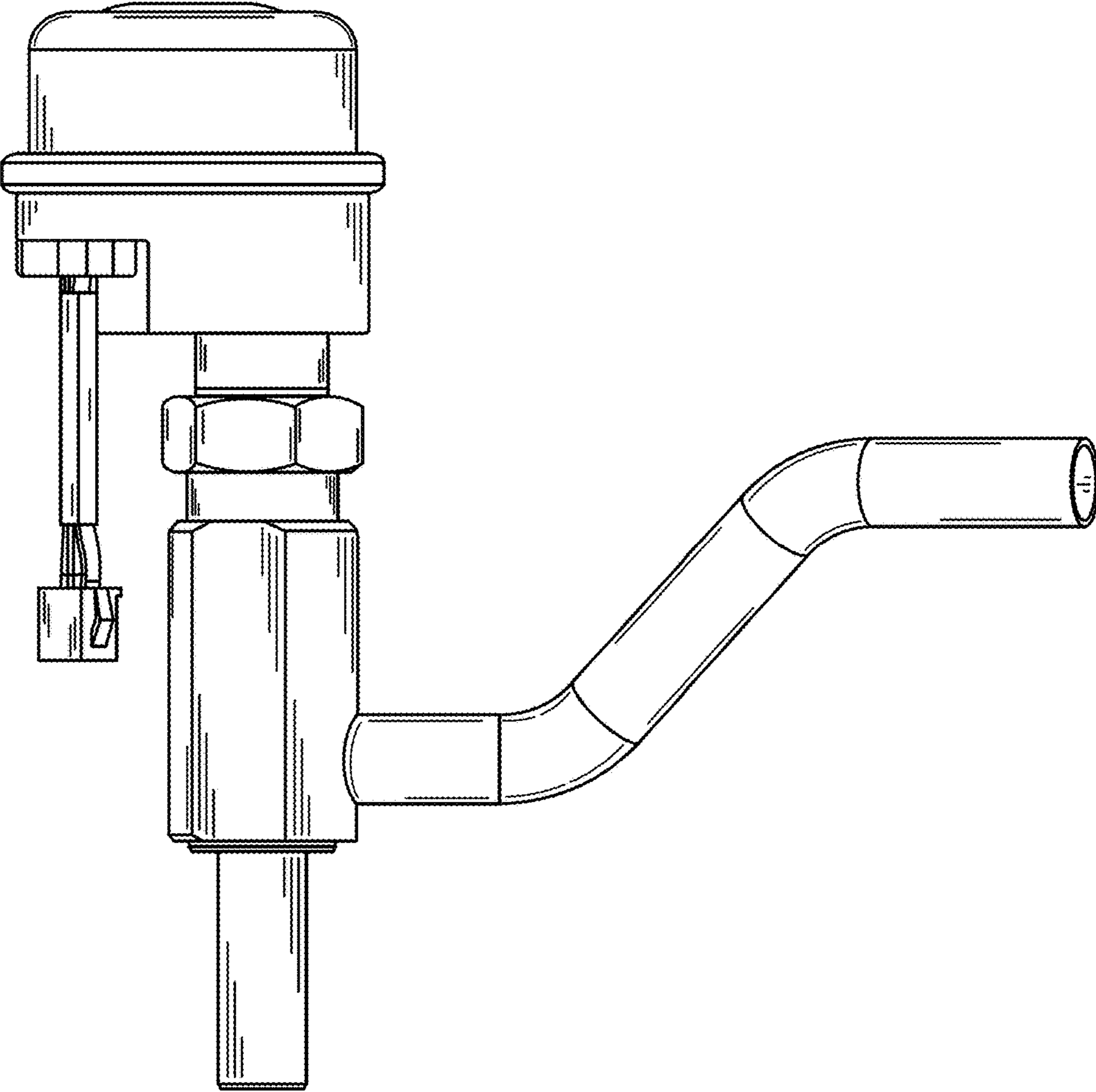


FIG. 1

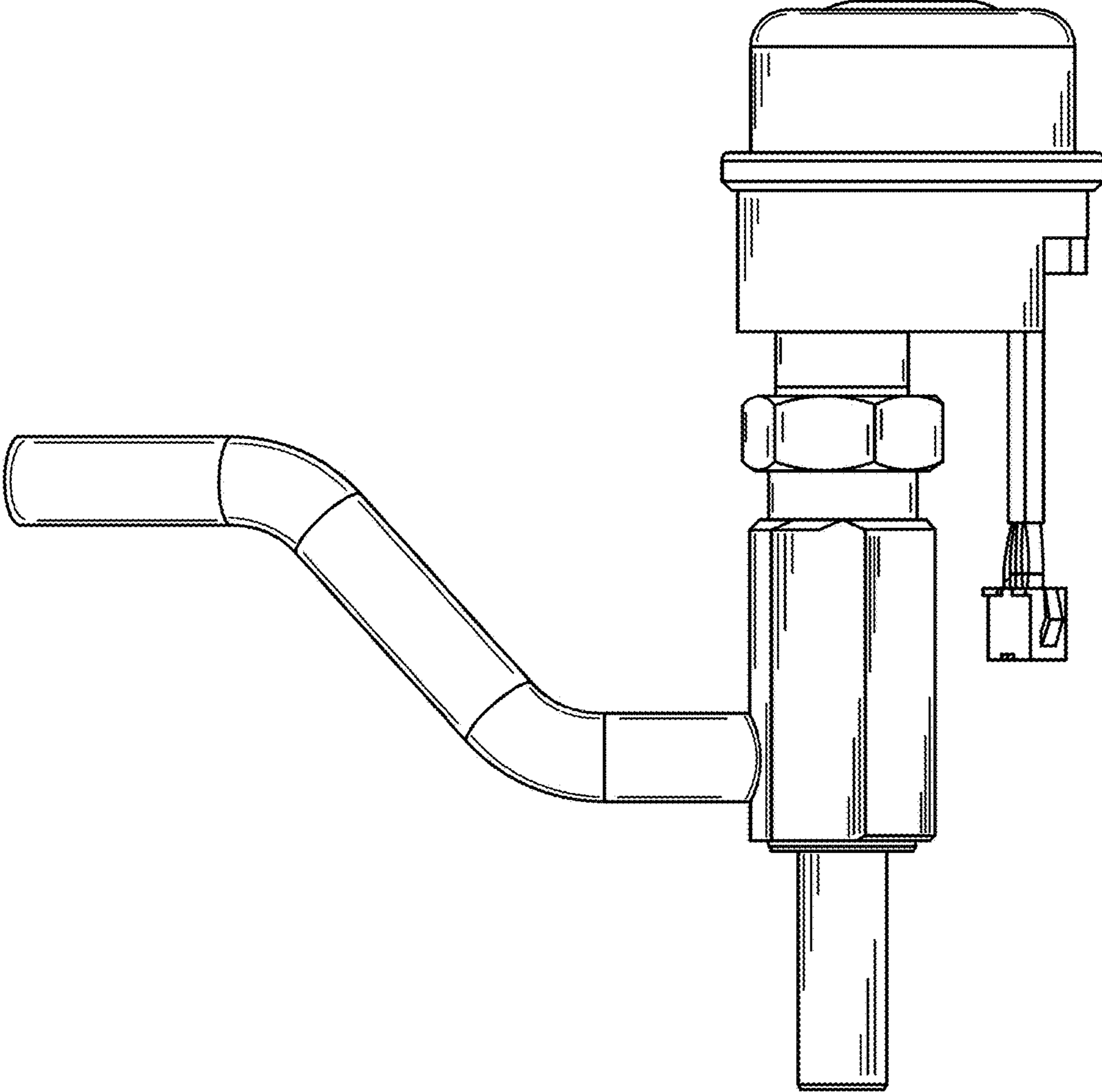


FIG. 2

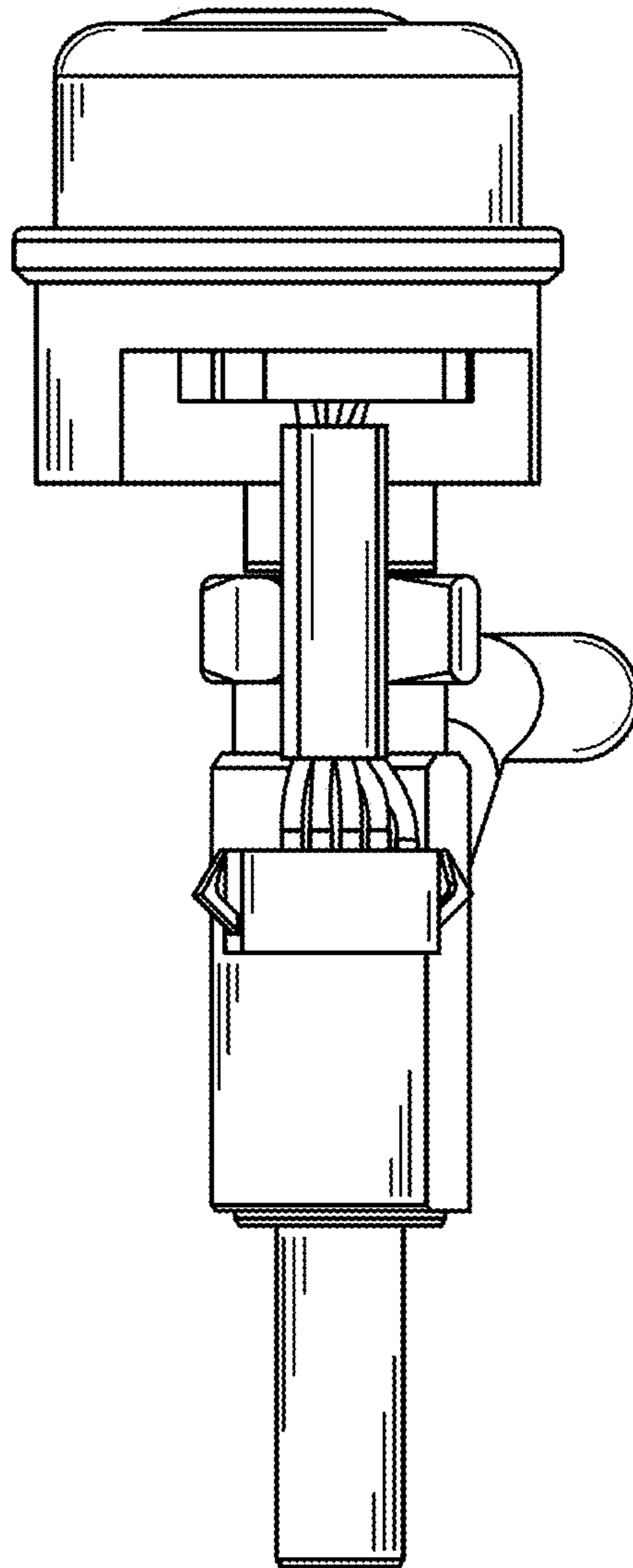


FIG. 3

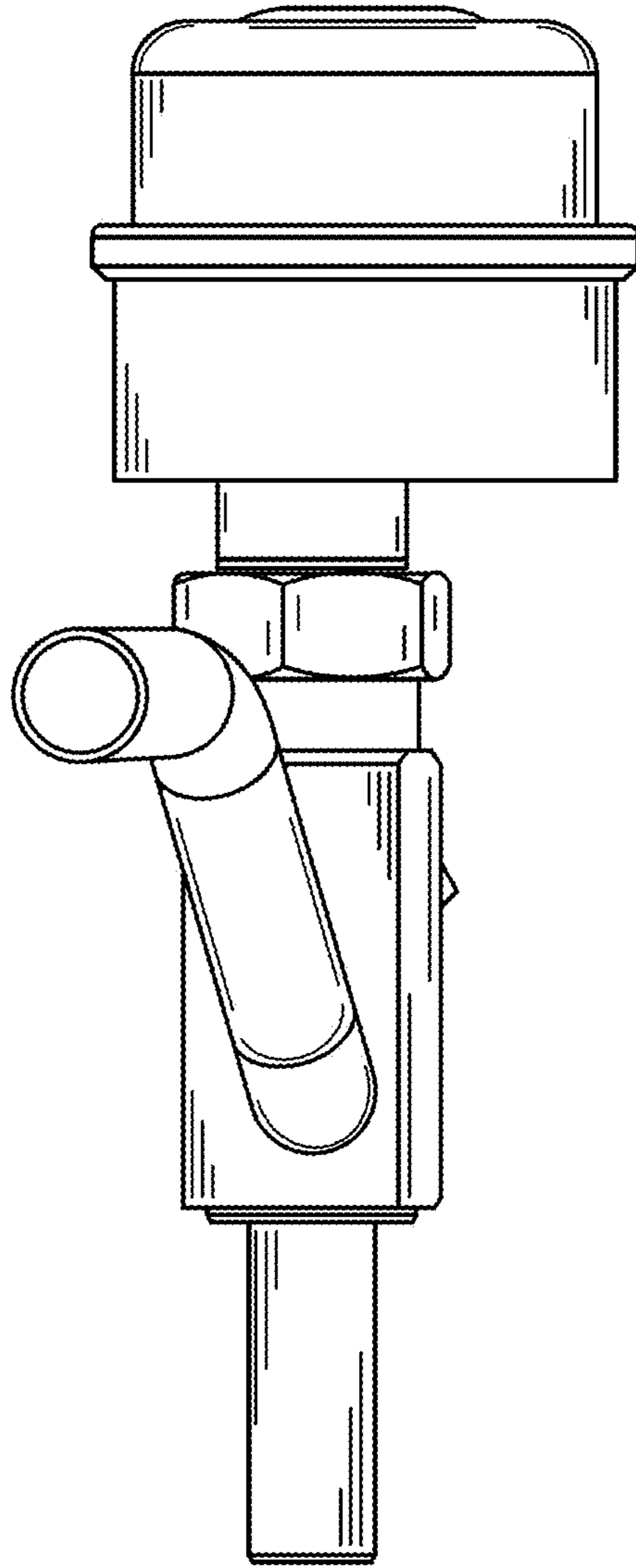


FIG. 4

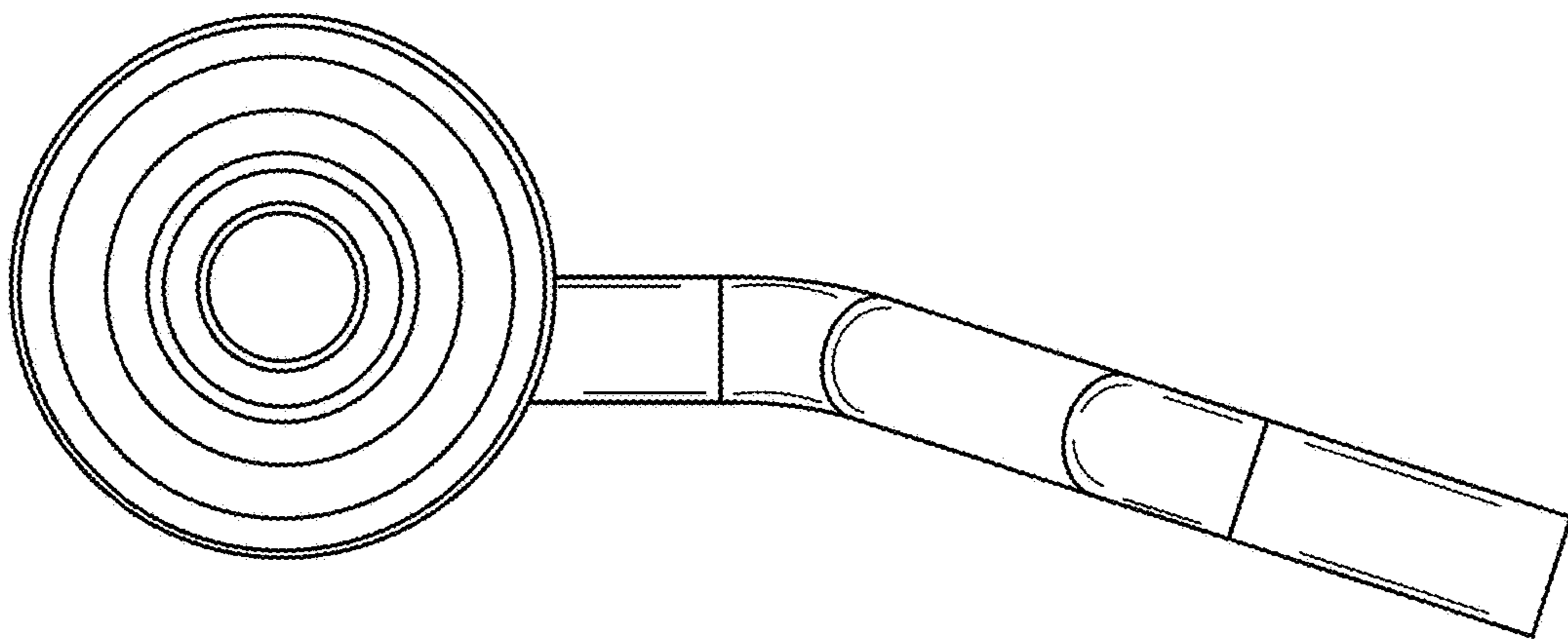


FIG. 5

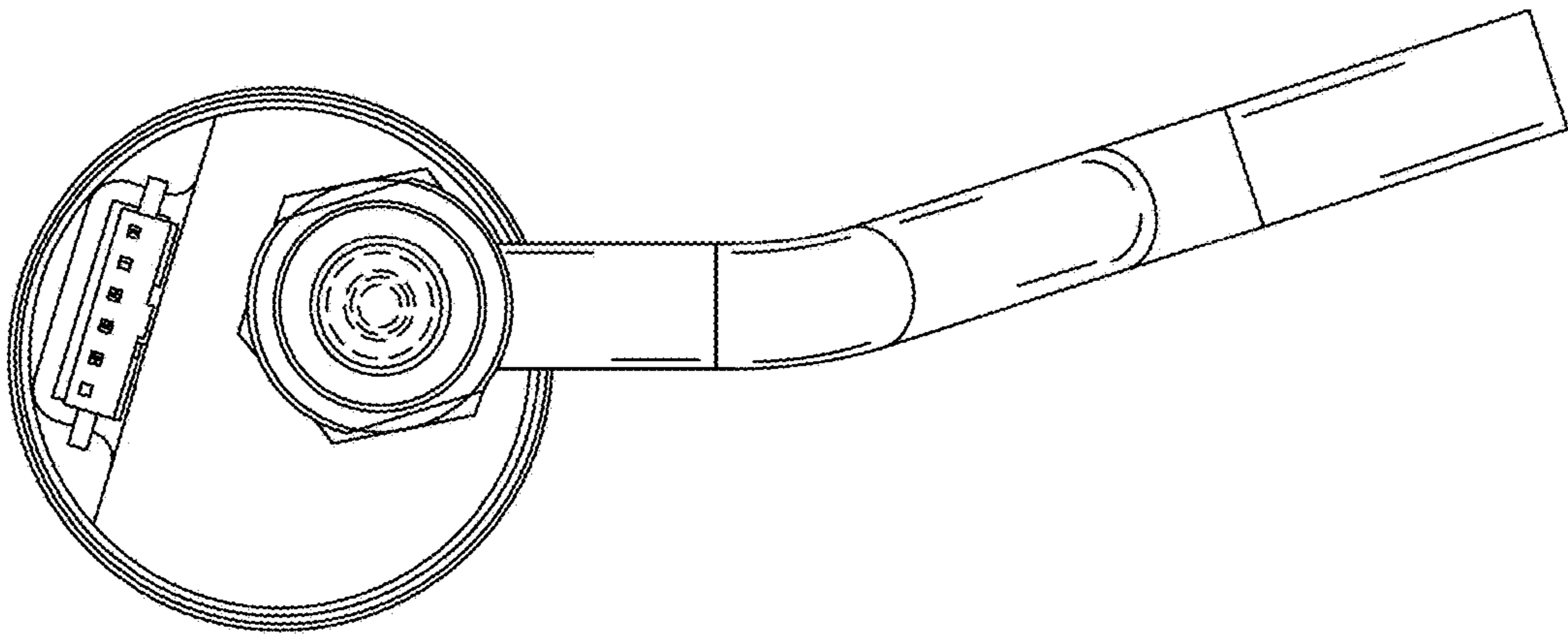


FIG. 6

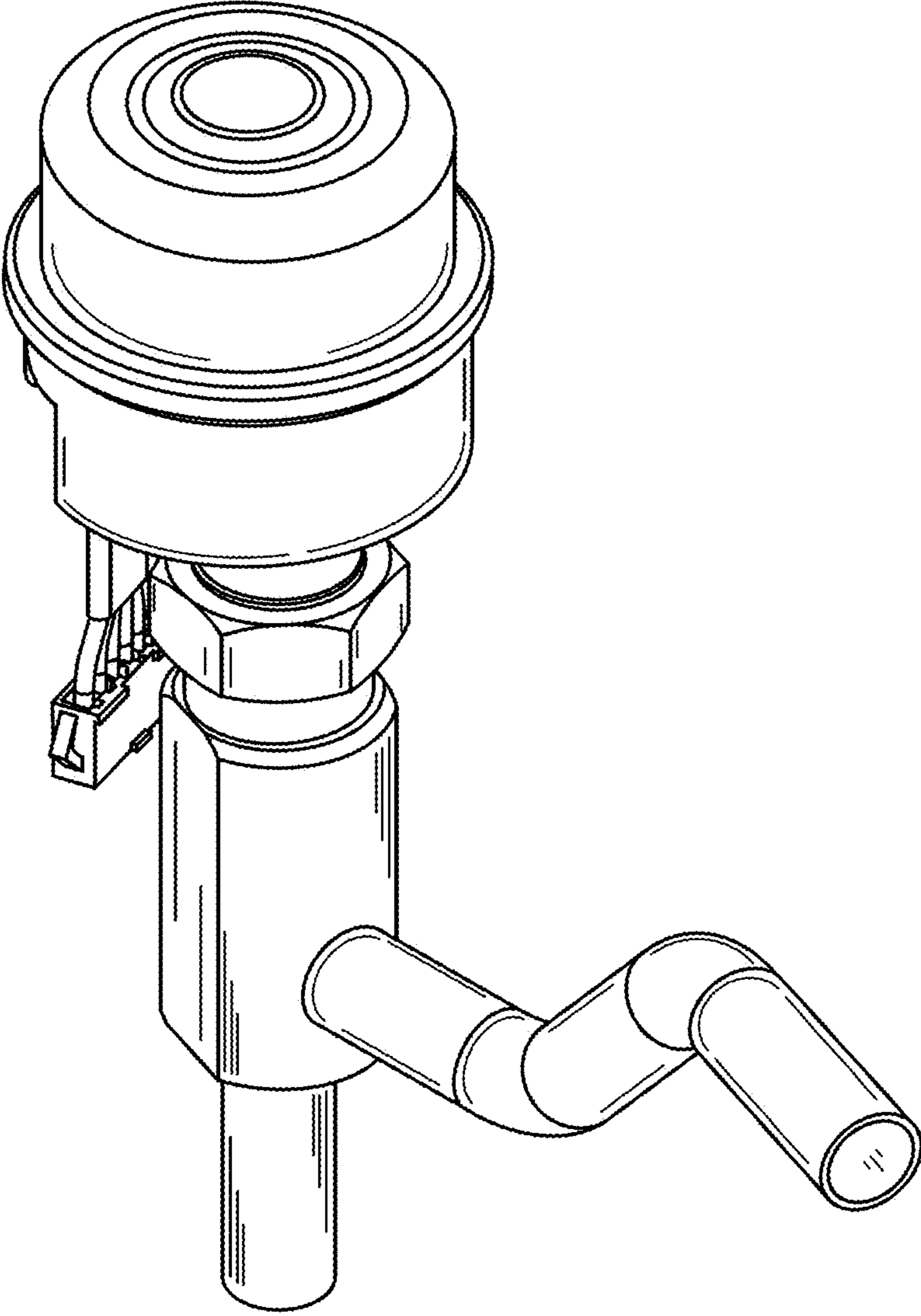


FIG. 7