



US00D827089S

(12) **United States Design Patent**  
**Pope et al.**

(10) **Patent No.:** **US D827,089 S**

(45) **Date of Patent:** **\*\* Aug. 28, 2018**

(54) **WATER SPRINKLER BODY**

(71) Applicant: **FAULTLESS STARCH/BON AMI COMPANY**, Kansas City, MO (US)

(72) Inventors: **Stephen M. Pope**, Lenexa, KS (US);  
**Scott L. Wayland**, Merriam, KS (US)

(73) Assignee: **FAULTLESS STARCH/BON AMI COMPANY**, Kansas City, MO (US)

(\*\*) Term: **15 Years**

(21) Appl. No.: **29/608,900**

(22) Filed: **Jun. 27, 2017**

(51) **LOC (11) Cl.** ..... **23-01**

(52) **U.S. Cl.**  
USPC ..... **D23/219**

(58) **Field of Classification Search**  
USPC ..... D23/213–221; 239/556, 566, 548, 273,  
239/276, 242  
CPC .. B05B 1/18; B05B 1/14; B05B 1/185; B05B  
3/0486; B05B 15/062; B05B 3/044; E03C  
1/06; A01G 29/00  
See application file for complete search history.

(56) **References Cited**

**U.S. PATENT DOCUMENTS**

D151,118 S \* 9/1948 Borgerson ..... D23/219  
D151,772 S \* 11/1948 Kemp ..... D23/221  
D194,656 S \* 2/1963 Cornwell ..... D23/219  
D195,078 S \* 4/1963 Belmert ..... D23/221

D205,435 S \* 8/1966 Reed ..... D23/221  
D218,969 S \* 10/1970 Mango et al. .... D23/221  
D391,625 S \* 3/1998 Sabatta ..... D23/219

\* cited by examiner

*Primary Examiner* — Robin V Webster  
(74) *Attorney, Agent, or Firm* — Stinson Leonard Street  
LLP

(57) **CLAIM**

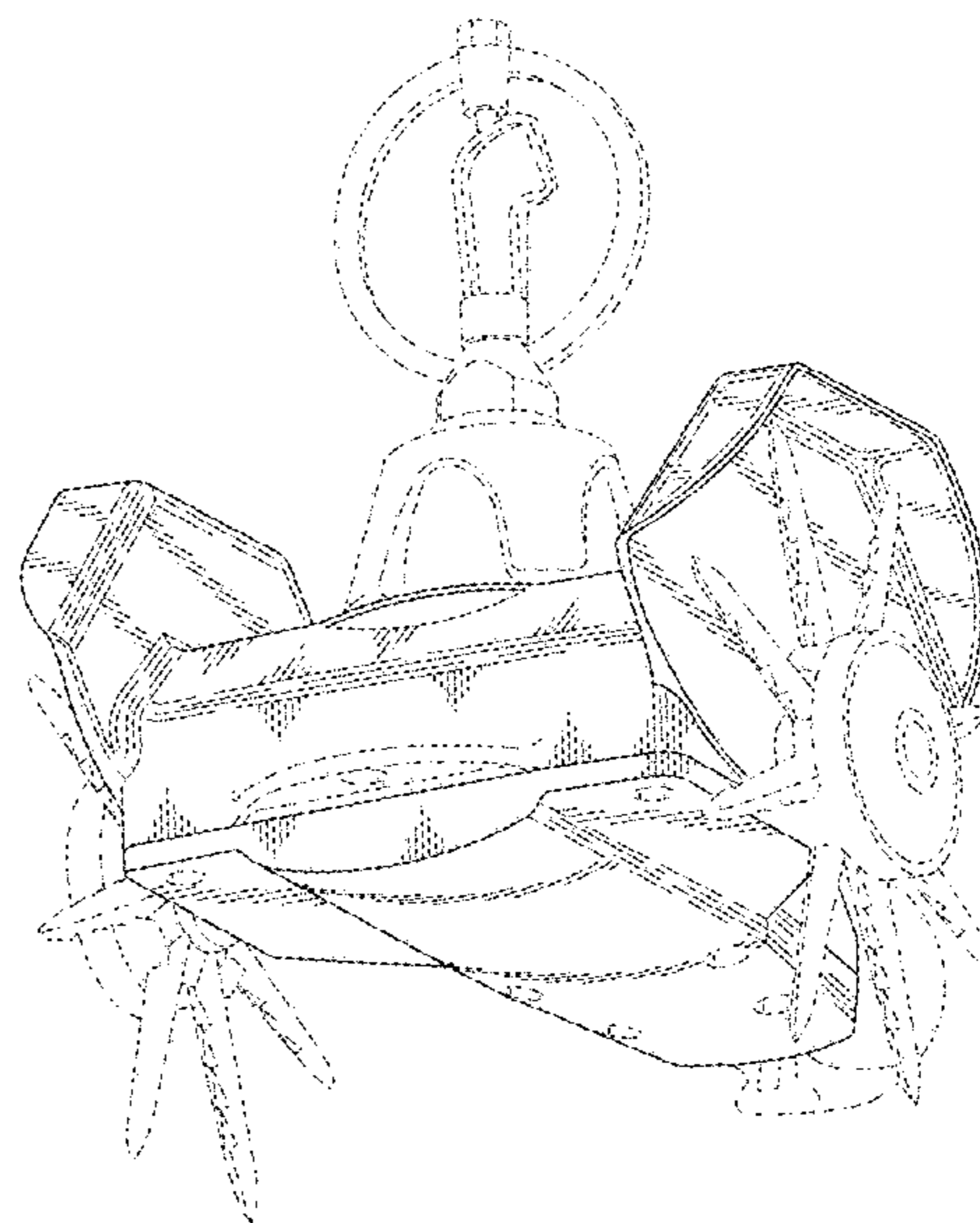
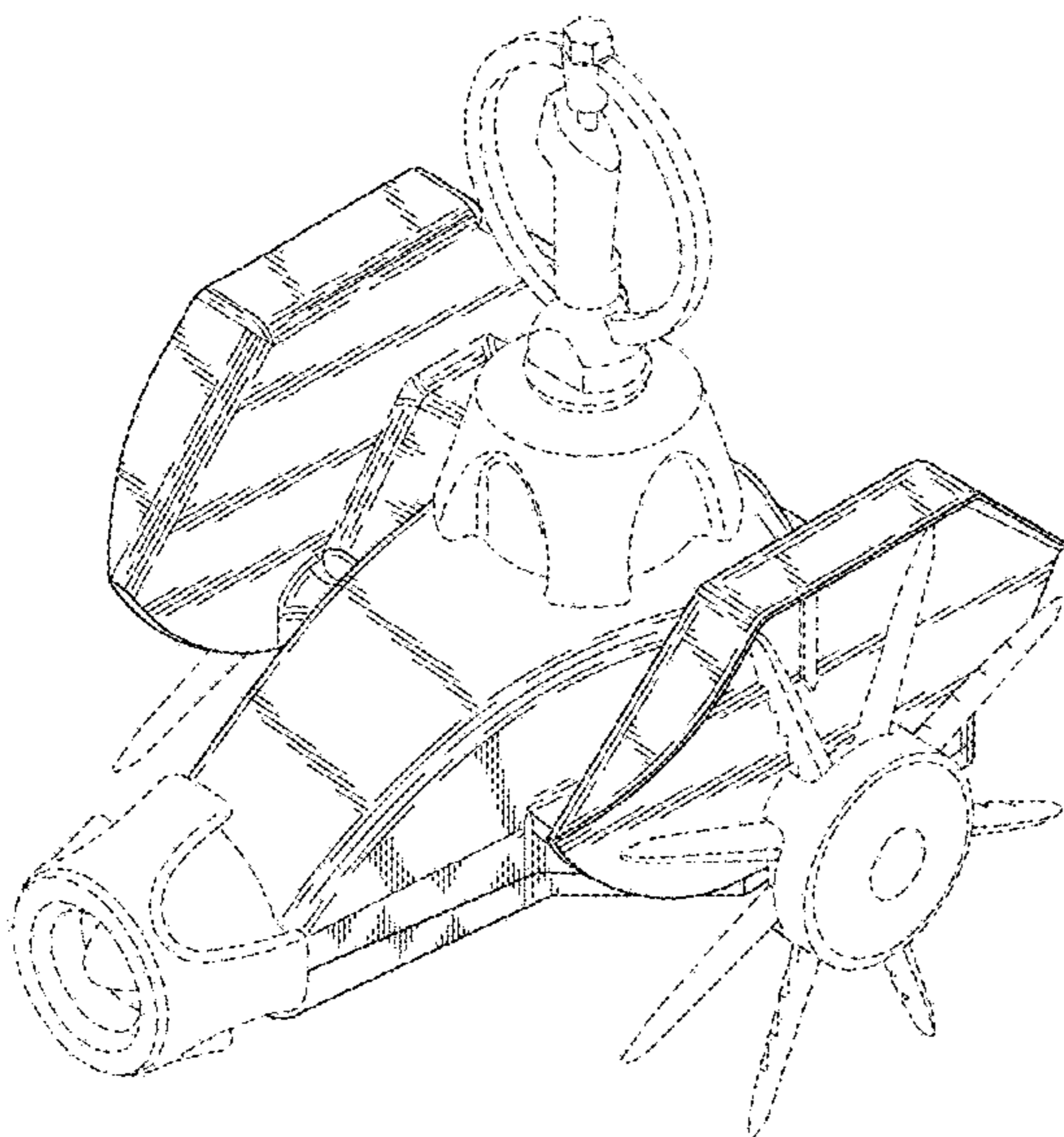
The ornamental design for a water sprinkler body, as shown and described.

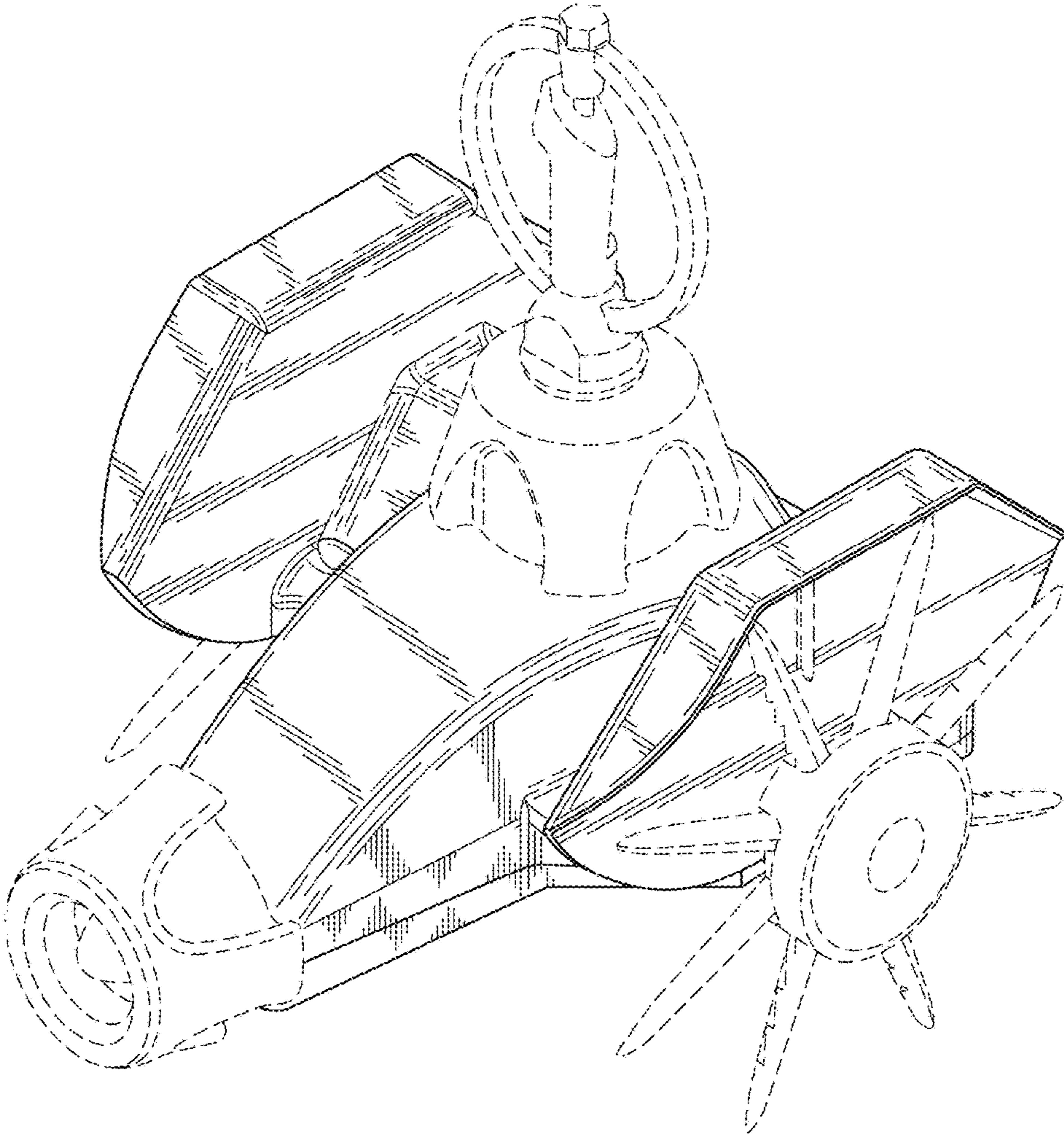
**DESCRIPTION**

FIG. 1 is a front perspective view of the water sprinkler body showing certain features in broken lines;  
FIG. 2 is a rear perspective view of the water sprinkler body of FIG. 1 showing certain features in broken lines;  
FIG. 3 is a front perspective view of the water sprinkler body of FIG. 1 not showing the features in broken lines;  
FIG. 4 is a front elevational view of the water sprinkler body of FIG. 3;  
FIG. 5 is a left side elevational view of the water sprinkler body of FIG. 3;  
FIG. 6 is a right side elevational view of the water sprinkler body of FIG. 3;  
FIG. 7 is a rear elevational view of the water sprinkler body of FIG. 3;  
FIG. 8 is a top plan view of the water sprinkler body of FIG. 3; and,  
FIG. 9 is a bottom plan view of the water sprinkler body of FIG. 3.

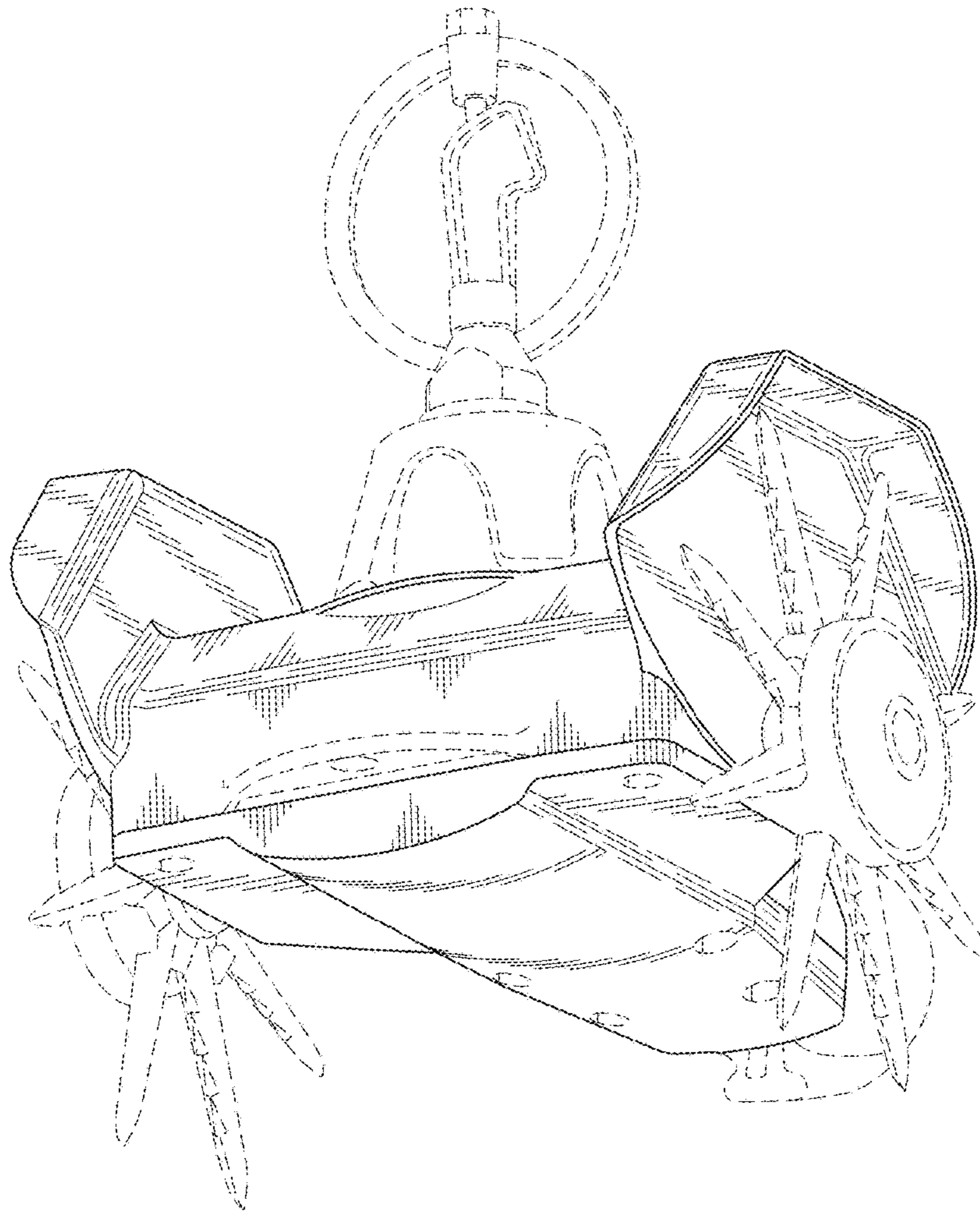
The broken lines shown illustrate portions of the water sprinkler body and form no part of the claimed design.

**1 Claim, 6 Drawing Sheets**



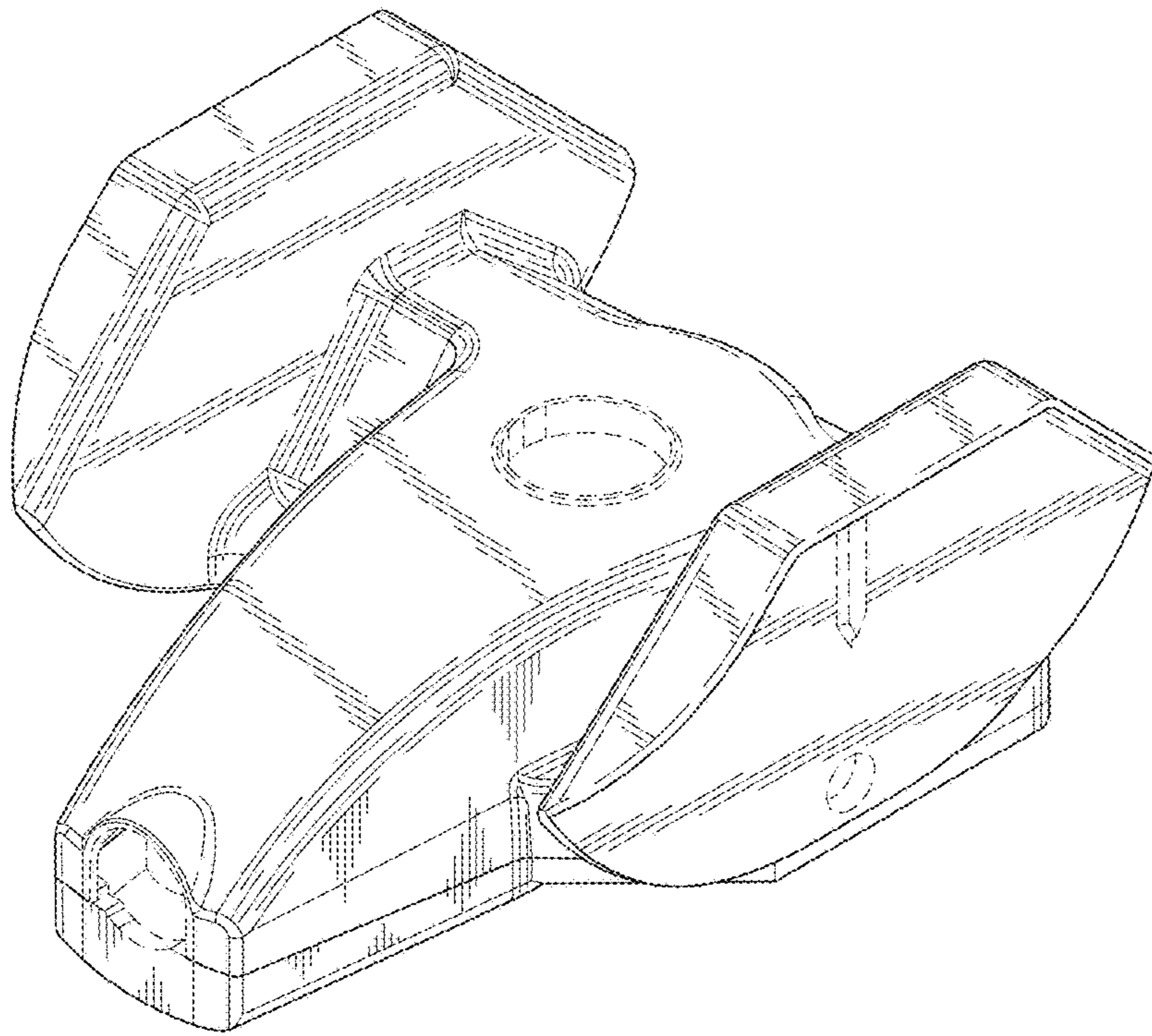


**FIG. 1**

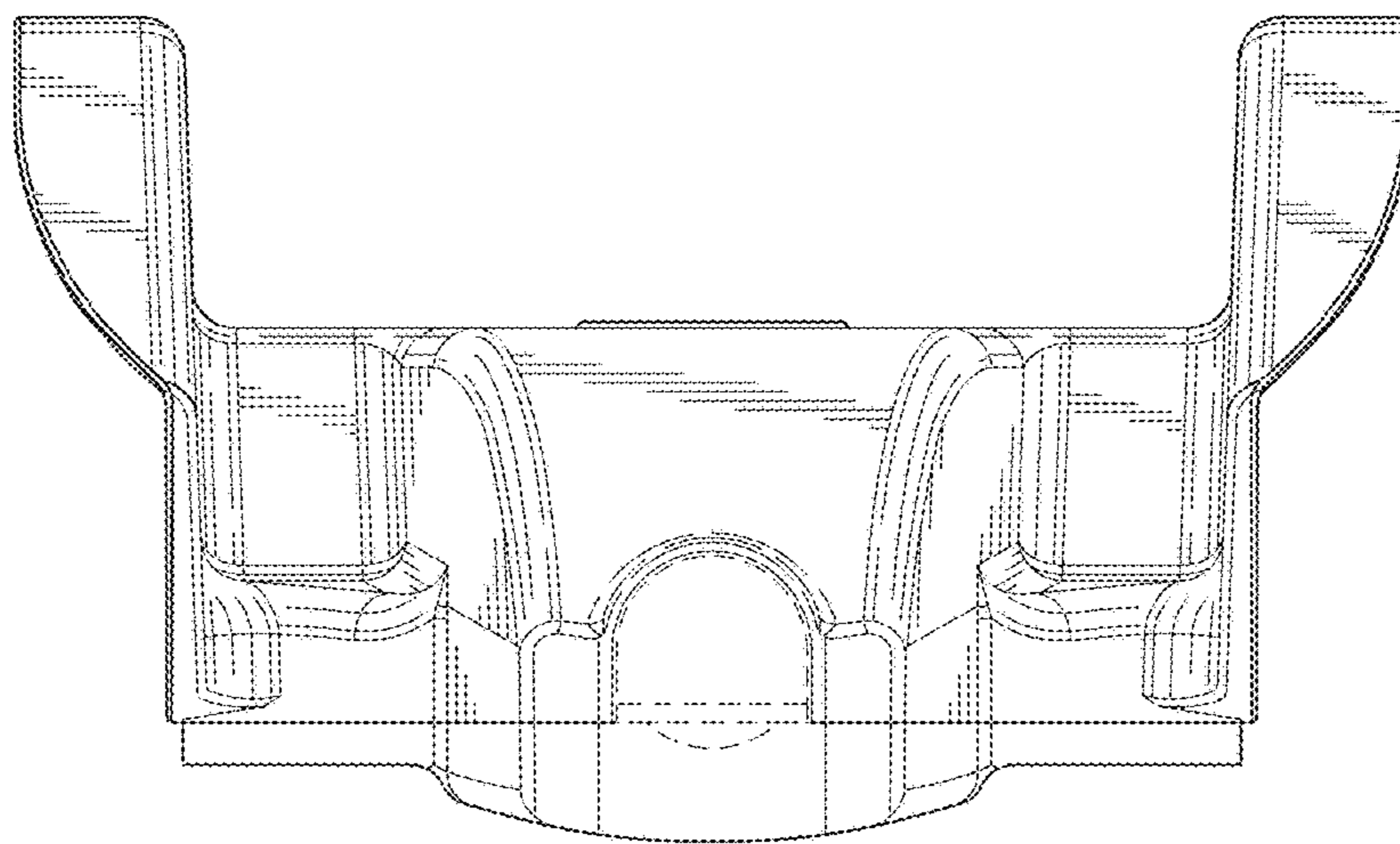


*FIG. 2*

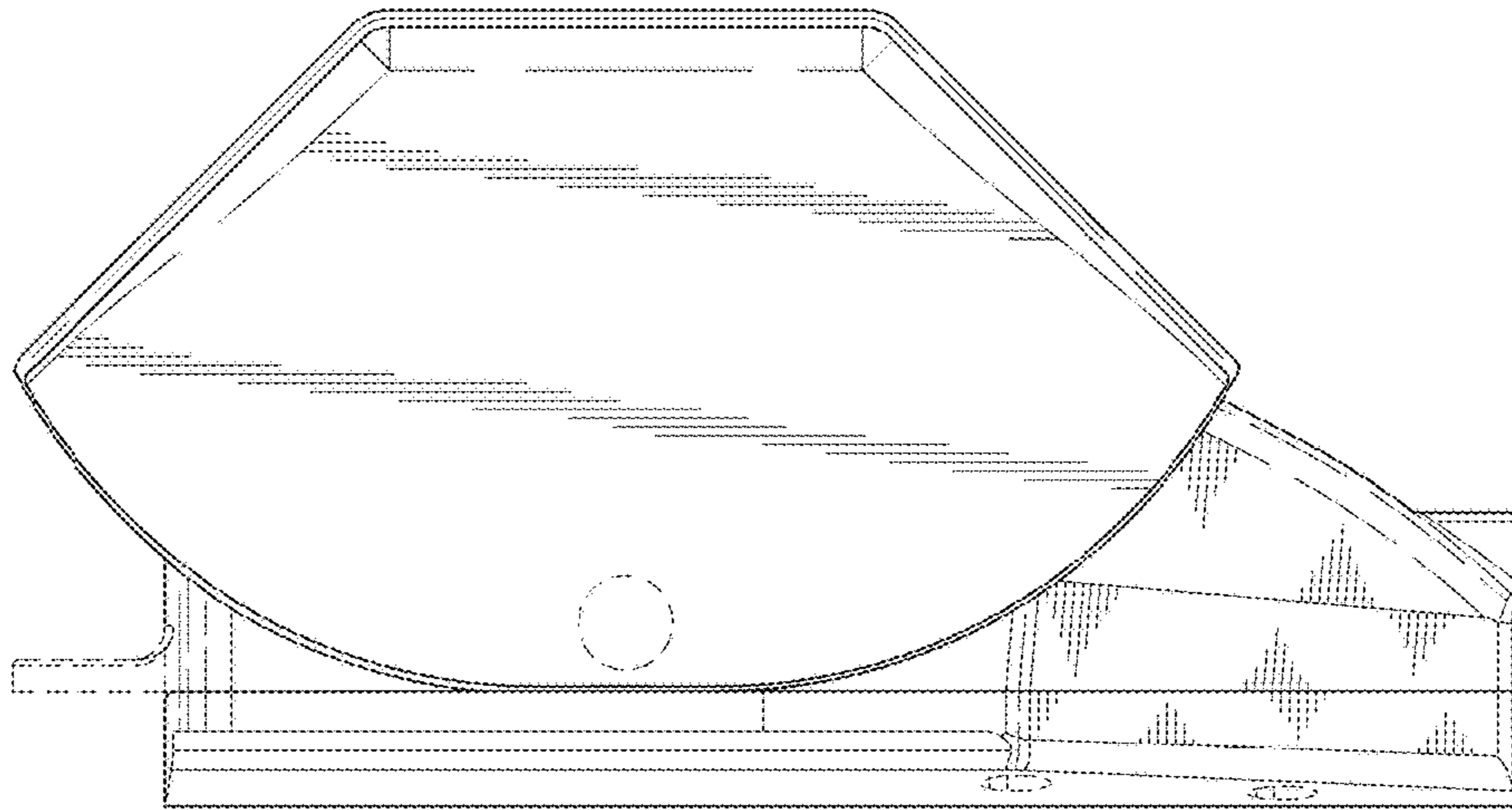




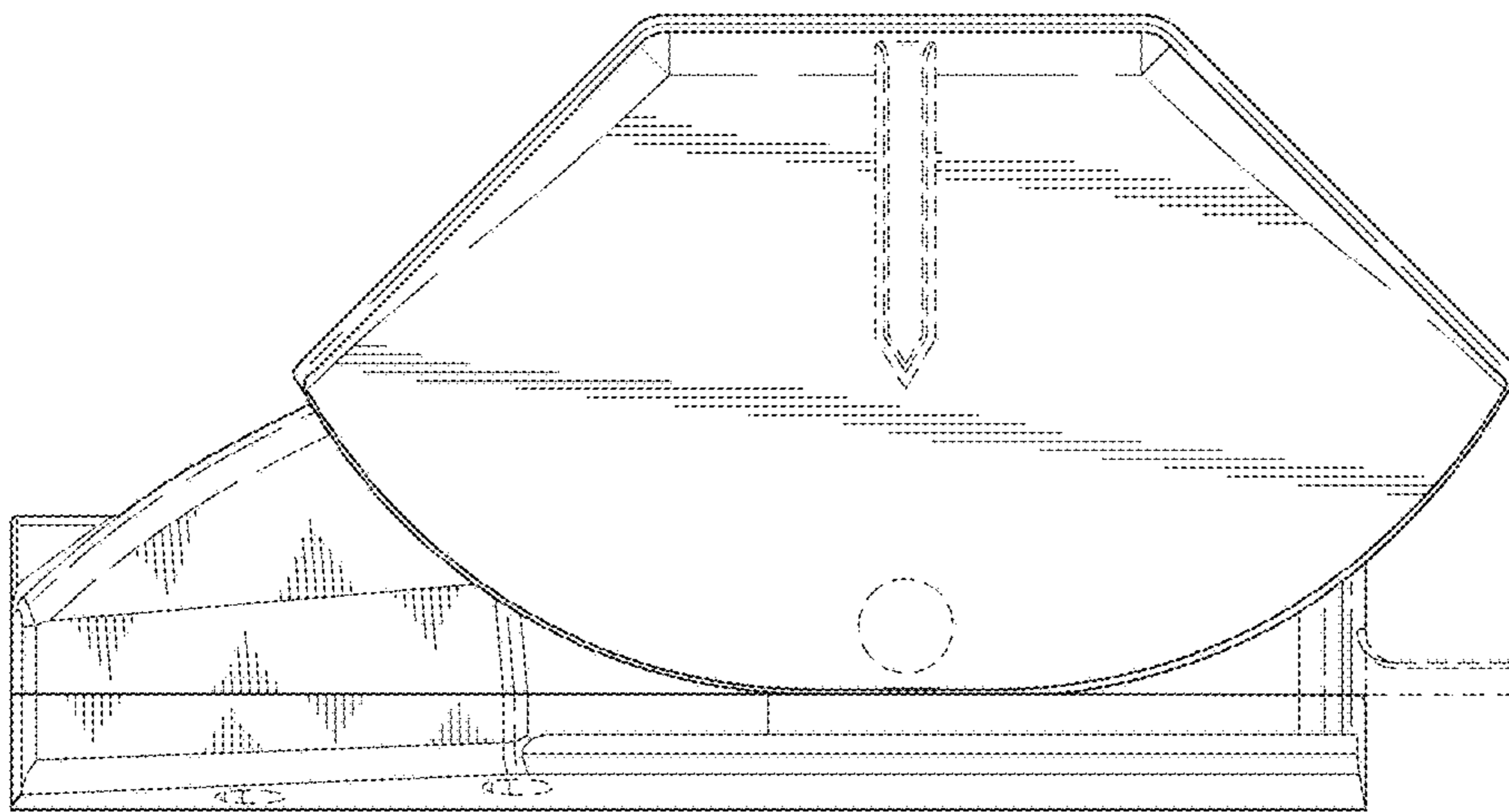
*FIG. 3*



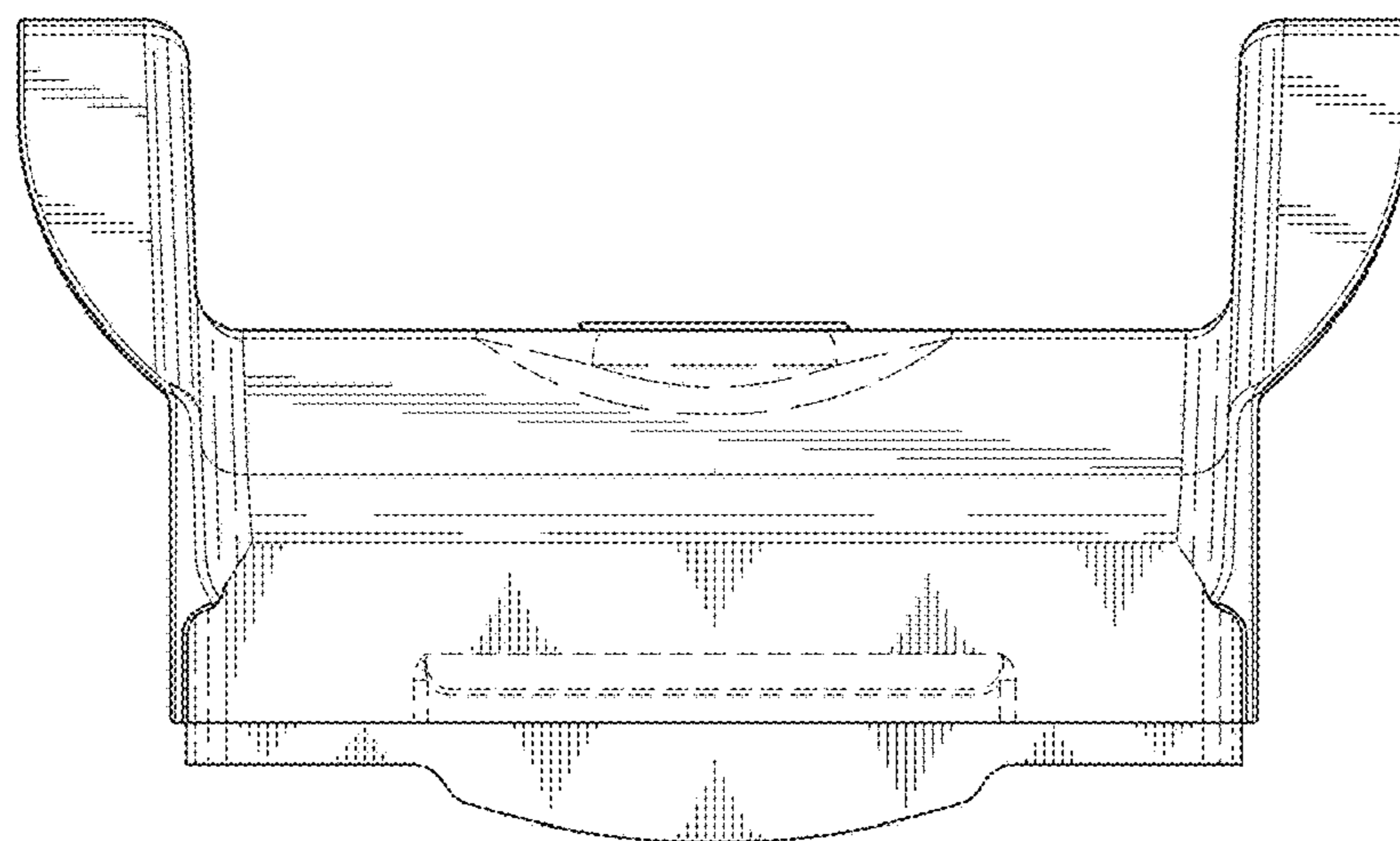
*FIG. 4*



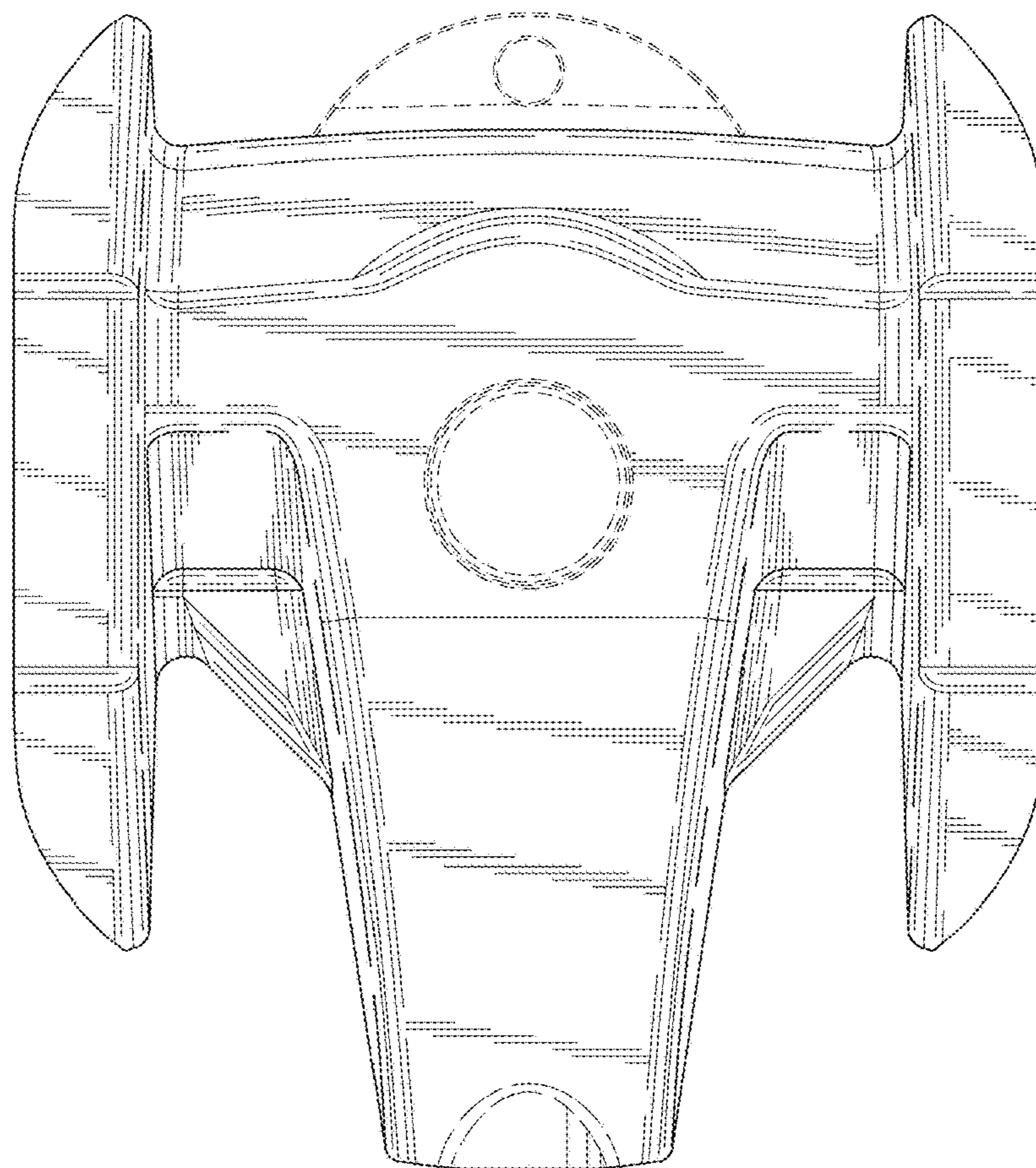
*FIG. 5*



*FIG. 6*

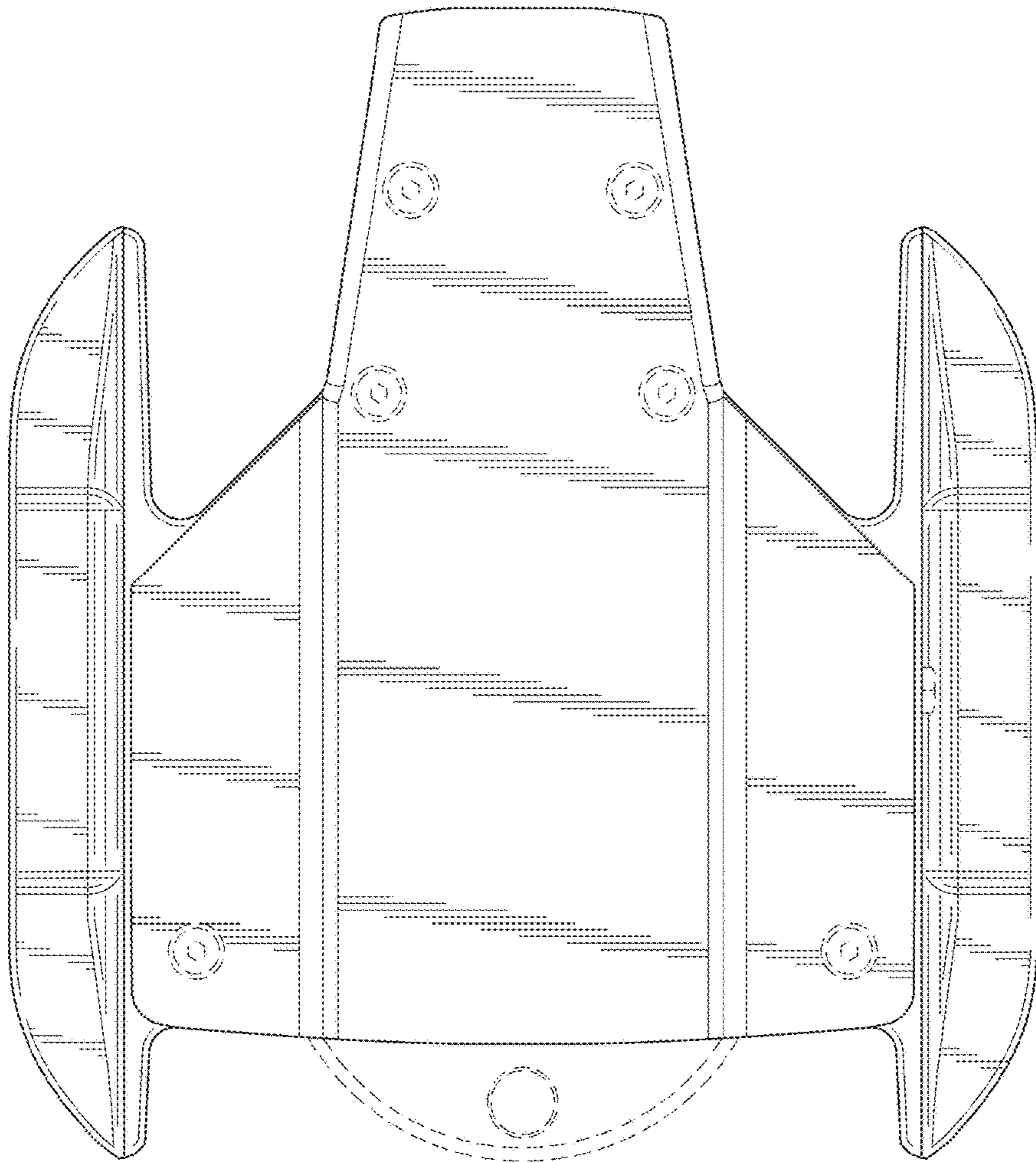


*FIG. 7*



*FIG. 8*





*FIG. 9*