



US00D827086S

(12) **United States Design Patent** (10) **Patent No.:** **US D827,086 S**  
**Bell et al.** (45) **Date of Patent:** **\*\* Aug. 28, 2018**

- (54) **WATER FILTER HOUSING TOP**
- (71) Applicant: **Brita LP**, Oakland, CA (US)
- (72) Inventors: **Russell E. Bell**, Pleasanton, CA (US);  
**Sara Balander**, Pleasanton, CA (US);  
**Scot Herbst**, Santa Cruz, CA (US)
- (73) Assignee: **Brita LP**, Oakland, CA (US)
- (\*\*) Term: **15 Years**
- (21) Appl. No.: **29/634,604**
- (22) Filed: **Jan. 23, 2018**

- D370,711 S 6/1996 Serenko et al.
- D372,069 S 7/1996 Brancazio et al.
- D374,911 S 10/1996 Kahana
- D380,535 S \* 7/1997 Joergensen ..... D23/209
- D388,154 S 12/1997 Pesa
- 5,980,743 A 11/1999 Bairischer
- 6,012,232 A 1/2000 Weyrauch
- 6,042,725 A 3/2000 Serenko et al.
- D435,084 S 12/2000 Northen et al.
- D448,448 S \* 9/2001 Hughes ..... D23/209
- 6,387,260 B1 5/2002 Pimenov et al.
- 6,405,875 B1 6/2002 Cutler
- 6,454,941 B1 9/2002 Cutler et al.
- 6,458,303 B1 10/2002 Fuehrer et al.
- 6,524,477 B1 2/2003 Hughes

(Continued)

**Related U.S. Application Data**

- (62) Division of application No. 29/587,594, filed on Dec. 14, 2016.
- (51) **LOC (11) Cl.** ..... **23-01**
- (52) **U.S. Cl.**  
USPC ..... **D23/209**
- (58) **Field of Classification Search**  
USPC ..... D23/209, 207, 210; 210/282, 464;  
D7/392, 667; D12/218  
CPC ..... B01D 35/00; B01D 35/35; B01D 35/153;  
B01D 27/02; B01D 27/14; C02F 1/00;  
C02F 1/003  
See application file for complete search history.

**References Cited**

**U.S. PATENT DOCUMENTS**

- D263,078 S 2/1982 Eddleman et al.
- 4,895,648 A 1/1990 Hankammer
- 4,969,996 A 11/1990 Hankammer
- D312,863 S 12/1990 Hankammer
- 4,978,449 A 12/1990 Devine et al.
- 5,002,665 A \* 3/1991 Brueggemann ..... B01D 24/04  
210/266
- 5,049,272 A 9/1991 Nieweg
- D320,640 S 10/1991 Goodwin

**FOREIGN PATENT DOCUMENTS**

WO WO9610676 A1 4/1996

*Primary Examiner* — Robin V Webster

*Assistant Examiner* — James C Thorn, Sr.

(74) *Attorney, Agent, or Firm* — Thomas C. Feix

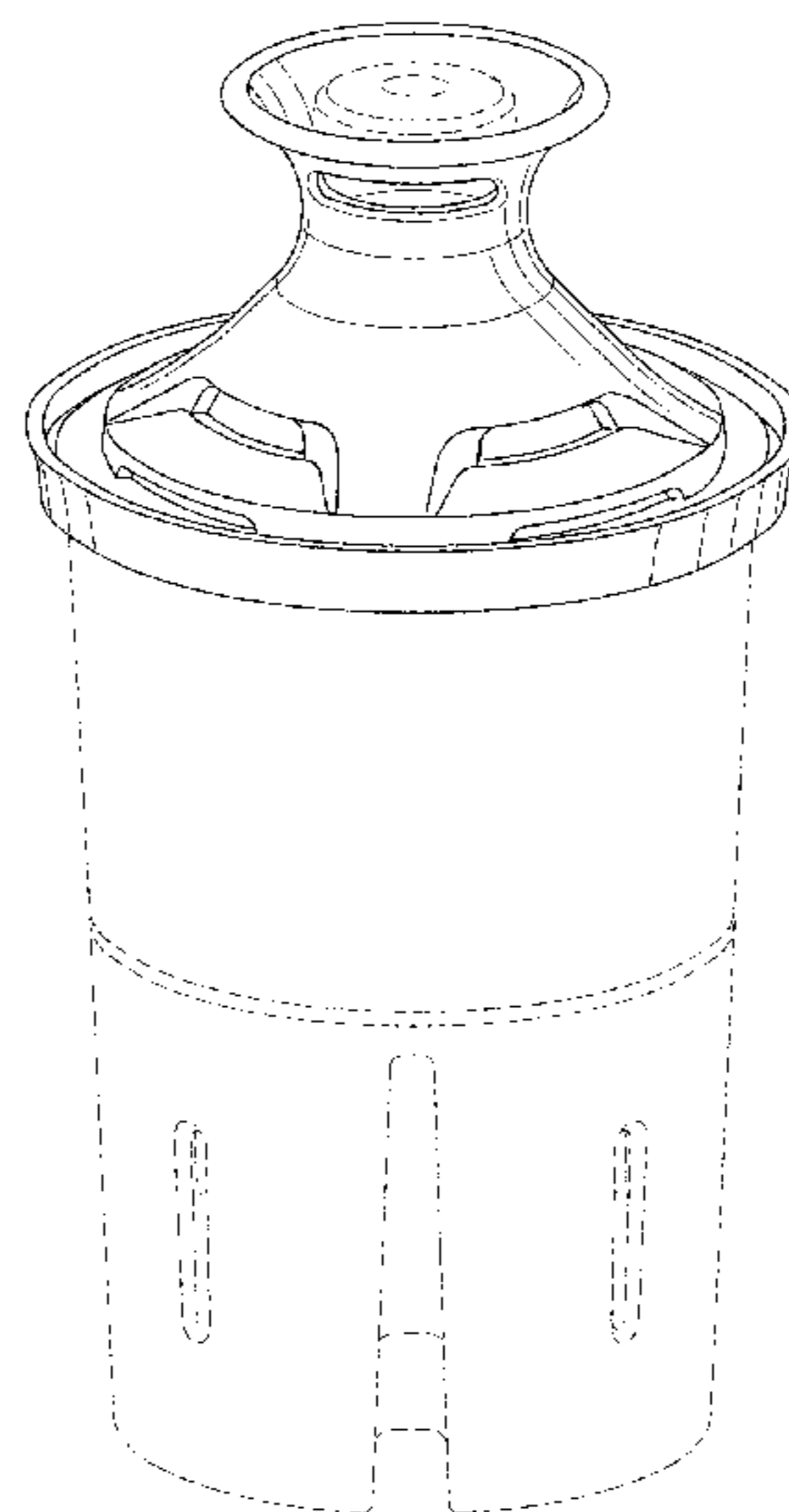
(57) **CLAIM**

The ornamental design for a water filter housing top, as shown and described.

**DESCRIPTION**

FIG. 1 is a front perspective view of a water filter housing top;  
 FIG. 2 is a top view thereof;  
 FIG. 3 is a bottom view thereof;  
 FIG. 4 is a left side view thereof,  
 FIG. 5 is a right side view thereof,  
 FIG. 6 is a front side view thereof; and,  
 FIG. 7 is a back side view thereof.  
 The broken lines shown in the drawings are included for the purpose of illustrating environmental structure and form no part of the claimed design.

**1 Claim, 4 Drawing Sheets**



(56)

**References Cited**

U.S. PATENT DOCUMENTS

6,638,426	B1	10/2003	Fritter et al.	
6,841,067	B1	1/2005	Hofmann et al.	
D529,127	S	9/2006	Cueman	
D562,430	S	2/2008	Slawomir	
D565,149	S	3/2008	Slawomir	
D566,808	S	4/2008	Slawomir	
7,387,729	B2	6/2008	Vandenbelt et al.	
D579,515	S	10/2008	Bell et al.	
D590,475	S	4/2009	Bell et al.	
7,695,615	B2	4/2010	Vinogradova et al.	
D618,761	S *	6/2010	Reid .....	D23/209
D642,658	S *	8/2011	Cumberland .....	D23/209
D643,090	S *	8/2011	Cumberland .....	D23/209
8,021,548	B2	9/2011	Gross et al.	
D647,594	S *	10/2011	Bridges .....	D23/209
D684,009	S	6/2013	Bell et al.	
8,673,147	B2	3/2014	Merz et al.	
8,986,544	B2	3/2015	Bommi et al.	
D773,607	S *	12/2016	Lu .....	D23/209
2011/0259207	A1	10/2011	Ozanne et al.	
2014/0027368	A1 *	1/2014	Bell .....	B01D 35/30 210/266
2014/0034579	A1 *	2/2014	Cagnoni .....	C02F 1/003 210/681
2014/0263020	A1	9/2014	Macdonald	
2016/0243469	A1 *	8/2016	Shmidt .....	C02F 1/003

\* cited by examiner

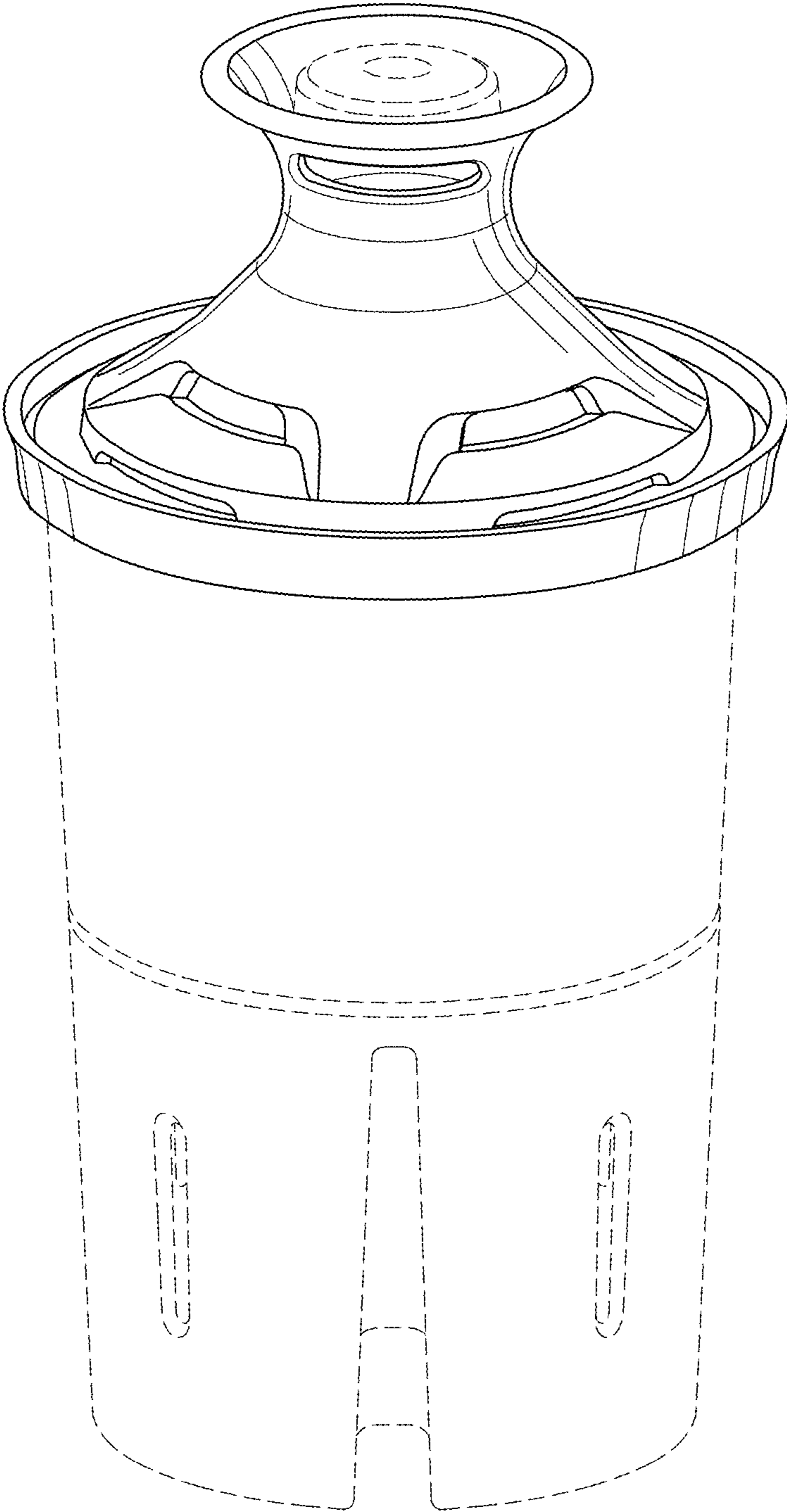


FIG. 1

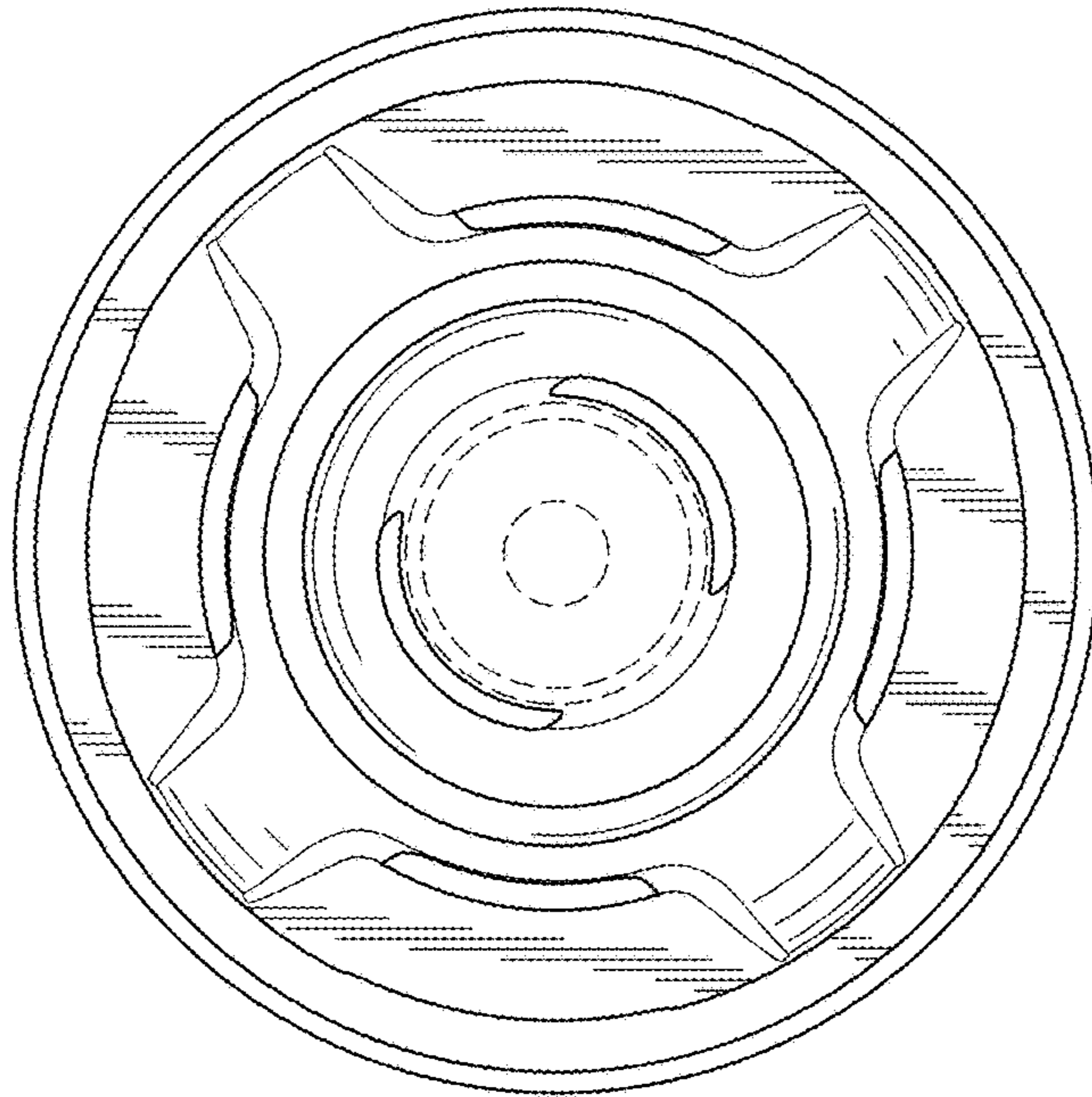


FIG. 2

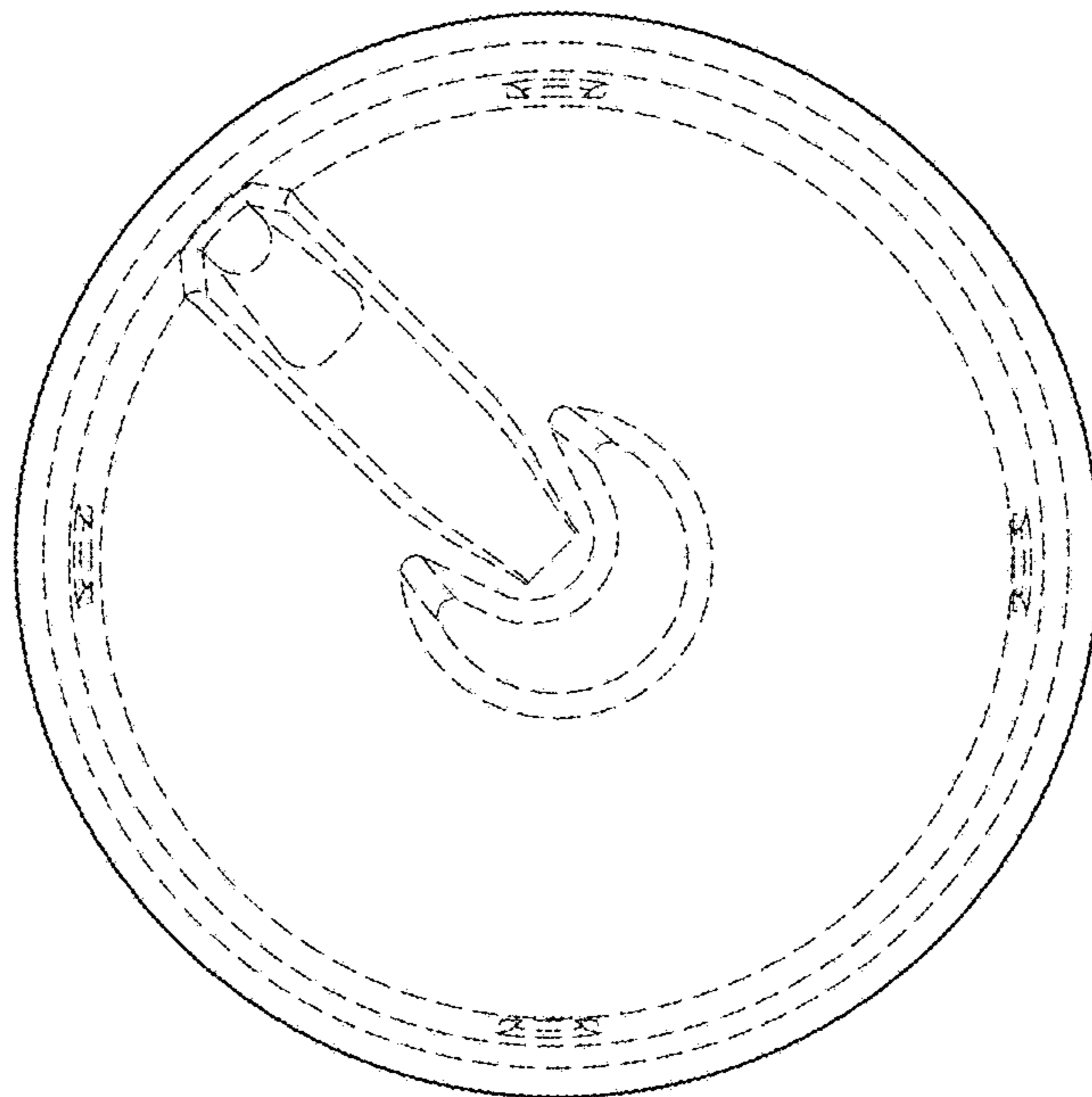


FIG. 3

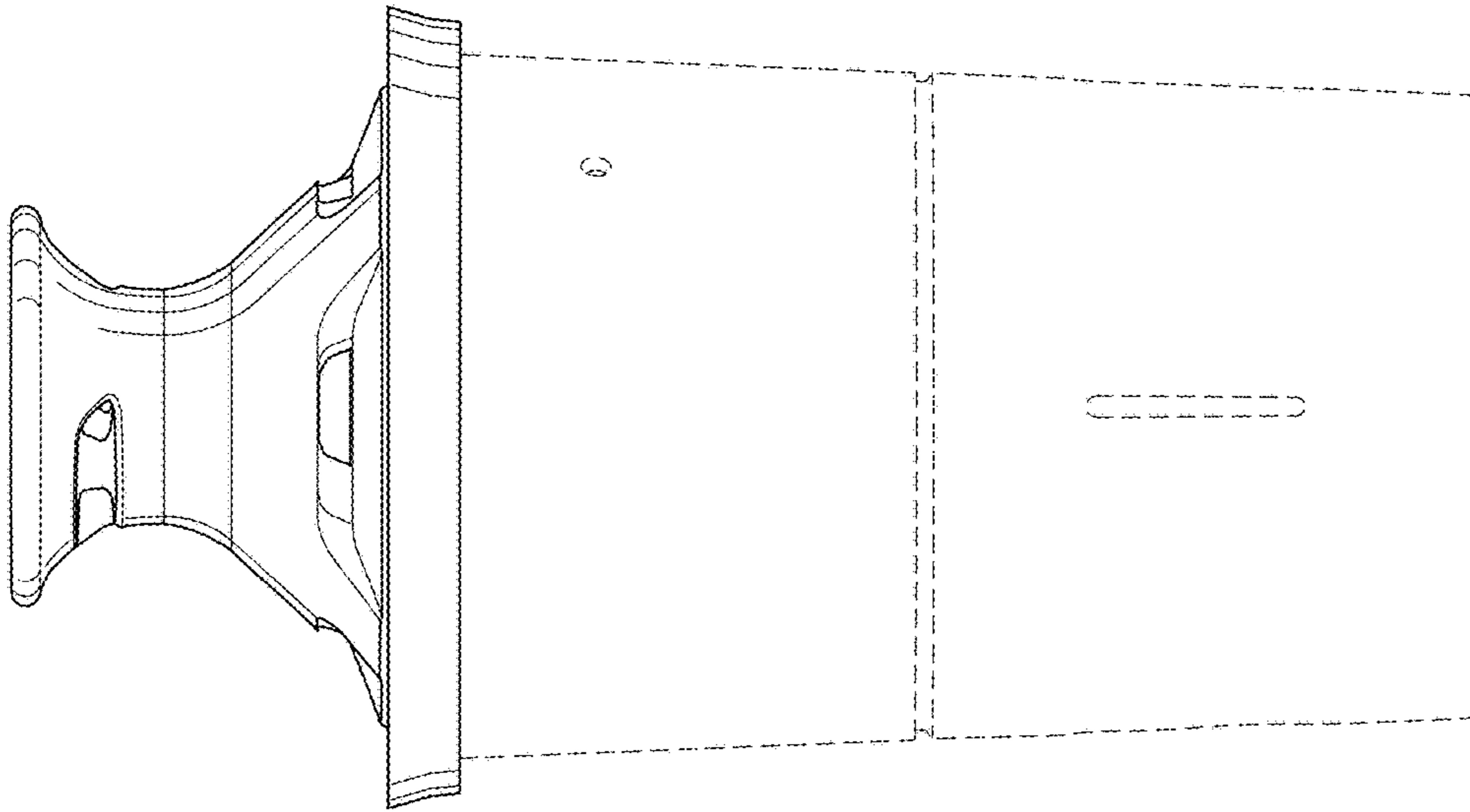


FIG. 5

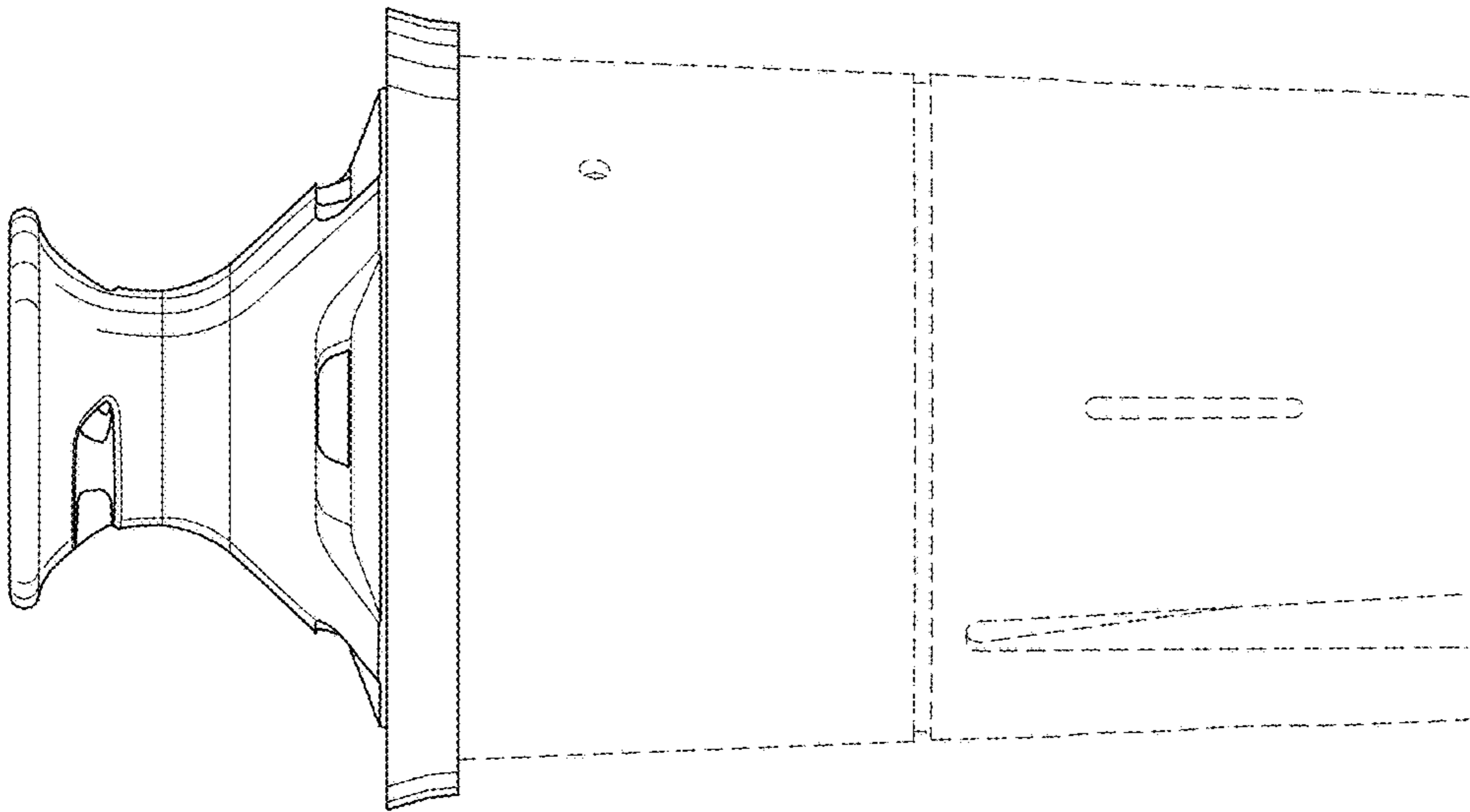


FIG. 4



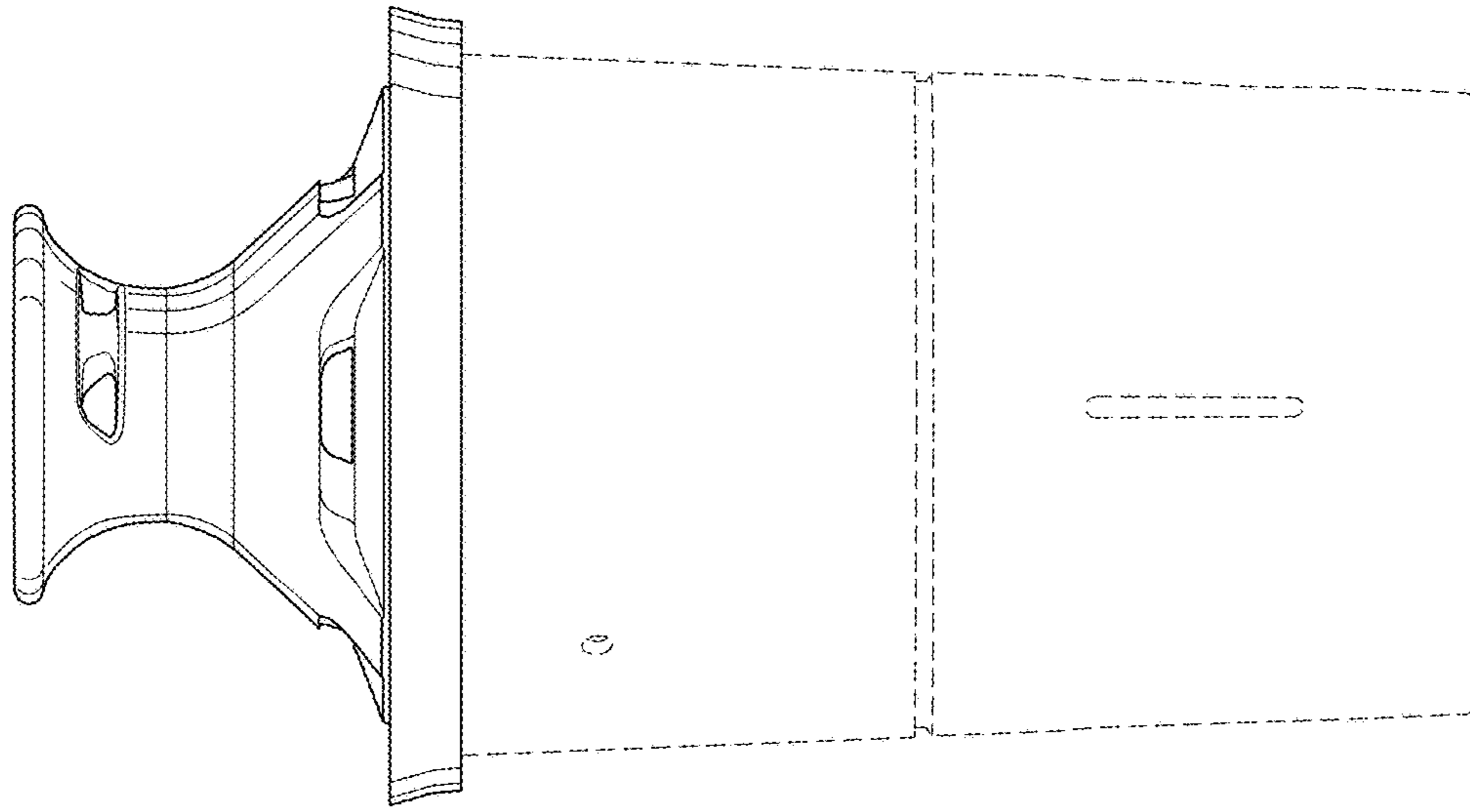


FIG. 6

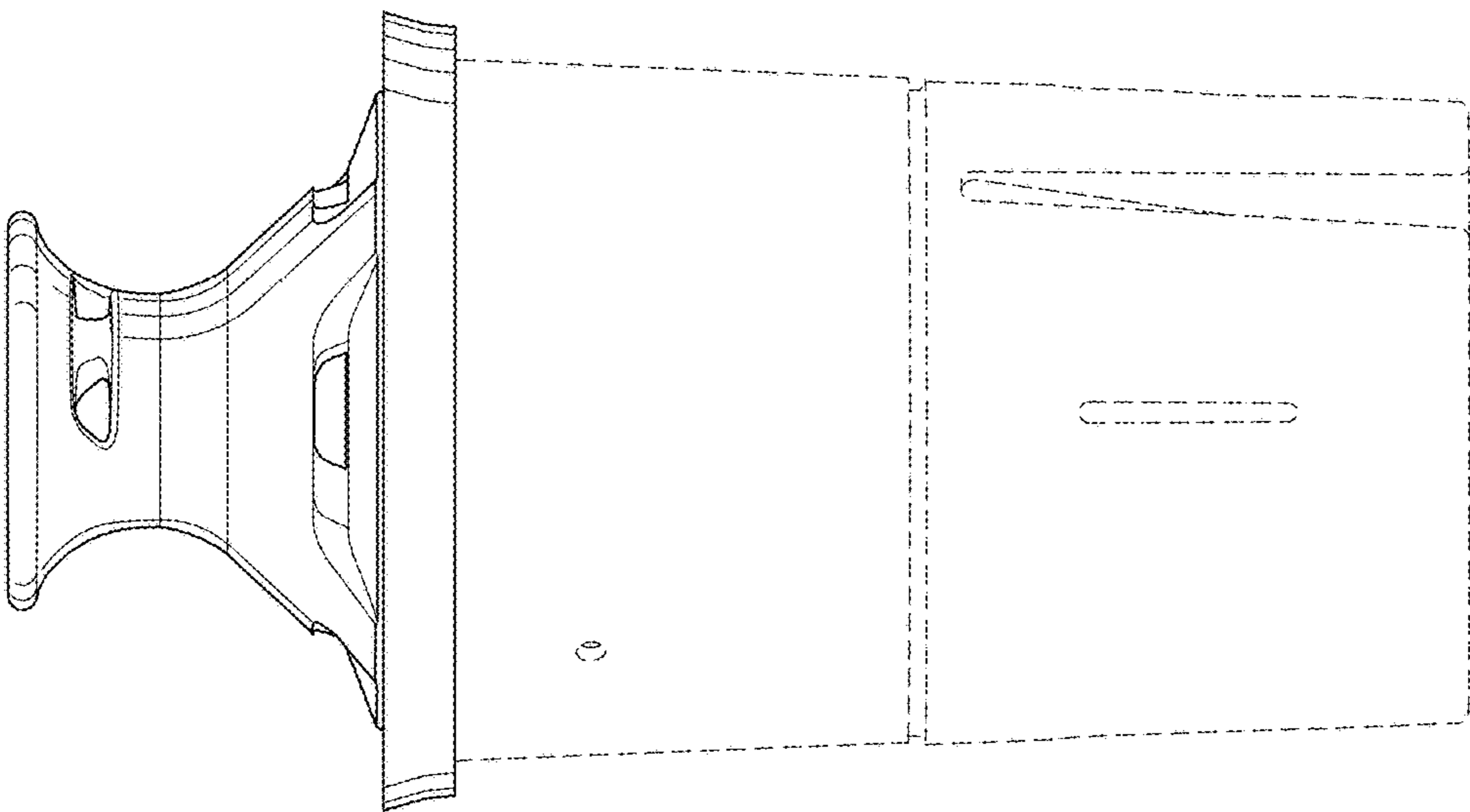


FIG. 7