



US00D827083S

(12) **United States Design Patent**
Zhang et al.

(10) **Patent No.:** **US D827,083 S**

(45) **Date of Patent:** **** Aug. 28, 2018**

(54) **ELECTRONIC SIGHT**

(71) Applicant: **Huntercraft Limited**, Albany, NY (US)

(72) Inventors: **Lin Zhang**, Albany, NY (US);
Chunhua Shi, Albany, NY (US); **Sang Su**, Albany, NY (US)

(73) Assignee: **HUNTERCRAFT LIMITED**, Albany, NY (US)

(**) Term: **15 Years**

(21) Appl. No.: **29/583,245**

(22) Filed: **Nov. 3, 2016**

(51) **LOC (11) Cl.** **22-01**

(52) **U.S. Cl.**
USPC **D22/109**

(58) **Field of Classification Search**
USPC D22/108-111; D16/132, 134, 330, 205,
D16/200, 202, 203, 218, 219, 221, 222,
D16/230; 42/85, 111, 113-114, 117-119,
42/122-123, 129, 130-133, 135-136,
42/140-146; D26/49; 348/143, 373-376;
396/427, 535-541
CPC . F41G 1/00; F41G 1/01; F41G 1/1632; F41G
1/34; F41G 1/36; F41G 1/38; F41G 1/40;
F41G 1/42; F41G 1/52; F41G 1/345;
F41G 11/003

See application file for complete search history.

(56) **References Cited**

U.S. PATENT DOCUMENTS

4,940,324	A	*	7/1990	Nichols	F41G 1/30
						356/247
D378,936	S	*	4/1997	DePaoli	D22/109
D438,552	S	*	3/2001	Sumita	D16/202
D472,569	S	*	4/2003	Schick	D16/132
D529,063	S	*	9/2006	Cheng	D16/203
D548,258	S	*	8/2007	Tanifuji	D16/202

D558,247	S	*	12/2007	Kim	D16/202
D598,941	S	*	8/2009	Tanifuji	D16/202
D603,436	S	*	11/2009	Hamilton	D16/132
D615,141	S	*	5/2010	Leighton	D22/108
D616,956	S	*	6/2010	Hamilton	D22/108
D619,190	S	*	7/2010	Larsson	D22/108
D628,323	S	*	11/2010	Matthews	D22/108
D652,440	S	*	1/2012	Davidson	D16/203

(Continued)

OTHER PUBLICATIONS

EOTECH—Holographic HHS I EXP3-4 & G33 Magnifier Combo, Brownells.com, [online], [site visited Jan. 5, 2018]. <URL: https://www.brownells.com/optics-mounting/electronic-sights/holographic-sights/holographic-hhs-i-exps3-4-g33-magnifier-combo-prod44642.aspx> (Year: 2018).*

(Continued)

Primary Examiner — T Chase Nelson

Assistant Examiner — Jonathan J. Han

(74) *Attorney, Agent, or Firm* — Novick, Kim & Lee, PLLC; Allen Xue; Hyun Woo Shin

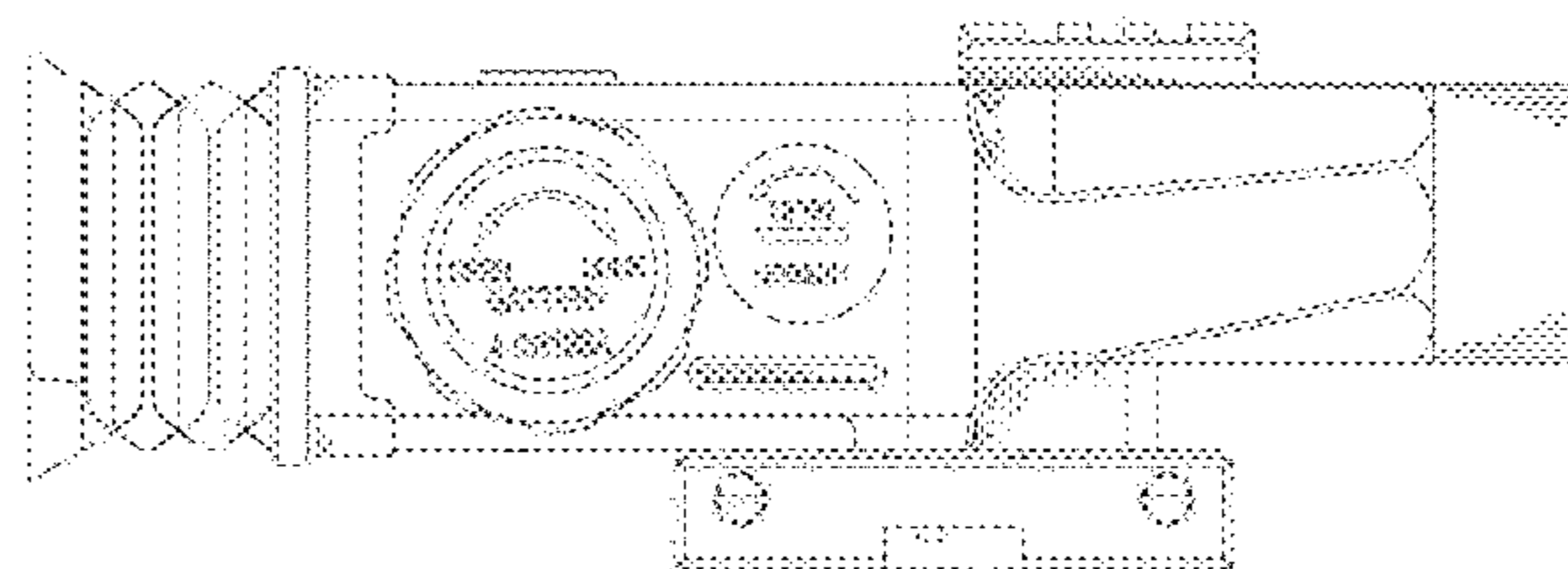
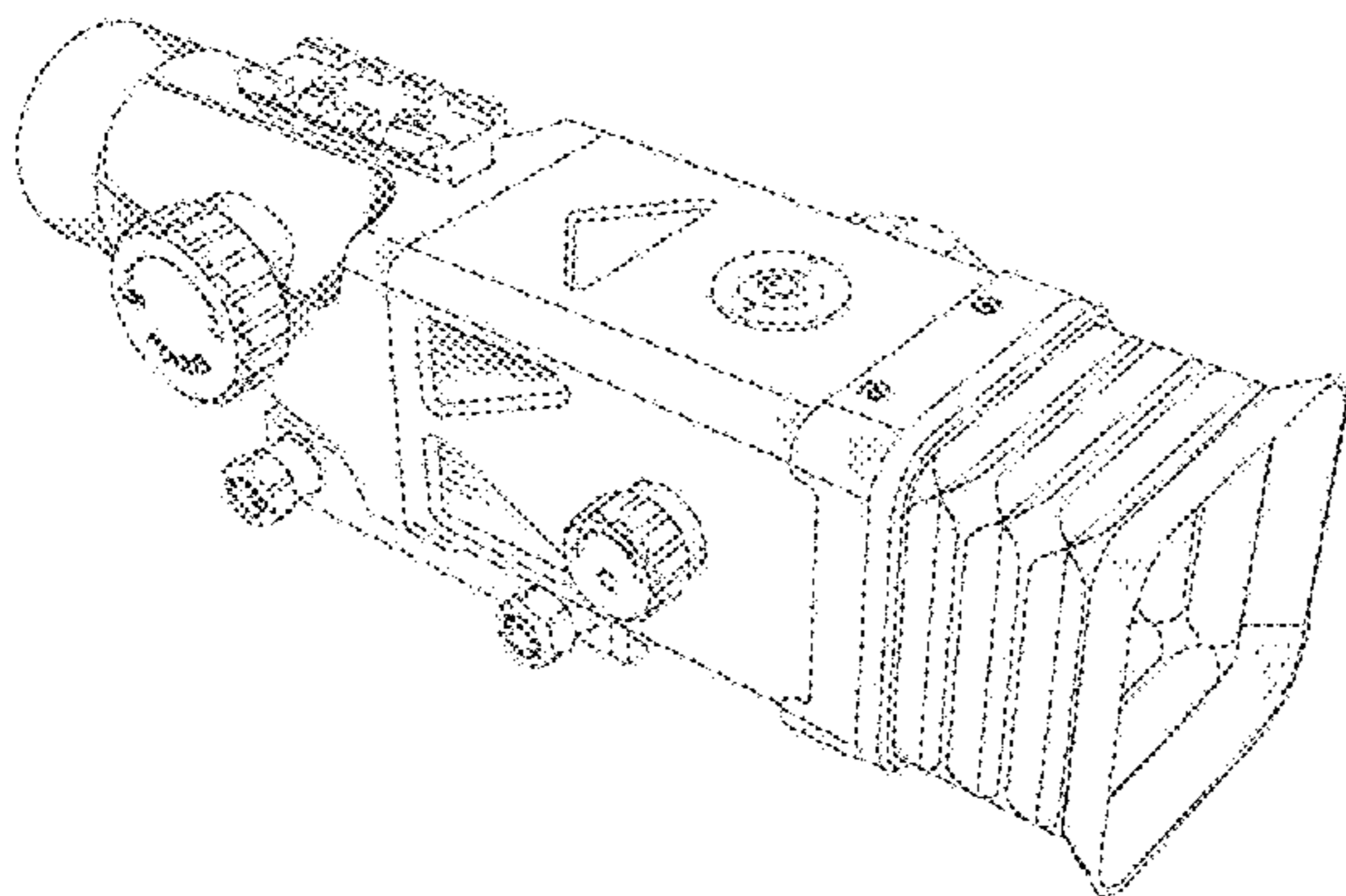
(57) **CLAIM**

We claim the ornamental design for an electronic sight, substantially as shown and described.

DESCRIPTION

FIG. 1 is a top, front and left side perspective view of a fully assembled electronic sight showing our new design; FIG. 2 is a rear elevational view thereof; FIG. 3 is a front elevational view thereof; FIG. 4 is a right elevational view thereof; FIG. 5 is a left elevational view thereof; FIG. 6 is a top plan view thereof; FIG. 7 is a bottom plan view thereof; and, FIG. 8 is an exploded perspective view thereof. The broken lines are used to show unclaimed environmental structure and form no part of the claimed design.

1 Claim, 7 Drawing Sheets



(56)

References Cited

U.S. PATENT DOCUMENTS

D674,858 S * 1/2013 Galli D22/108
 D678,562 S * 3/2013 Chan D26/28
 D679,775 S * 4/2013 Cheng D22/109
 D709,158 S * 7/2014 Wells D22/108
 D717,390 S * 11/2014 Rogers D22/108
 D732,137 S * 6/2015 Hamilton D22/109
 9,057,584 B2 * 6/2015 Chung F41G 1/16
 9,065,995 B2 * 6/2015 Hirakawa H04N 5/2254
 D747,431 S * 1/2016 Cheng D22/109
 D750,685 S * 3/2016 Santos D16/208
 D752,701 S * 3/2016 Bengtsson D22/109
 D756,027 S * 5/2016 Hamasaki D26/138
 D757,886 S * 5/2016 Cheng D22/109
 D764,007 S * 8/2016 Horton D22/109
 RE46,226 E * 12/2016 Gambino D22/109
 D778,390 S * 2/2017 Zhang D22/109

D781,990 S * 3/2017 Cheng D22/109
 9,766,042 B2 * 9/2017 Zhang F41G 3/165
 D803,347 S * 11/2017 Cheng D22/109

OTHER PUBLICATIONS

Elcan Day and Night DigitalHunter Digital Rifle Scope, MidwayUSA.com, [online], [site visited Jan. 5, 2018]. <URL: <https://www.midwayusa.com/product/637084/elcan-day-and-night-digitalhunter-digital-rifle-scope-25-165x-electronic-zoom-with-integral-picatinny-style-mount-matte>> (Year: 2018).*

Pulsar Digisight N550 Night Vision Digital Rifle Scope, OpticsPlanet.com, [online], [site visited Jan. 5, 2018]. <URL: <https://www.opticsplanet.com/pulsar-digisight-n550-digital-night-vision-riflescope.html>> (Year: 2018).*

Sony Pxx-Z150 4K XDCAM Camcorder, BHphotoVideo.com, [online], [site visited Jan. 5, 2018]. <URL: https://www.bhphotovideo.com/c/product/1222976-REG/sony_pxw_z150_4k_xdcam_camcorder.html> (Year: 2018).*

* cited by examiner

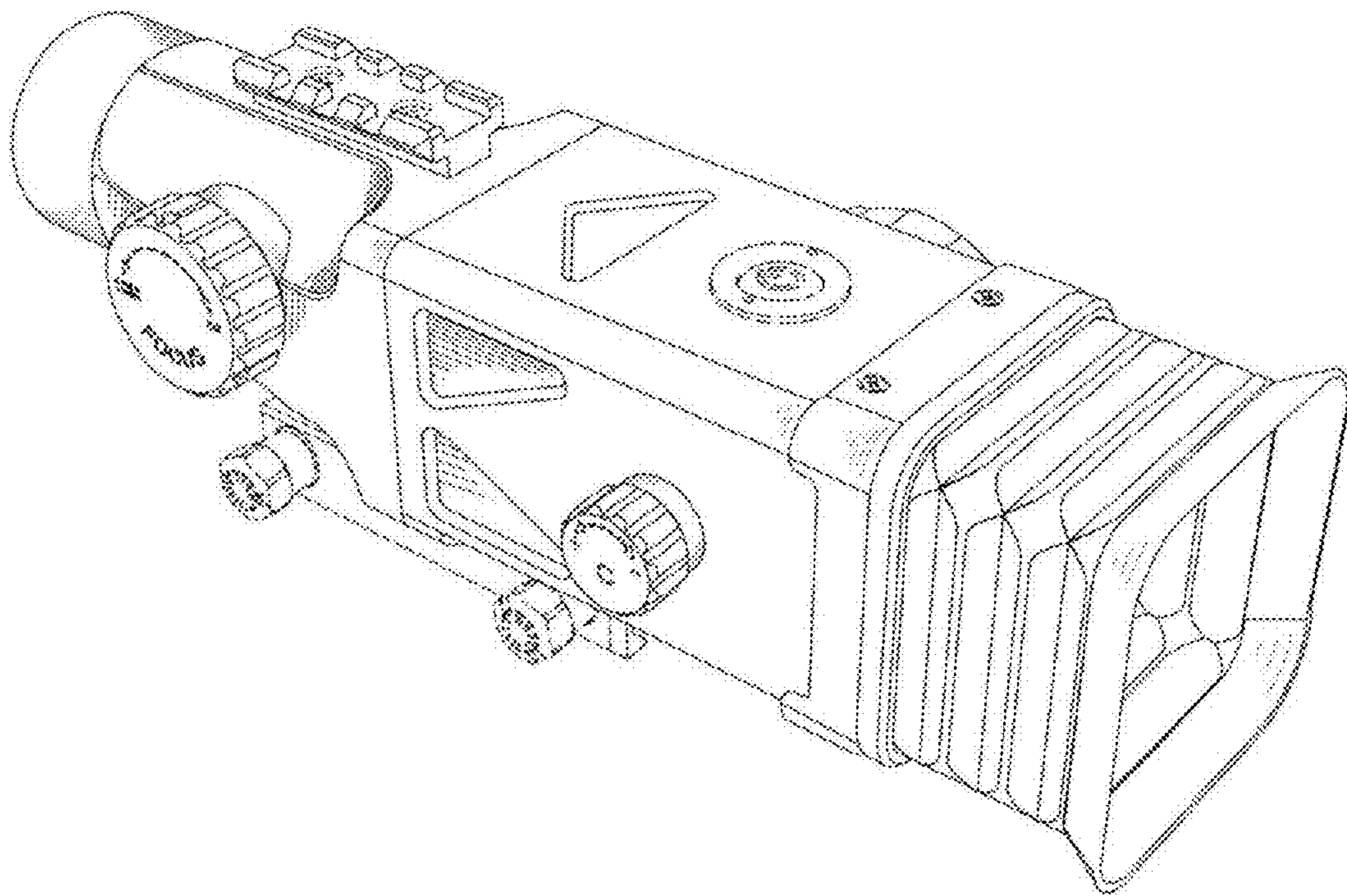


FIG. 1

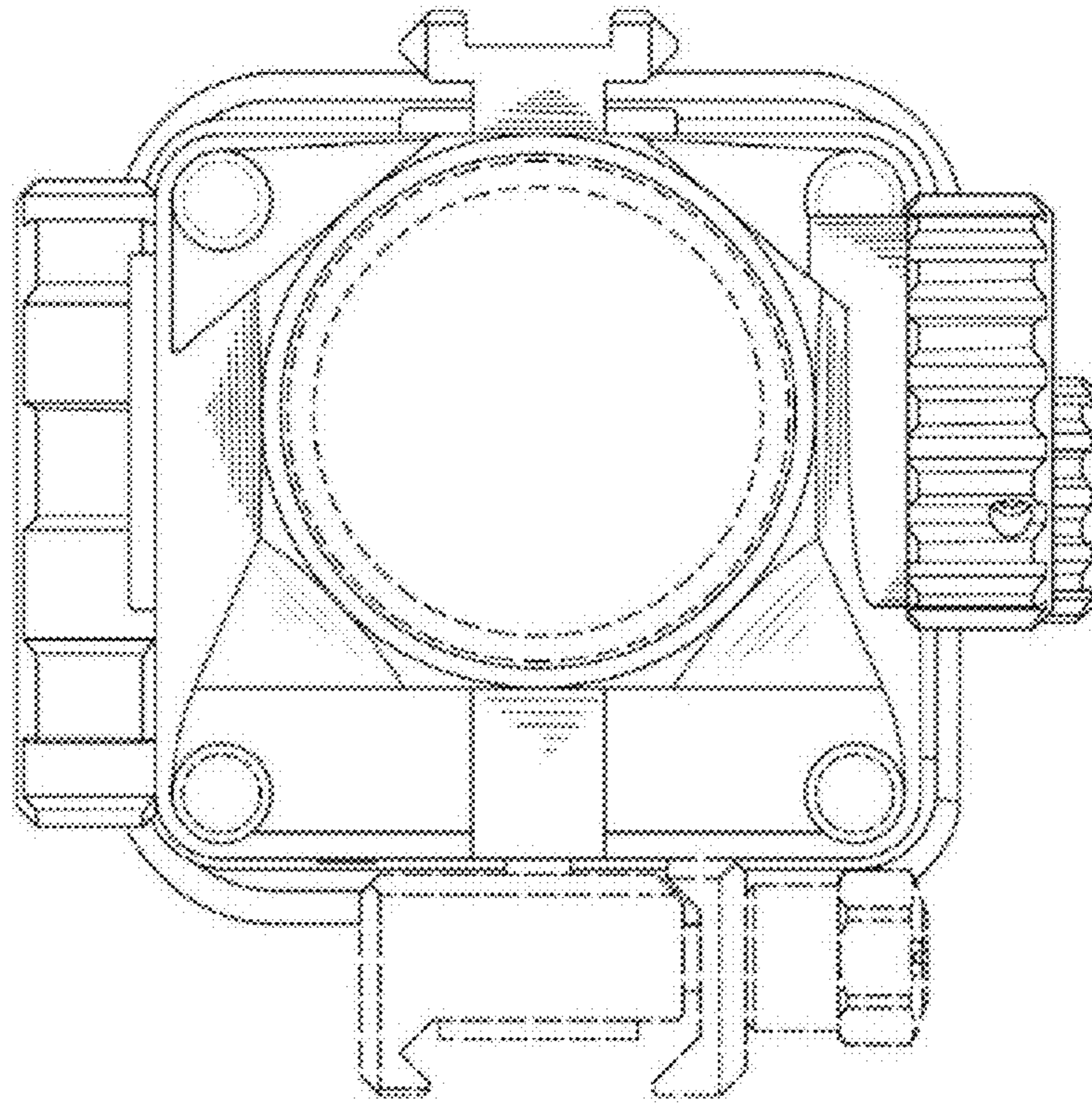


FIG. 2

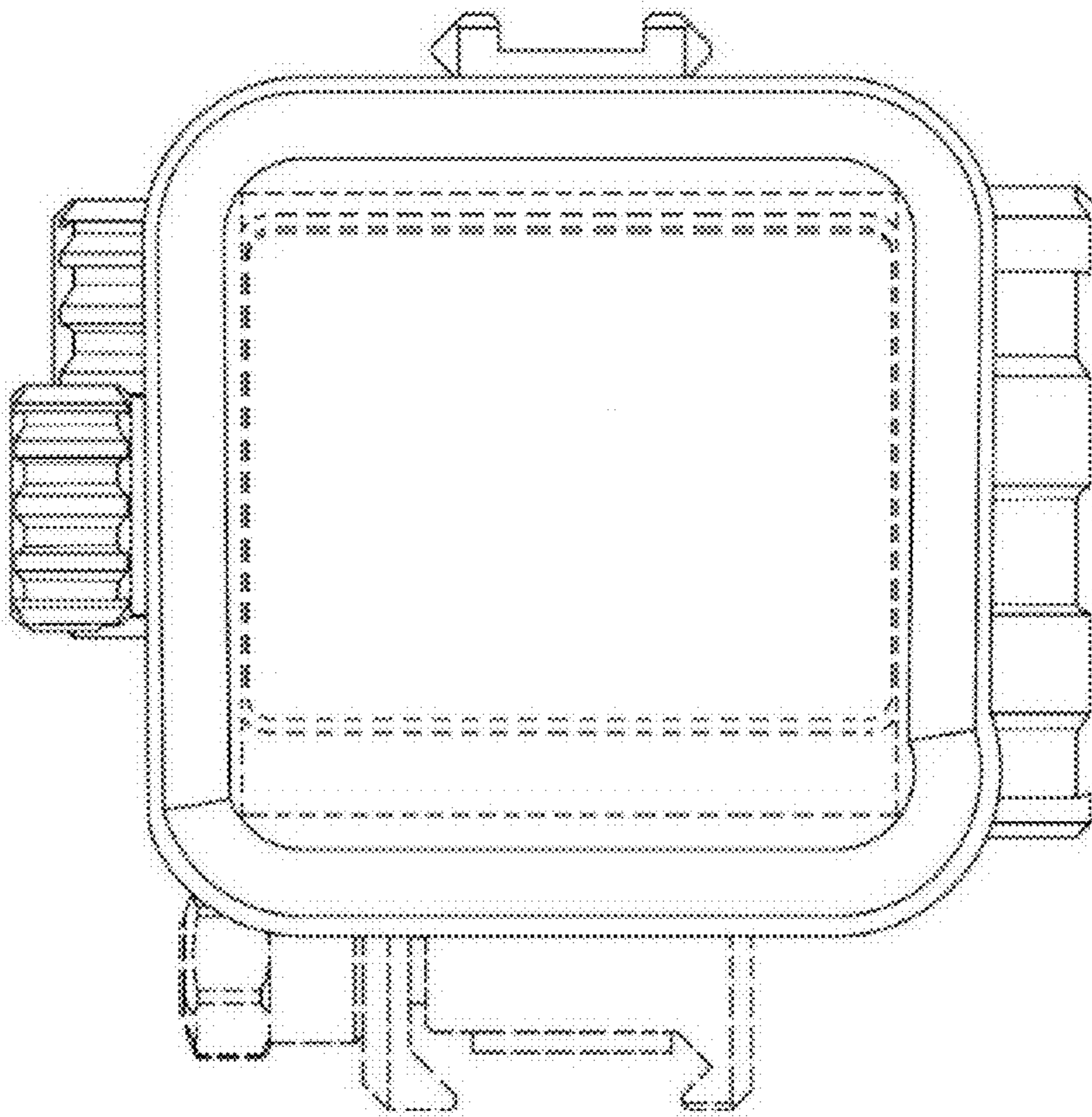


FIG. 3

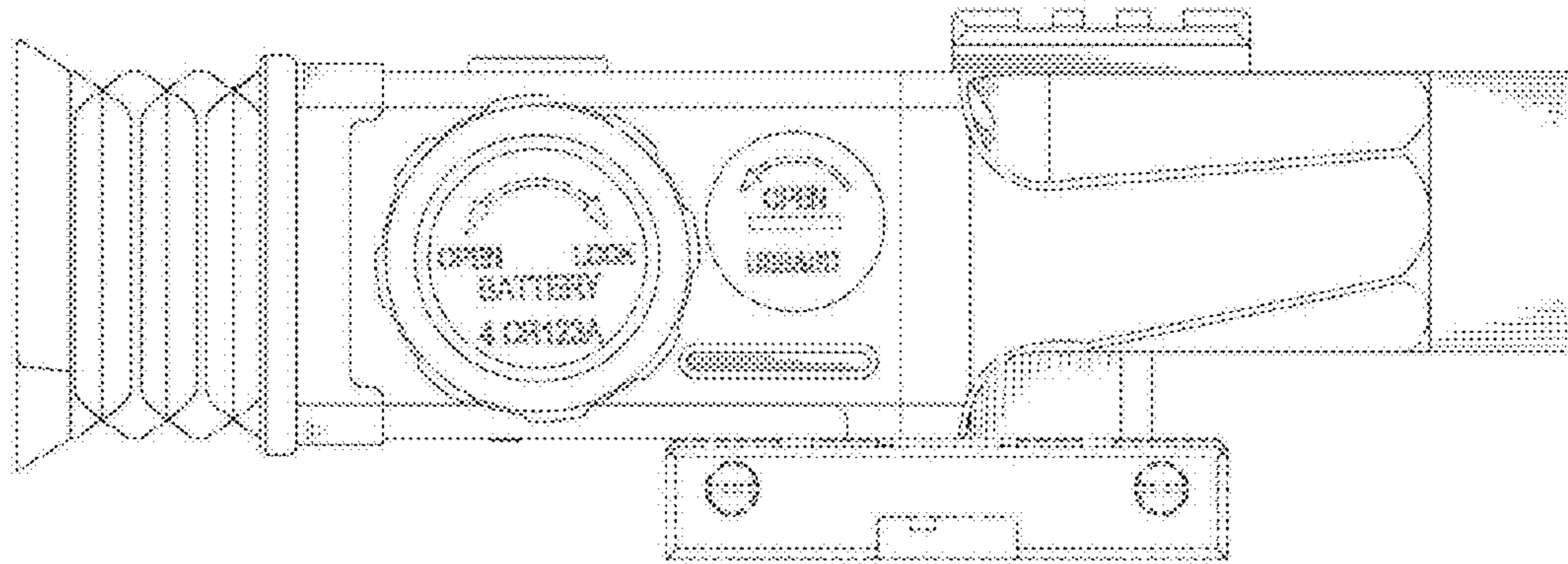


FIG. 4

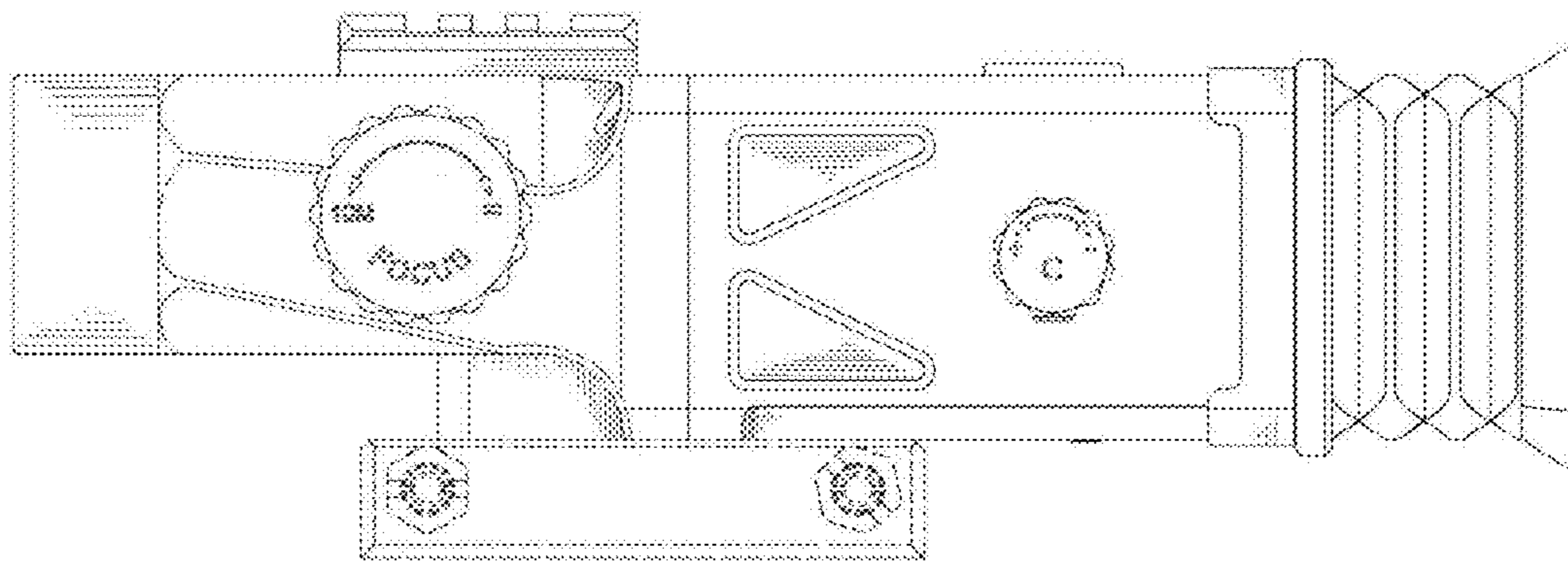


FIG. 5

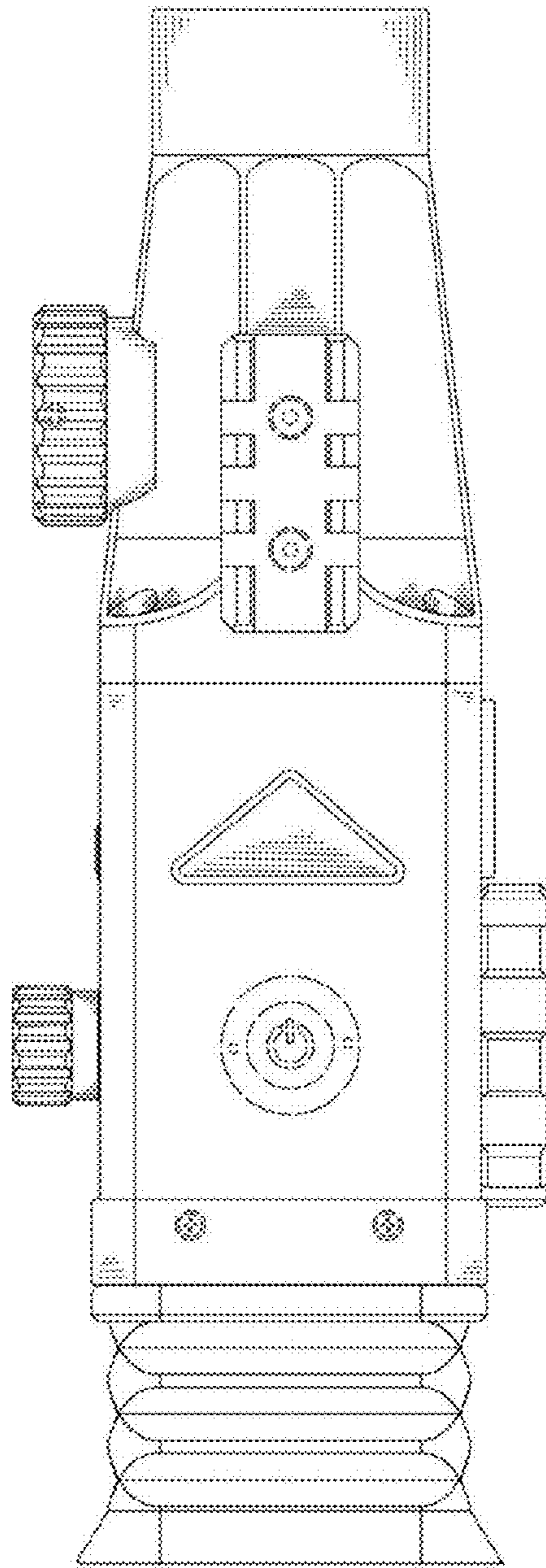


FIG. 6

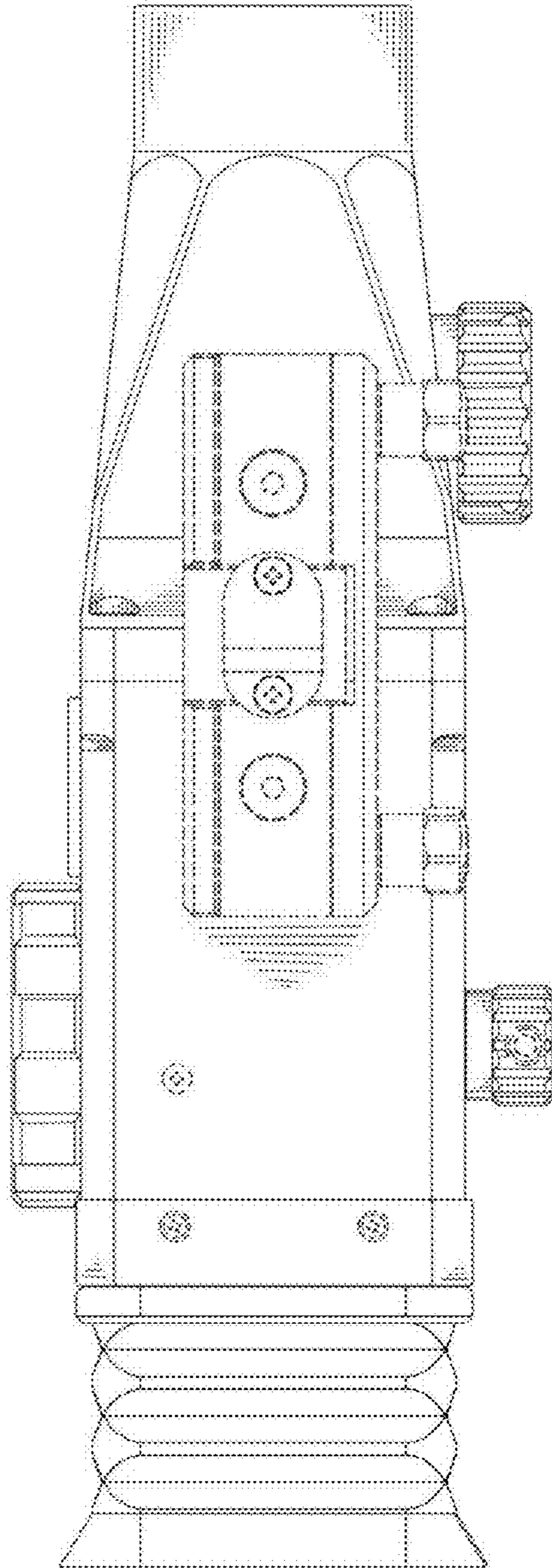


FIG. 7

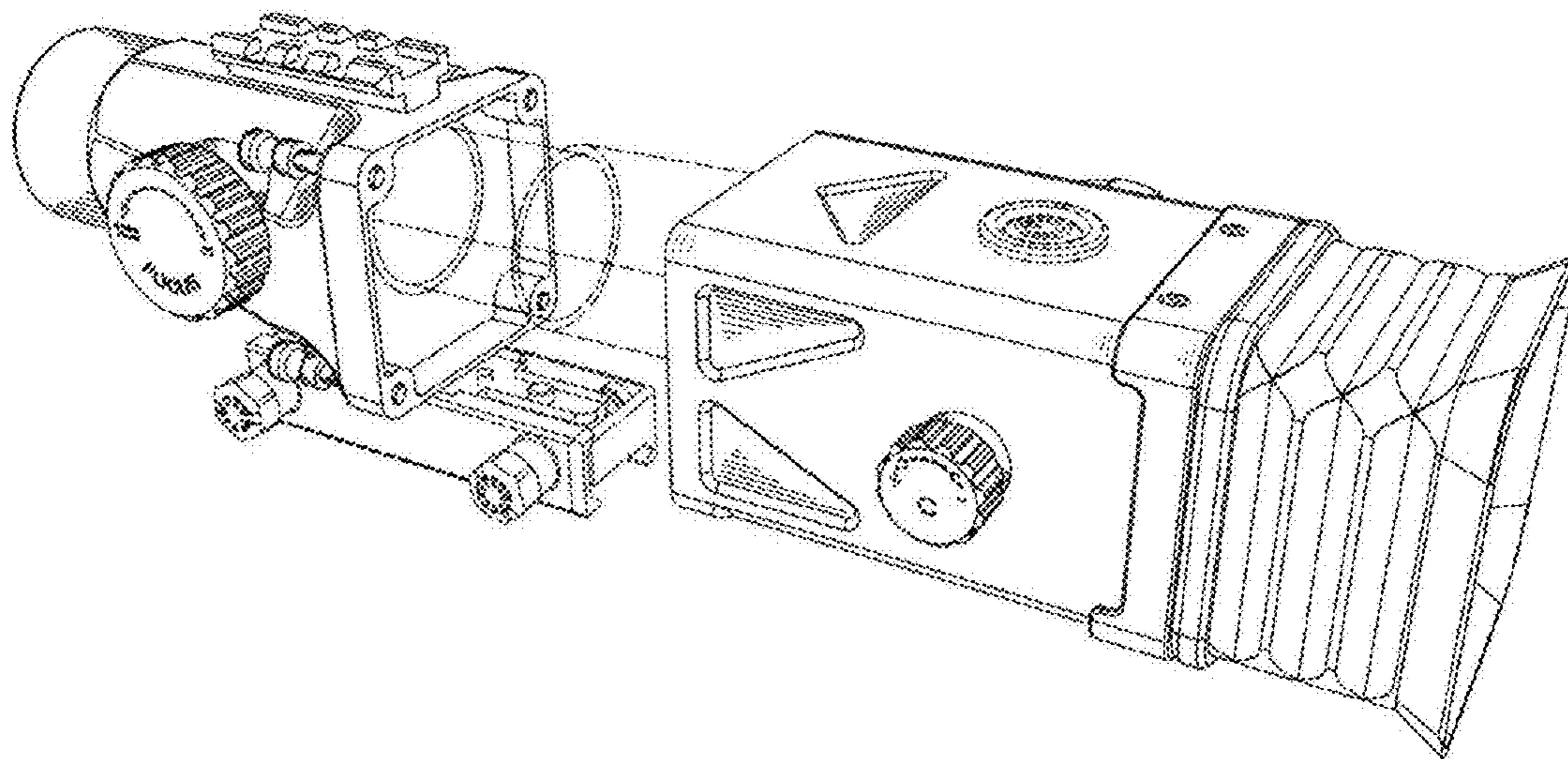


FIG. 8