



US00D827082S

(12) **United States Design Patent**
Dubois

(10) **Patent No.:** **US D827,082 S**

(45) **Date of Patent:** **** Aug. 28, 2018**

(54) **RIFLE HAND GUARD**

(71) Applicant: **Smith & Wesson Corp.**, Springfield, MA (US)

(72) Inventor: **Jason Dubois**, North Smithfield, RI (US)

(73) Assignee: **Smith & Wesson Corp.**, Springfield, MA (US)

(**) Term: **15 Years**

(21) Appl. No.: **29/576,797**

(22) Filed: **Sep. 7, 2016**

Related U.S. Application Data

(62) Division of application No. 29/519,455, filed on Mar. 5, 2015, now Pat. No. Des. 771,216.

(51) **LOC (11) Cl.** **22-01**

(52) **U.S. Cl.**
USPC **D22/108**

(58) **Field of Classification Search**
USPC D22/103, 108; D21/572-575
(Continued)

(56) **References Cited**

U.S. PATENT DOCUMENTS

D616,520 S 5/2010 Starnes
D616,521 S 5/2010 Starnes

(Continued)

Primary Examiner — Michael A. Pratt

(74) *Attorney, Agent, or Firm* — John A. Chionchio, Esq.; Ballard Spahr LLP

(57) **CLAIM**

I claim the ornamental design for a rifle hand guard, as shown and described.

DESCRIPTION

FIG. 1 is an isometric view of an embodiment of my design for a rifle hand guard;

FIG. 2 is a front view of the design for the rifle hand guard shown in FIG. 1;

FIG. 3 is a rear view of the design for the rifle hand guard shown in FIG. 1;

FIG. 4 is a top view of the design for the rifle hand guard shown in FIG. 1;

FIG. 5 is a bottom view of the design for the rifle hand guard shown in FIG. 1; and

FIG. 6 is a right side view of the design for the rifle hand guard shown in FIG. 1, the left side view being a mirror image thereof.

FIG. 7 is an isometric view of an embodiment of my design for a rifle hand guard;

FIG. 8 is a front view of the design for the rifle hand guard shown in FIG. 7;

FIG. 9 is a rear view of the design for the rifle hand guard shown in FIG. 7;

FIG. 10 is a top view of the design for the rifle hand guard shown in FIG. 7;

FIG. 11 is a bottom view of the design for the rifle hand guard shown in FIG. 7; and

FIG. 12 is a right side view of the design for the rifle hand guard shown in FIG. 7, the left side view being a mirror image thereof.

FIG. 13 is an isometric view of an embodiment of my design for a rifle hand guard;

FIG. 14 is a front view of the design for the rifle hand guard shown in FIG. 13;

FIG. 15 is a rear view of the design for the rifle hand guard shown in FIG. 13;

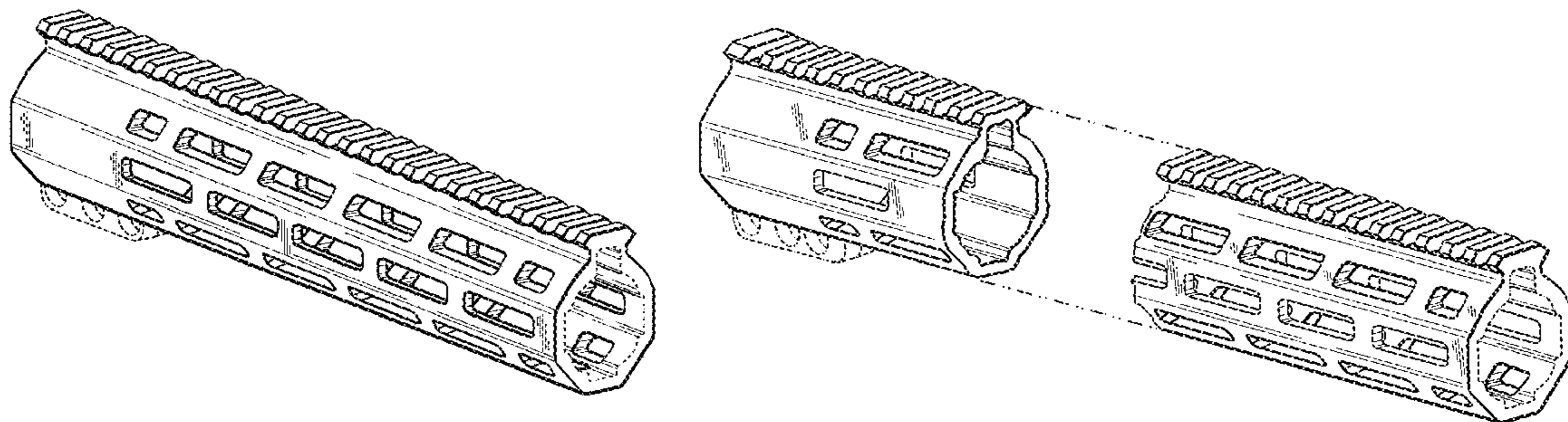
FIG. 16 is a top view of the design for the rifle hand guard shown in FIG. 13;

FIG. 17 is a bottom view of the design for the rifle hand guard shown in FIG. 13; and,

FIG. 18 is a right side view of the design for the rifle hand guard shown in FIG. 13, the left side view being a mirror image thereof.

The broken lines in all the drawing views illustrate portions of the firearm hand guard which form no part of the claimed design.

1 Claim, 6 Drawing Sheets



(58) **Field of Classification Search**

CPC F41C 23/10; F41C 23/14; F41C 23/16;
F41C 23/18

See application file for complete search history.

(56) **References Cited**

U.S. PATENT DOCUMENTS

D674,859 S	1/2013	Robbins et al.	
8,453,364 B2	6/2013	Kucynko	
D709,582 S	7/2014	Geissele	
D715,885 S	10/2014	Silvers et al.	
D721,407 S	1/2015	Chu	
D747,426 S	1/2016	Cheng et al.	
D779,014 S *	2/2017	Cheng et al.	D22/108
D783,760 S *	4/2017	Pavlick	D22/108
D783,761 S *	4/2017	Pavlick	D22/108
D785,743 S *	5/2017	Pavlick	D22/108
D787,004 S *	5/2017	Spector et al.	D22/108
D809,084 S *	1/2018	Geissele	D22/108
D812,177 S *	3/2018	Geissele	D22/108
2010/0212201 A1	8/2010	Kinzel et al.	
2015/0135576 A1	5/2015	Wells et al.	

* cited by examiner

FIG.1

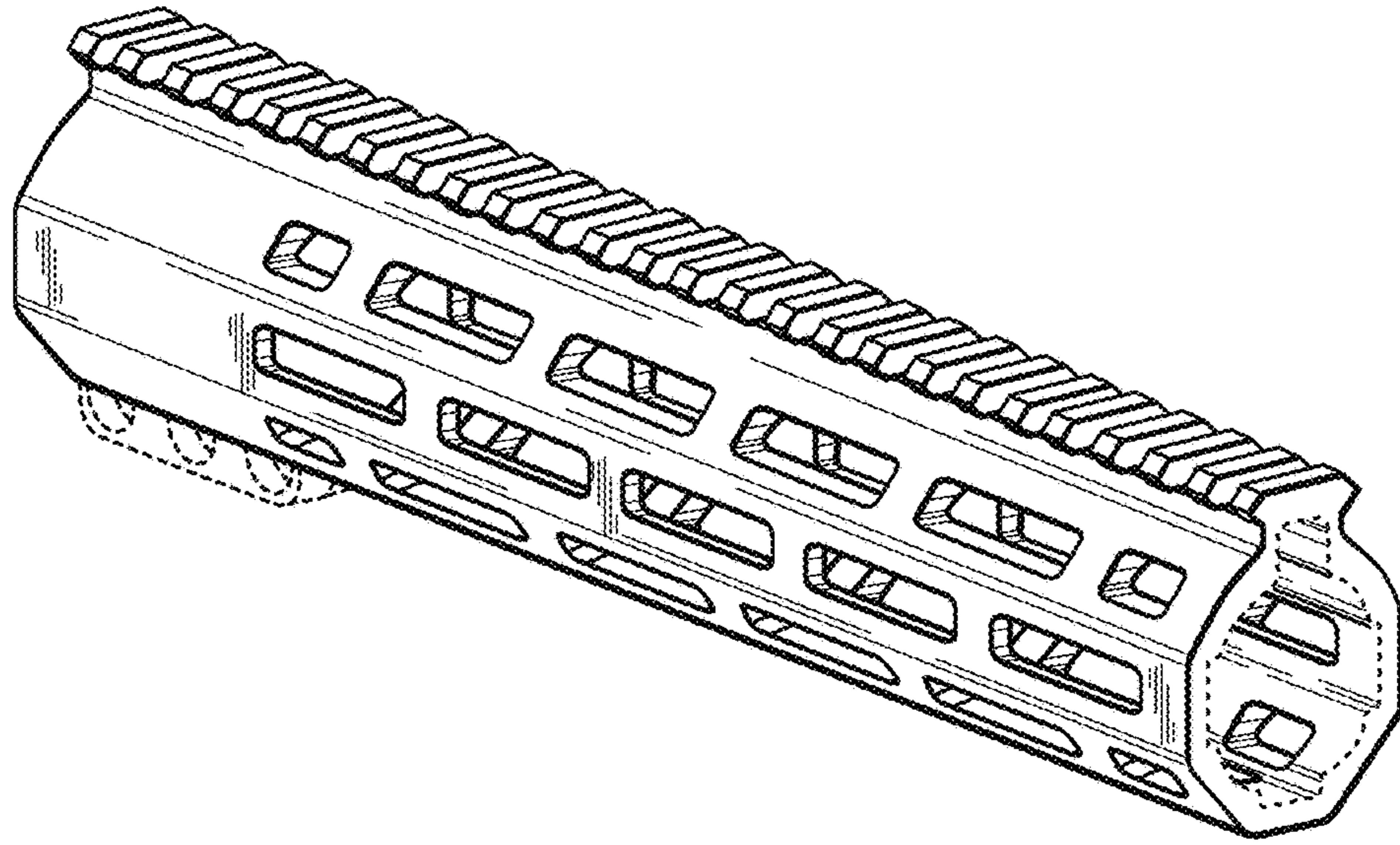


FIG.2

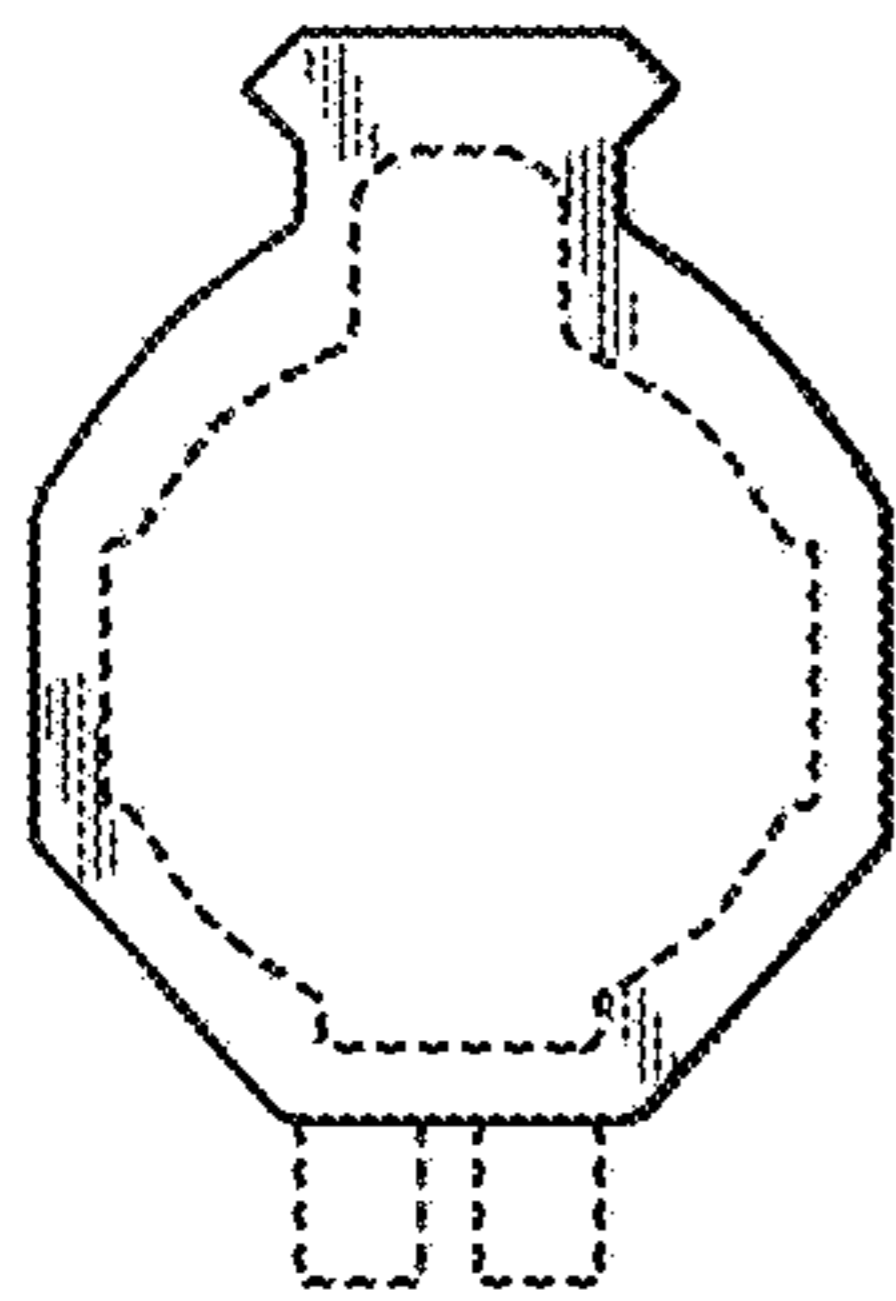


FIG.3

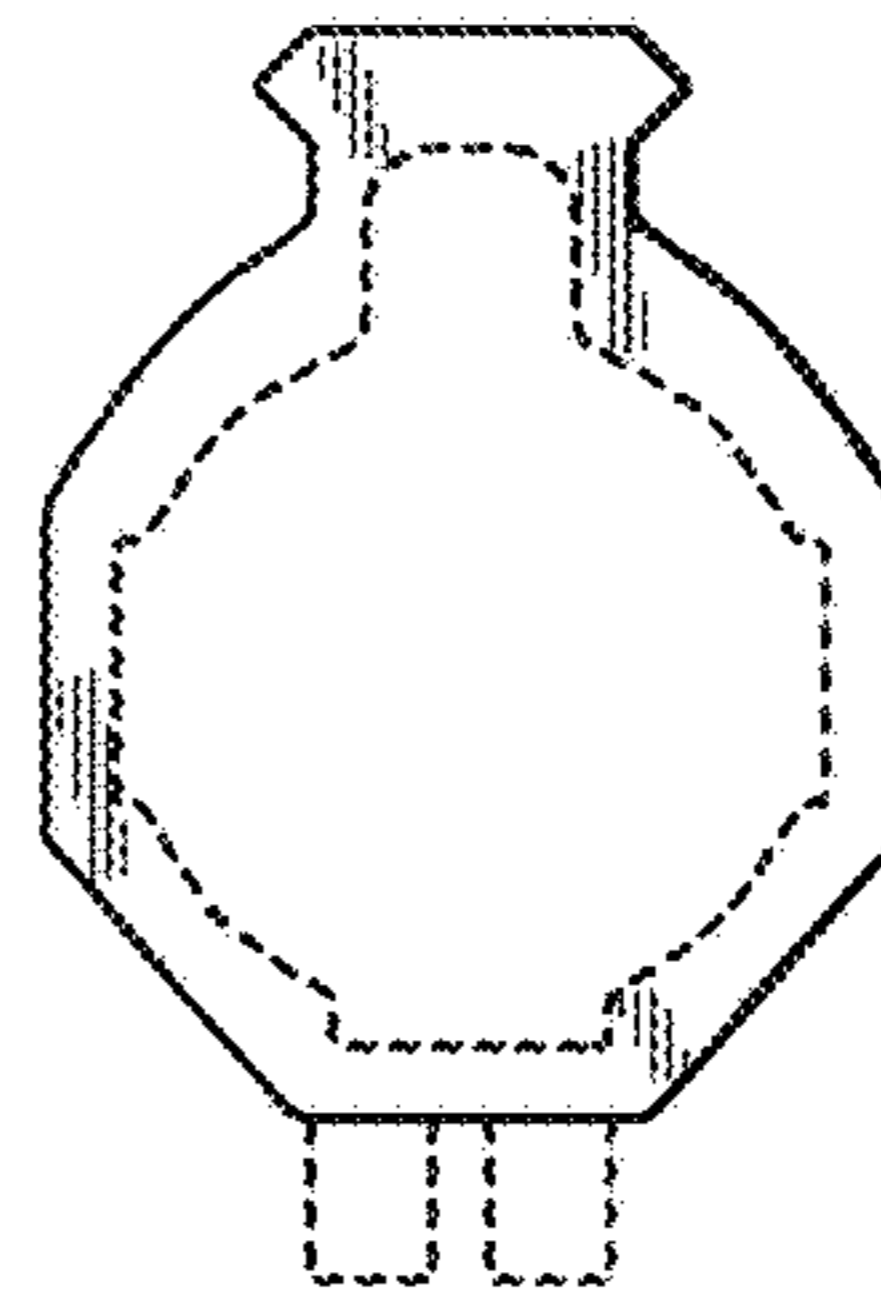


FIG.4

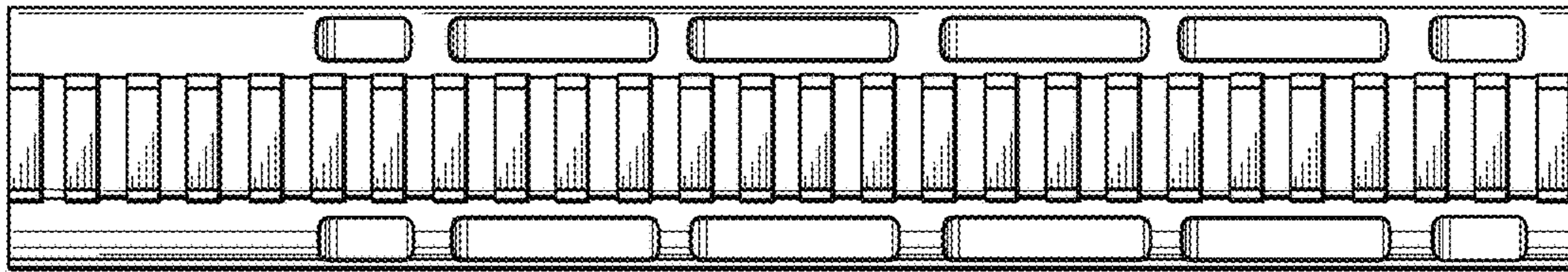


FIG.5

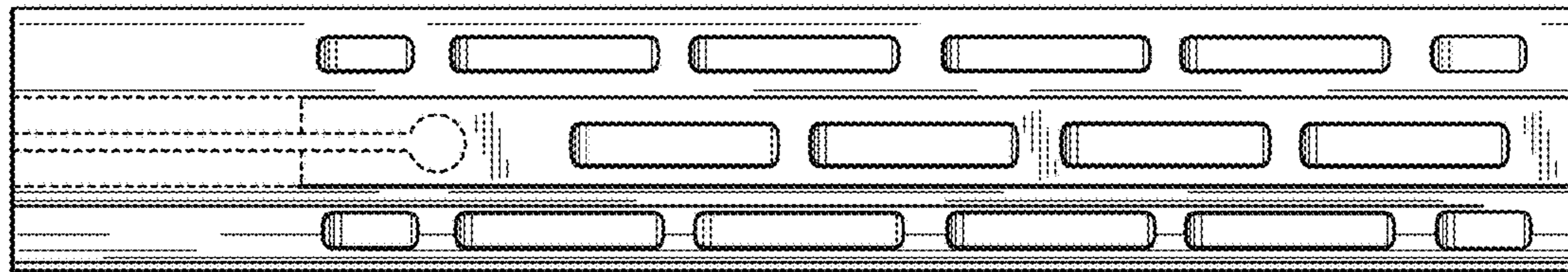


FIG.6

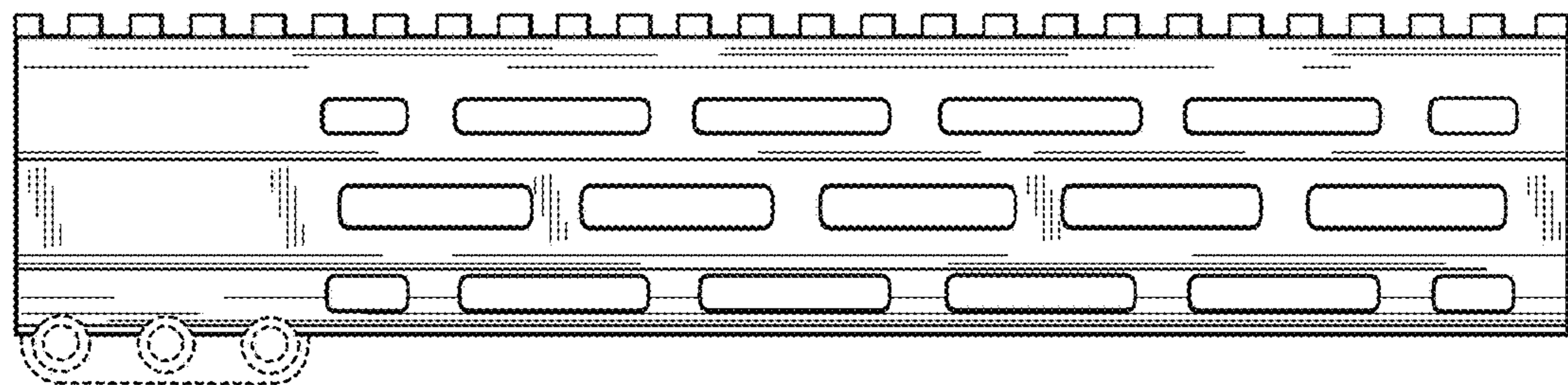


FIG.7

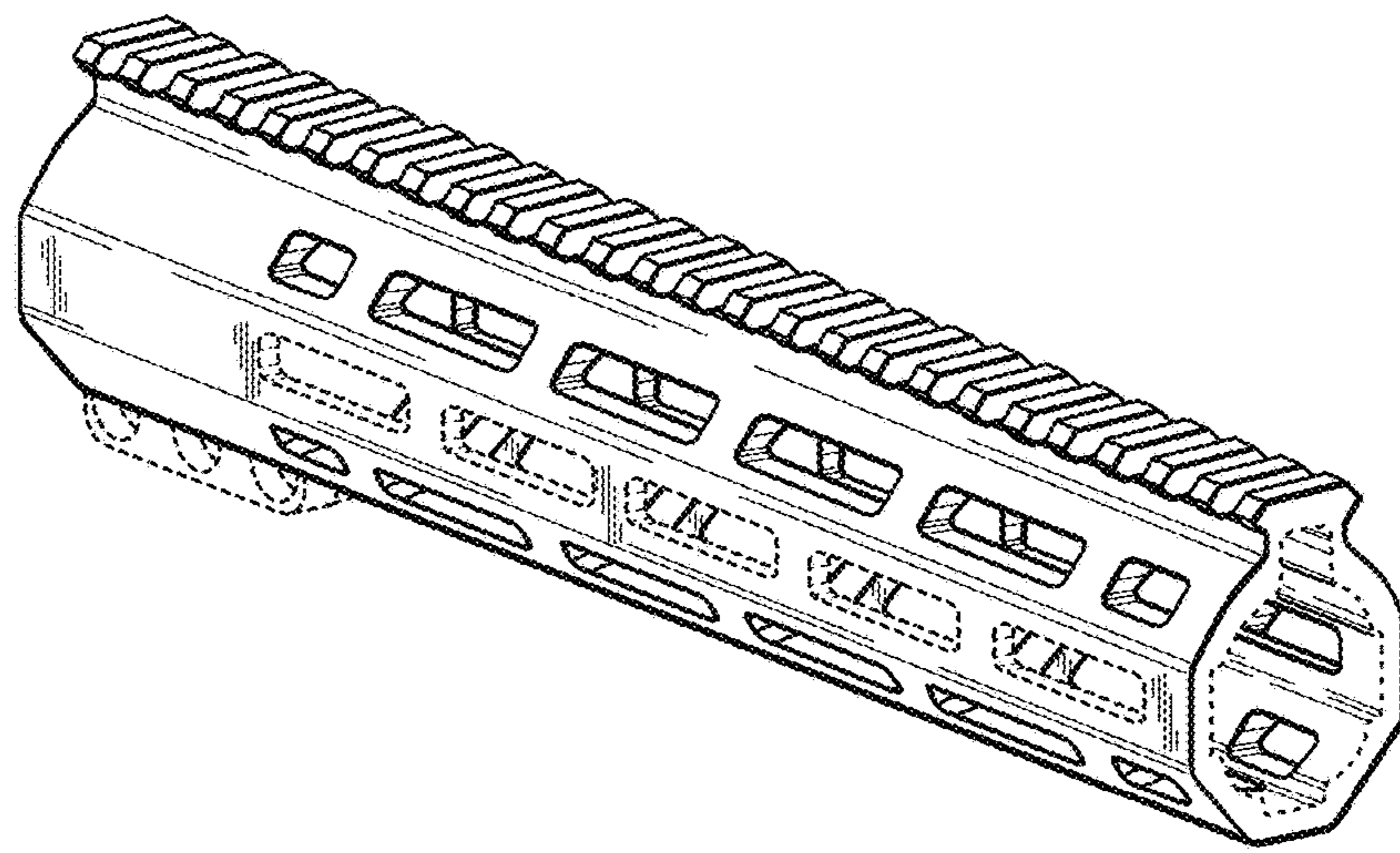


FIG.8

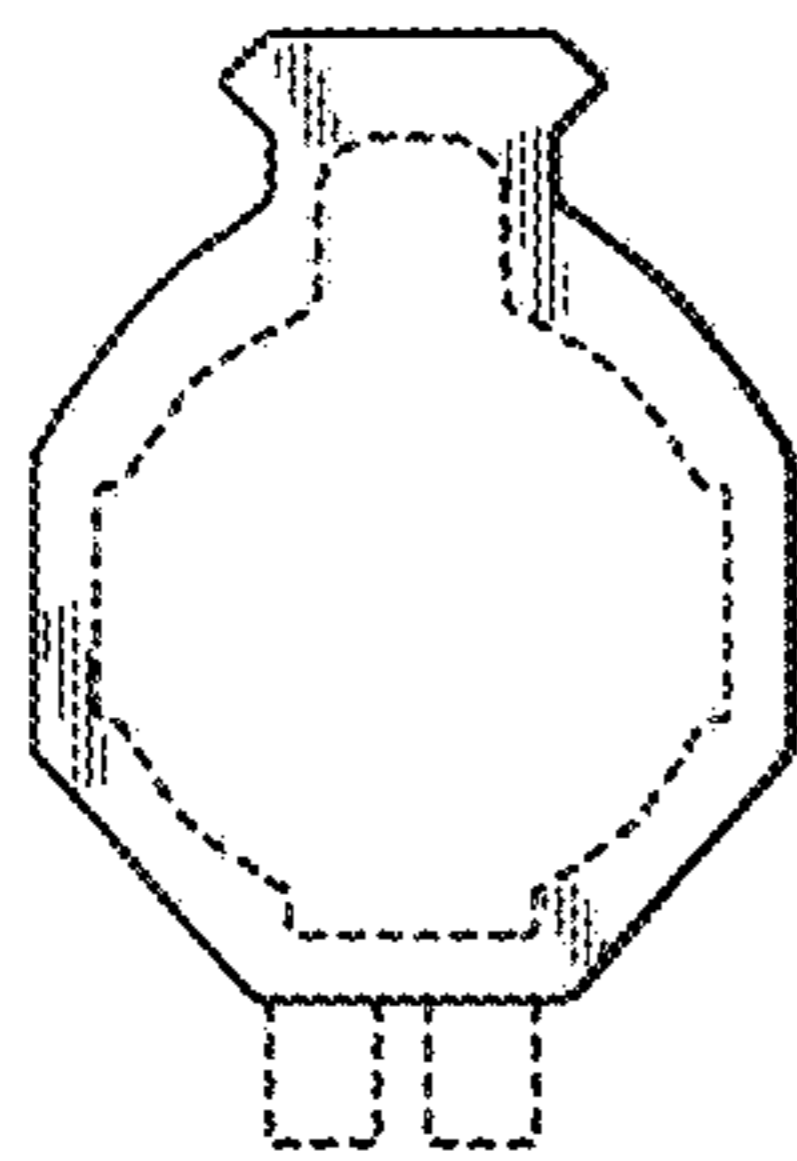


FIG.9

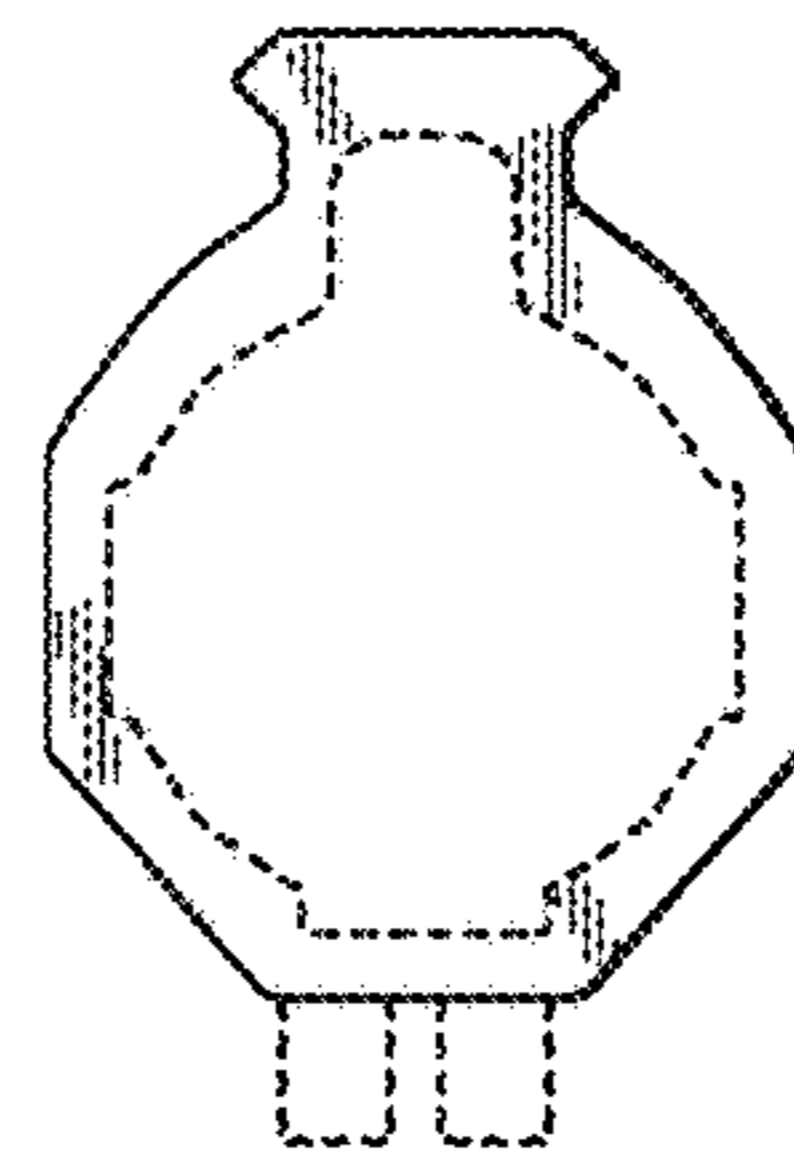


FIG.10

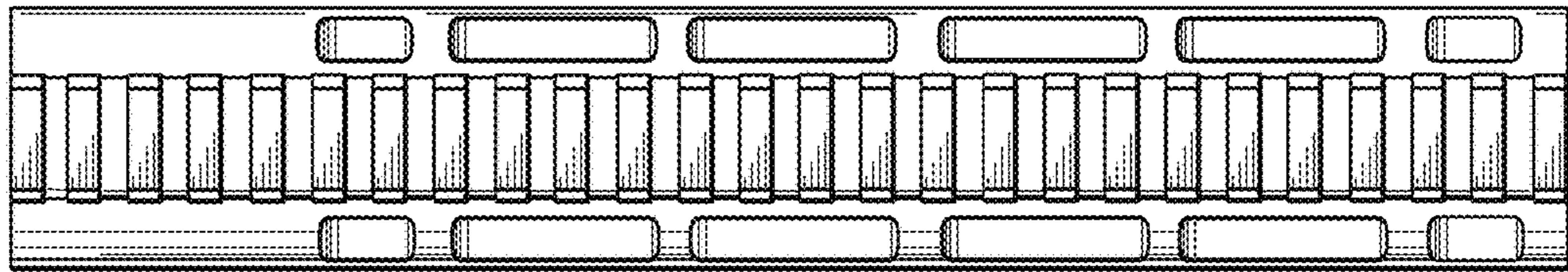


FIG.11

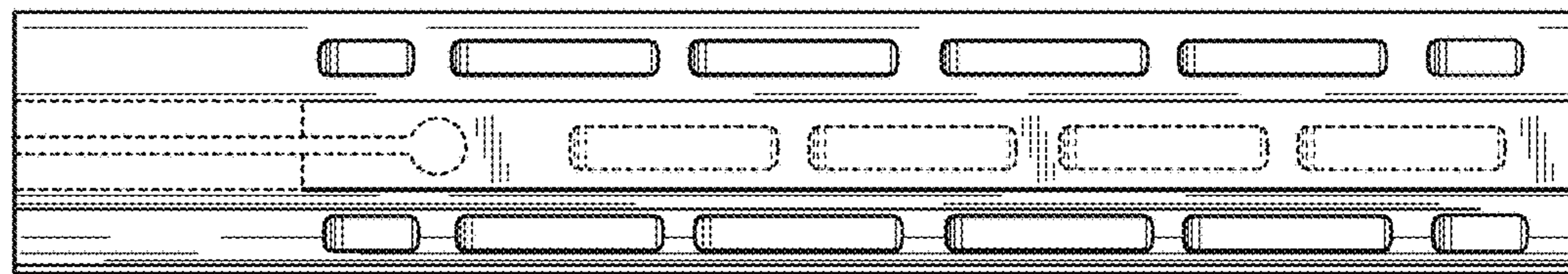
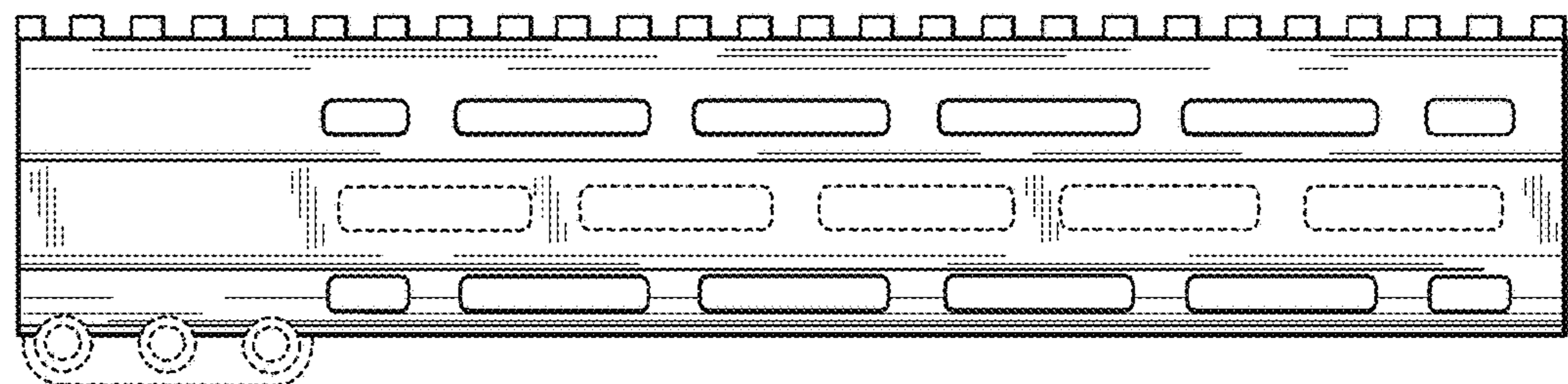


FIG.12



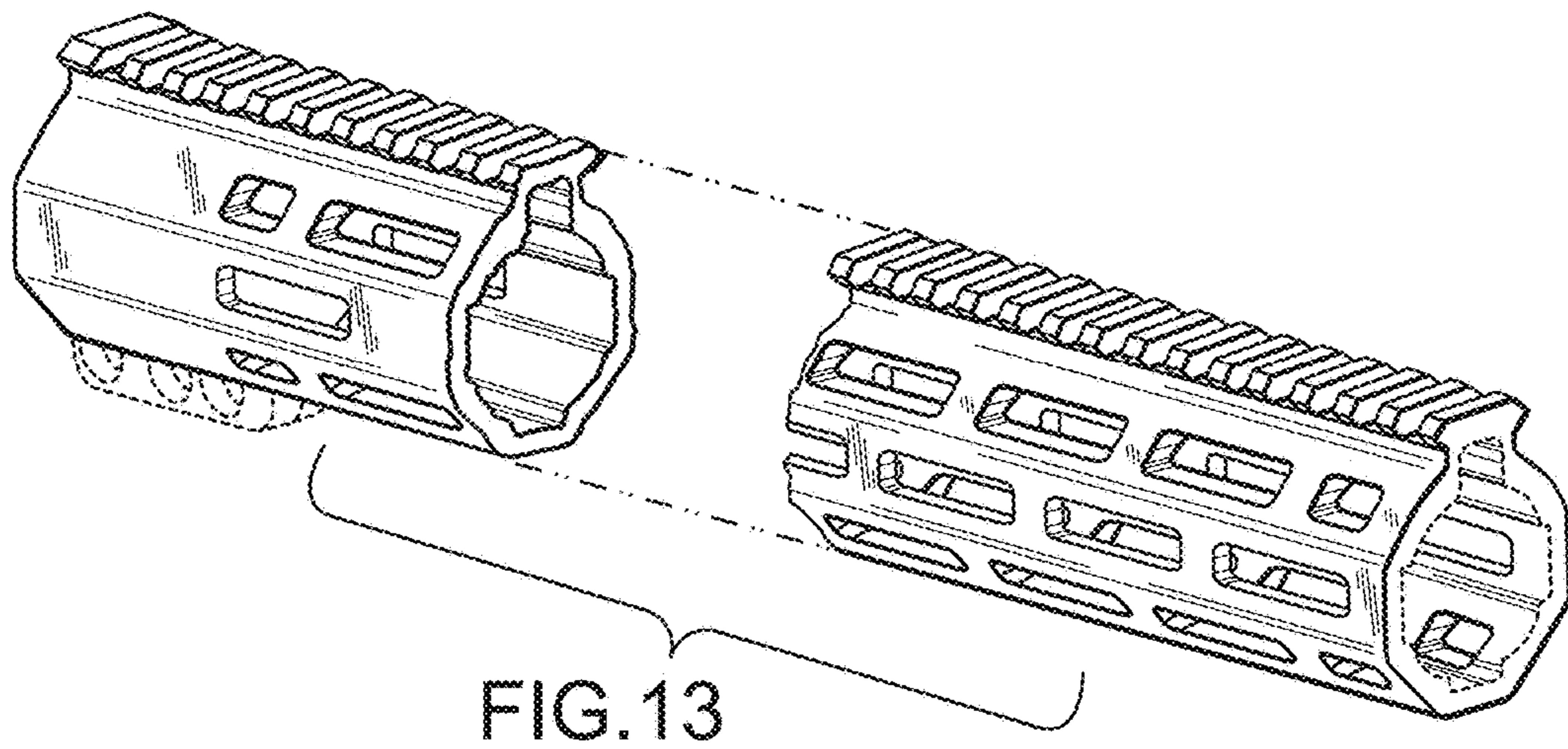


FIG. 14

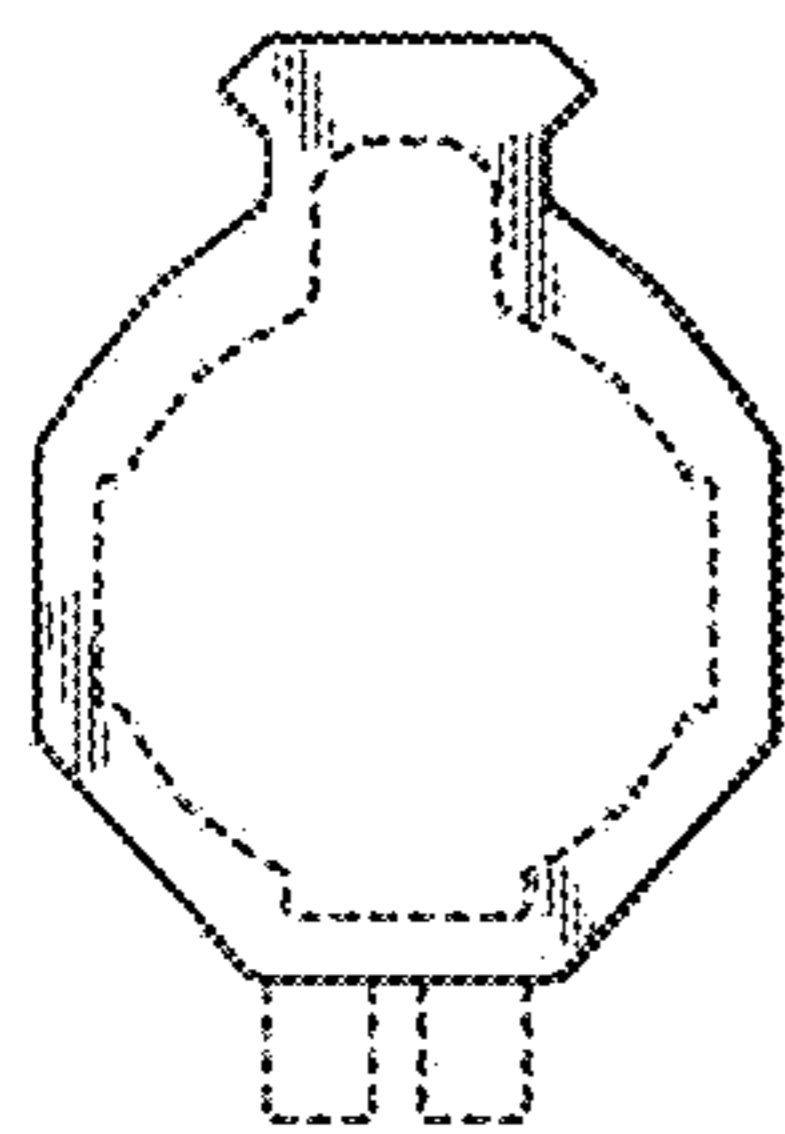


FIG. 15

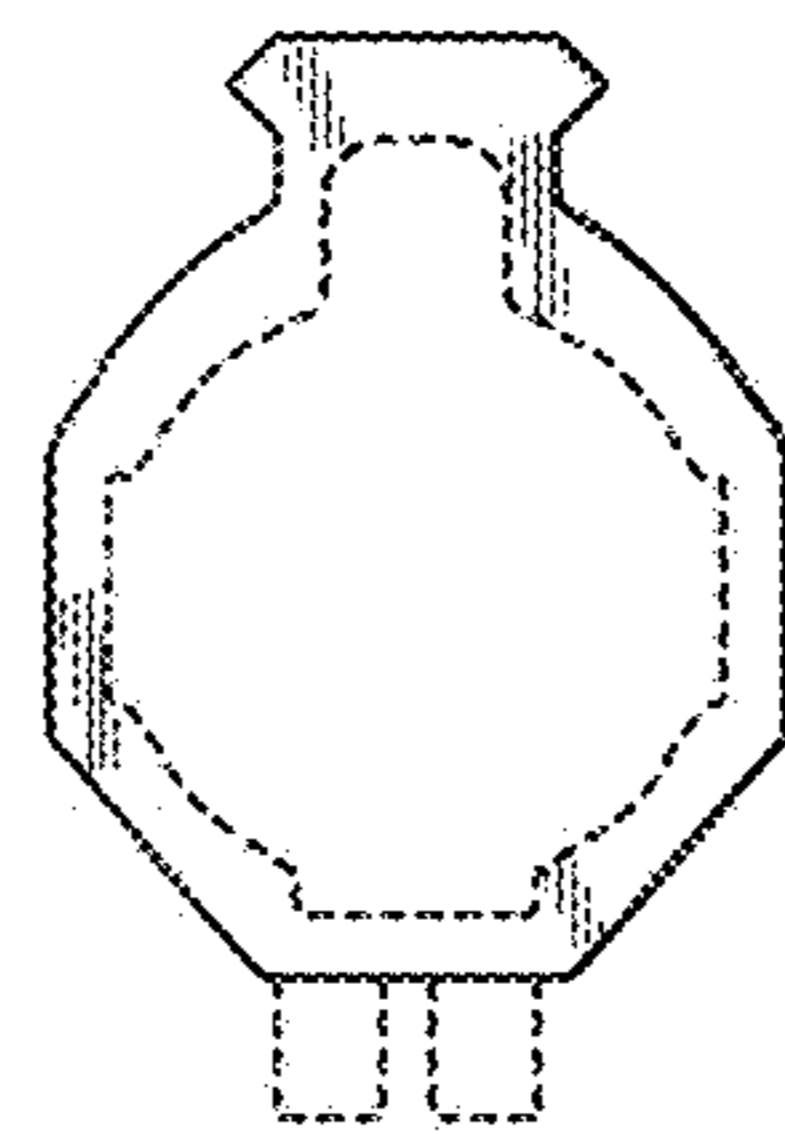


FIG.16

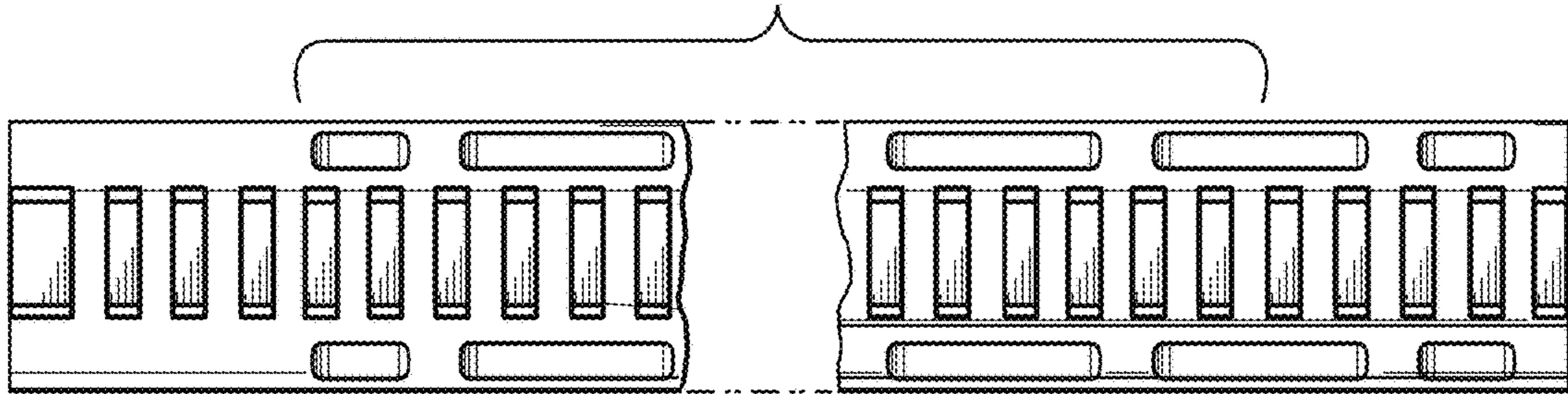


FIG.17

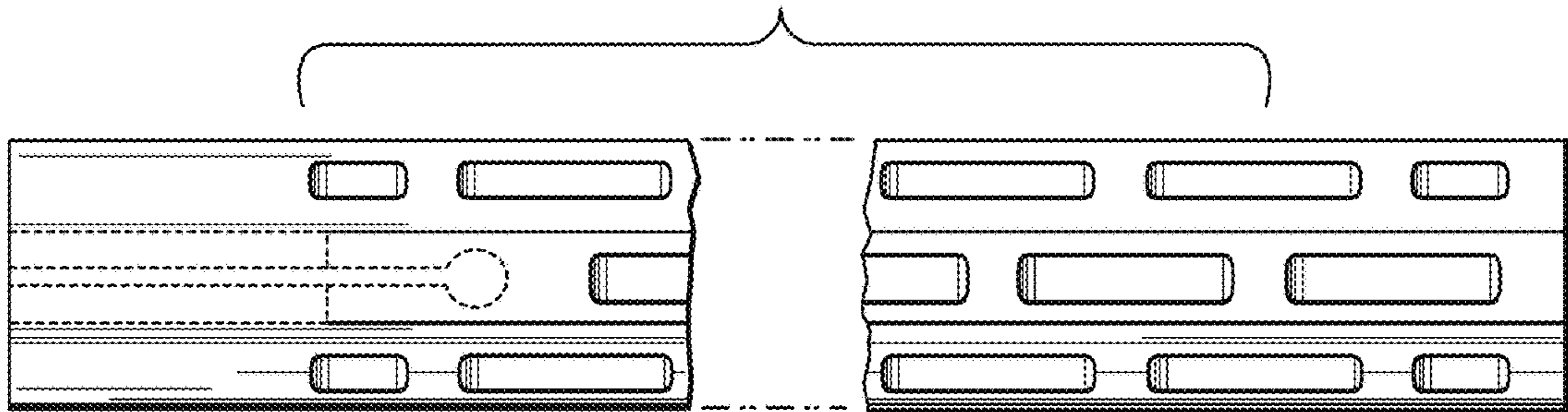


FIG.18

