



US00D827066S

(12) **United States Design Patent** (10) **Patent No.:** **US D827,066 S**
Beach et al. (45) **Date of Patent:** **** *Aug. 28, 2018**

(54) **GOLF CLUB HEAD**

(71) Applicant: **Taylor Made Golf Company, Inc.**,
Carlsbad, CA (US)
(72) Inventors: **Todd P. Beach**, Encinitas, CA (US);
Nathan T. Sargent, Oceanside, CA
(US); **Joseph Reeve Nielson**, Vista, CA
(US); **Christopher John Harbert**,
Carlsbad, CA (US); **Brian Bazzel**,
Carlsbad, CA (US); **Mark Vincent**
Greaney, Vista, CA (US)

(73) Assignee: **Taylor Made Golf Company, Inc.**,
Carlsbad, CA (US)

(*) Notice: This patent is subject to a terminal dis-
claimer.

(**) Term: **15 Years**

(21) Appl. No.: **29/577,447**

(22) Filed: **Sep. 13, 2016**

Related U.S. Application Data

(63) Continuation of application No. 29/527,640, filed on
May 20, 2015, now Pat. No. Des. 774,152.

(51) **LOC (11) Cl.** **21-02**

(52) **U.S. Cl.**
USPC **D21/752**

(58) **Field of Classification Search**
USPC D21/733, 752, 759
CPC A63B 53/00; A63B 53/04; A63B 53/0466;
A63B 2053/002; A63B 2053/0445; A63B
2053/0433; A63B 2053/0491; A63B
2053/0437

See application file for complete search history.

(56) **References Cited**

U.S. PATENT DOCUMENTS

D482,089 S * 11/2003 Burrows D21/752
D482,090 S * 11/2003 Burrows D21/752

(Continued)

FOREIGN PATENT DOCUMENTS

JP 3109501 U 3/2005
JP 2006-320493 A 11/2006

Primary Examiner — Mitchell I. Siegel

(74) *Attorney, Agent, or Firm* — Klarquist Sparkman LLP

(57) **CLAIM**

We claim the ornamental design for a golf club head, as
shown and described.

DESCRIPTION

FIG. 1 is a perspective view of a golf club head, as viewed
from the bottom, front and one side, according to one
embodiment.

FIG. 2 is a front elevation view of the golf club head of FIG.
1.

FIG. 3 is a rear elevation view of the golf club head of FIG.
1.

FIG. 4 is a side elevation view of a toe side of the golf club
head of FIG. 1.

FIG. 5 is a side elevation view of an opposite heel side of the
golf club head of FIG. 1.

FIG. 6 is a top plan view of the golf club head of FIG. 1.

FIG. 7 is a bottom plan view of the golf club head of FIG.
1.

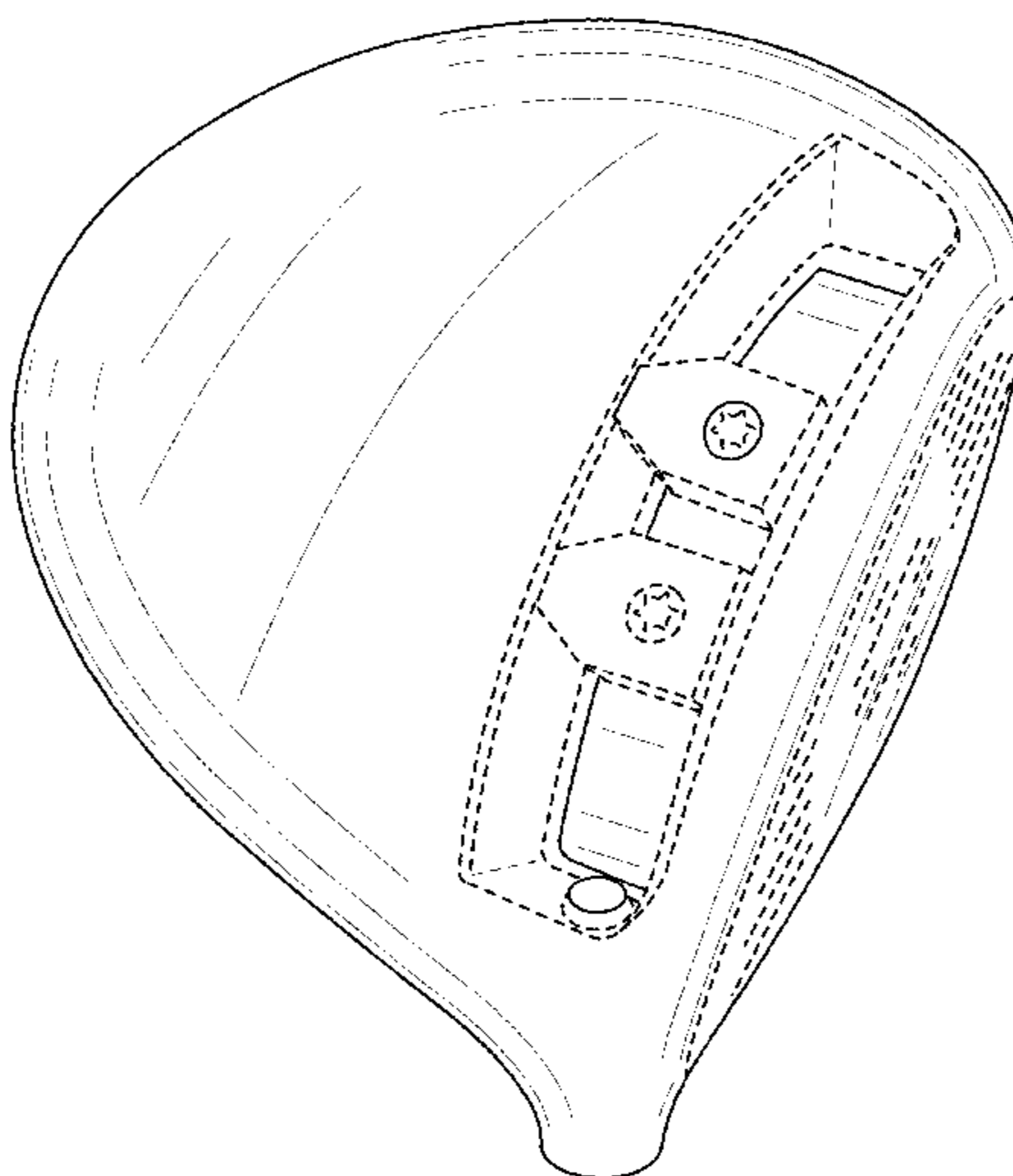
FIG. 8 is a bottom plan view of the golf club head of FIG.
1 but with slidable weights shown in an alternate position.

FIG. 9 is a bottom plan view of the golf club head of FIG.
1 but with slidable weights shown in yet another alternate
position; and,

FIG. 10 is a bottom plan view of a golf club head in
accordance with a second embodiment.

The dashed lines in the drawings are for purposes of
illustrating environmental structure as well as portions of the
design that form no part of the claimed design.

1 Claim, 8 Drawing Sheets



(56)

References Cited

U.S. PATENT DOCUMENTS

D484,208 S *	12/2003	Burrows	D21/752	D714,869 S *	10/2014	Turner	D19/86
D501,036 S *	1/2005	Burrows	D21/752	D714,891 S	10/2014	Greensmith		
D557,363 S	12/2007	Jertson et al.			D714,892 S	10/2014	Atwell		
D558,287 S	12/2007	Jertson et al.			8,888,607 B2 *	11/2014	Harbert	A63B 53/04 473/307
D558,288 S	12/2007	Jertson et al.			D724,165 S	3/2015	Cardani et al.		
D579,064 S	10/2008	Beach et al.			8,986,133 B2	3/2015	Bennett et al.		
D617,403 S	6/2010	Llewellyn et al.			9,089,747 B2	7/2015	Boyd et al.		
D618,746 S	6/2010	Jertson et al.			9,089,749 B2	7/2015	Burnett et al.		
D618,747 S	6/2010	Jertson et al.			9,168,428 B2 *	10/2015	Albertsen	A63B 53/0466
D628,257 S	11/2010	Albertsen			9,220,953 B2 *	12/2015	Beach	A63B 53/04
D630,278 S	1/2011	Albertsen			D767,694 S	9/2016	Nielson et al.		
D630,696 S	1/2011	Albertsen			D770,584 S *	11/2016	Sargent	D21/759
D631,119 S	1/2011	Albertsen			D774,152 S *	12/2016	Beach	D21/752
D655,363 S	3/2012	Vrska			D782,590 S *	3/2017	Sargent	D21/759
8,235,844 B2	8/2012	Albertsen et al.			D783,105 S	4/2017	Oyler		
D675,272 S	1/2013	Greensmith et al.			2007/0049417 A1	3/2007	Shear		
D686,679 S	7/2013	Greensmith et al.			2014/0080622 A1	3/2014	Sargent et al.		
D692,077 S	10/2013	Greensmith et al.			2014/0080628 A1	3/2014	Sargent et al.		
D697,152 S	1/2014	Harbert et al.			2014/0080629 A1 *	3/2014	Sargent	A63B 53/0466 473/336
D708,280 S *	7/2014	Sargent	D21/759	2016/0001146 A1	1/2016	Sargent et al.		
D709,571 S *	7/2014	Sargent	D21/759	2016/0059093 A1 *	3/2016	Nielson	A63B 53/02 473/338
D709,572 S *	7/2014	Sargent	D21/759					
8,821,312 B2	9/2014	Burnett et al.							

* cited by examiner

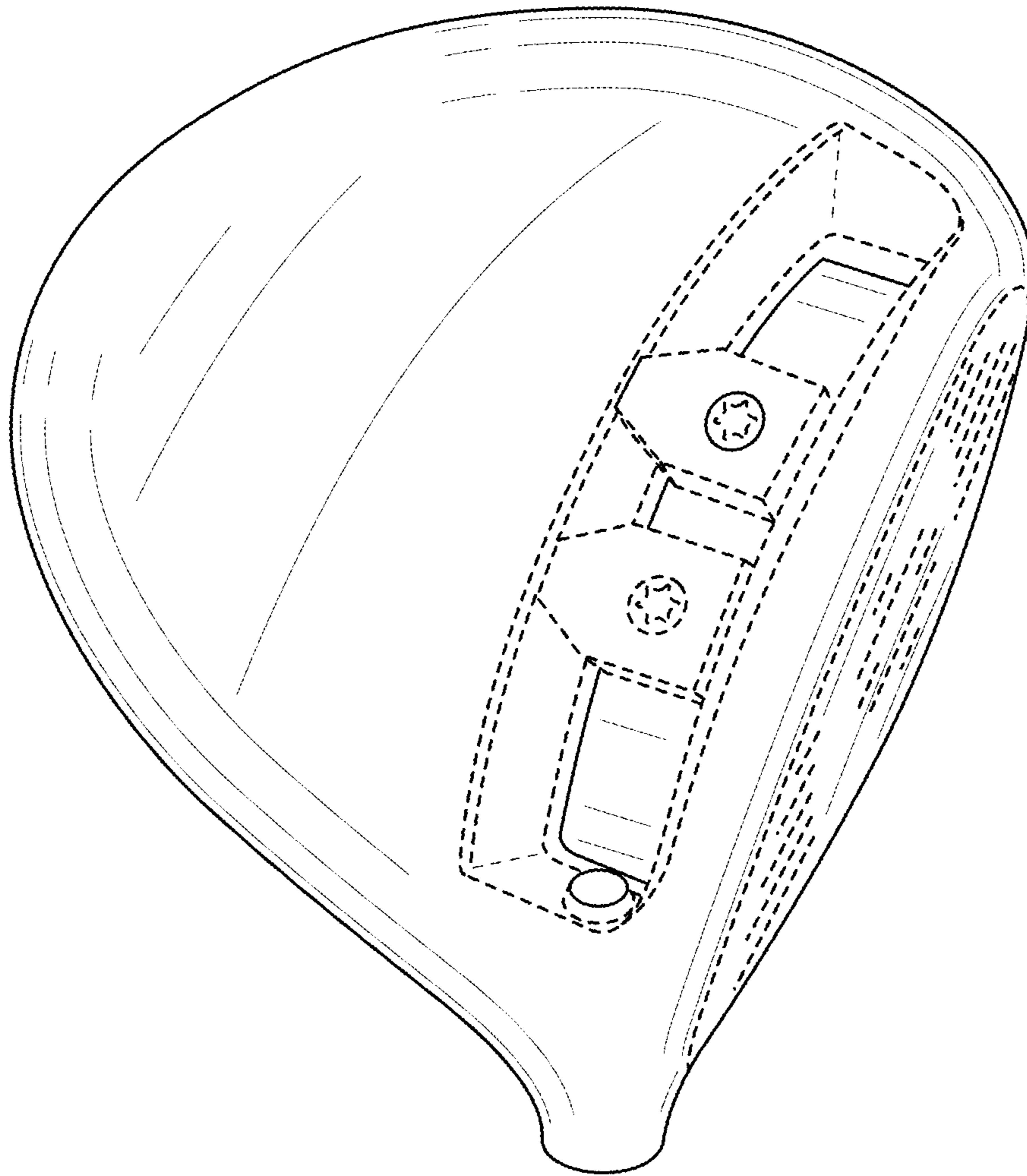


FIG. 1

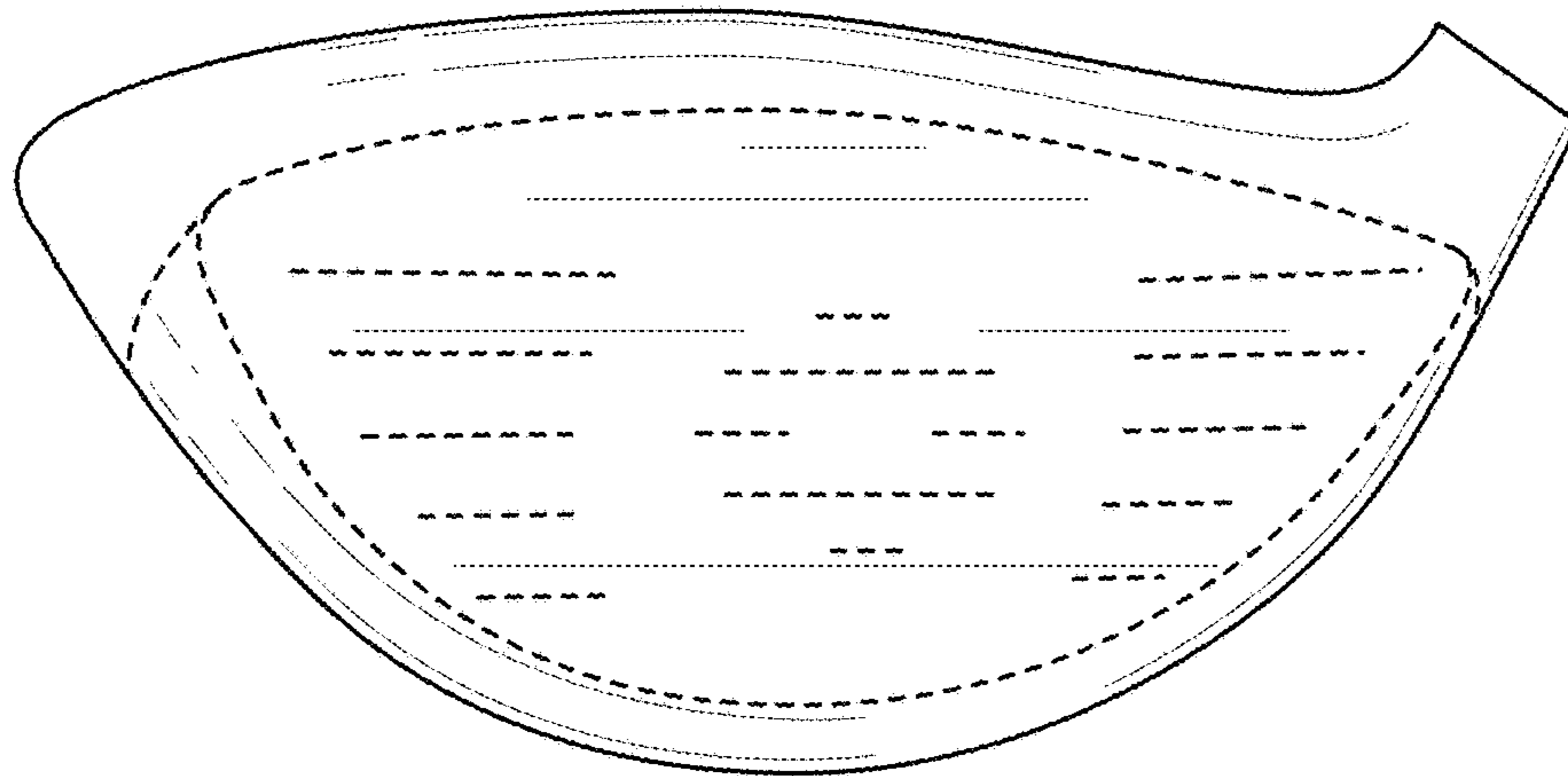


FIG. 2

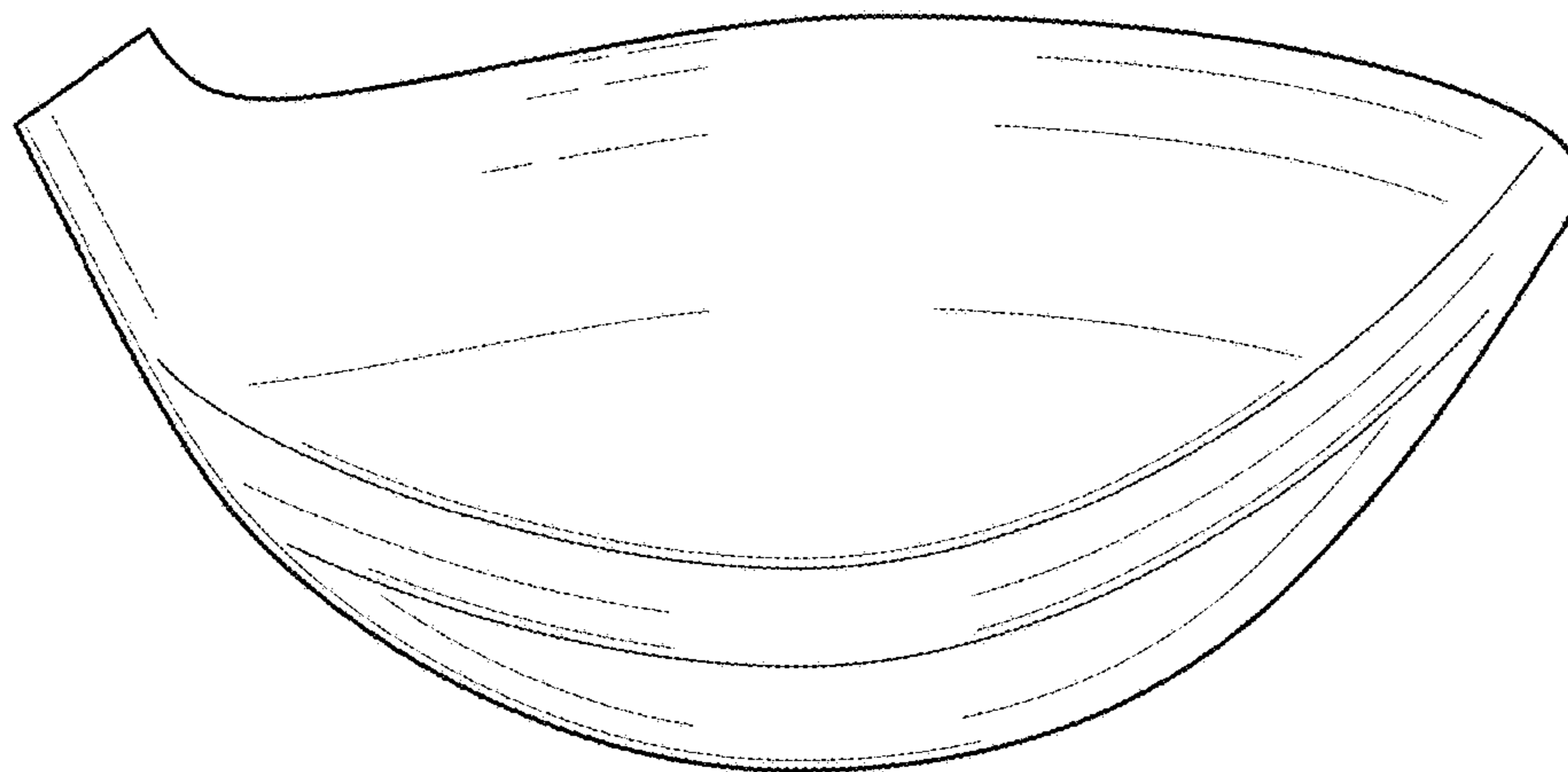


FIG. 3

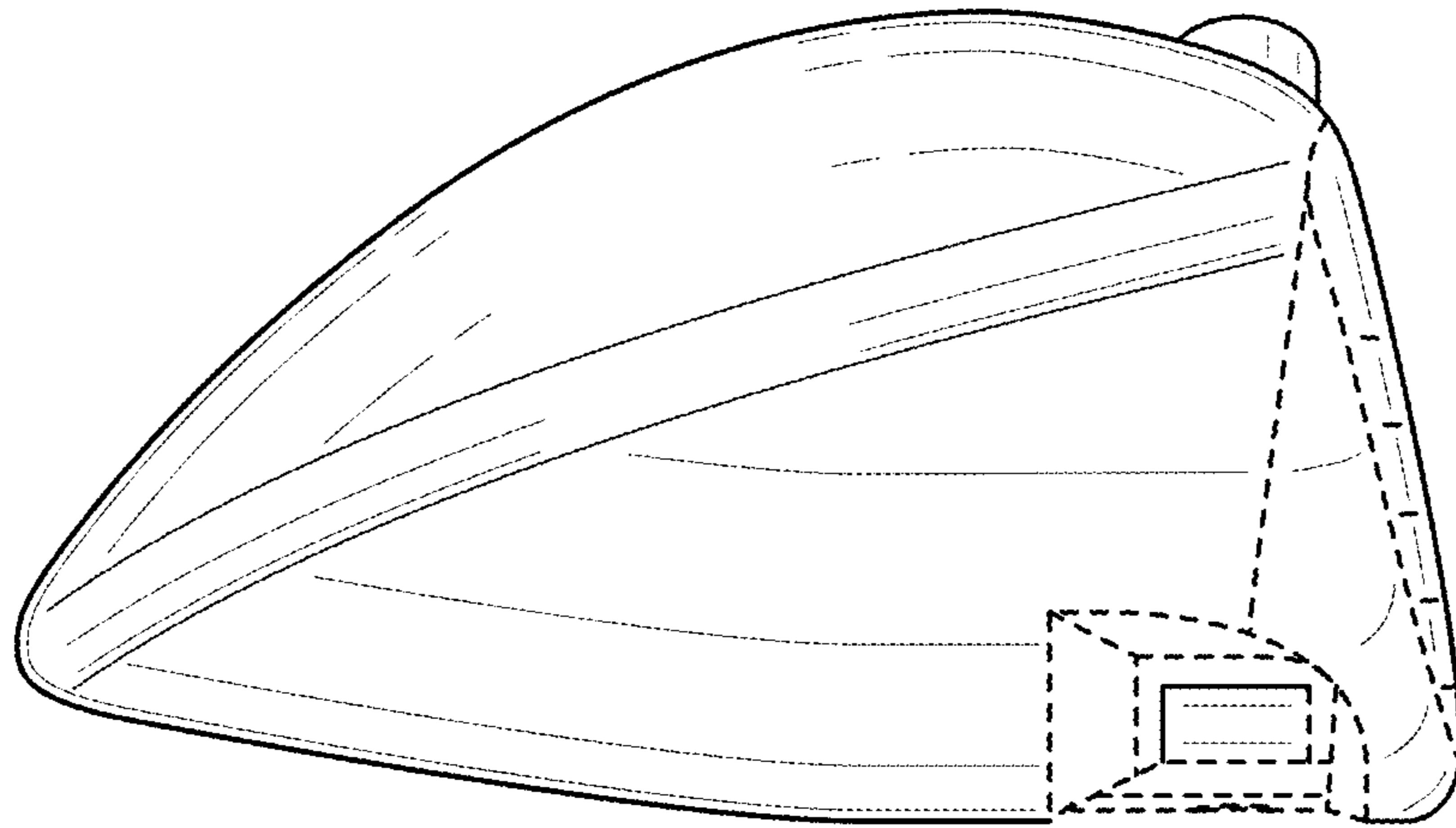


FIG. 4

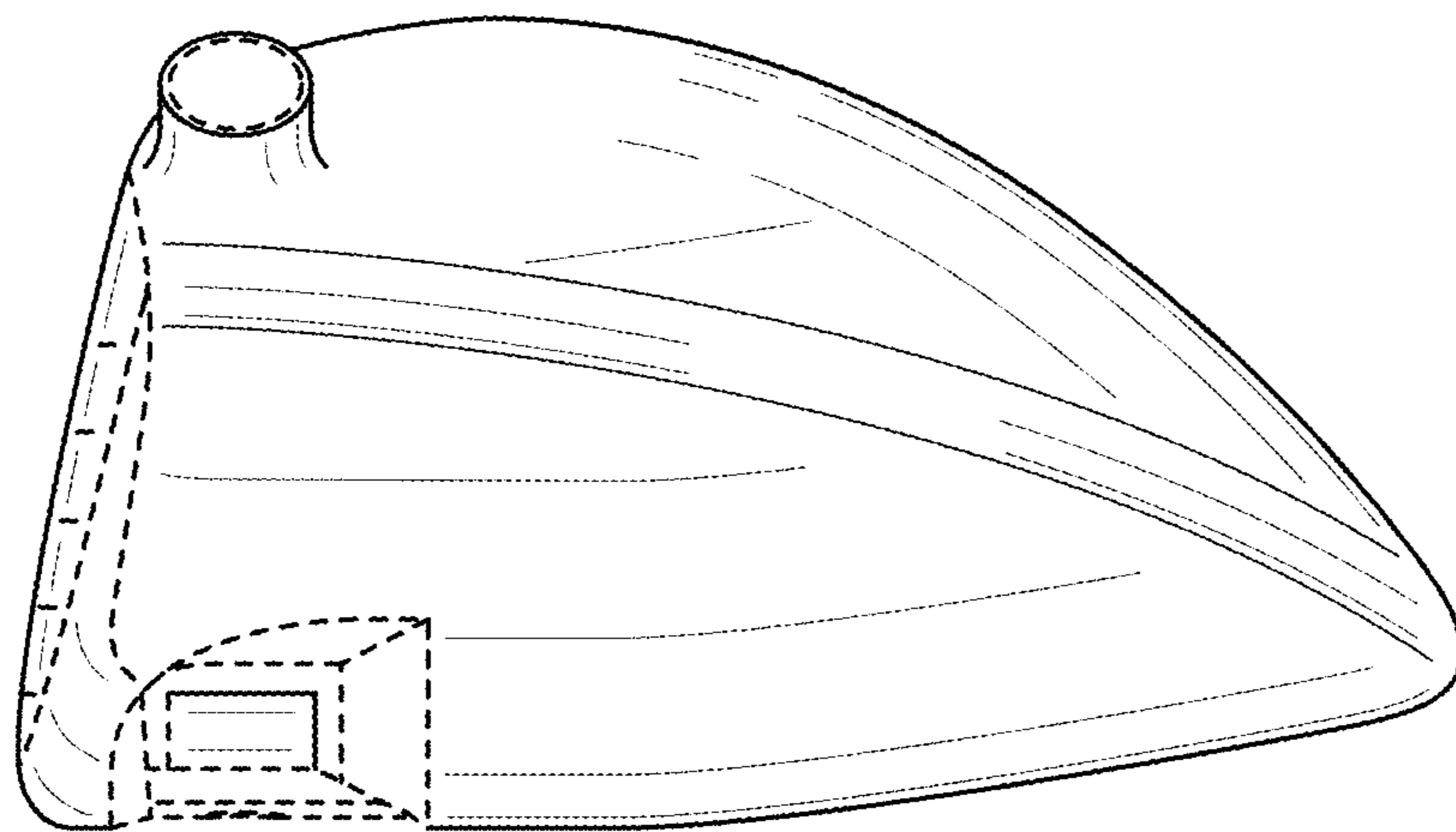


FIG. 5

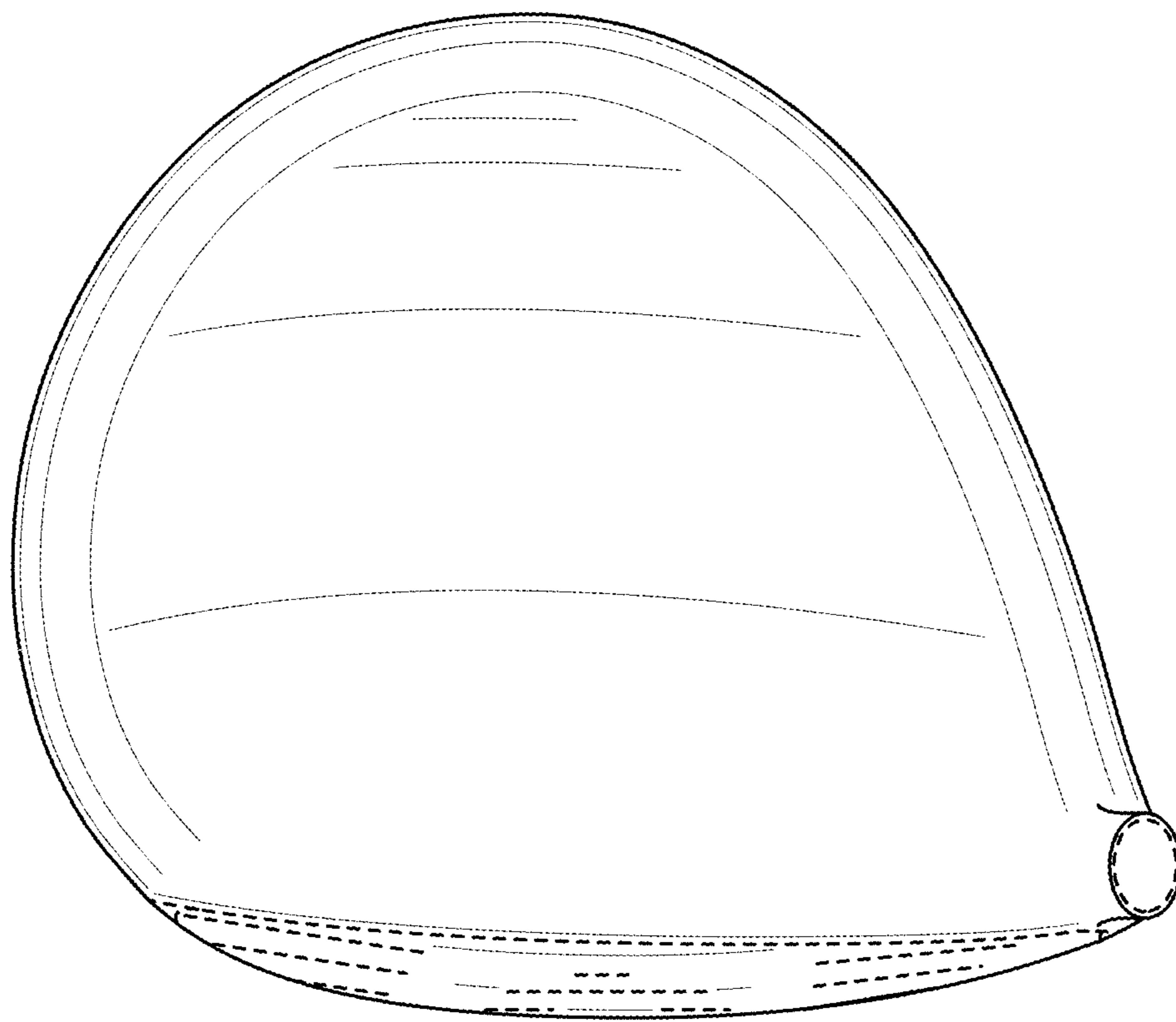


FIG. 6

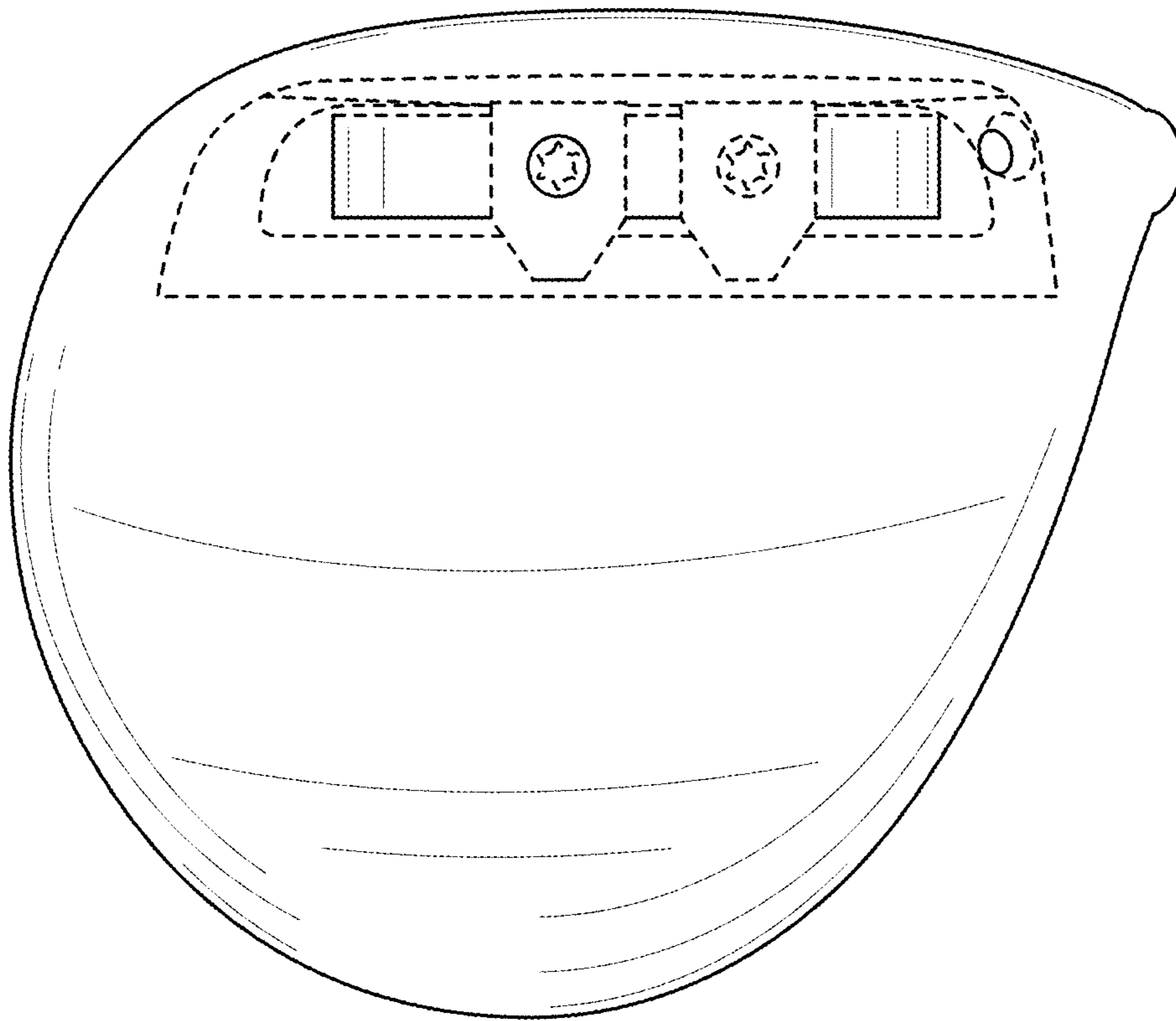


FIG. 7

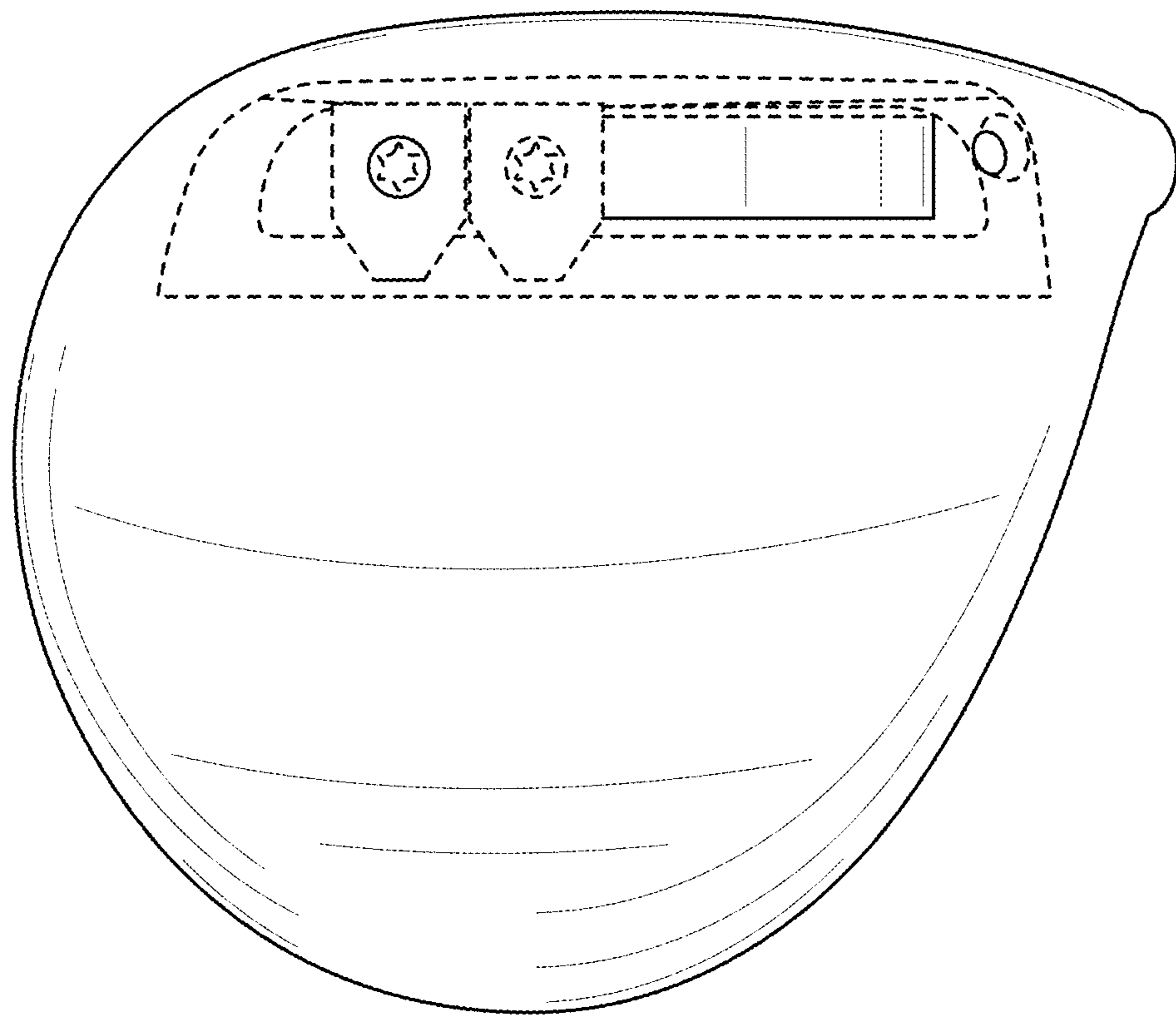


FIG. 8

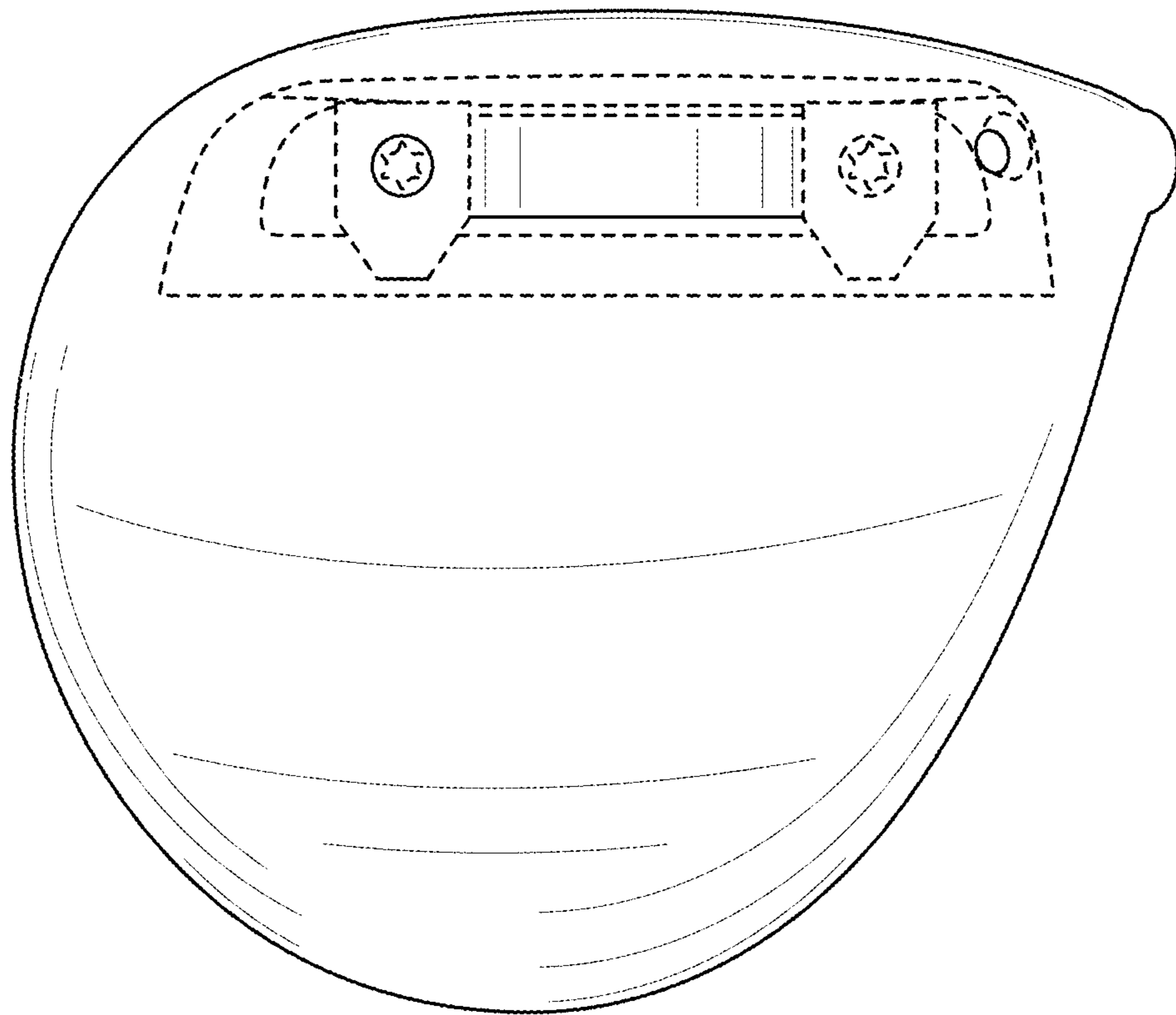


FIG. 9

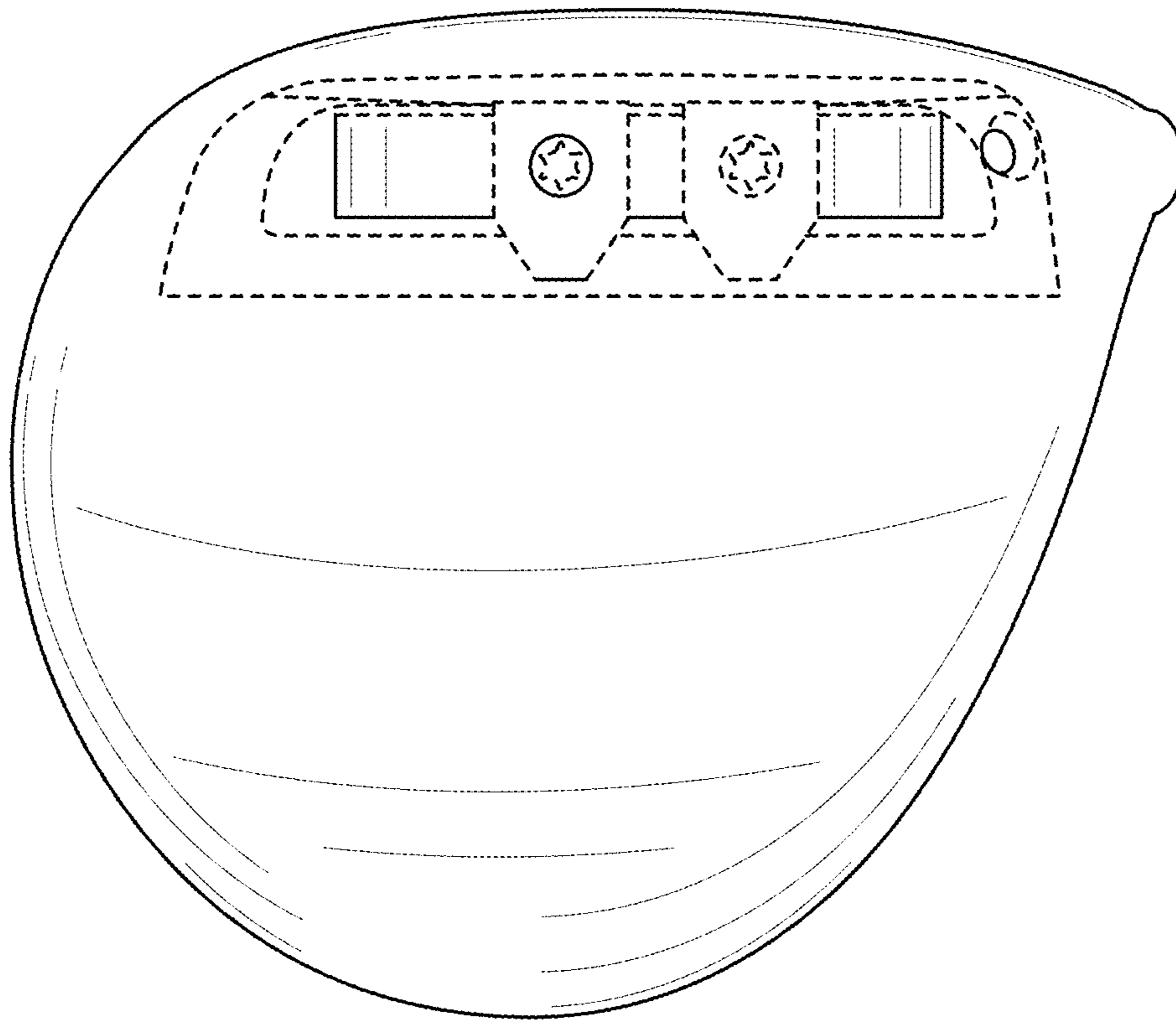


FIG. 10