



US00D827064S

(12) **United States Design Patent** (10) **Patent No.:** **US D827,064 S**  
**Wypych et al.** (45) **Date of Patent:** **\*\* Aug. 28, 2018**

(54) **PUTTER HEAD**

(71) Applicant: **Callaway Golf Company**, Carlsbad, CA (US)

(72) Inventors: **Ryan Wypych**, Vista, CA (US); **Wee Joung Kim**, Vista, CA (US); **Augustin W. Rollinson**, Solana Beach, CA (US)

(73) Assignee: **Callaway Golf Company**, Carlsbad, CA (US)

(\*\*) Term: **15 Years**

(21) Appl. No.: **29/614,783**

(22) Filed: **Aug. 23, 2017**

(51) **LOC (11) Cl.** ..... **21-02**

(52) **U.S. Cl.**  
USPC ..... **D21/743**

(58) **Field of Classification Search**  
USPC ..... D21/736-746, 759  
CPC ..... A63B 53/00; A63B 53/04; A63B 53/007; A63B 53/065; A63B 53/0487; A63B 60/00; A63B 60/46  
See application file for complete search history.

D623,710 S \* 9/2010 Hilton ..... A63B 53/0487 D21/743

D643,485 S \* 8/2011 Nicolette ..... D21/736

D653,718 S \* 2/2012 Stokke ..... D21/743

D664,617 S \* 7/2012 Serrano ..... D21/743

D715,388 S \* 10/2014 Serrano ..... D21/743

D730,462 S \* 5/2015 Becktor ..... D21/742

D732,121 S \* 6/2015 Trahan ..... D21/742

D732,122 S \* 6/2015 Becktor ..... D21/742

D750,186 S \* 2/2016 Schweigert ..... D21/746

D774,607 S \* 12/2016 Serrano ..... D21/743

D774,610 S \* 12/2016 Serrano ..... D21/744

D777,269 S \* 1/2017 Becktor ..... D21/742

D783,101 S \* 4/2017 Schweigert ..... D21/736

D793,502 S \* 8/2017 Cardani ..... D21/743

D796,604 S \* 9/2017 Serrano ..... D21/744

D800,855 S \* 10/2017 Rollinson ..... D21/742

D801,458 S \* 10/2017 Rollinson ..... D21/742

D803,334 S \* 11/2017 Becktor ..... D21/742

\* cited by examiner

*Primary Examiner* — Mitchell I. Siegel  
(74) *Attorney, Agent, or Firm* — Rebecca Hanovice; Michael Catania; Sonia Lari

(57) **CLAIM**

The ornamental design for a putter head, as shown and described.

**DESCRIPTION**

FIG. 1 is a rear perspective view of the putter head claimed herein;  
FIG. 2 is a front elevational view thereof;  
FIG. 3 is a rear elevational view thereof;  
FIG. 4 is a left side elevational view thereof;  
FIG. 5 is a right side elevational view thereof;  
FIG. 6 is a top plan view thereof; and,  
FIG. 7 is a bottom plan view thereof.  
The broken lines are included for the purpose of illustration and form no part of the claimed design.

**1 Claim, 5 Drawing Sheets**

(56) **References Cited**

U.S. PATENT DOCUMENTS

5,685,784 A \* 11/1997 Butler ..... A63B 53/0487 473/255

D496,417 S \* 9/2004 Tang ..... D21/738

D557,361 S \* 12/2007 Rollinson ..... D21/743

D569,460 S \* 5/2008 Walker ..... D21/743

D569,462 S \* 5/2008 Rollinson ..... D21/744

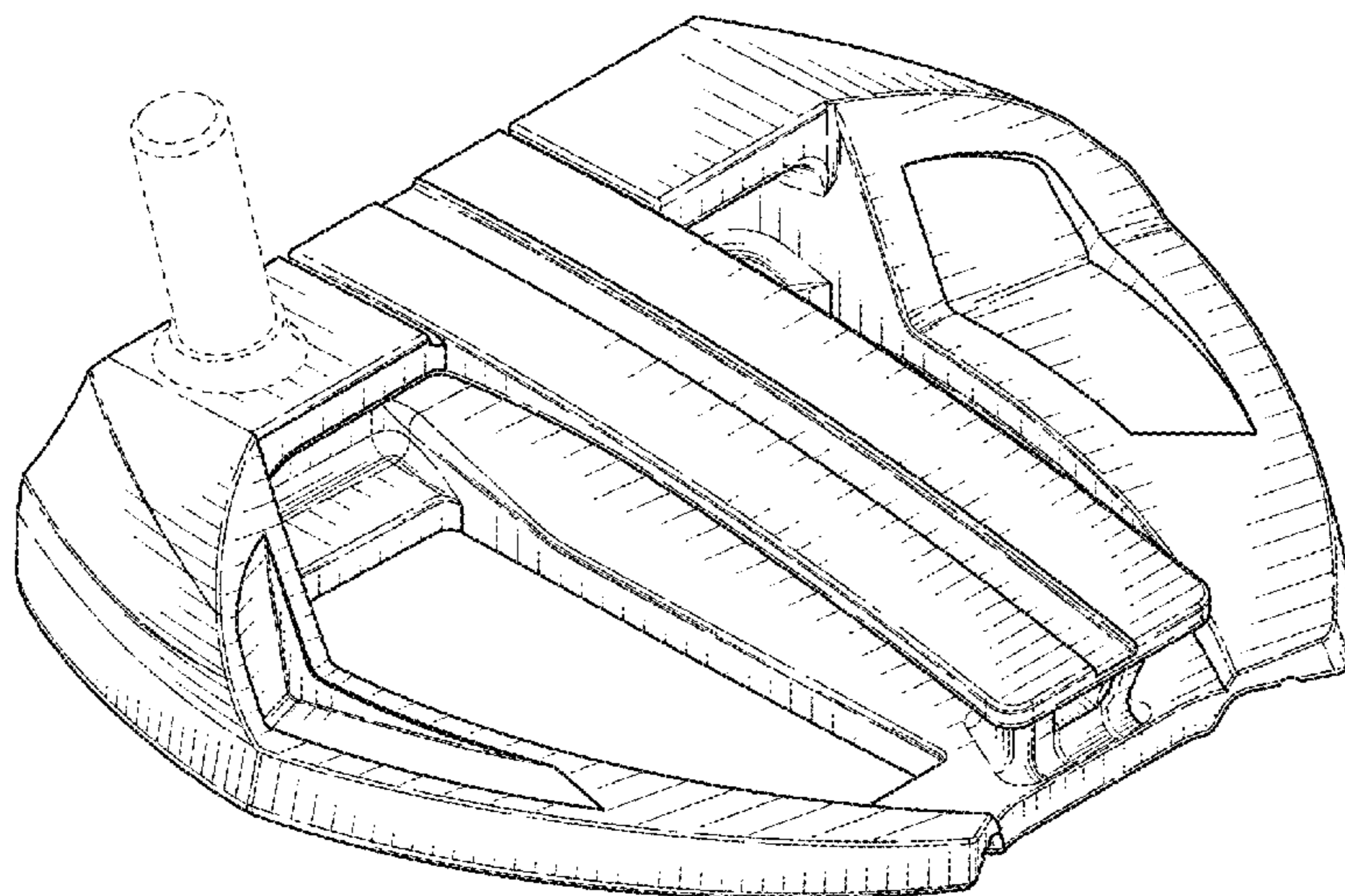
D572,780 S \* 7/2008 Rollinson ..... D21/744

D575,366 S \* 8/2008 Rollinson ..... D21/744

D595,372 S \* 6/2009 Rollinson ..... D21/736

D595,793 S \* 7/2009 Rollinson ..... D21/736

7,601,076 B2 \* 10/2009 Rollinson ..... A63B 53/0487 473/288



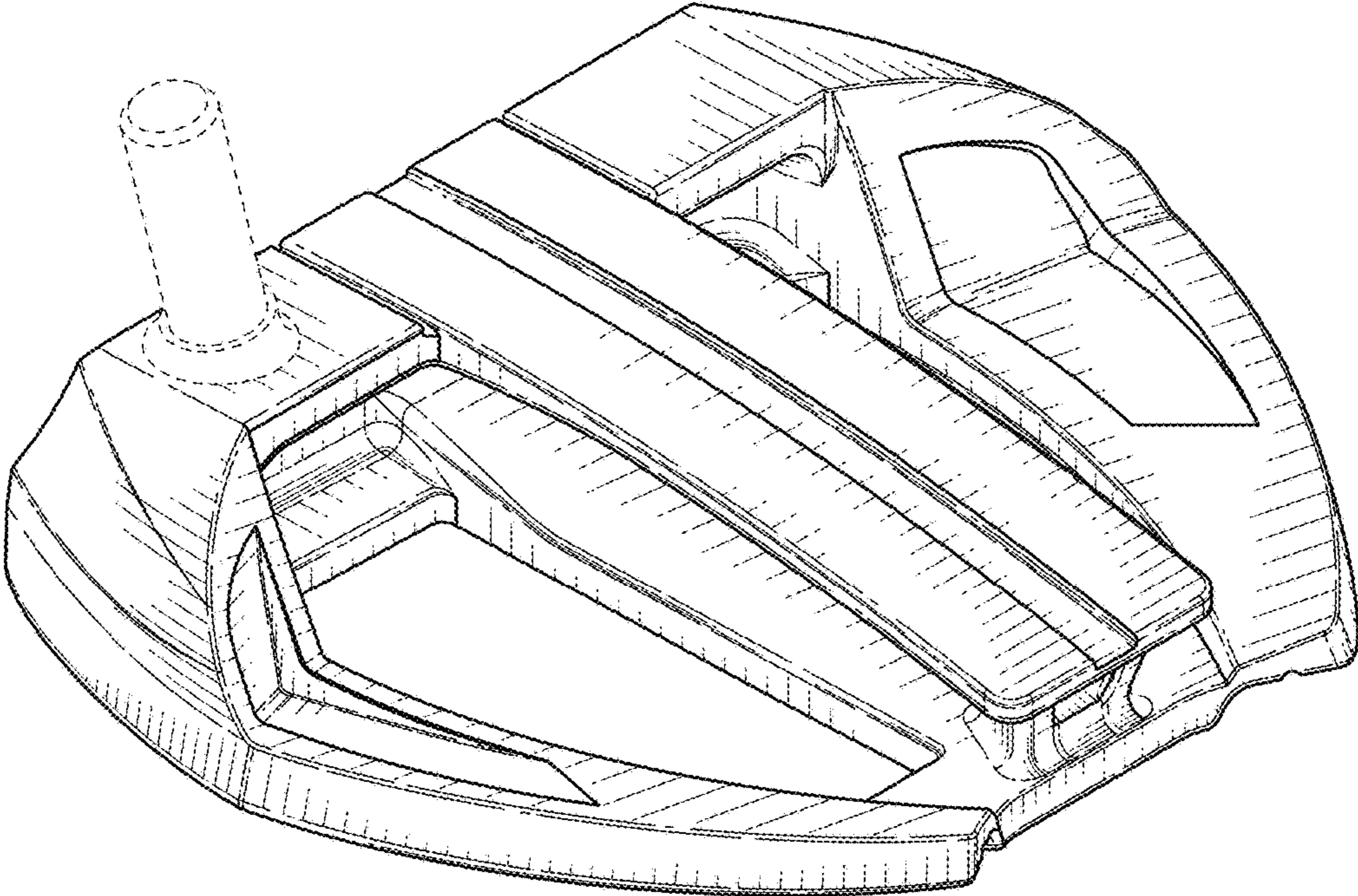


FIG. 1



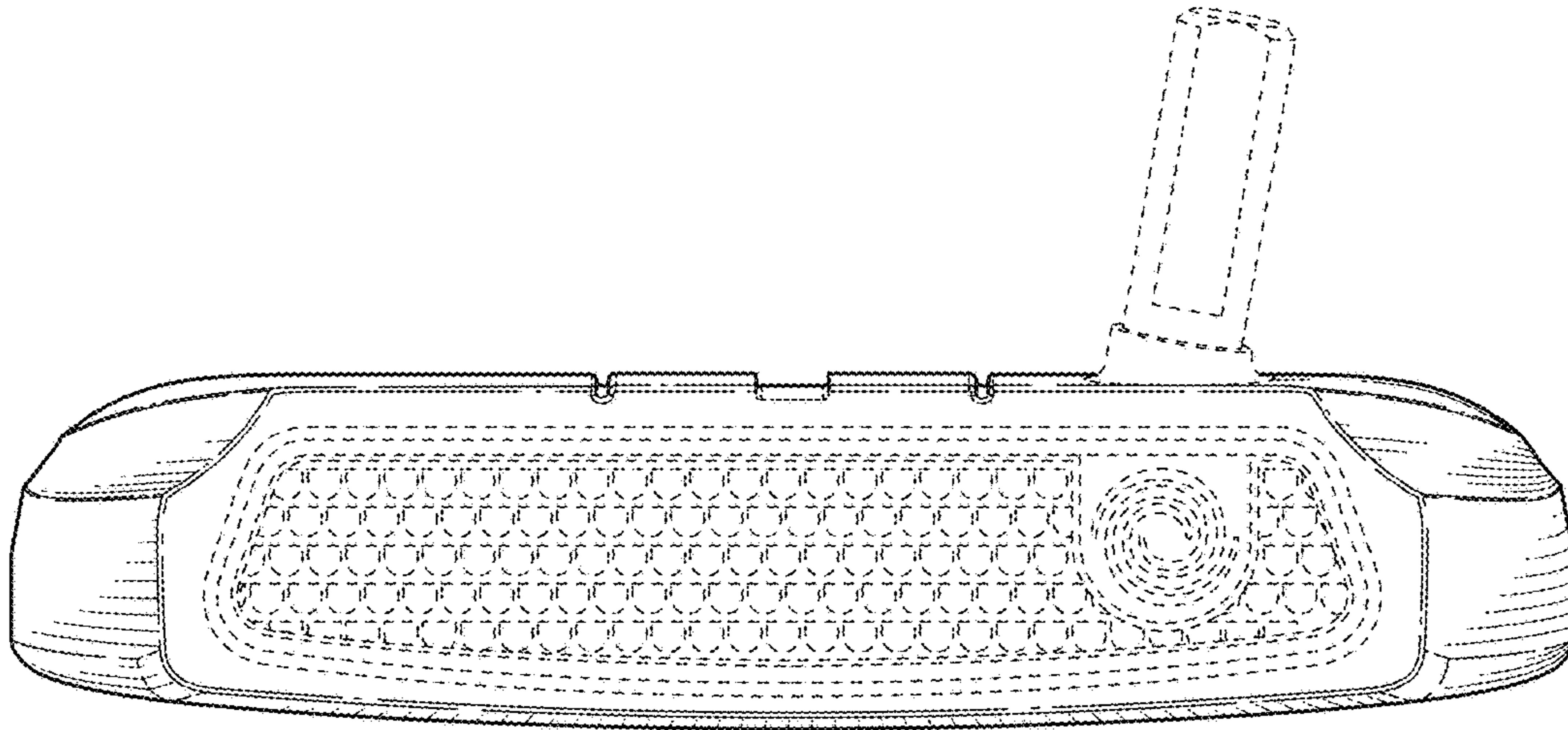


FIG. 2

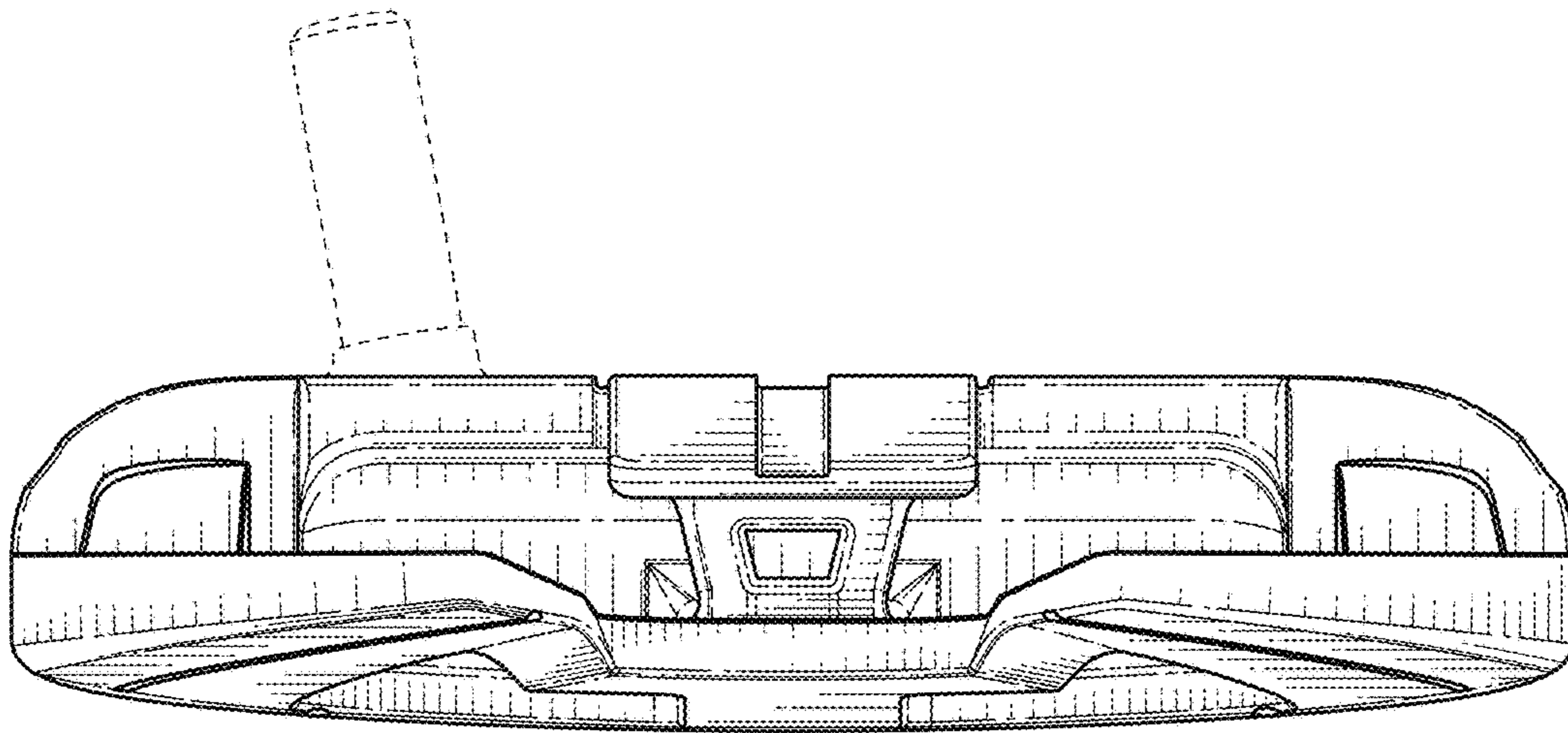


FIG. 3

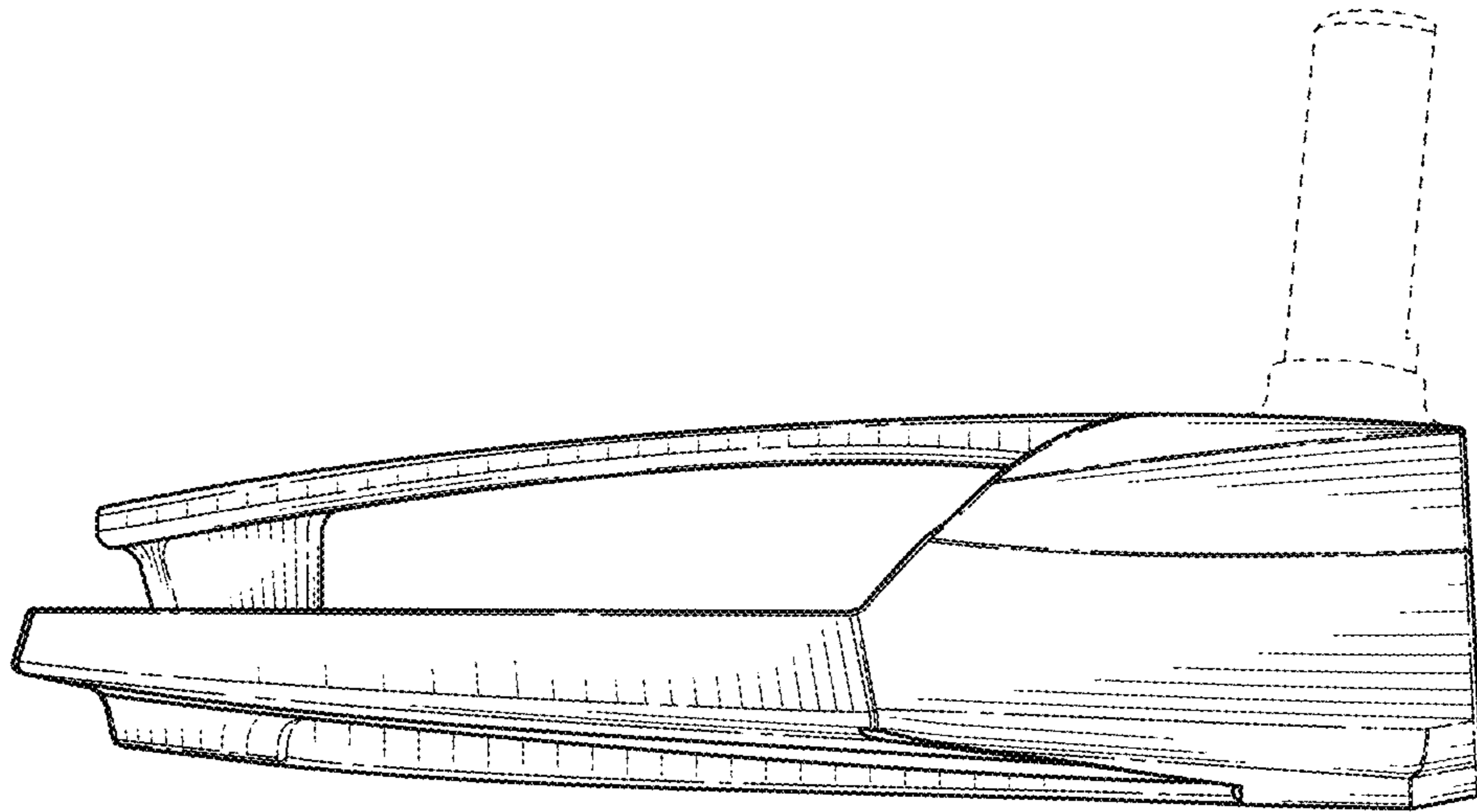


FIG. 4

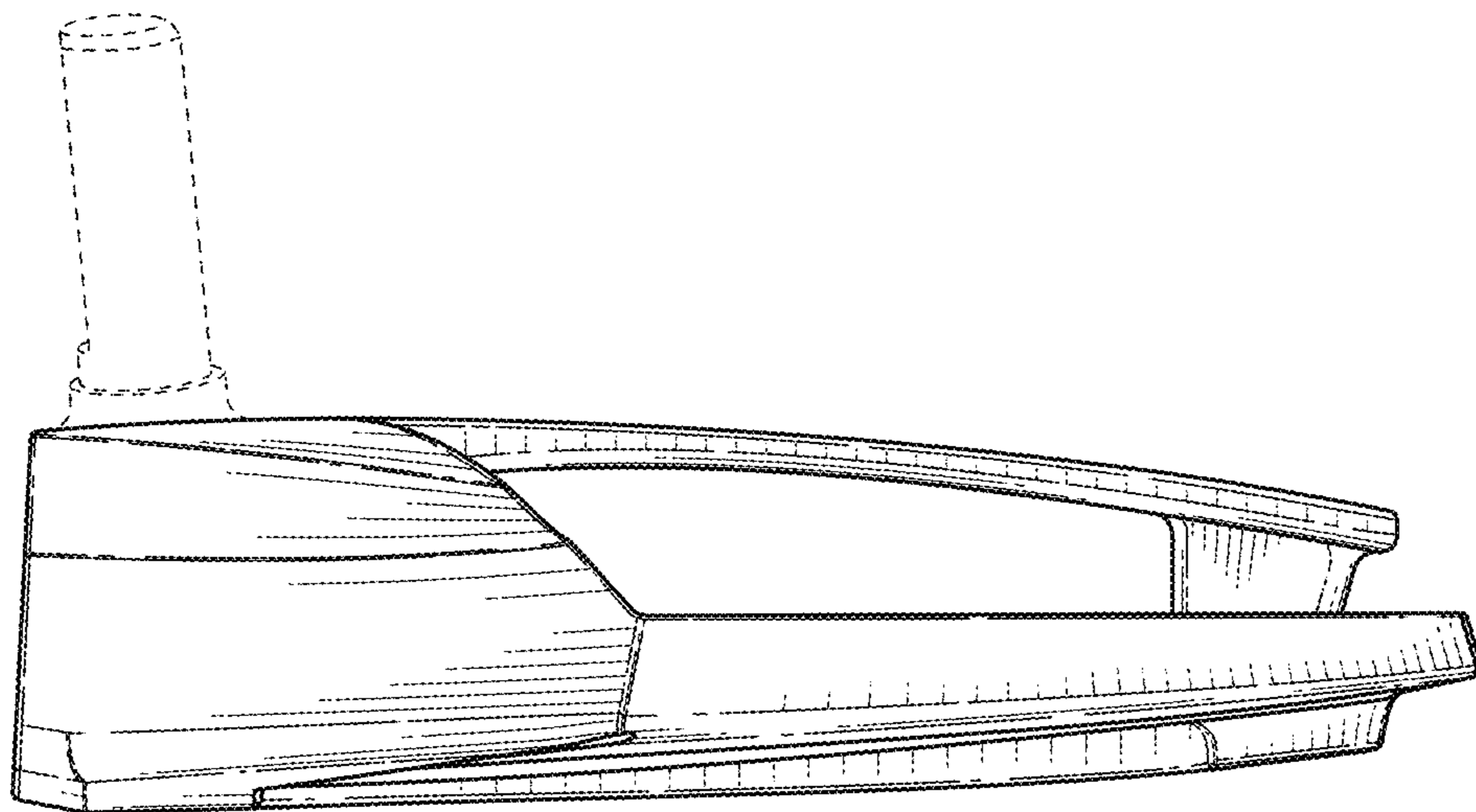


FIG. 5

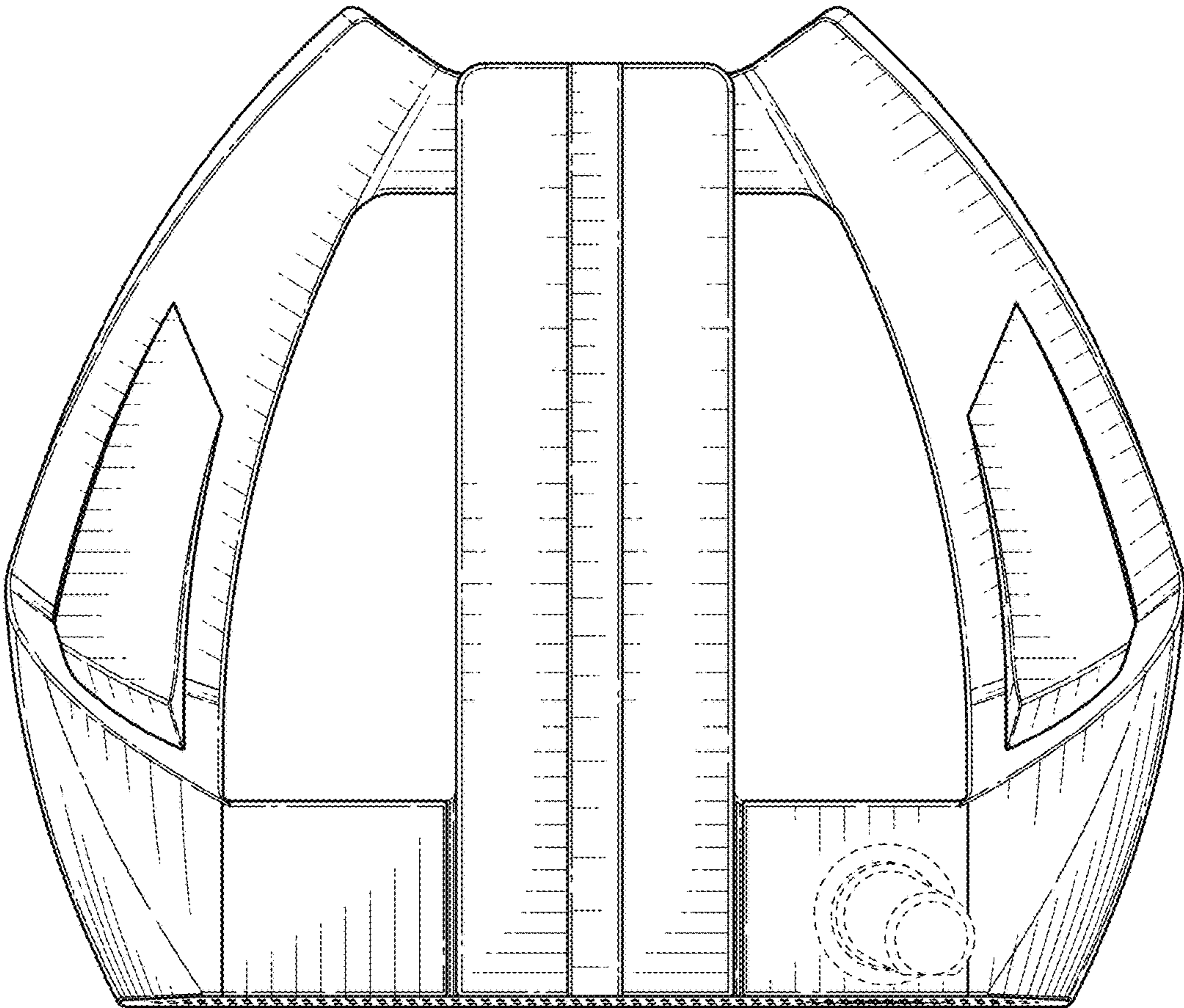


FIG. 6

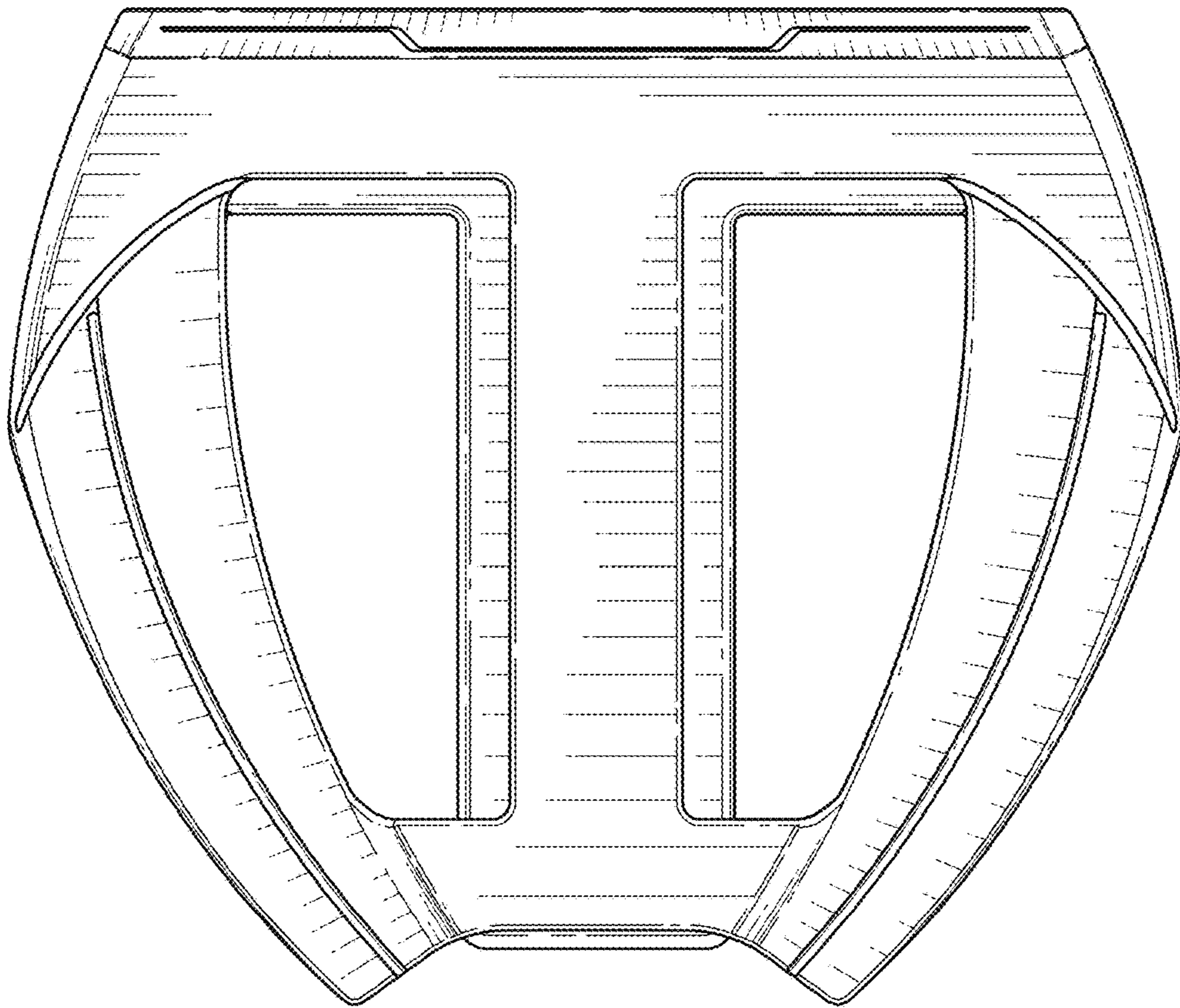


FIG. 7