



US00D827063S

(12) **United States Design Patent**  
Su

(10) **Patent No.:** **US D827,063 S**

(45) **Date of Patent:** **\*\* Aug. 28, 2018**

(54) **TOY BALL STAND**

(71) Applicant: **TAIWAN JOCA CORP.**, Taipei (TW)

(72) Inventor: **Tsang-Sheng Su**, Taipei (TW)

(73) Assignee: **TAIWAN JOCA CORP.**, Taipei (TW)

(\*\*) Term: **15 Years**

(21) Appl. No.: **29/632,035**

(22) Filed: **Jan. 4, 2018**

**Related U.S. Application Data**

(62) Division of application No. 29/574,931, filed on Aug. 19, 2016, now Pat. No. Des. 820,363.

(51) **LOC (11) Cl.** ..... **21-02**

(52) **U.S. Cl.**  
USPC ..... **D21/717; D21/715**

(58) **Field of Classification Search**

USPC ..... D21/302, 303, 305, 701-703, 717, 715,  
D21/718, 789-796; 473/415-504, 387,  
473/396, 398, 400

CPC ..... A63B 63/00; A63B 63/08; A63B 63/083;  
A63B 63/086; A63B 69/0071; A63B  
69/0073; A63B 69/0075; A63B 71/02;  
A63B 71/023; A63B 71/028; A63B  
2071/025; A63B 2071/026; A63B  
2225/09; A63B 2225/093; A63B 2210/50;  
A63B 2243/0037; A63B 69/0002; A63B  
2069/0004; A63B 2069/0008; A63B  
57/15; A63B 71/04  
See application file for complete search history.

(56) **References Cited**

**U.S. PATENT DOCUMENTS**

1,779,995 A \* 10/1930 Trane ..... A63B 57/10  
473/390  
3,858,878 A \* 1/1975 Tassone ..... A63B 69/0075  
473/398

4,793,611 A 12/1988 Thornell  
4,834,376 A \* 5/1989 Steinberg ..... A63B 69/0002  
473/457

D320,637 S 10/1991 Fish, Jr.  
5,066,006 A 11/1991 Driska  
5,082,261 A 1/1992 Pelfrey  
5,100,134 A 3/1992 Becker  
5,672,130 A 9/1997 O'Connell  
5,823,898 A 10/1998 Wang  
D401,987 S \* 12/1998 Amburgey ..... D21/715  
5,967,910 A \* 10/1999 Lin ..... A63B 69/0075  
473/417

D513,294 S \* 12/2005 deGrasse ..... D21/717  
D638,079 S \* 5/2011 Cheng ..... D21/717  
8,221,270 B1 7/2012 Kraska  
9,814,958 B1 \* 11/2017 Orenstein ..... A63B 69/0075

(Continued)

*Primary Examiner* — Catherine A Tuttle

(74) *Attorney, Agent, or Firm* — Kirton McConkie; Evan R. Witt

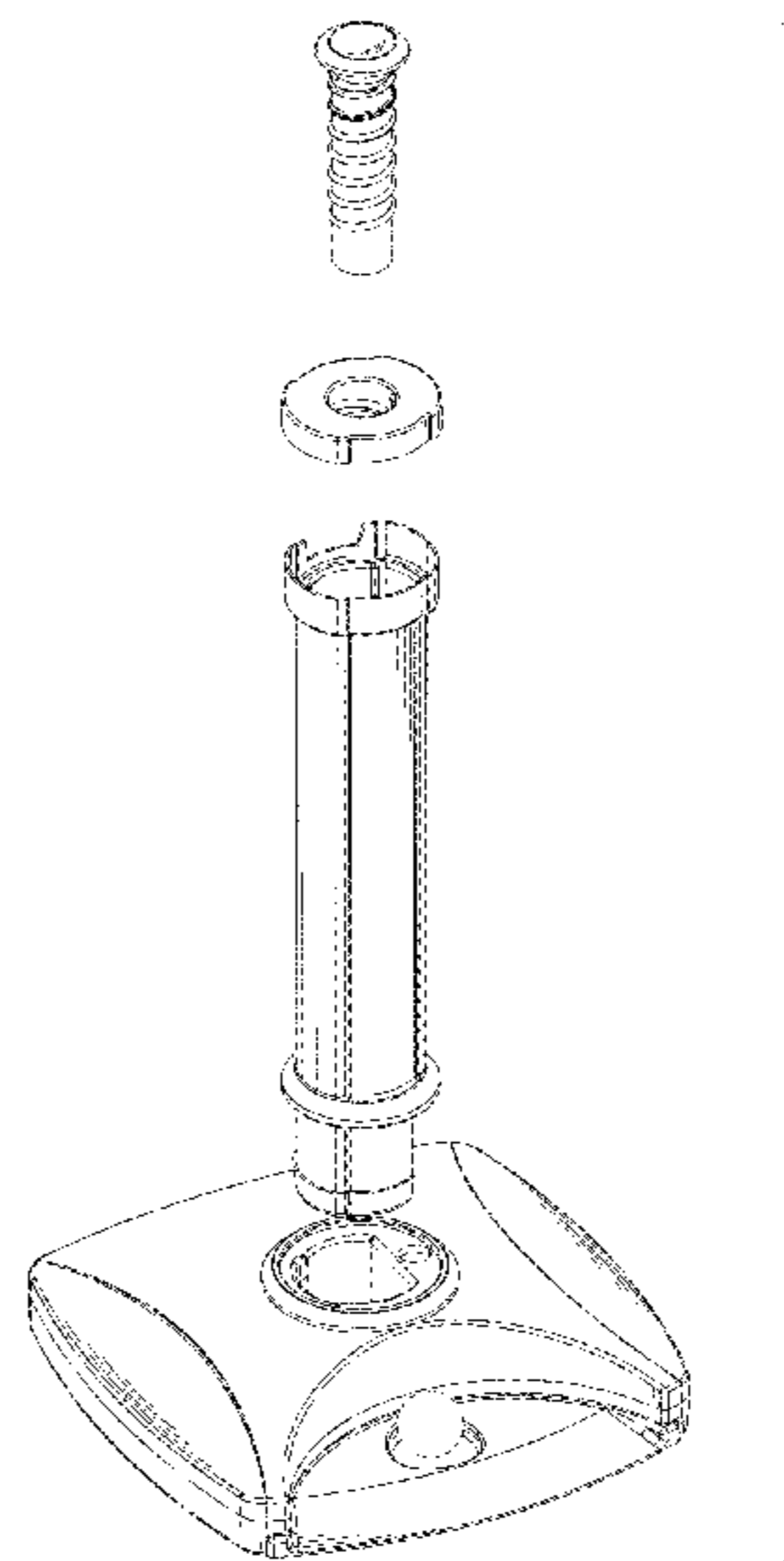
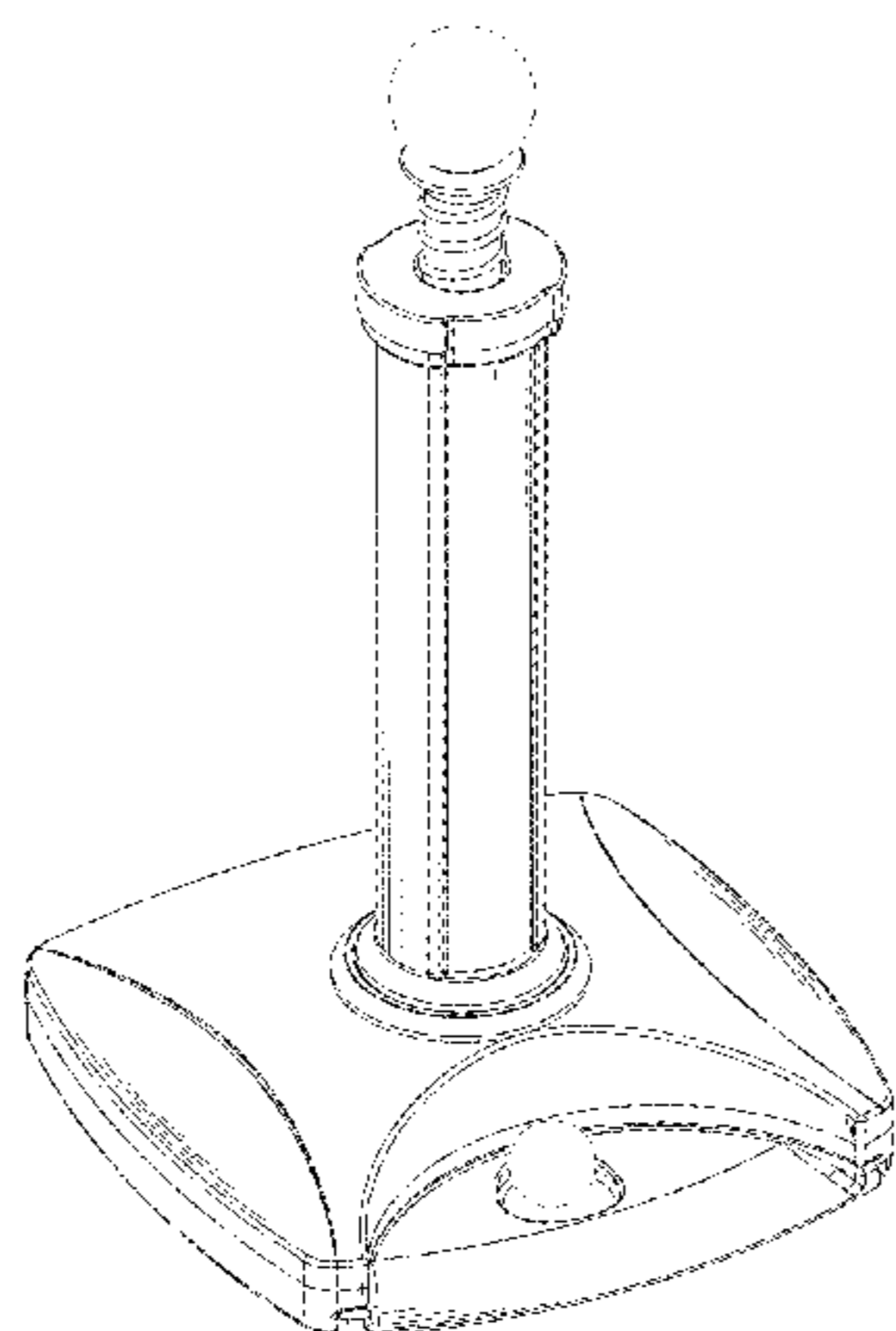
(57) **CLAIM**

The ornamental design for a toy ball stand, as shown and described.

**DESCRIPTION**

FIG. 1 is a perspective view of a toy ball stand, showing my new design;  
FIG. 2 is a front elevational view thereof;  
FIG. 3 is a rear elevational view thereof;  
FIG. 4 is a left side elevational view thereof;  
FIG. 5 is a right side elevational view thereof;  
FIG. 6 is a top plan view thereof;  
FIG. 7 is a bottom plan view thereof; and,  
FIG. 8 is an exploded perspective view thereof.  
The broken lines are included for the purpose of illustrating portions of the toy ball stand that form no part of the claimed design.

**1 Claim, 7 Drawing Sheets**



(56)

**References Cited**

U.S. PATENT DOCUMENTS

2003/0032506	A1*	2/2003	Chi .....	A63B 69/0002 473/417
2007/0045964	A1	3/2007	Petras	
2007/0275793	A1*	11/2007	Liao .....	A63B 69/0002 473/417
2009/0137345	A1*	5/2009	Sagadevan .....	A63B 57/10 473/396
2010/0285904	A1*	11/2010	Gamboa .....	A63B 69/0002 473/417
2011/0183782	A1*	7/2011	Wang .....	A63B 69/0075 473/417
2011/0312448	A1	12/2011	Mcilvain	
2015/0367219	A1	12/2015	Bibbens	
2016/0271473	A1	9/2016	Fitzpatrick	
2016/0303450	A1	10/2016	Holland	
2016/0332055	A1	11/2016	Su	

\* cited by examiner

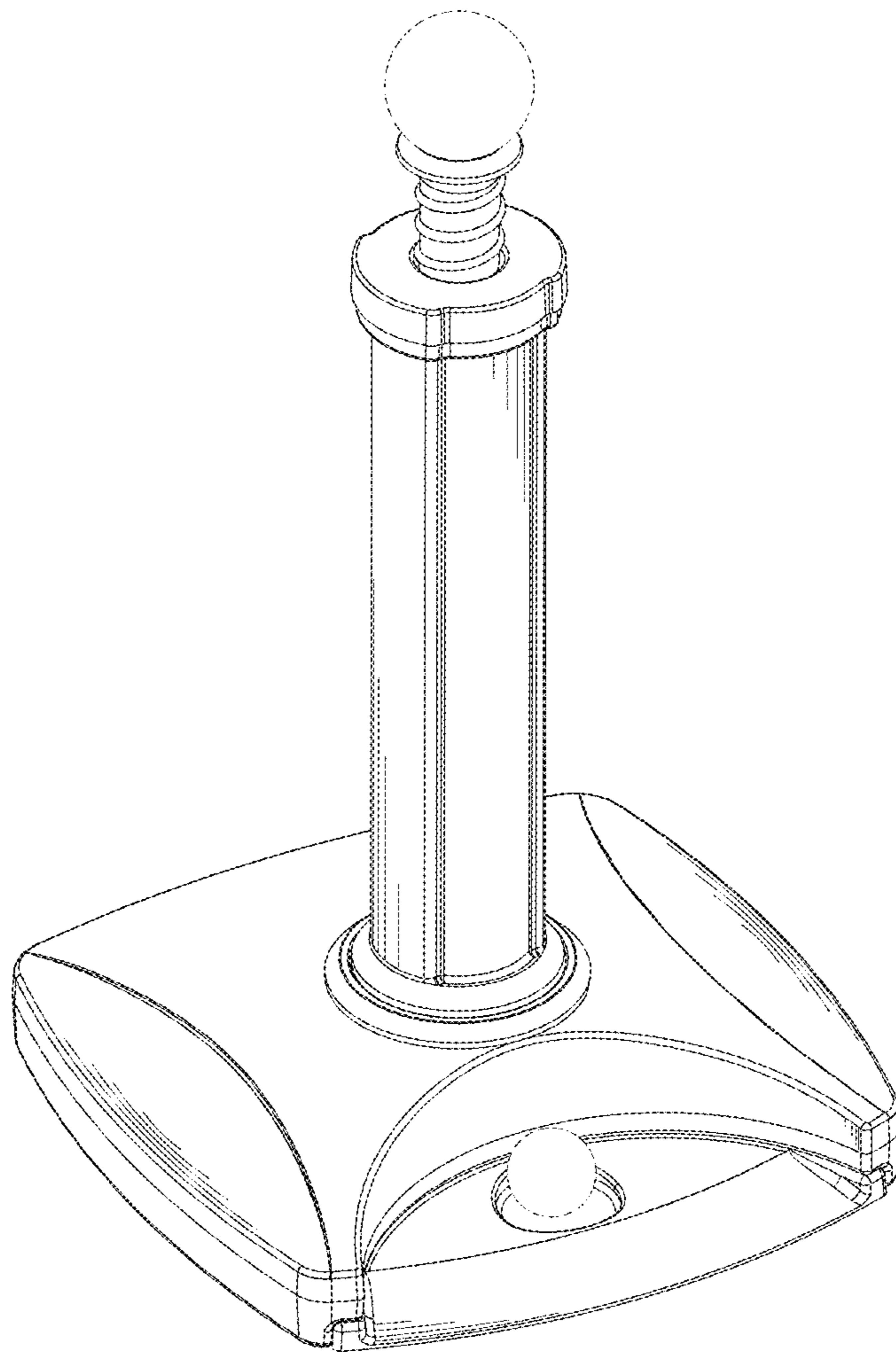


FIG. 1

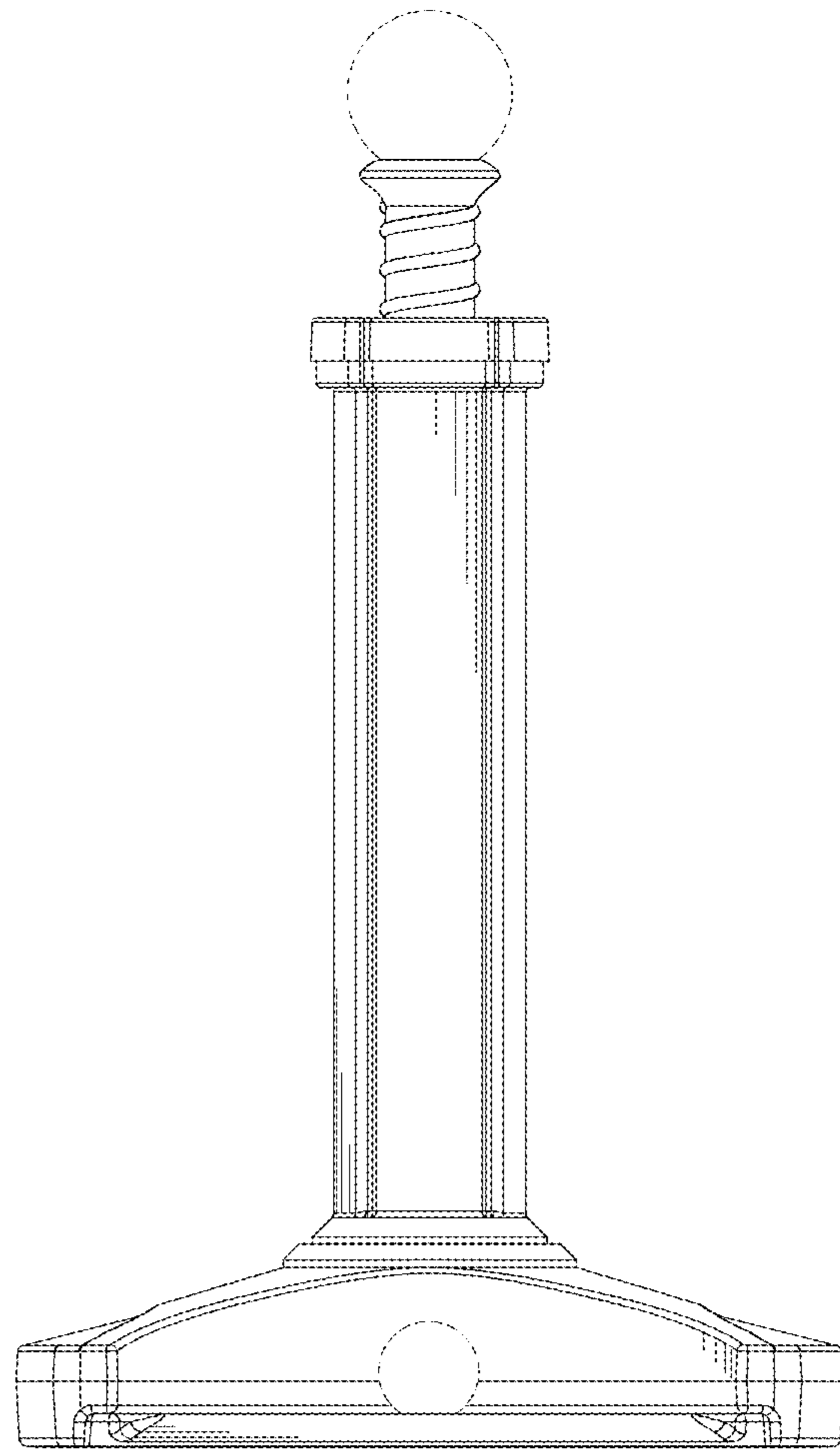


FIG. 2

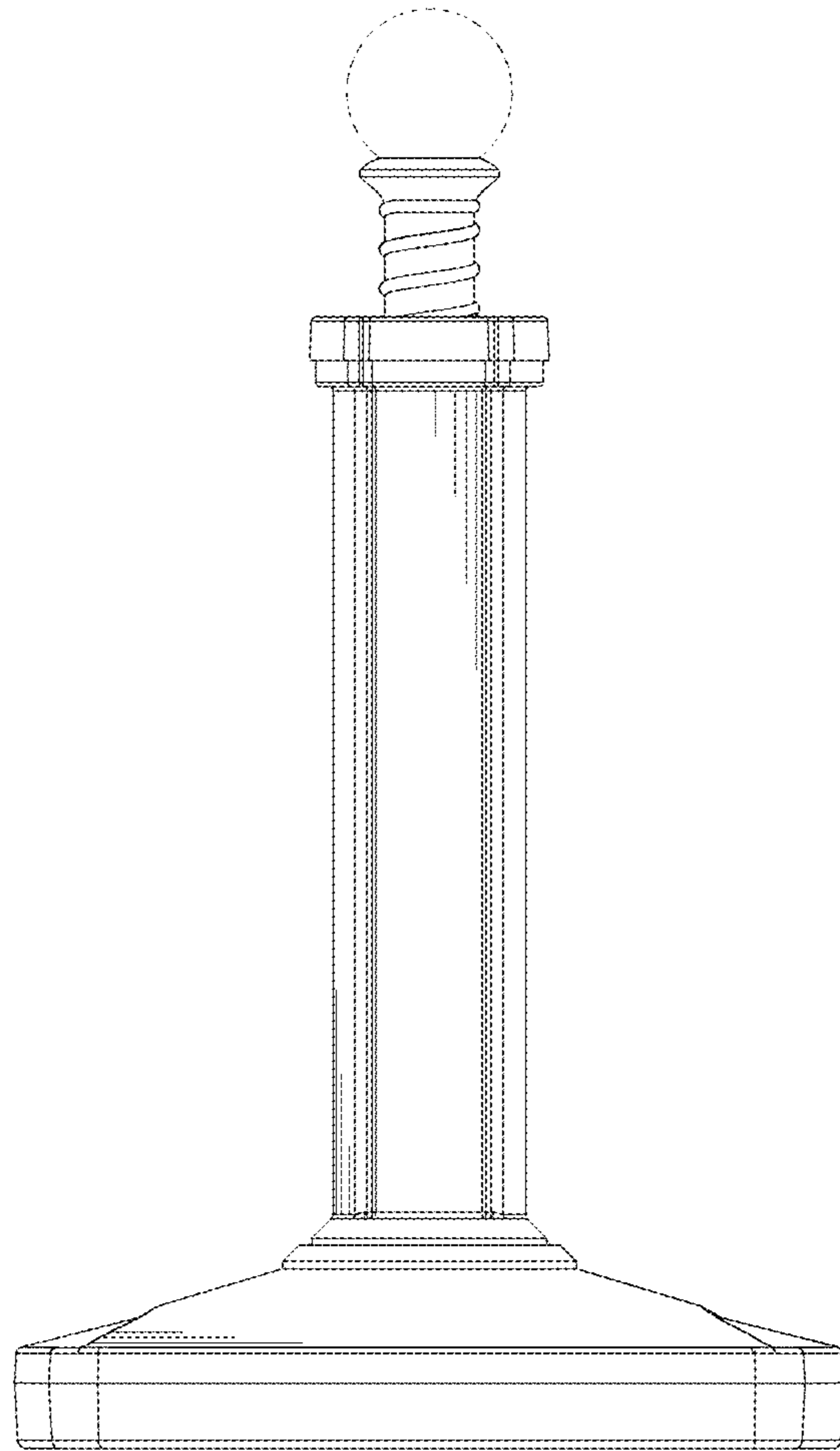


FIG. 3

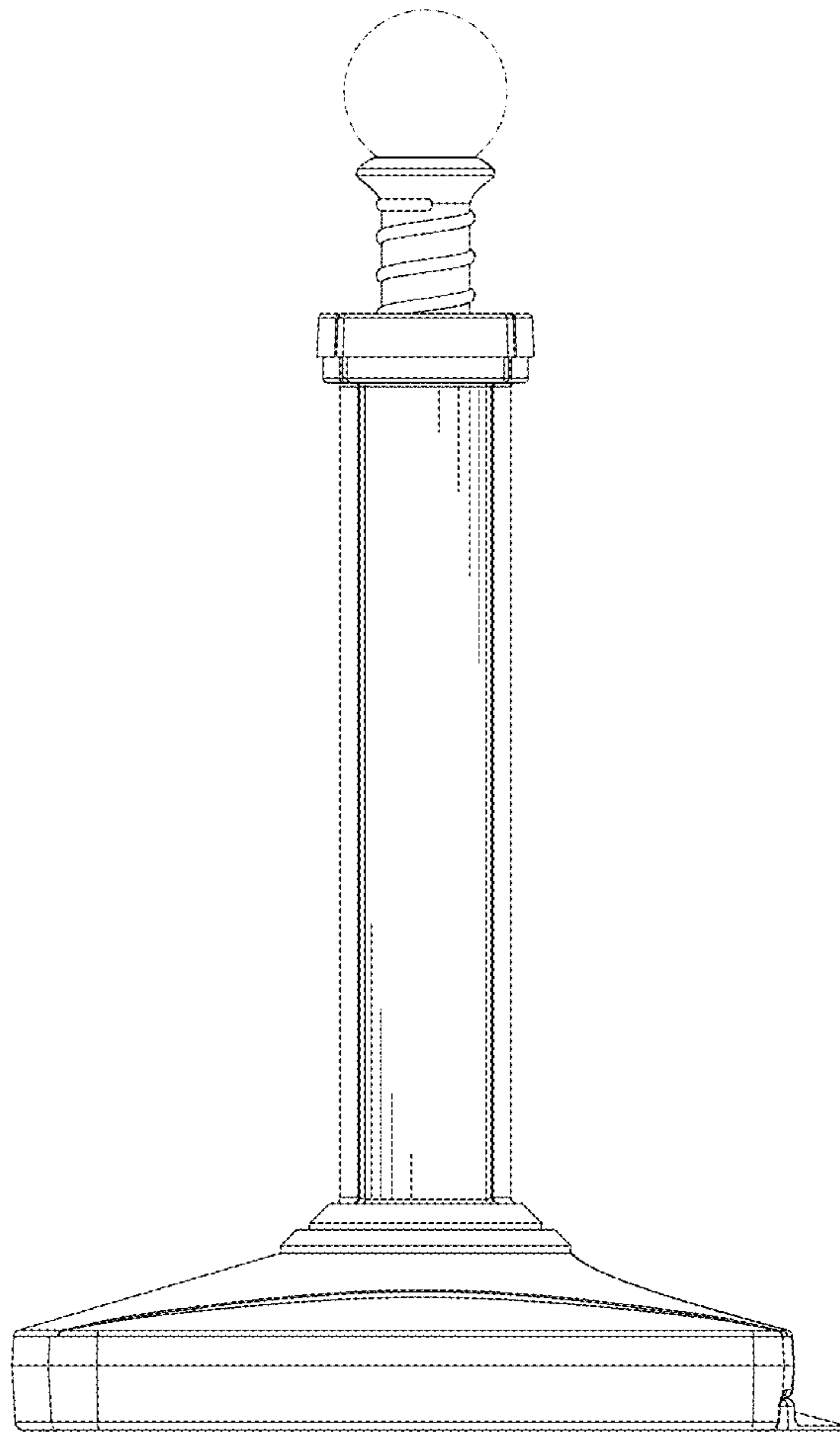


FIG. 4

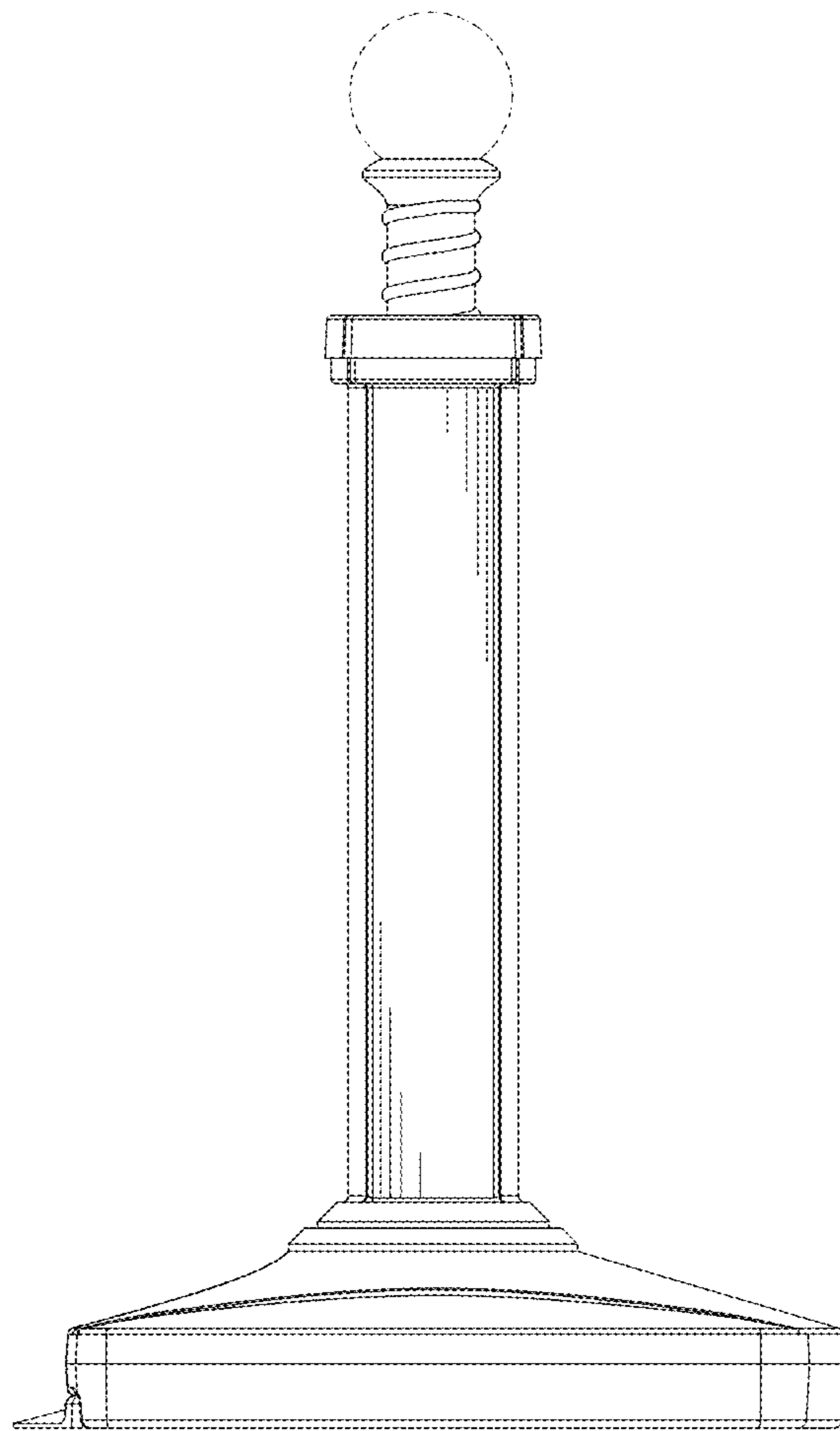


FIG. 5

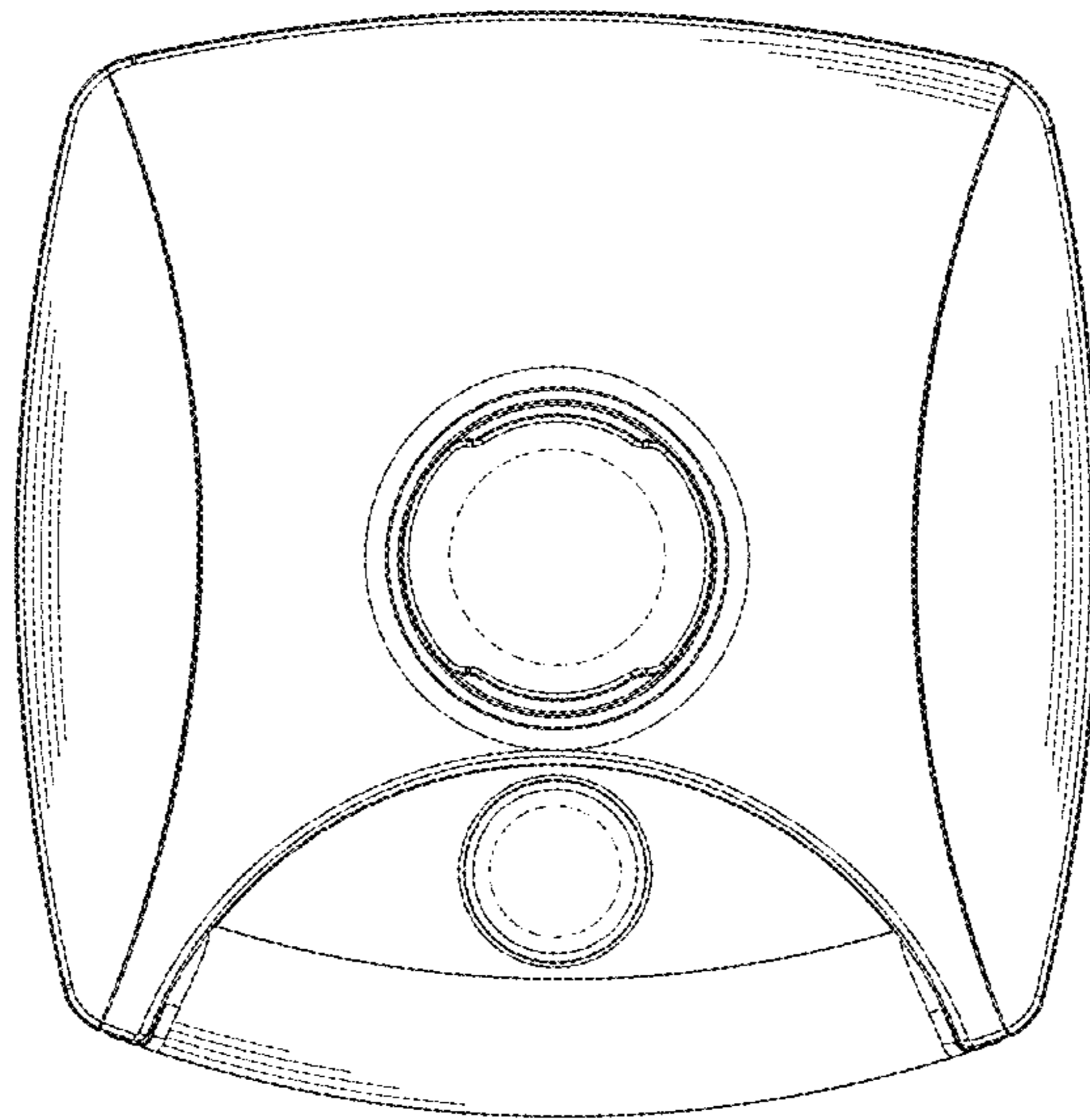


FIG. 6



FIG. 7



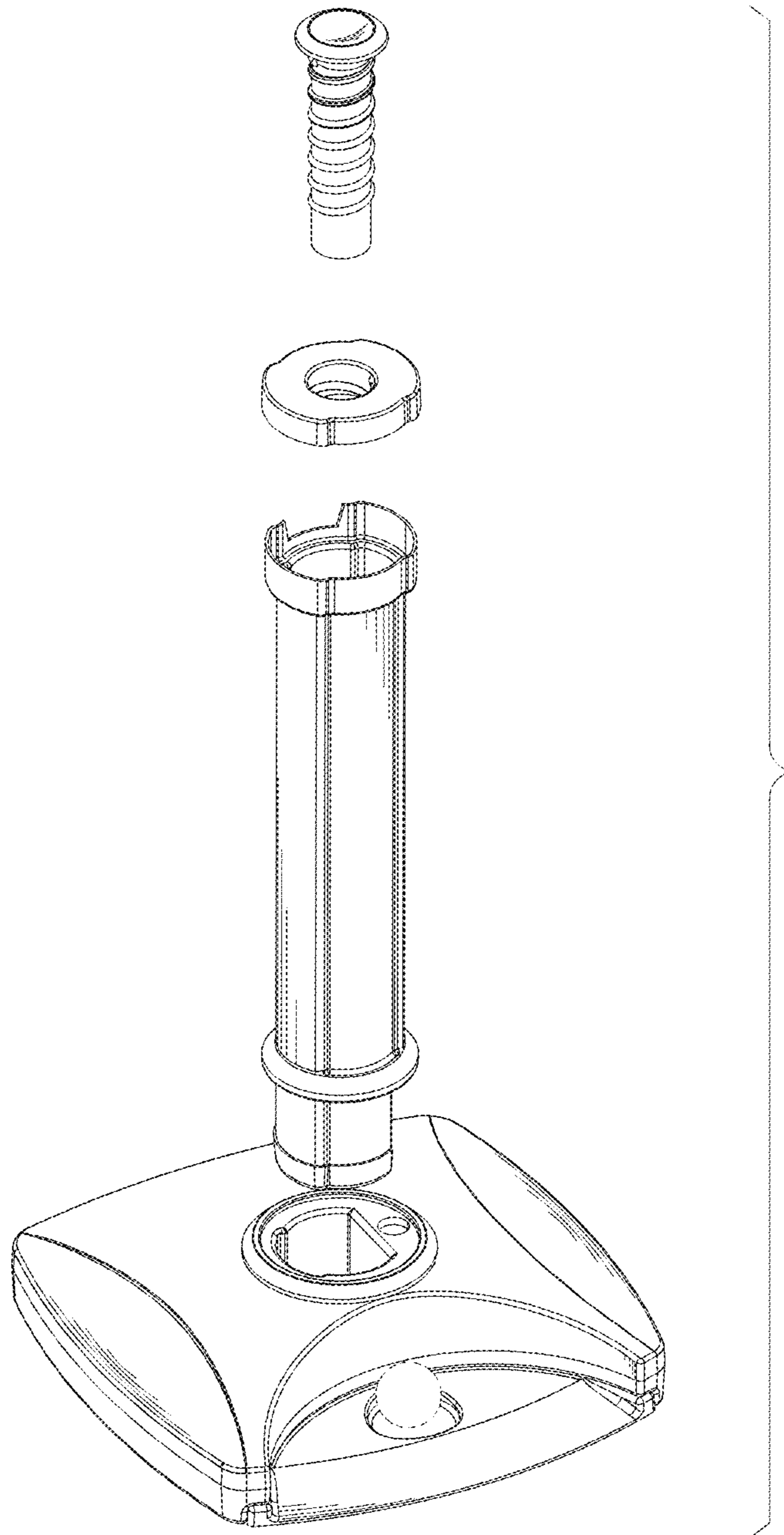


FIG. 8