



US00D827059S

(12) **United States Design Patent**  
**Ross**

(10) **Patent No.:** **US D827,059 S**

(45) **Date of Patent:** **\*\* Aug. 28, 2018**

- (54) **JUMP ROPE**
- (71) Applicant: **Exemplar Design, LLC**, Mason, OH (US)
- (72) Inventor: **Adam L. Ross**, Mason, OH (US)
- (73) Assignee: **EXEMPLAR DESIGN, LLC**, Mason, OH (US)
- (\*\*) Term: **15 Years**
- (21) Appl. No.: **29/581,646**
- (22) Filed: **Oct. 20, 2016**
- (51) **LOC (11) Cl.** ..... **21-02**
- (52) **U.S. Cl.**  
USPC ..... **D21/672**
- (58) **Field of Classification Search**  
USPC ..... 482/107, 121, 148, 44-46, 49, 81, 82;  
D21/662, 672, 682, 684, 694, 798;  
D24/212, 214, 215; D8/107, 303, 307;  
446/490; 16/442; 606/74, 200; 87/8, 9  
CPC ..... A63B 5/20; A63B 5/22; A61H 15/0092;  
A63H 13/14; D04C 1/06; D04C 1/12;  
H01B 5/12; H01B 13/2606; H01B 7/425;  
H01B 11/1813  
See application file for complete search history.

- 4,036,101 A \* 7/1977 Burnett ..... D04C 1/12  
294/74
- 4,195,549 A \* 4/1980 Schuster ..... D04C 1/12  
57/234
- 4,321,854 A \* 3/1982 Foote ..... A01K 91/00  
43/44.98
- D268,436 S \* 3/1983 Clark ..... D21/680  
(Continued)

**OTHER PUBLICATIONS**

Metalcloth. "Braided Wire", 1964 <http://www.metalcloth.com/>.  
Shown on p. 1. (Year: 1964).\*  
(Continued)

*Primary Examiner* — Cynthia Ramirez  
*Assistant Examiner* — Michael A Maharajh  
(74) *Attorney, Agent, or Firm* — Baker & Hostetler LLP

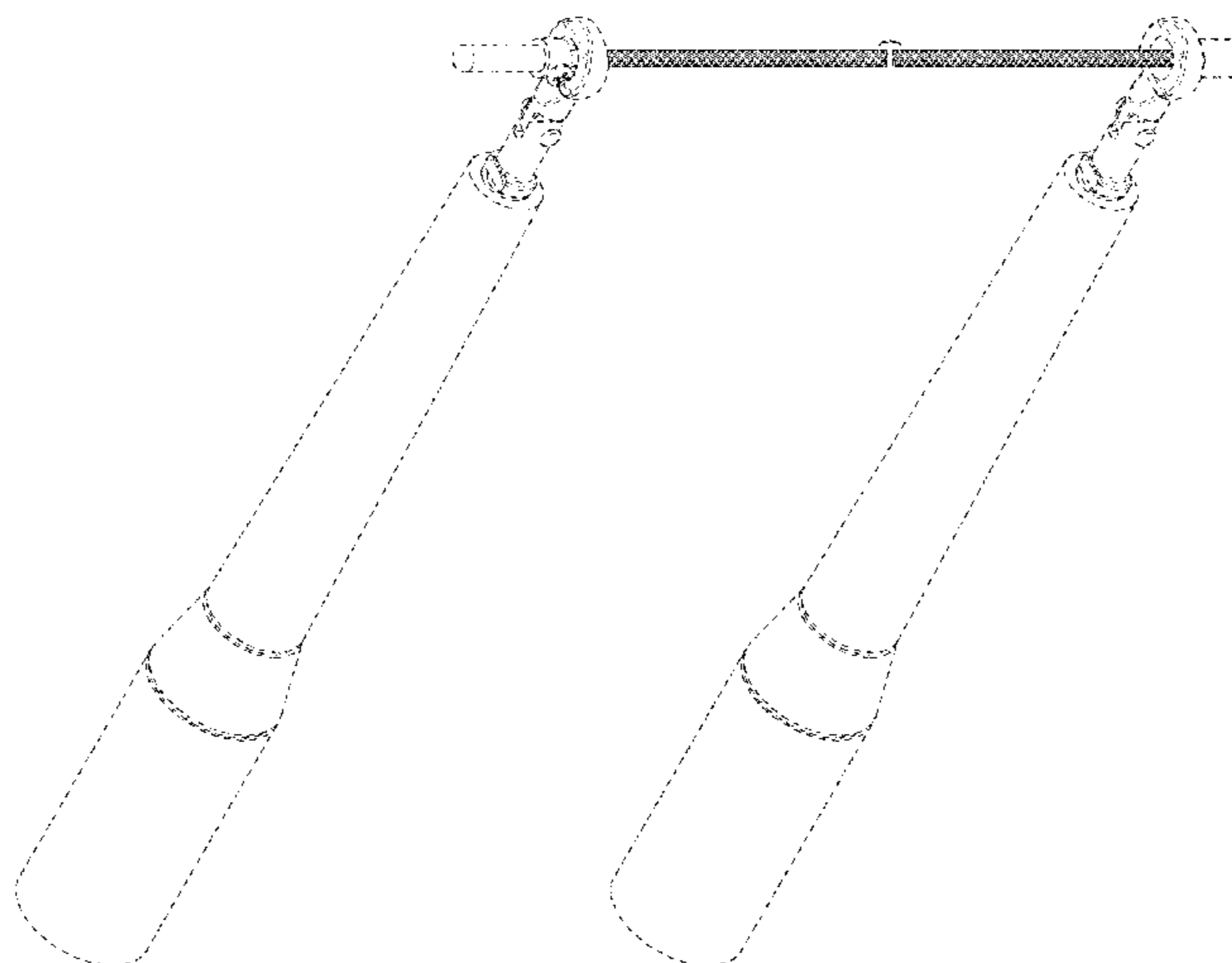
(57) **CLAIM**

The ornamental design for a jump rope, as shown and described.

**DESCRIPTION**

FIG. 1 is a top perspective view of the jump rope showing my new design;  
FIG. 2 is a front view thereof;  
FIG. 3 is a back view thereof;  
FIG. 4 is a left side elevation view thereof;  
FIG. 5 is a right side elevation view thereof;  
FIG. 6 is a top plan view thereof;  
FIG. 7 is a bottom plan view thereof; and,  
FIG. 8 is an enlarged view taken from FIG. 3.  
The broken lines in the drawings are for the purpose of illustrating portions of the jump rope which form no part of the claimed design.  
The jump rope is shown with a symbolic break in its length. The appearance of any portion of the article between the break lines forms no part of the claimed design.

**1 Claim, 5 Drawing Sheets**



(56)

References Cited

U.S. PATENT DOCUMENTS

D287,868 S \* 1/1987 Whaley ..... D21/672  
 D368,501 S \* 4/1996 Woodruff ..... D21/672  
 D407,450 S \* 3/1999 Janet ..... D21/672  
 6,440,043 B1 \* 8/2002 LaCoste ..... A63B 5/20  
 482/82  
 7,470,224 B1 \* 12/2008 Everett ..... A63B 21/04  
 482/121  
 7,833,141 B2 \* 11/2010 Kulka ..... A63B 21/153  
 482/121  
 7,850,582 B2 \* 12/2010 Smith ..... A63B 21/00043  
 482/121  
 D740,760 S \* 10/2015 Gliksman ..... D13/153  
 D777,680 S \* 1/2017 Chia ..... D13/153  
 2005/0192581 A1 \* 9/2005 Molz ..... A61B 17/842  
 606/74  
 2006/0189456 A1 \* 8/2006 Ford ..... A63B 21/06  
 482/93  
 2006/0207414 A1 \* 9/2006 Nye ..... D04C 1/12  
 87/7  
 2008/0163882 A1 \* 7/2008 Owens ..... A41G 5/0046  
 132/201  
 2010/0216608 A1 \* 8/2010 Veitch ..... A63B 5/20  
 482/82  
 2013/0125739 A1 \* 5/2013 Kinugasa ..... D04C 1/06  
 87/9  
 2013/0263724 A1 \* 10/2013 Kirth ..... D04C 1/12  
 87/9

2014/0058436 A1 \* 2/2014 Rosenbluth ..... A61F 2/07  
 606/200  
 2014/0090549 A1 \* 4/2014 Hurlen ..... D07B 1/02  
 87/9  
 2014/0157973 A1 \* 6/2014 Plante ..... D04C 1/12  
 87/8  
 2014/0196316 A1 \* 7/2014 Follet ..... A43B 23/0245  
 36/84  
 2014/0196596 A1 \* 7/2014 Padilla ..... D04C 1/12  
 87/6  
 2015/0173753 A1 \* 6/2015 Spivey ..... A61B 17/06166  
 606/228  
 2016/0155533 A1 \* 6/2016 Omoto ..... H01B 7/009  
 174/128.1  
 2016/0258089 A1 \* 9/2016 Erlendsson ..... D04C 1/12  
 2016/0345676 A1 \* 12/2016 Bruce ..... A43B 23/0245  
 2017/0058454 A1 \* 3/2017 Safwat ..... D07B 1/16  
 2017/0190137 A1 \* 7/2017 Marcoe ..... B32B 1/08

OTHER PUBLICATIONS

Reallygoodstuff, "Braided Jump Rope", 2017. [https://www.reallygoodstuff.com/braided-jump-rope-16-ft/p/902748/Blue/?gclid=CjwKCAiApJnRBRBIEiwAPTgmxKUP8-soqmEu0mYpLiLzLBcFdVyjlfxjOr1GvZGJjRPN3c7uy0\\_LRoClilQAvD\\_BwE](https://www.reallygoodstuff.com/braided-jump-rope-16-ft/p/902748/Blue/?gclid=CjwKCAiApJnRBRBIEiwAPTgmxKUP8-soqmEu0mYpLiLzLBcFdVyjlfxjOr1GvZGJjRPN3c7uy0_LRoClilQAvD_BwE).  
 Shown on p. 1. (Year: 2017).\*

\* cited by examiner

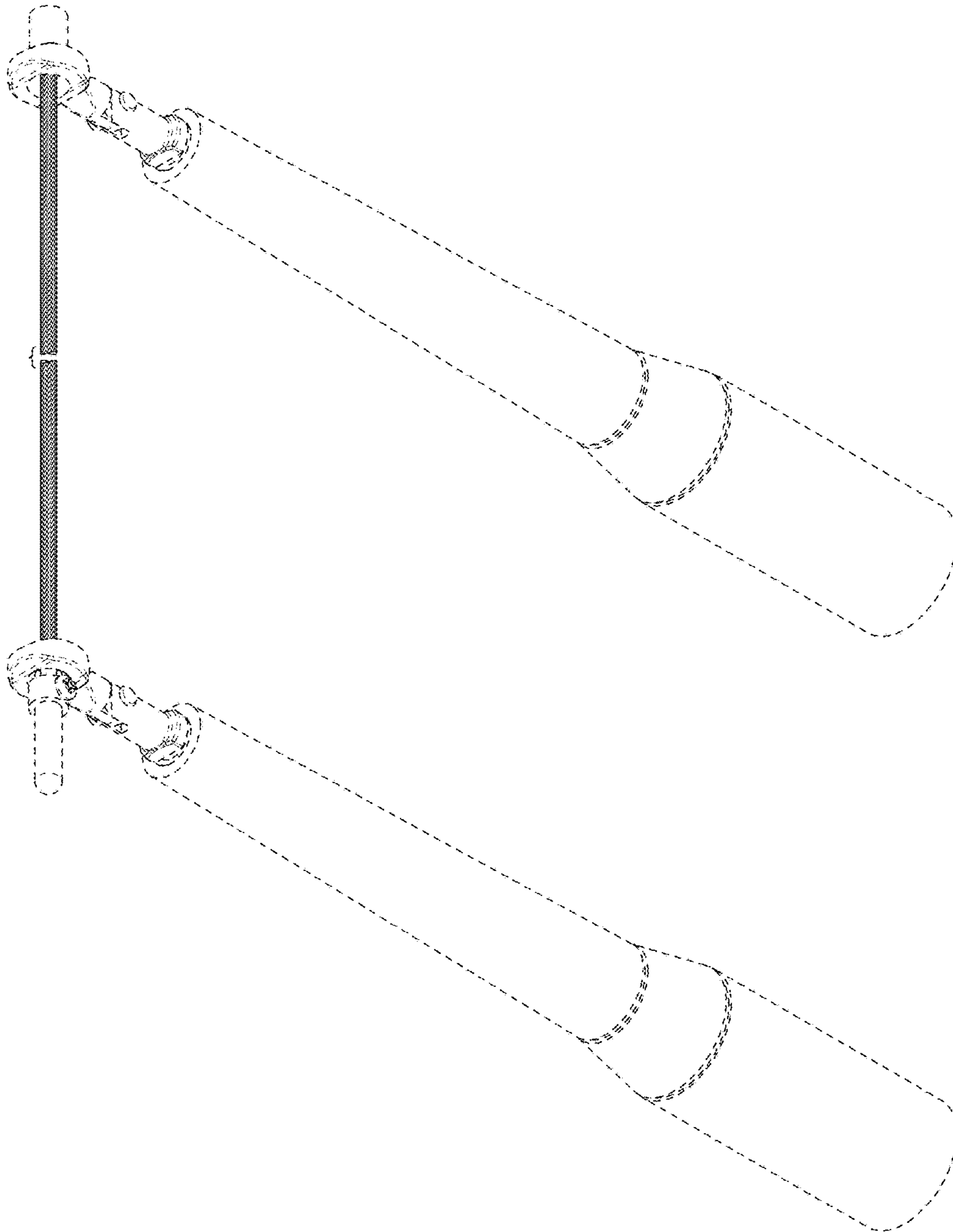


FIG. 1

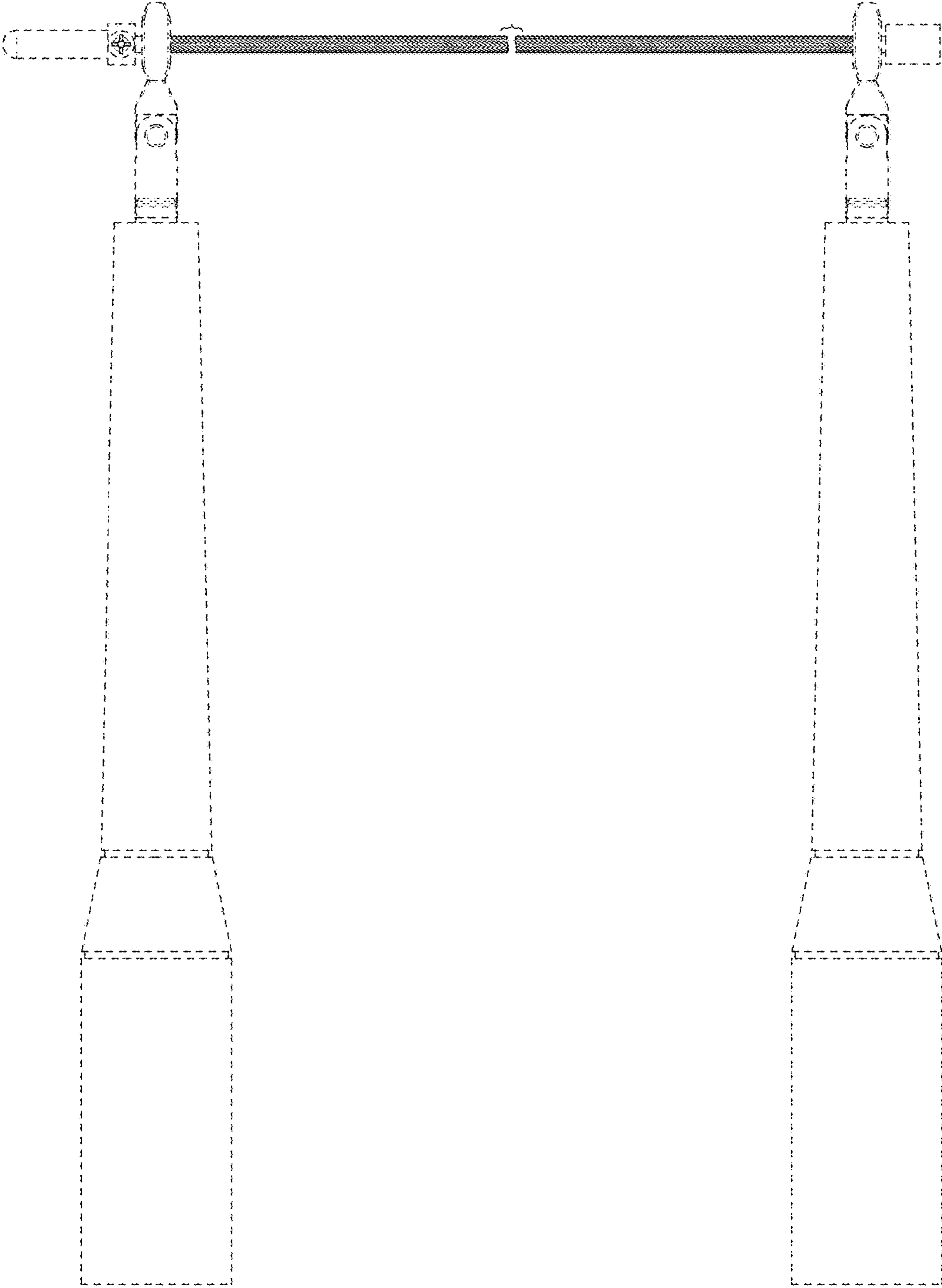


FIG. 2

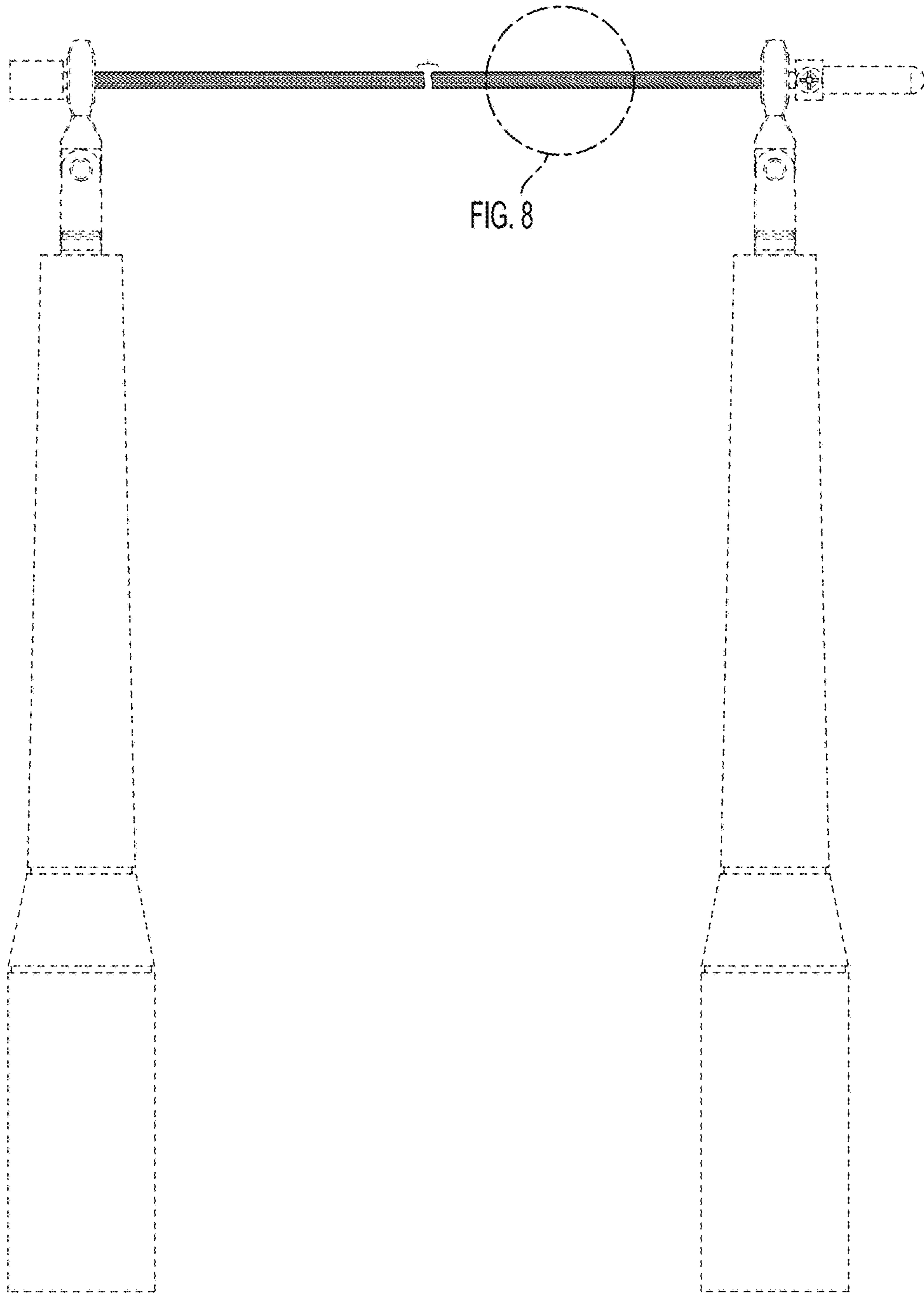


FIG. 3

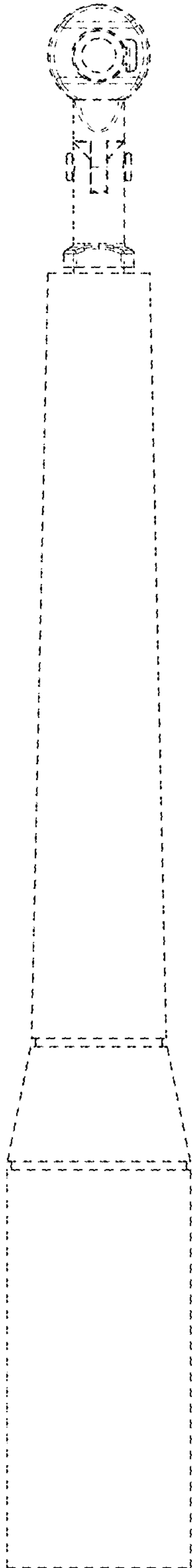


FIG. 4

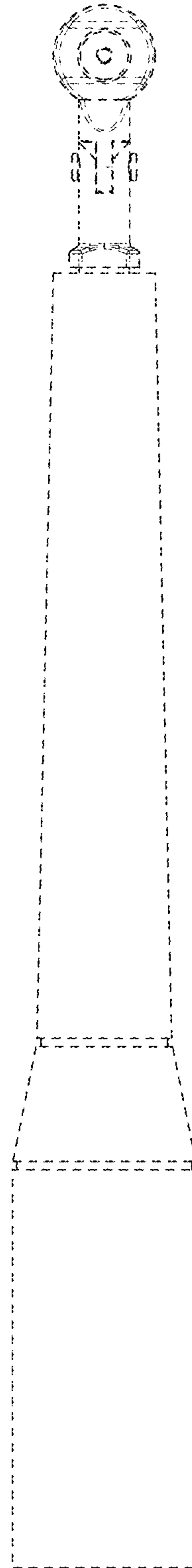


FIG. 5



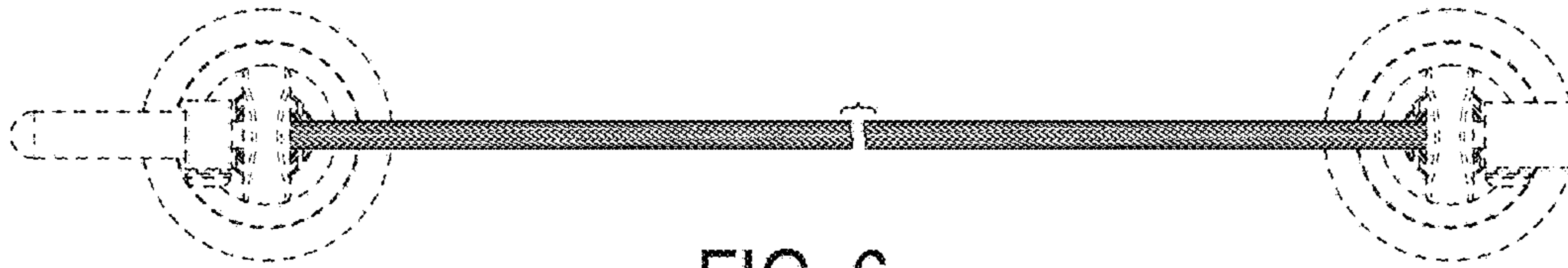


FIG. 6

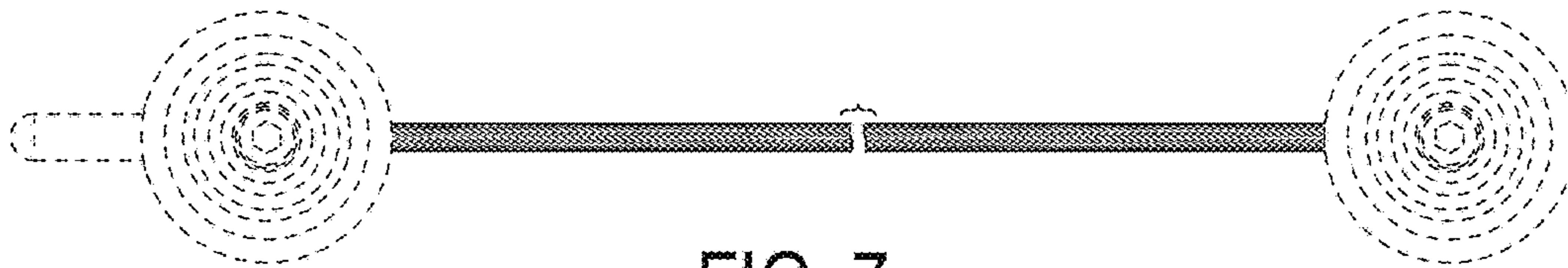


FIG. 7

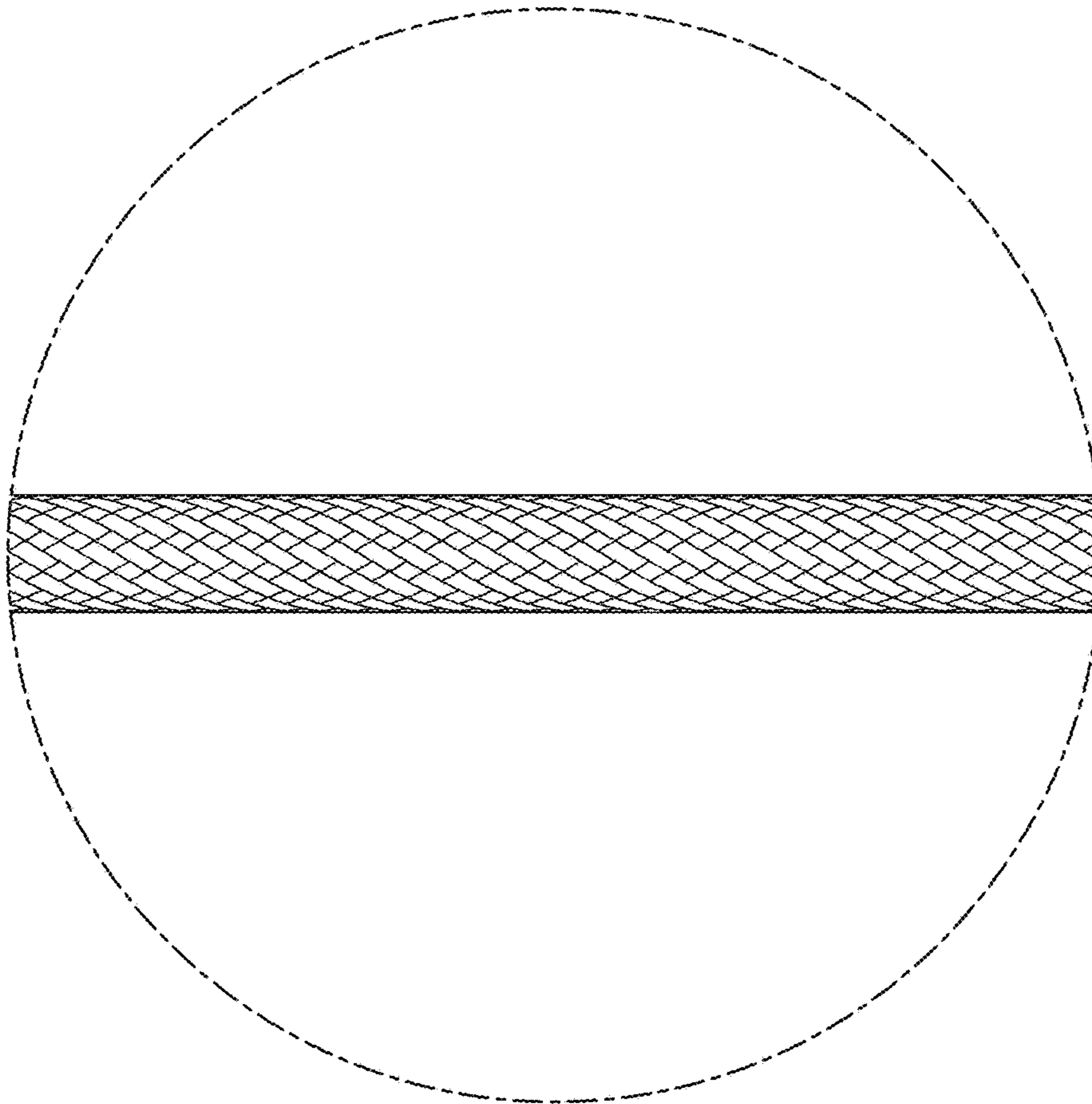


FIG. 8