



US00D827058S

(12) **United States Design Patent**  
**Lisi et al.**

(10) **Patent No.:** **US D827,058 S**

(45) **Date of Patent:** **\*\* Aug. 28, 2018**

(54) **EXERCISE EQUIPMENT**

(71) Applicant: **TECHNOGYM S.p.A.**, Forli-Cesena (IT)

(72) Inventors: **Ivan Lisi**, Forli-Cesena (IT); **Nerio Alessandri**, Forli-Cesena (IT)

(73) Assignee: **TECHNOGYM S.p.A.**, Forli-Cesena (IT)

(\*\*) Term: **15 Years**

(21) Appl. No.: **29/558,028**

(22) Filed: **Mar. 15, 2016**

(30) **Foreign Application Priority Data**

Sep. 16, 2015 (EM) ..... 002773812

(51) **LOC (11) Cl.** ..... **21-02**

(52) **U.S. Cl.**  
USPC ..... **D21/669**

(58) **Field of Classification Search**

USPC ..... D21/662, 668, 669, 670, 671  
CPC ..... A63B 24/0062; A63B 24/0087; A63B 24/0075; A63B 22/0605; A63B 2024/0065; A63B 21/225; A63B 21/4034; A63B 21/4035; A63B 2220/12; A63B 22/02; A63B 22/0664; A63B 71/0622; A63B 2024/0068; A63B 2024/0093

See application file for complete search history.

(56) **References Cited**

**U.S. PATENT DOCUMENTS**

D358,436 S \* 5/1995 Piaget ..... D21/669  
D450,792 S \* 11/2001 Kuo ..... D21/669  
D521,577 S \* 5/2006 Wu ..... D21/669  
D531,683 S \* 11/2006 Choi ..... D21/669  
D624,975 S \* 10/2010 Flick ..... D21/669  
8,308,619 B1 \* 11/2012 Astilean ..... A63B 21/156 482/54

8,343,016 B1 \* 1/2013 Astilean ..... A63B 21/156 482/54  
D728,045 S \* 4/2015 Hubler ..... D21/694  
D751,156 S \* 3/2016 Tasca ..... D21/669  
9,694,234 B2 \* 7/2017 Dalebout ..... A63B 22/02  
2012/0010048 A1 \* 1/2012 Bayerlein ..... A63B 21/0053 482/2  
2012/0270705 A1 \* 10/2012 Lo ..... A63B 22/02 482/54

(Continued)

*Primary Examiner* — Caron D Veynar

*Assistant Examiner* — Katrina N Gonzalez

(74) *Attorney, Agent, or Firm* — Thomas | Horstemeyer, LLP

(57) **CLAIM**

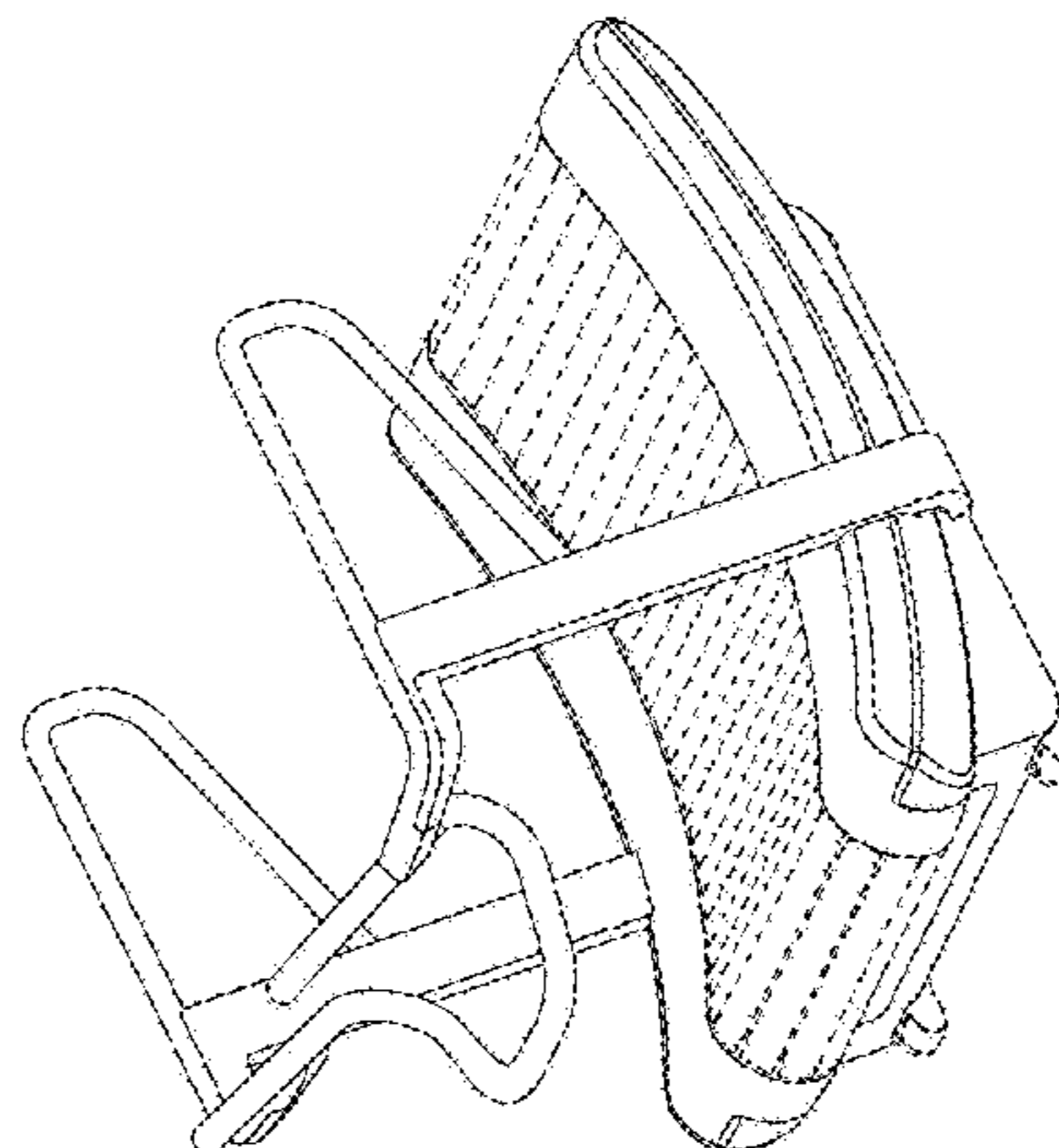
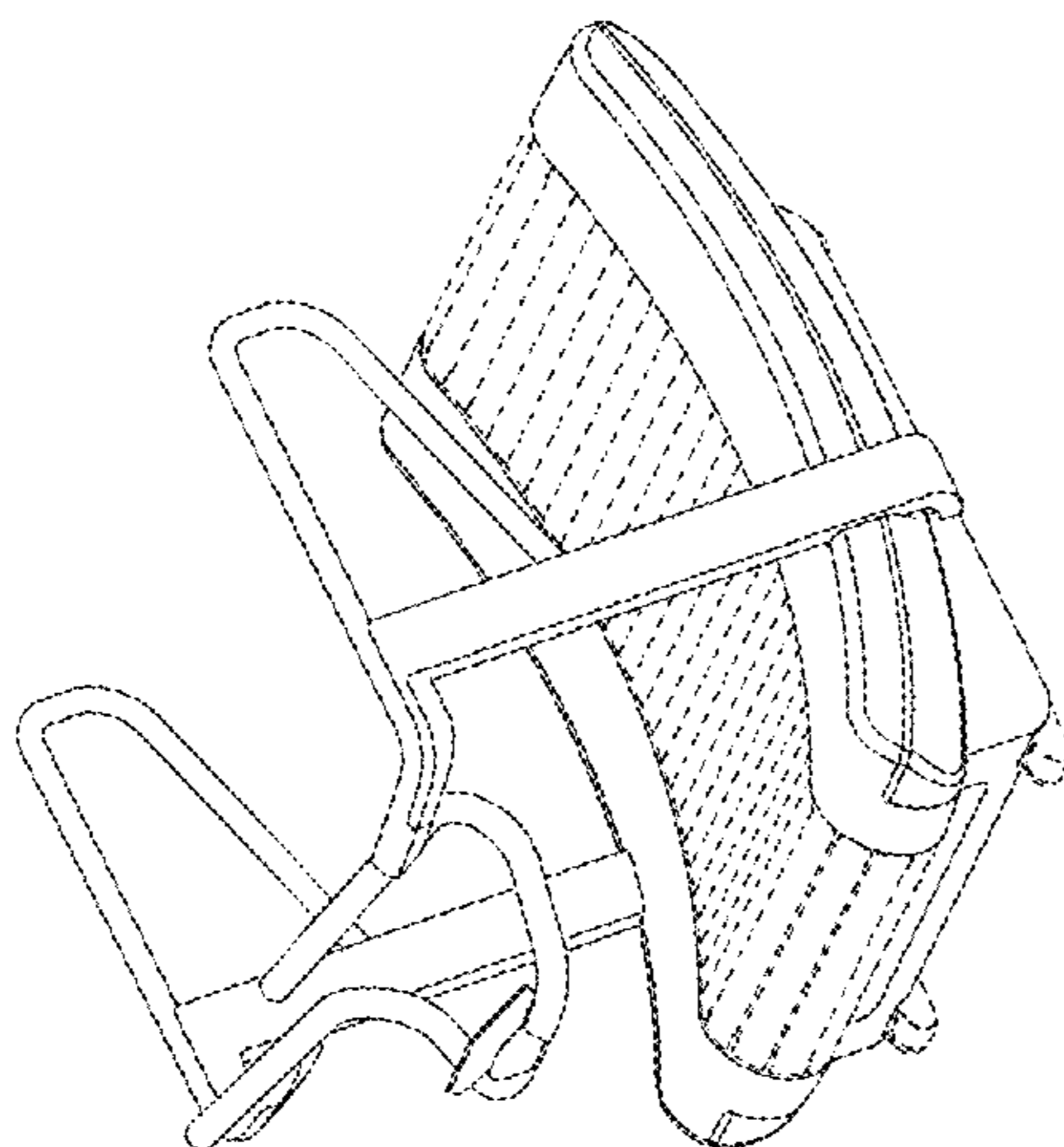
The ornamental design for an exercise equipment, as shown and described.

**DESCRIPTION**

FIG. 1 is a perspective view of the first embodiment of an exercise equipment showing our new design;  
FIG. 2 is a front view thereof;  
FIG. 3 is a rear view thereof;  
FIG. 4 is a side view thereof;  
FIG. 5 is another side view thereof;  
FIG. 6 is a top view thereof;  
FIG. 7 is a bottom view thereof;  
FIG. 8 is a perspective view of the second embodiment of an exercise equipment showing our new design;  
FIG. 9 is a front view thereof;  
FIG. 10 is a rear view thereof;  
FIG. 11 is a side view thereof;  
FIG. 12 is another side view thereof;  
FIG. 13 is a top view thereof; and,  
FIG. 14 is a bottom view thereof.

The broken lines are shown for the purpose of illustrating portions of the article that form no part of the claimed design.

**1 Claim, 14 Drawing Sheets**



(56)

**References Cited**

U.S. PATENT DOCUMENTS

2013/0231219	A1 *	9/2013	Huang .....	A63B 22/02 482/54
2014/0011642	A1 *	1/2014	Astilean .....	A63B 22/02 482/54
2014/0121066	A1 *	5/2014	Huang .....	A63B 22/02 482/54
2015/0174444	A1 *	6/2015	Murray .....	A61B 5/112 482/54
2016/0144224	A1 *	5/2016	Dalebout .....	A63B 22/02 482/54
2016/0144225	A1 *	5/2016	Dalebout .....	A63B 22/02 482/54
2016/0166877	A1 *	6/2016	Cei .....	A63B 22/02 482/54

\* cited by examiner

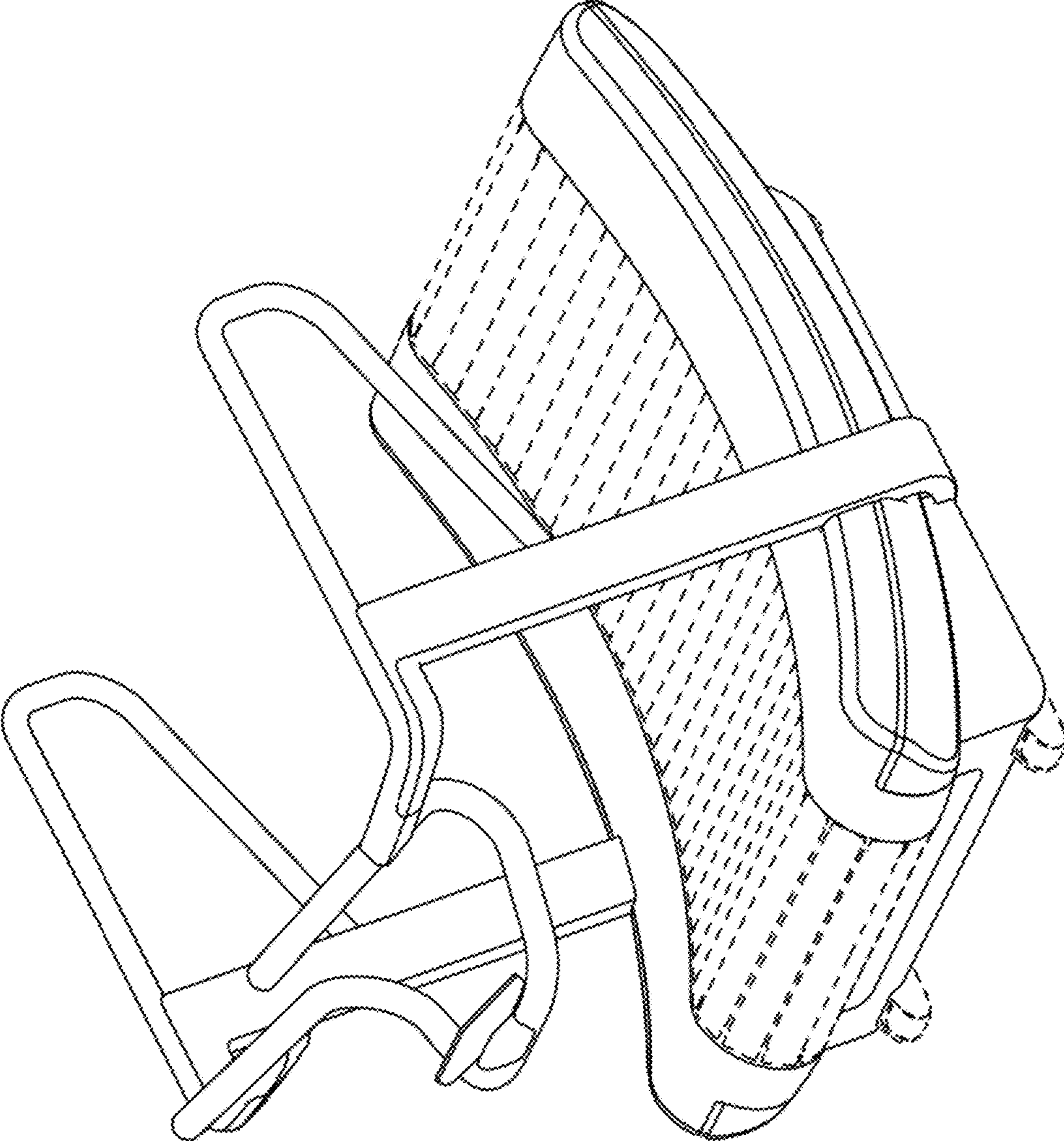


FIG. 1

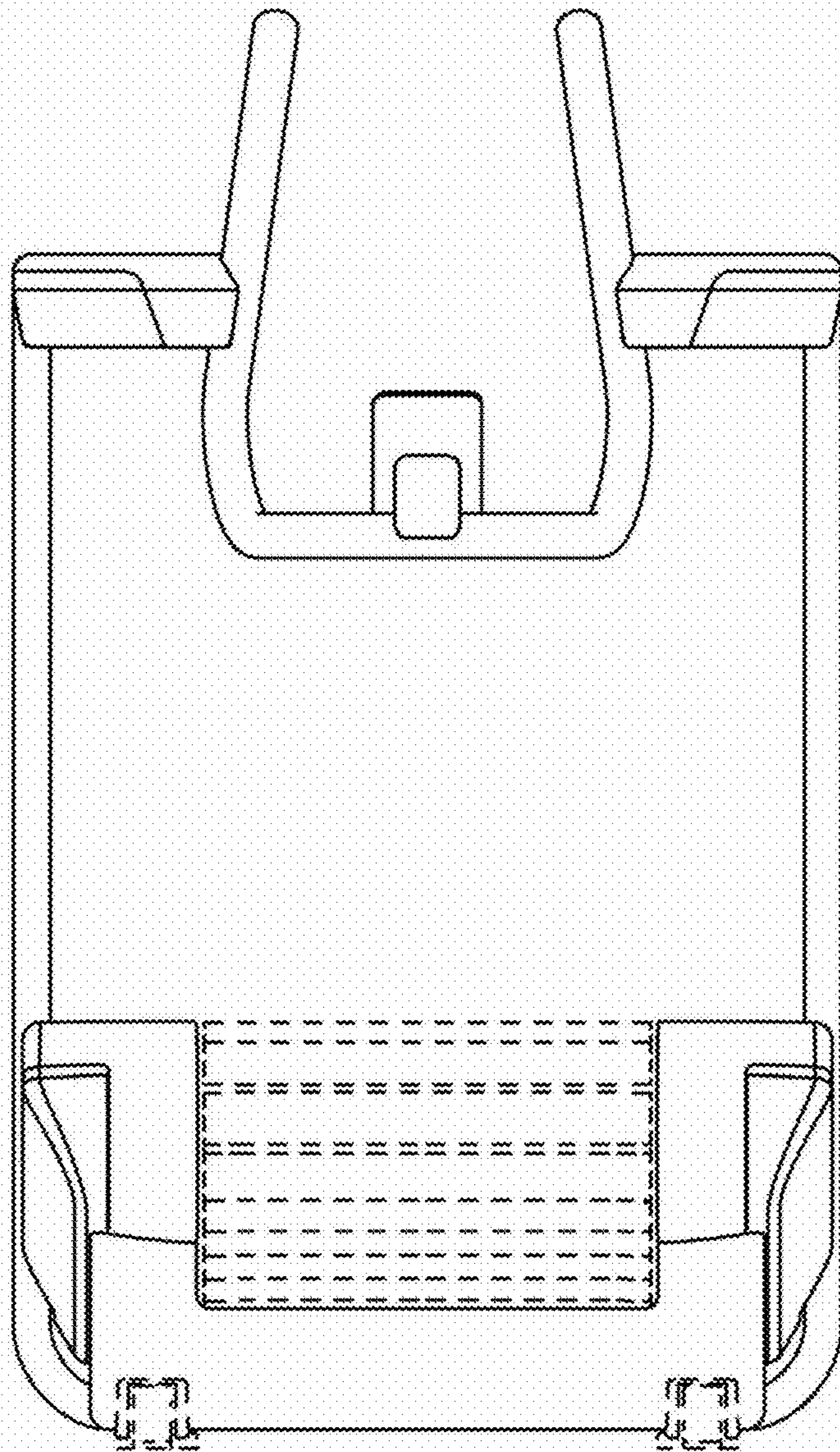


FIG. 2

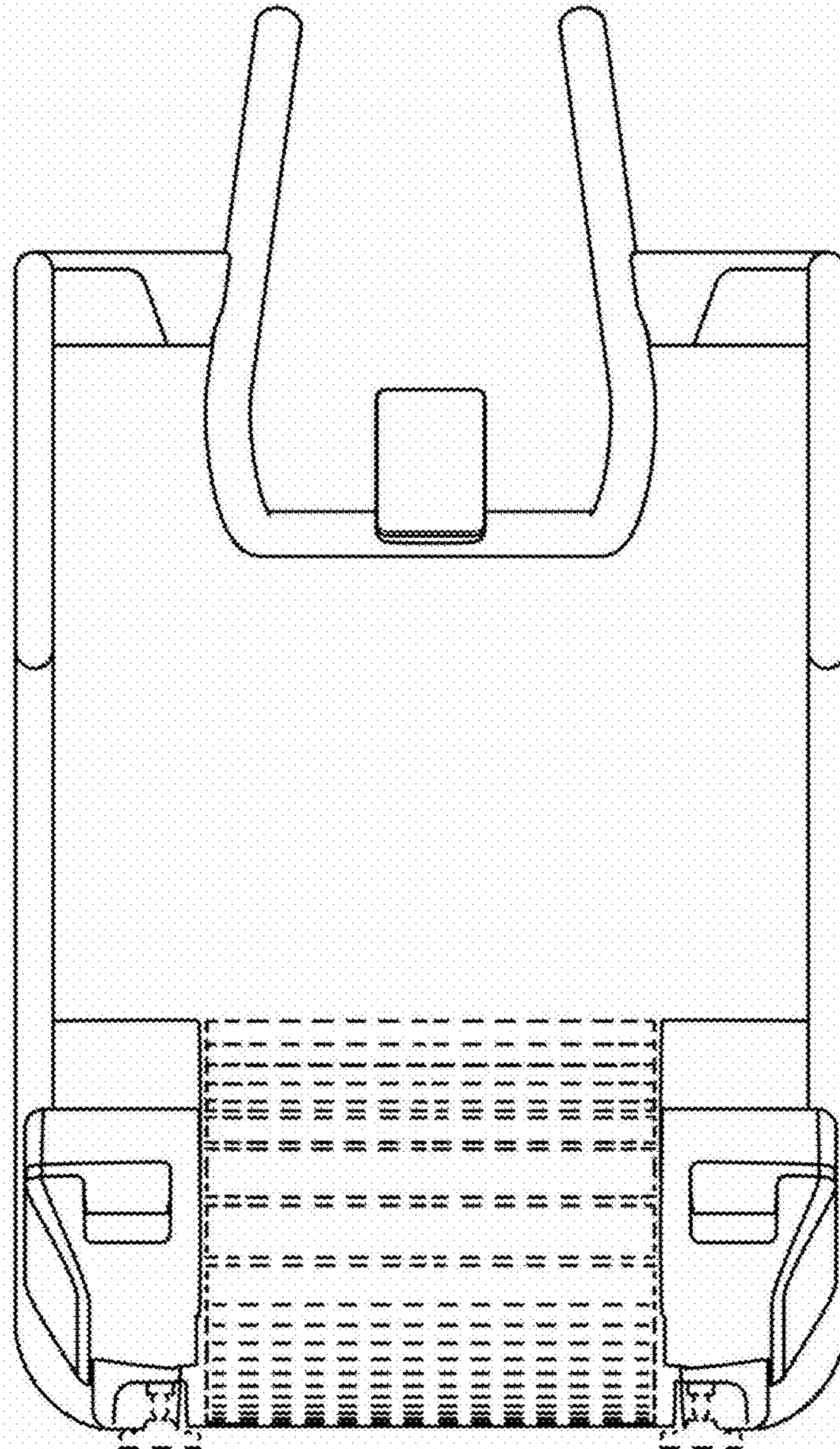


FIG. 3

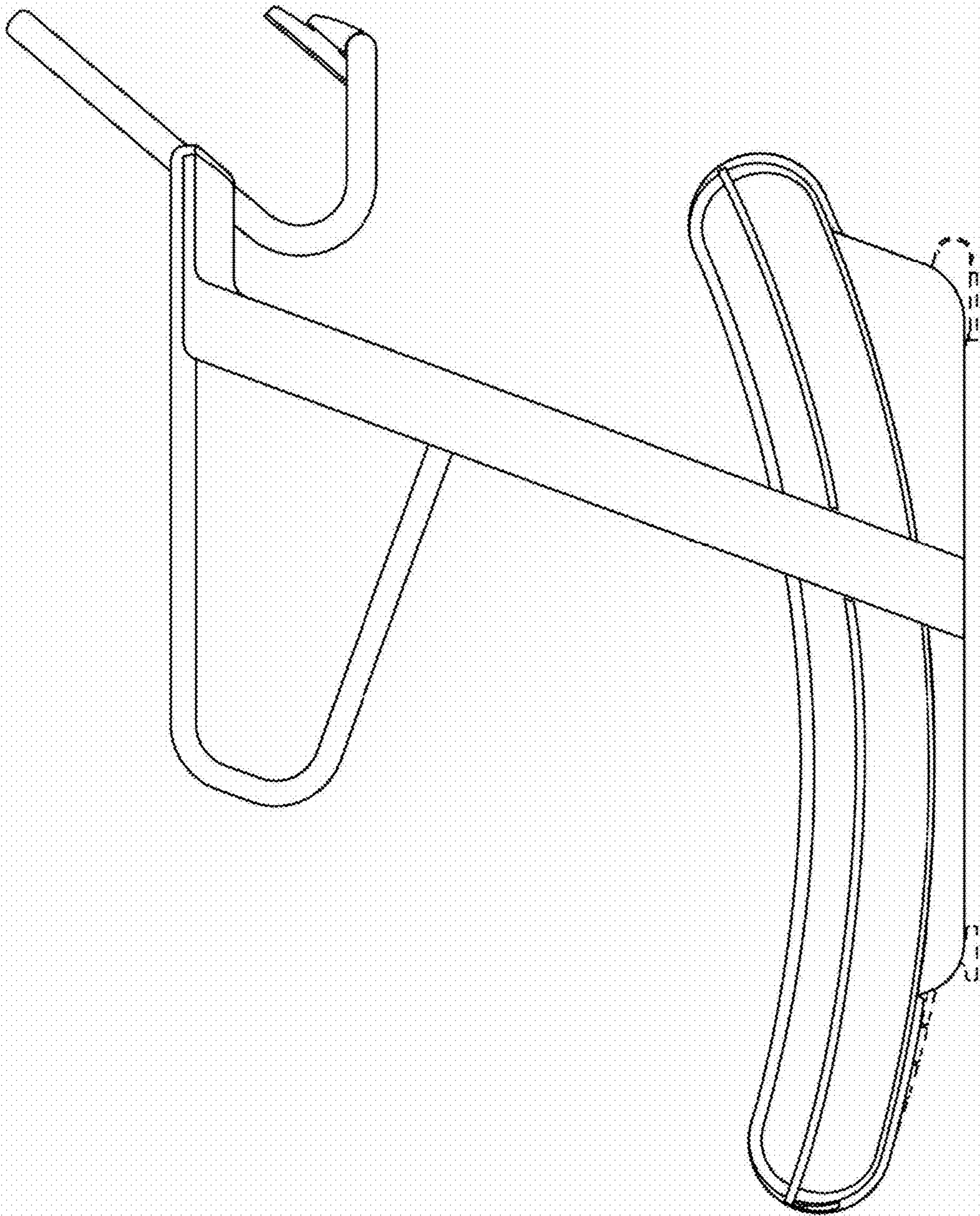


FIG. 4

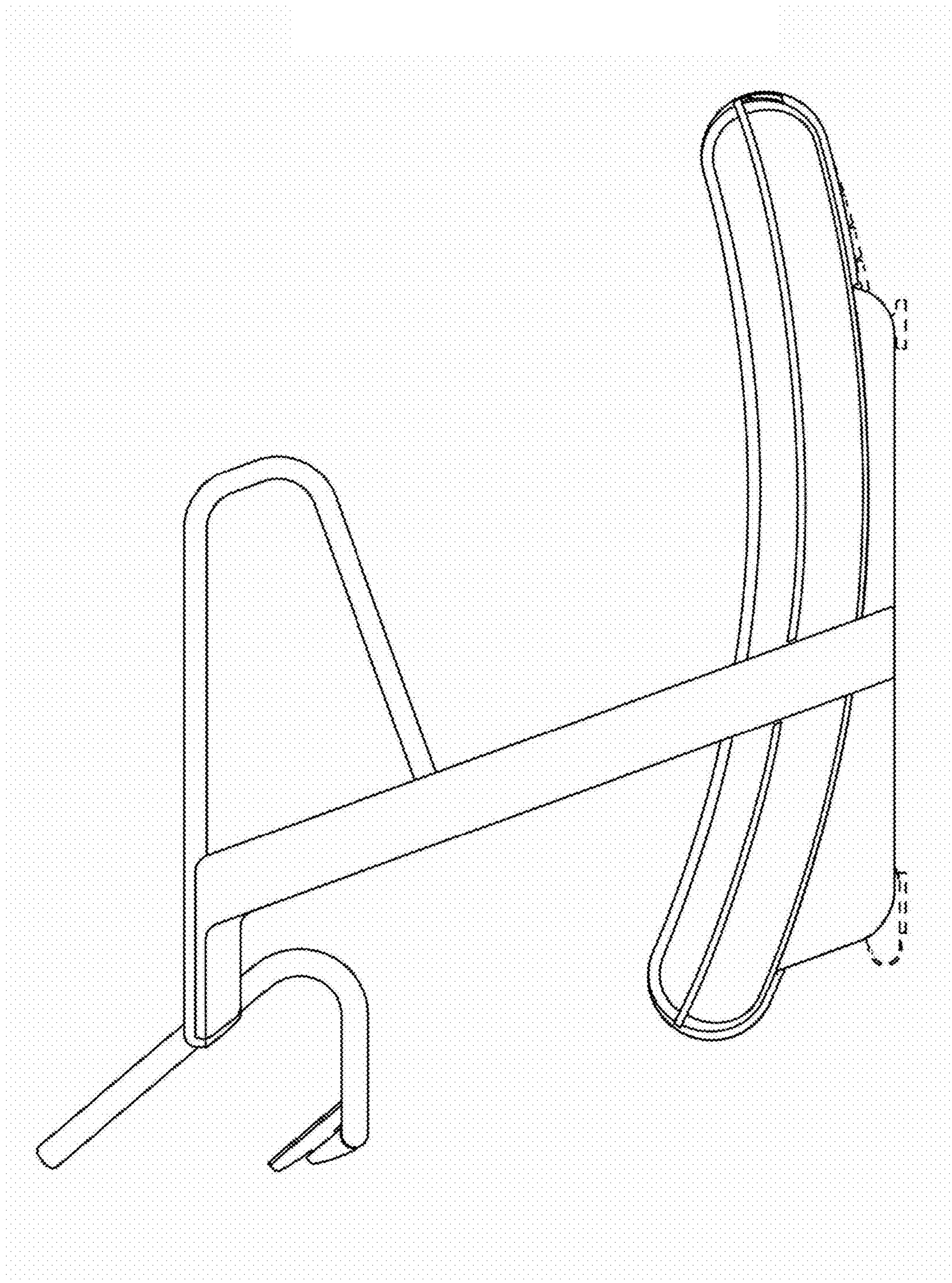


FIG. 5

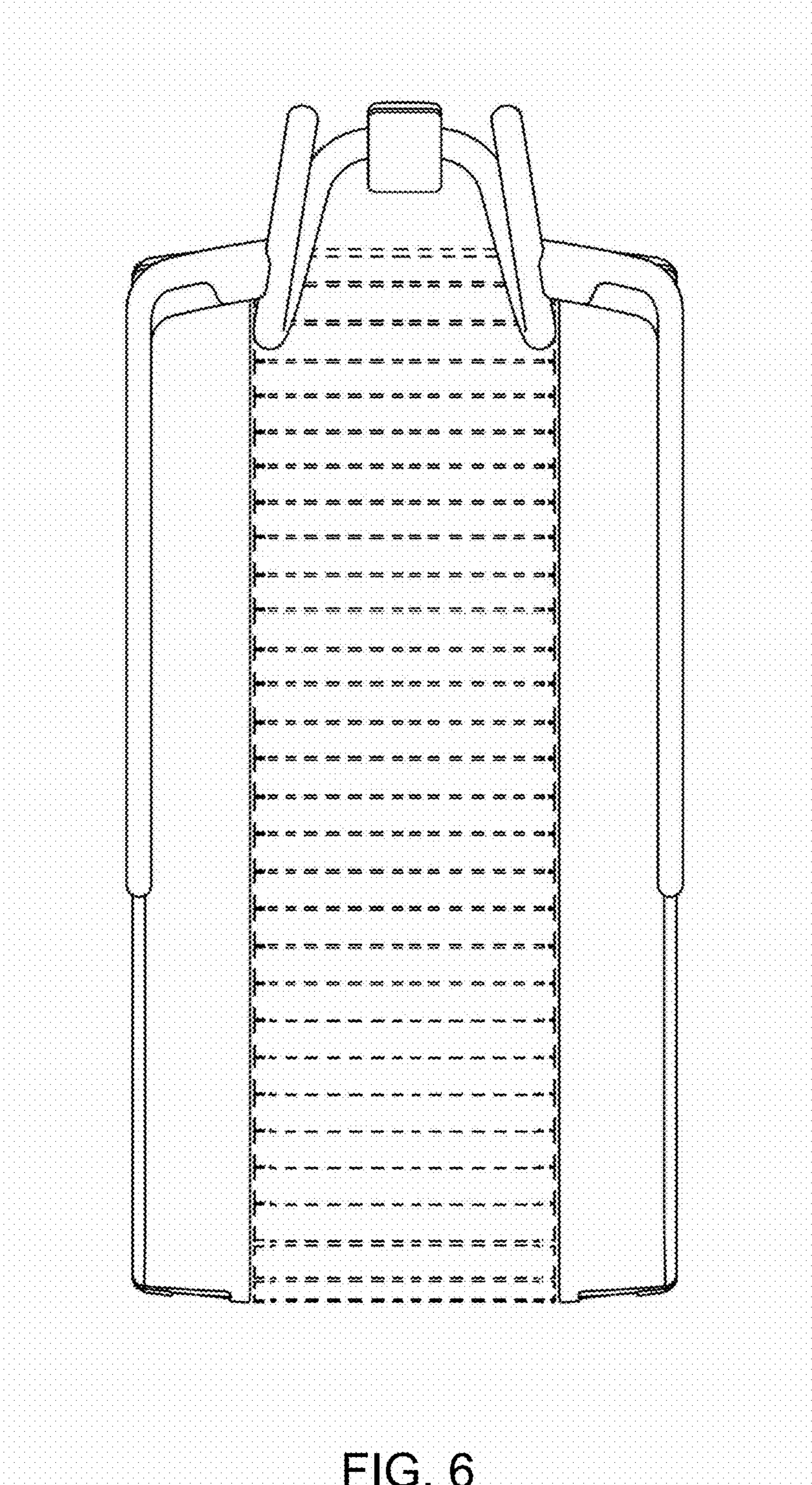


FIG. 6



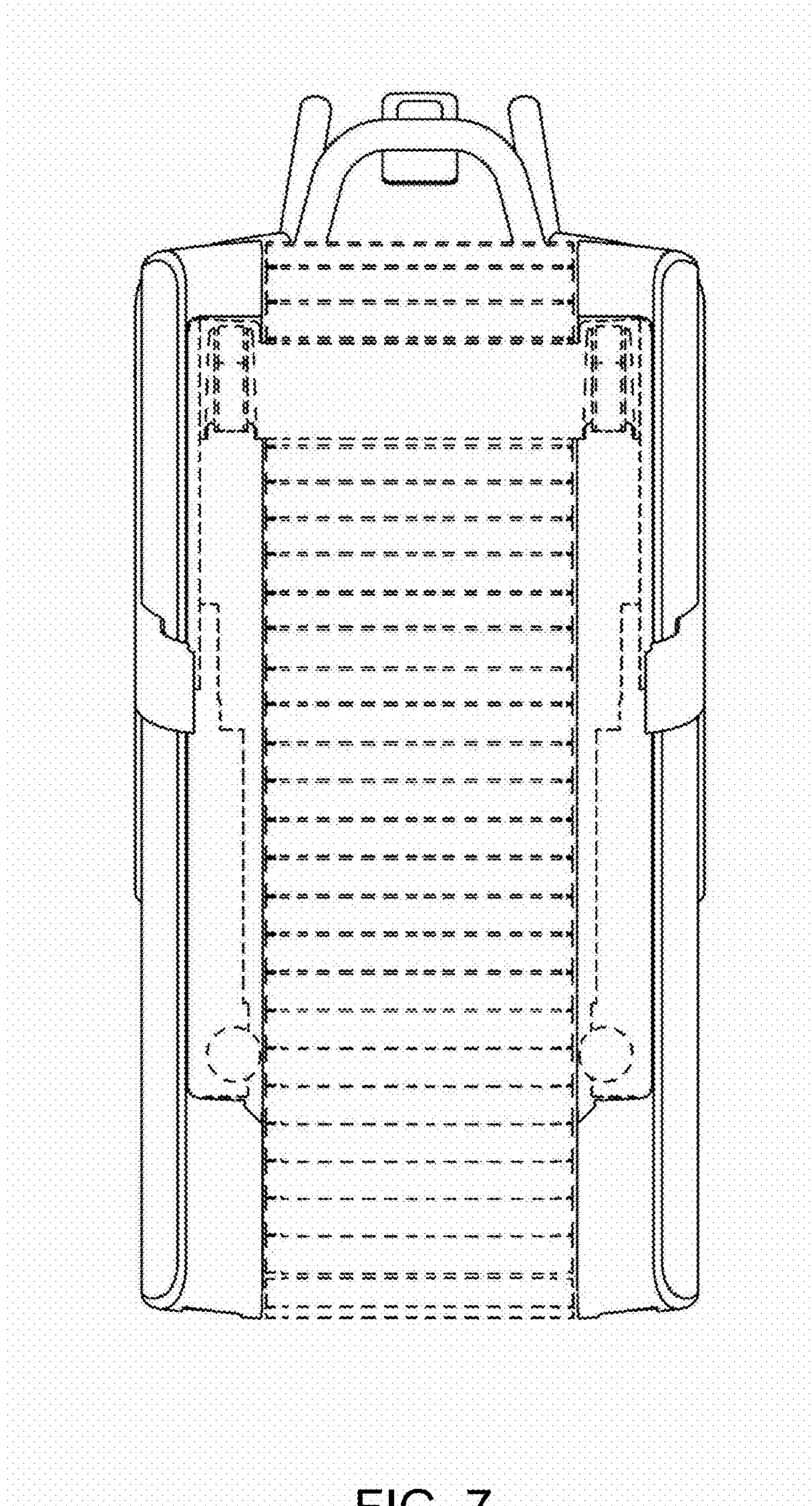


FIG. 7

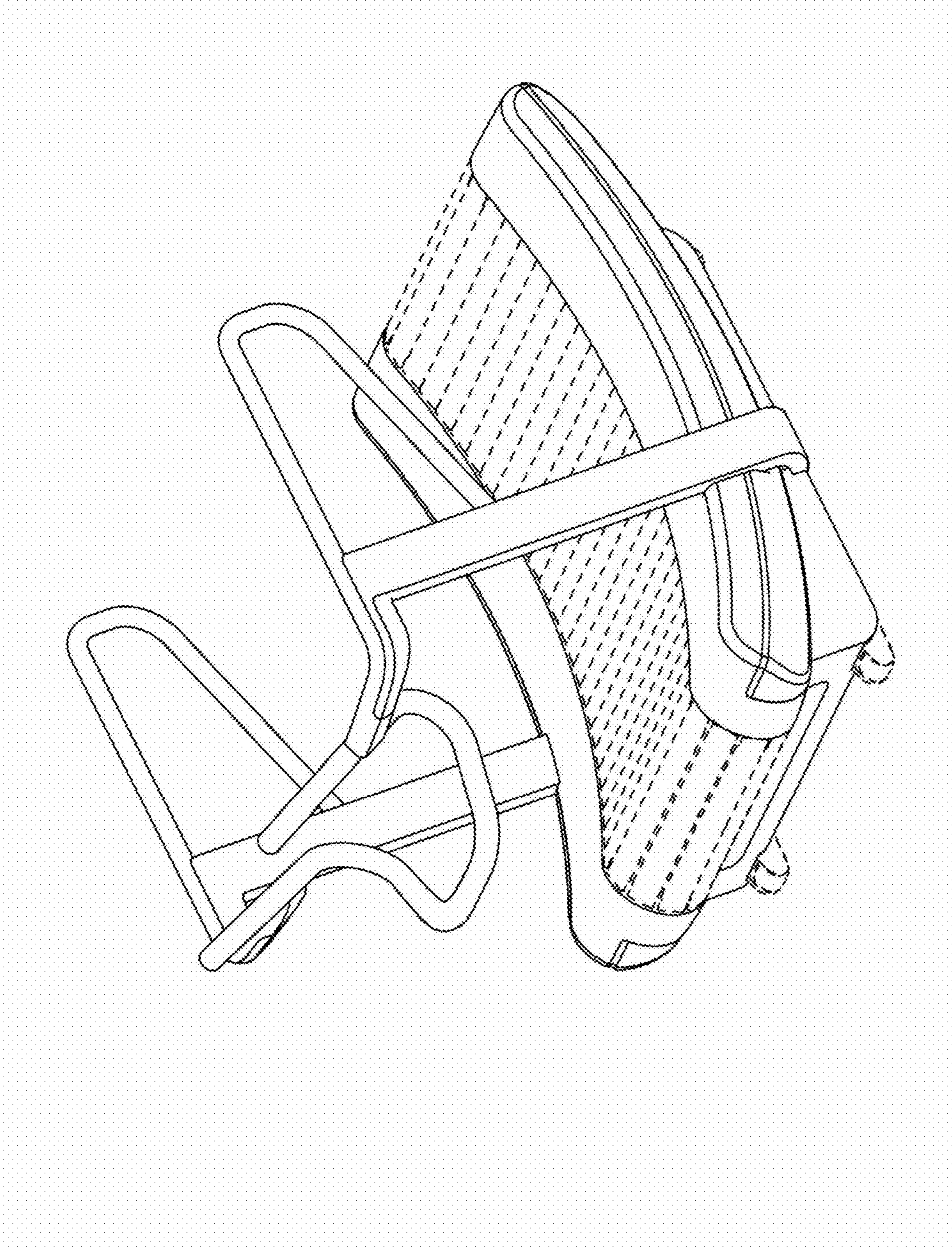


FIG. 8

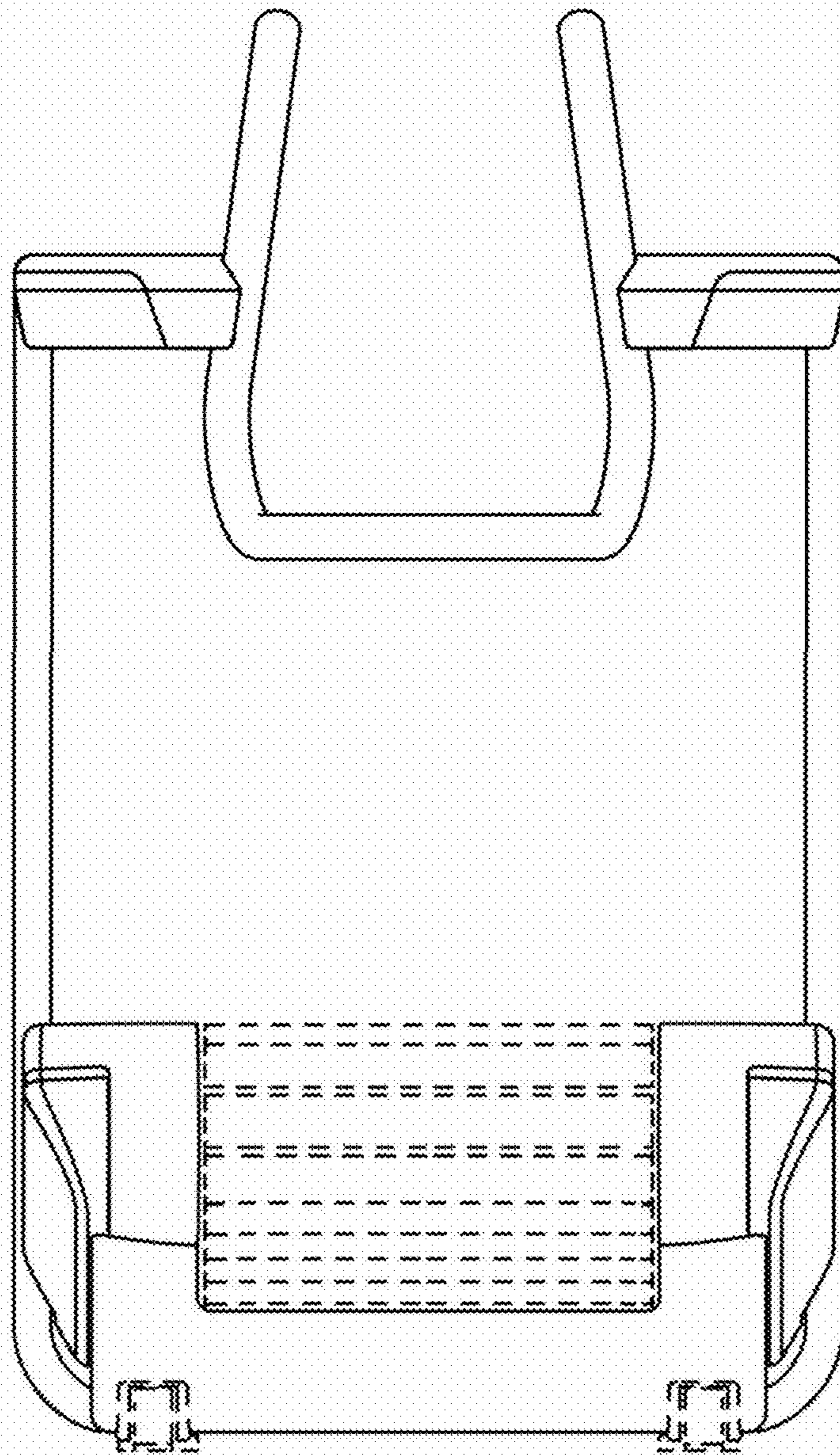


FIG. 9

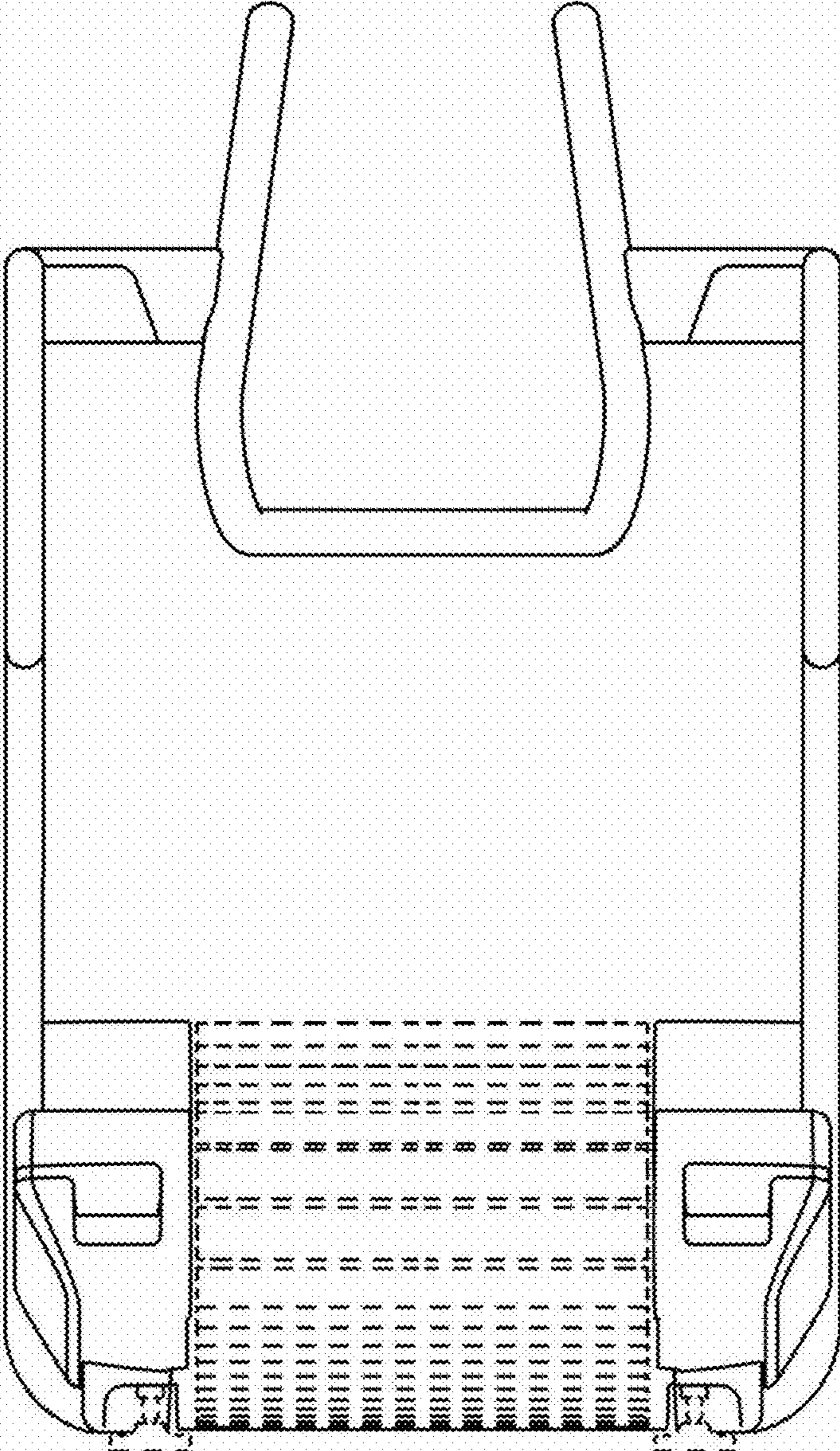


FIG. 10

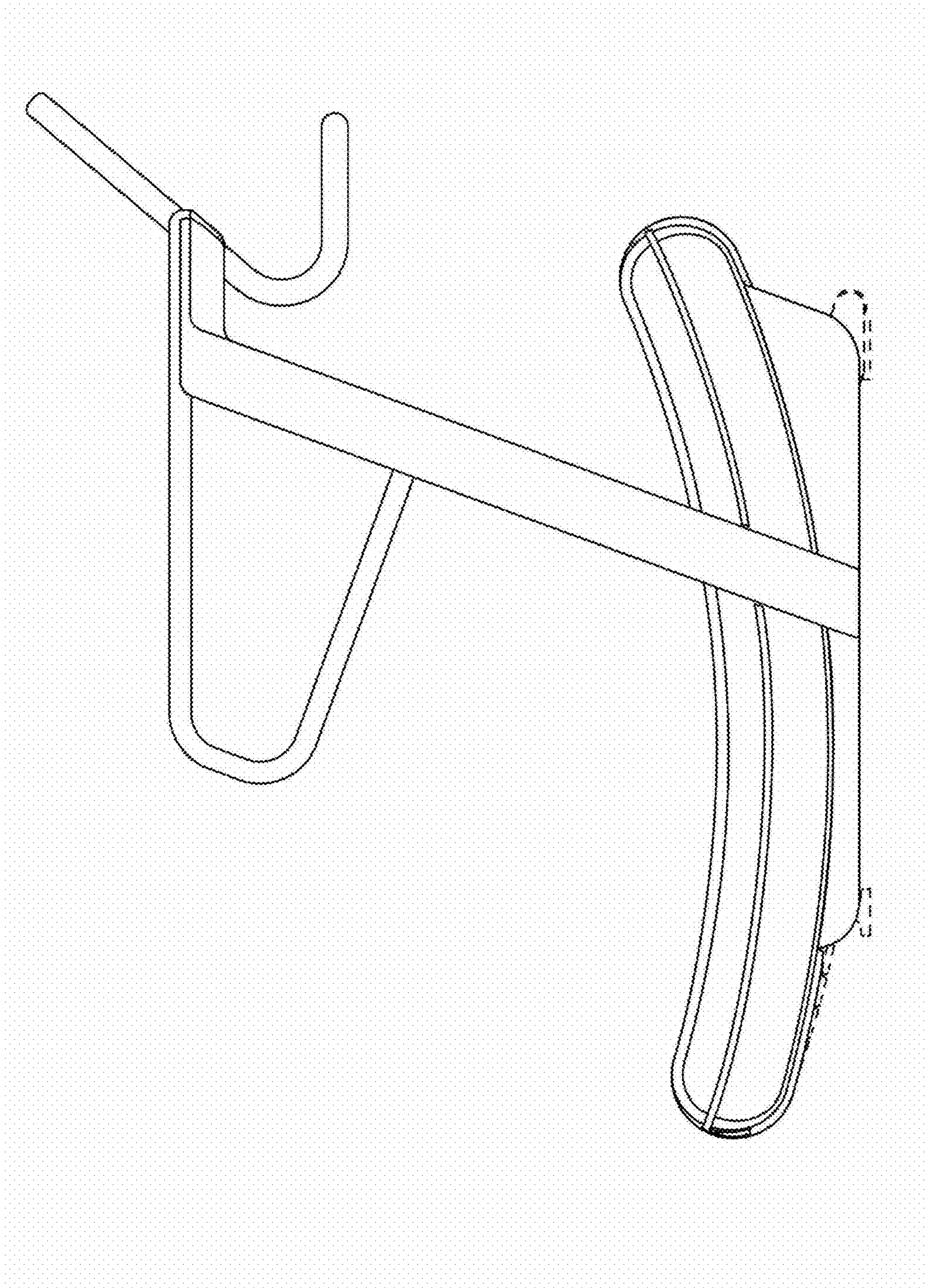


FIG. 11

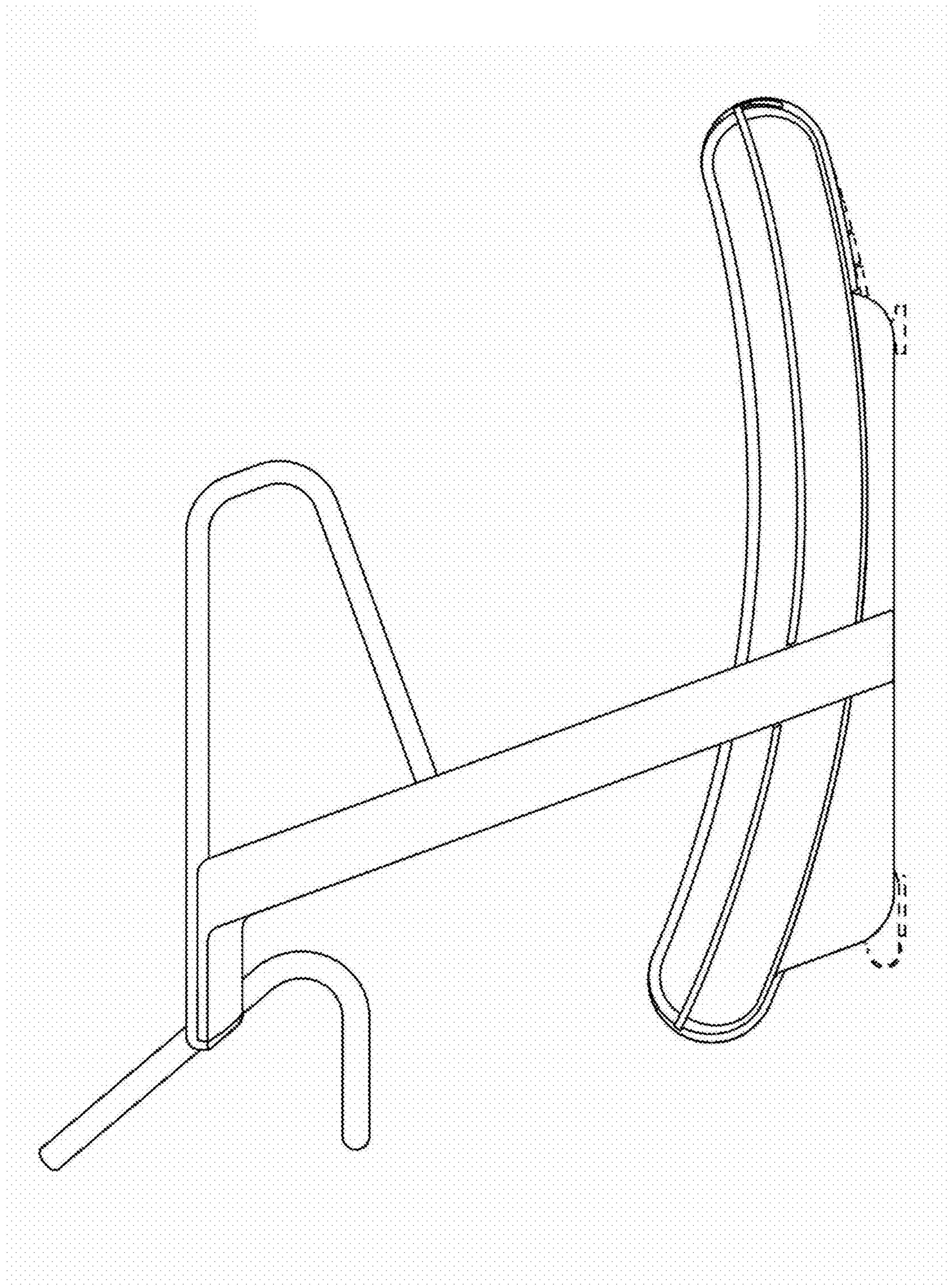


FIG. 12

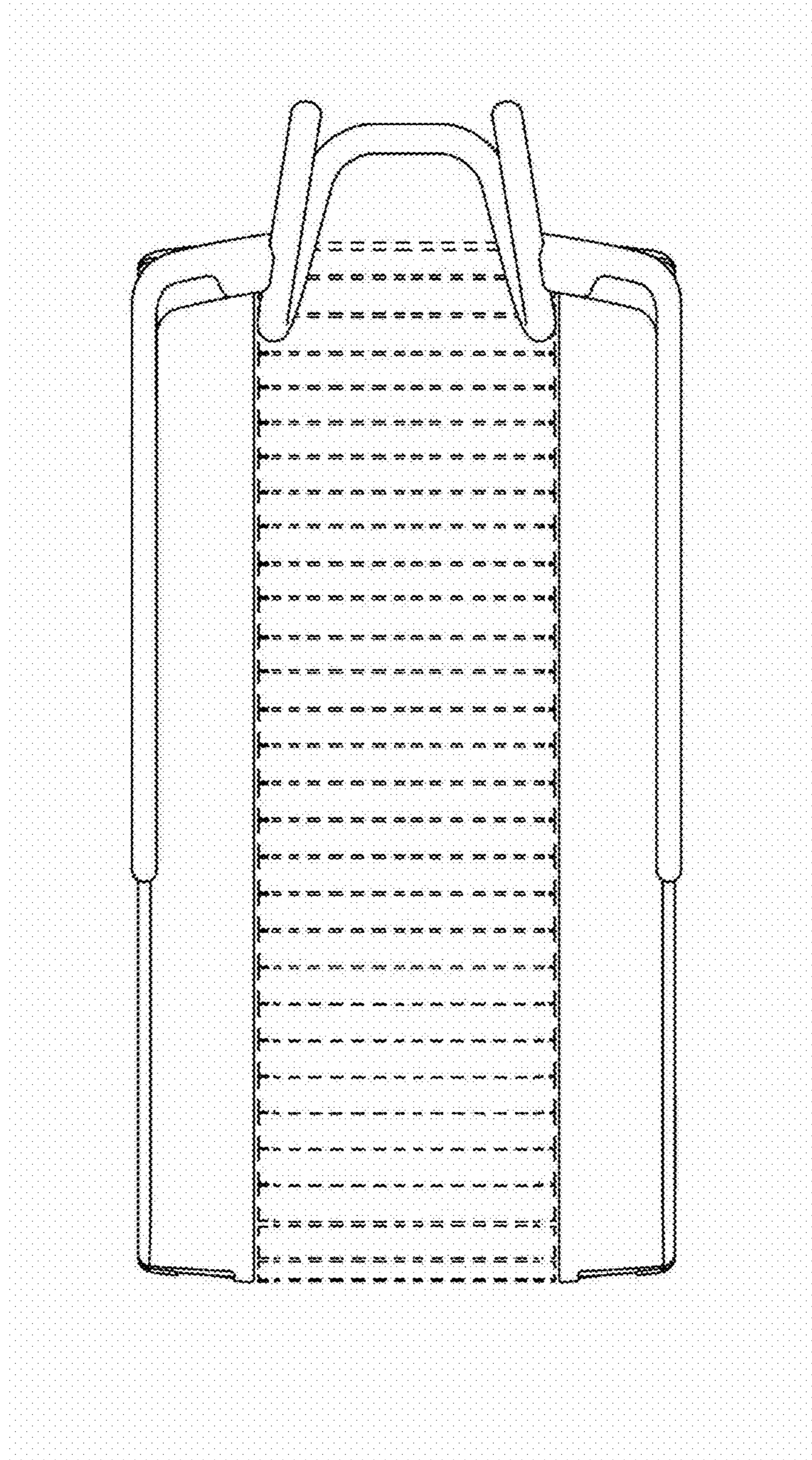


FIG. 13

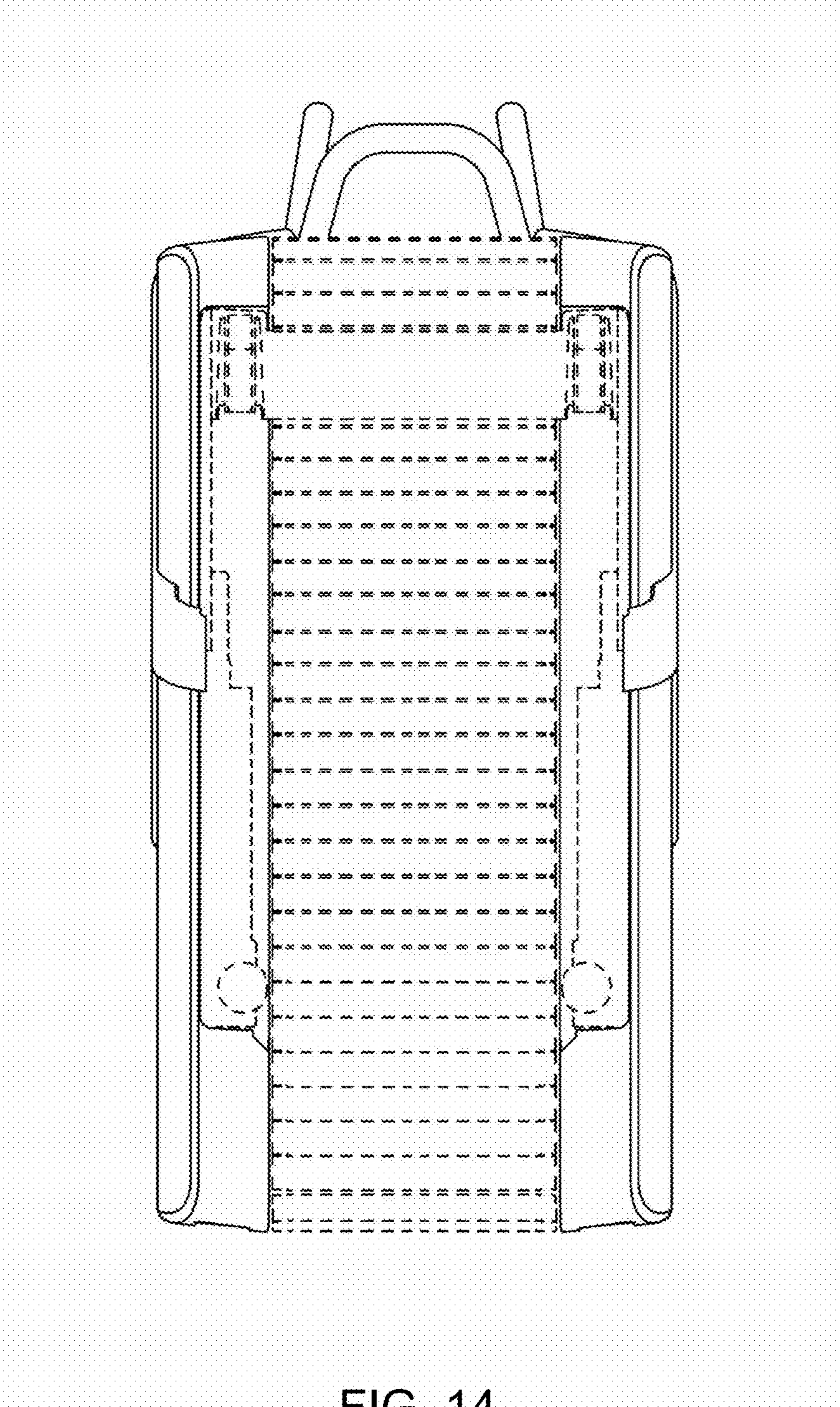


FIG. 14