



US00D827055S

(12) **United States Design Patent** (10) **Patent No.:** **US D827,055 S**
Barajas et al. (45) **Date of Patent:** **** Aug. 28, 2018**

(54) **FRONT BUMPER FOR A MODEL VEHICLE**

FOREIGN PATENT DOCUMENTS

(71) Applicant: **TRAXXAS LP**, McKinney, TX (US)

TW D147600 S 6/2012
TW D154920 S 7/2013

(72) Inventors: **Jaime Felix Barajas**, Dallas, TX (US);
Kent Poteet, Lucas, TX (US)

(Continued)

(73) Assignee: **Traxxas LP**, McKinney, TX (US)

OTHER PUBLICATIONS

(**) Term: **15 Years**

Traxxas LP; The New Traxxas Summit 16.8 V Electric Extreme Terrain Monster Truck; Traxxas Press Release; Oct. 16, 2008.

(21) Appl. No.: **29/592,278**

(Continued)

(22) Filed: **Jan. 27, 2017**

Primary Examiner — Manpreet S Matharu

(51) **LOC (11) Cl.** **21-01**

Assistant Examiner — Keith J Wilson

(52) **U.S. Cl.**

(74) *Attorney, Agent, or Firm* — Daryl R. Wright; Greg Carr

USPC **D21/561**

(58) **Field of Classification Search**

(57) **CLAIM**

USPC D12/163–172
CPC B60R 19/02; B60R 19/023; B60R 19/18;
B60R 19/24; B60R 19/44; B60R 19/48;
B60R 19/56; B60R 2019/527; B60R
2019/1886

We claim the ornamental design for a front bumper for a model vehicle, as shown and described.

See application file for complete search history.

DESCRIPTION

(56) **References Cited**

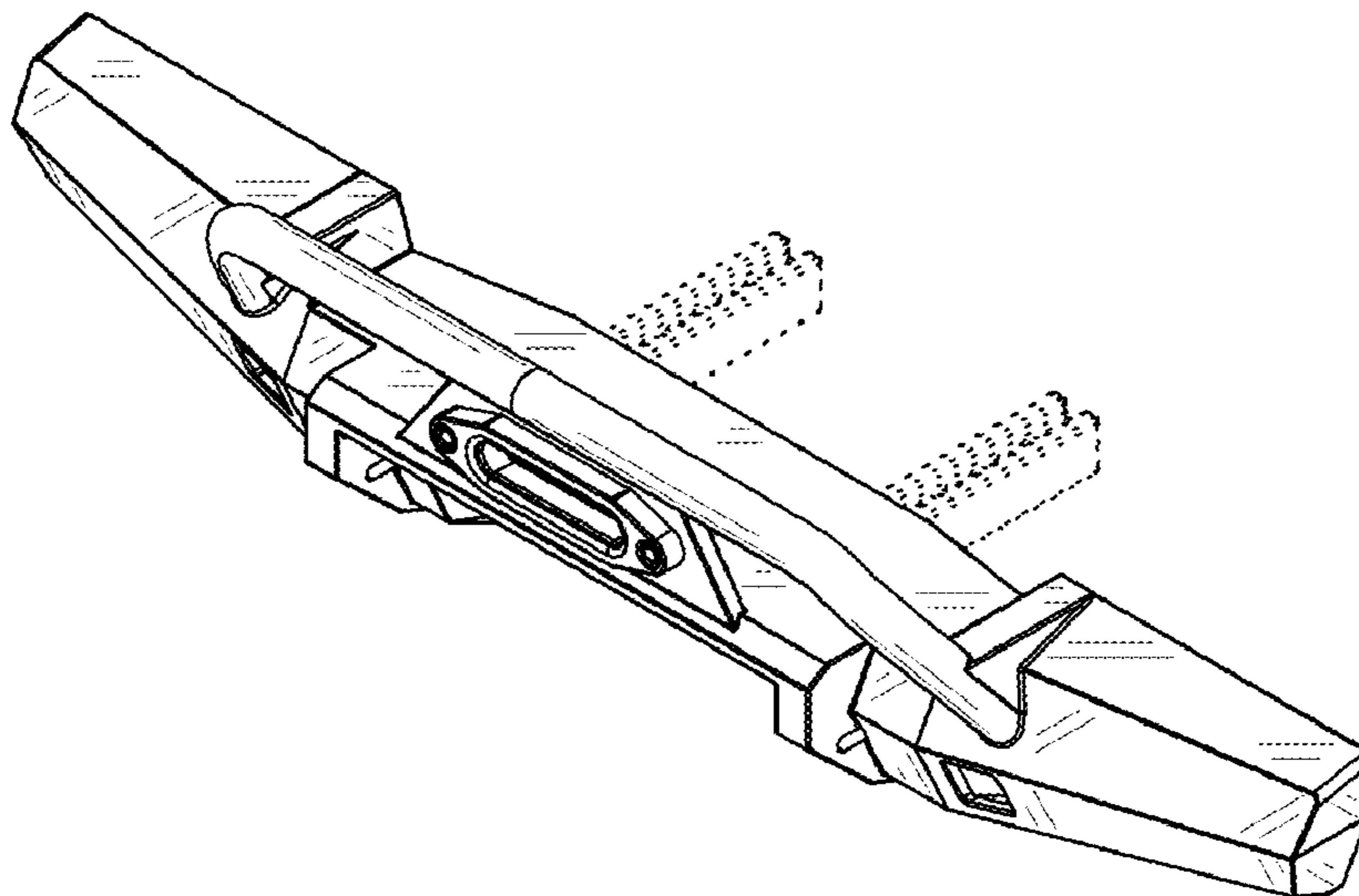
U.S. PATENT DOCUMENTS

1,355,592 A 10/1920 Graw
1,414,382 A 5/1922 Stafford
1,427,624 A 8/1922 Newton
1,448,504 A 3/1923 Plante
1,468,868 A 5/1923 Reichstetter, Jr. et al.
1,464,321 A 8/1923 Koester et al.
1,487,352 A 3/1924 Nelson
1,494,867 A 5/1924 Rahe
1,509,394 A 9/1924 Cox
1,534,760 A 4/1925 Blackmore
1,633,603 A 6/1927 Otis
1,655,978 A 1/1928 Vella

FIG. 1 is a top, left, front perspective view of a front bumper for a model vehicle;
FIG. 2 is a, top, right, rear perspective view thereof;
FIG. 3 is a front elevation view thereof;
FIG. 4 is a rear elevation view thereof;
FIG. 5 is a right side elevation view thereof;
FIG. 6 is a left side elevation view thereof;
FIG. 7 is a top plan view thereof;
FIG. 8 is a bottom plan view thereof; and,
FIG. 9 is a top, left, front perspective view of a front bumper for a model vehicle mounted on a model vehicle platform. The broken lines in FIGS. 1-8 depict portions of the front bumper for a model vehicle that form no part of the claimed design. The remaining broken lines shown in FIG. 9 depict environmental subject matter, specifically a model vehicle platform, and form no part of the claimed design.

(Continued)

1 Claim, 5 Drawing Sheets



(56)

References Cited

U.S. PATENT DOCUMENTS

1,729,731 A 10/1929 Vidach
 1,867,708 A 7/1931 Paton
 1,836,610 A 12/1931 McMurdo
 1,982,775 A 12/1934 Williams
 2,038,964 A 4/1936 Smith
 2,144,357 A 1/1939 Booharin
 2,146,642 A 2/1939 Mueth
 2,227,560 A 1/1941 Szabo
 2,236,507 A 4/1941 Kreits
 2,502,483 A 4/1950 Sauer et al.
 D160,661 S 10/1950 Ross
 2,604,349 A 7/1952 Martinetz
 3,547,469 A 12/1970 Sancioni
 3,663,048 A 5/1972 Zimmerle
 3,689,054 A 9/1972 Gouirand
 3,756,643 A 9/1973 Weed
 3,774,948 A 11/1973 Gouirand
 3,782,767 A 1/1974 Moore
 3,829,118 A 8/1974 Gouirand
 3,837,695 A 9/1974 Haase et al.
 3,938,840 A 2/1976 Haase et al.
 3,971,583 A 7/1976 Kornhauser
 4,264,094 A 4/1981 White et al.
 D300,128 S 3/1989 Brennan
 5,181,699 A 1/1993 Chang
 5,326,083 A 7/1994 Wydra et al.
 D360,865 S 8/1995 Hanson
 D375,067 S 10/1996 Bronstein
 D403,023 S 12/1998 Araki
 5,971,451 A 10/1999 Huang
 D420,634 S 2/2000 Nelson
 D420,962 S 2/2000 Chevalier
 D422,953 S 4/2000 Waagenaar
 D425,462 S 5/2000 Ujiie
 D431,506 S 10/2000 Runfola
 6,217,090 B1 4/2001 Berzinji
 D454,098 S 3/2002 McGuinness
 D454,099 S * 3/2002 McGuinness D12/171
 D454,817 S * 3/2002 McGuinness D12/171
 D455,684 S 4/2002 McGuinness
 D455,988 S 4/2002 McGuinness
 D462,401 S 9/2002 Wu
 D462,727 S 9/2002 Wu
 D464,087 S 10/2002 Wu
 D485,219 S 1/2004 Hamm et al.
 D487,038 S 2/2004 Chan
 D506,421 S 6/2005 Newbill
 D521,572 S 5/2006 Yuen
 7,097,222 B2 8/2006 Ran
 D527,696 S 9/2006 Ichikawa et al.
 D532,348 S 11/2006 Kudo et al.
 D533,606 S 12/2006 Kaminski
 D534,593 S 1/2007 Yuen
 D577,083 S 9/2008 Nakayama
 D580,322 S 11/2008 Schroeder et al.
 D590,752 S 4/2009 Williams et al.
 D593,616 S 6/2009 Asai
 D606,913 S 12/2009 Robertson
 D636,305 S 4/2011 Alvarez et al.
 D642,099 S 7/2011 Nagao et al.
 D683,281 S * 5/2013 Harriton D12/169
 D691,074 S 10/2013 Dugardin
 D697,842 S * 1/2014 Harriton D12/167
 D699,640 S 2/2014 Duderstadt
 D704,107 S 5/2014 Peltola et al.
 D716,201 S 10/2014 Ewing et al.
 D728,038 S 4/2015 Ewing et al.
 D737,181 S * 8/2015 Smith D12/169
 D737,739 S 9/2015 Hanson et al.

D740,730 S 10/2015 Peltola et al.
 D744,384 S * 12/2015 Harriton D12/169
 D744,387 S * 12/2015 Harriton D12/169
 D749,021 S 2/2016 Boniface et al.
 D751,012 S 3/2016 Hare
 D753,034 S 4/2016 Thole et al.
 D760,133 S * 6/2016 Bennett D12/171
 D761,166 S 7/2016 Hare
 D763,745 S 8/2016 Lee et al.
 D776,582 S * 1/2017 Bennett D12/169
 D777,619 S * 1/2017 Barajas D12/167
 D784,869 S 4/2017 Yamamoto
 D792,817 S * 7/2017 McMath D12/169
 D793,304 S 8/2017 McMath
 D800,036 S * 10/2017 Bennett D12/169
 2009/0212581 A1 8/2009 Drever
 2013/0187395 A1 7/2013 Hanson et al.

FOREIGN PATENT DOCUMENTS

TW D163365 S 10/2014
 TW D168397 S 6/2015
 TW D169825 S 8/2015

OTHER PUBLICATIONS

Summit Erevo Crawler SP08503 front bumper; Oct. 16, 2008.
 Unknown; "How Do I Add a Ball Hitch to my RPM Rear Bumper (T/E-Maxx & Revo Bumpers)?" RPM, Jul. 30, 2005 [online], [retrieved on Sep. 12, 1996]. Retrieved from the internet ,URL: <http://www.rpmrproducts.com/faq/add-ball-hitch-rpm-rear-bumper-te-maxx-revo-bumpers/>>.
 Unknown; "Warn 87750 Elite Series Front Bumper with Grill Guard Tube" RPM, Jul. 17, 2013 [online], [retrieved on Sep. 12, 2016]. Retrieved from Internet ,URL: https://www.amazon.com/gp/product/B00625F4F1/ref=pd_sim_263_5?e=UTF8&pd_rd_i=B00625F4F1&pd_rd_r=QN6NZ5WV34ZS00Z3BSGH&pd_rd_w=4XjJD&pd_rd_wg=7Z80V&pvc=1&refRID=QN6NZ5WV34ZS0.
 Unknown; "Yeah Racing F/R Bumper w/ HD Shackie & LED's - SCX10, Traxxas." RC Hobbies, Nov. 12, 2014 [online], [retrieved on Sep. 12, 2016]. Retrieved from the Internet <URL: http://rchobbies.com.au/store/product_info.php?products_id=80405>.
 Unknown; Taiwan IPO Search Report; Taiwan Design Patent App No. 105301434; Aug. 4, 2016.
 Associated Electrics; "Catalog and Parts Listing for the Monster GT Truck"; 2003; Associated Electrics, Inc., Costa Mesa, California.
 Horizon Hobby; "Team Losi LST Super Truck—Drive Train Assy" exploded view; Horizon Hobby, Inc., Champaign, Illinois.
 HPI Racing, "Savage 21 4WD Giant Monster Truck" p. 56 exploded view; Hobby Products International, Foothill Ranch, California.
 Tamiya, "Terra Crusher Parts Breakdown—Front End"; Tamiya America, Inc., Aliso Viejo, California.
 Tamiya, "Wild Willy 2 Parts Breakdown"; 1999, Tamiya America, Inc., Aliso Viejo, California.
 Tamiya, "Wild Willy"; Tamiya America, Inc., Aliso Viejo, California; 1 photograph.
 Traxxas, "T-Maxx Assemblies—Front Assembly"; Traxxas LP, Plano, Texas.
 Axial; Axial SCX10 II 2000 Jeep Cherokee; <http://www.axialracing.com/products/ax90047>; Aug. 2016.
 Axial; Axial SCX 10 Deadbolt; <http://www.axialracing.com/products/ax90044>; Aug. 2016.
 Traxxas; Bumper support geometry, body mounts, body mount posts; <https://traxxas.com/products/parts/3619>; Oct. 2016.
 Unknown; Sema 2015 Fab Fours; 2 photos.

* cited by examiner

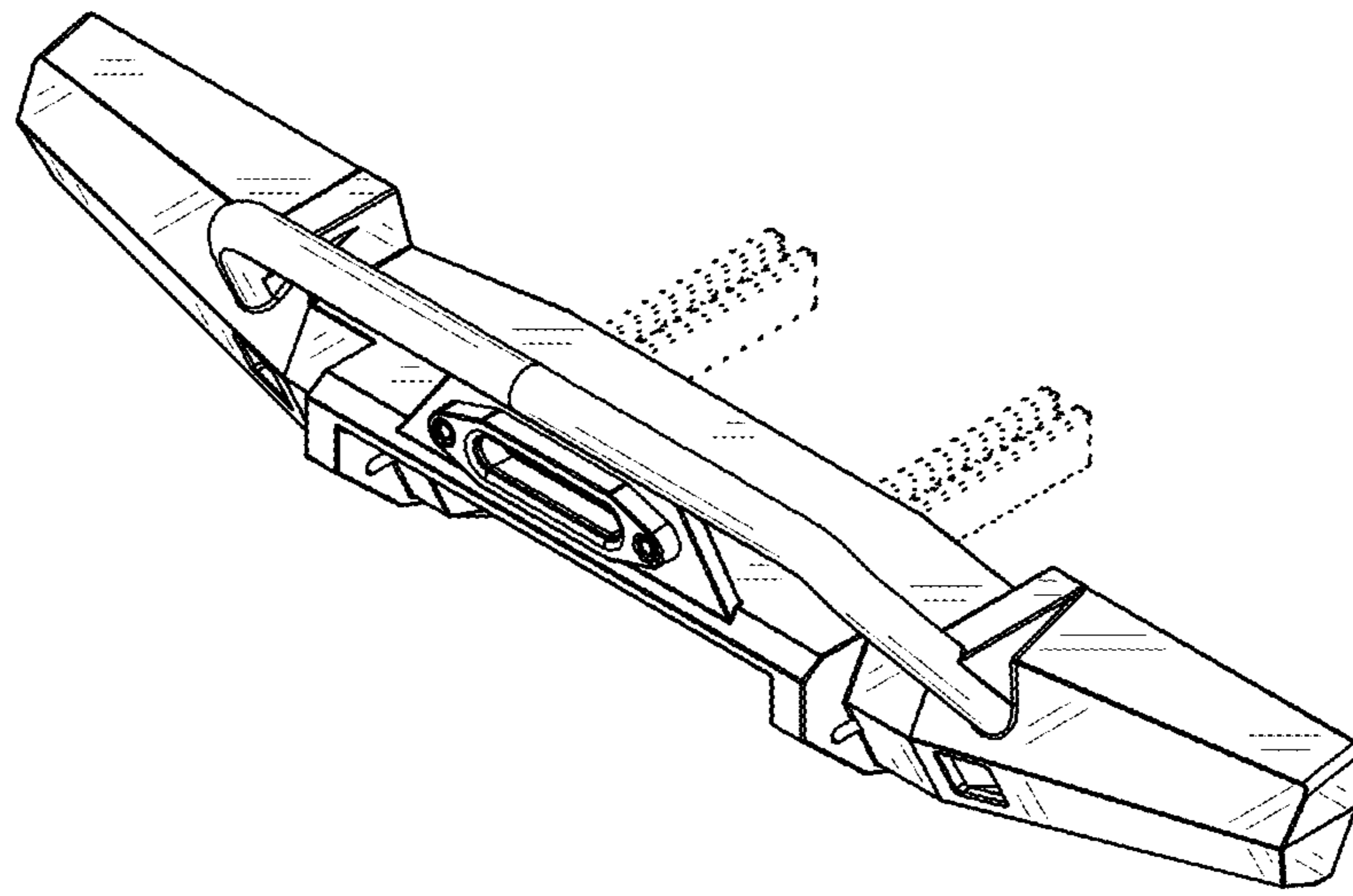


FIG. 1

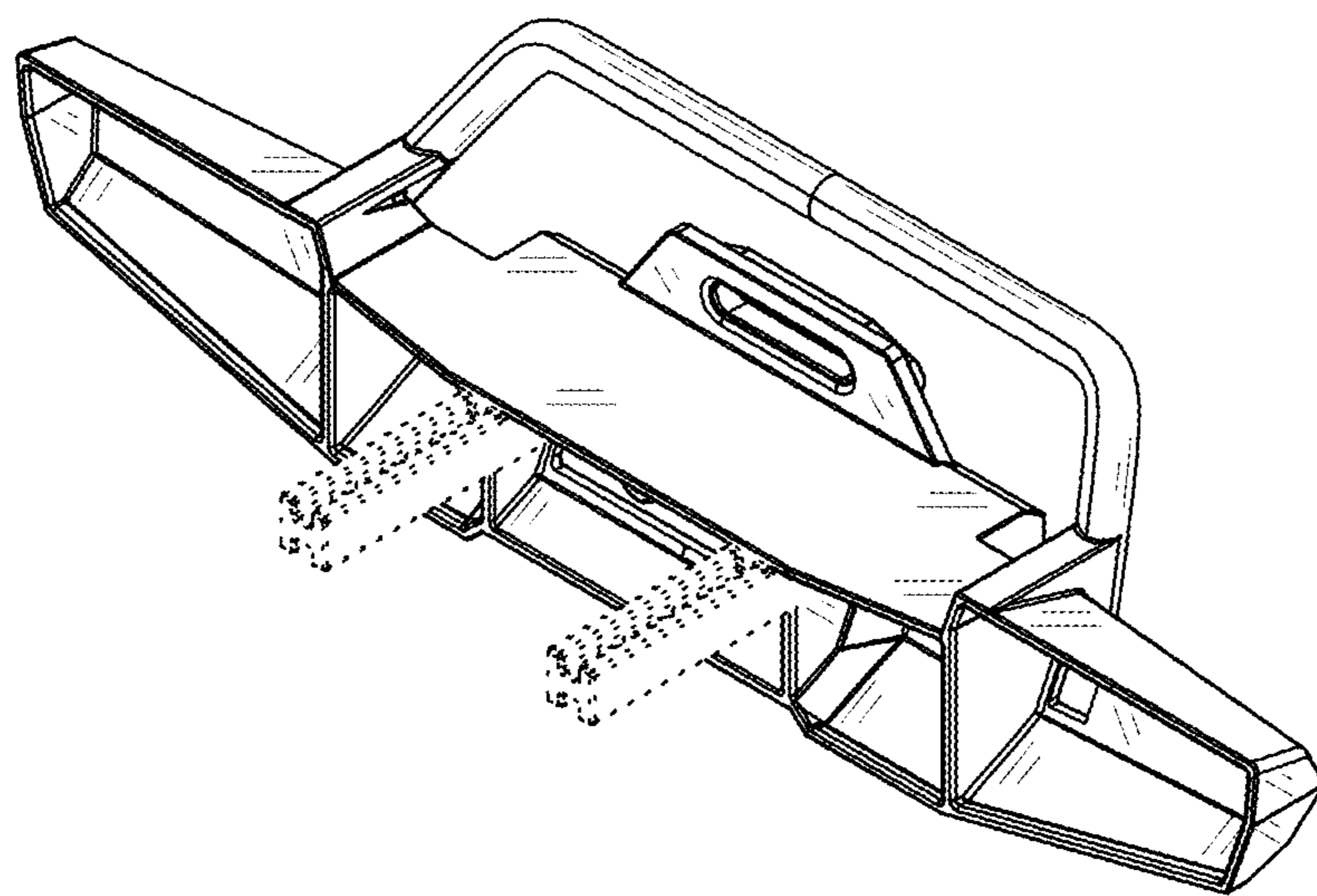


FIG. 2

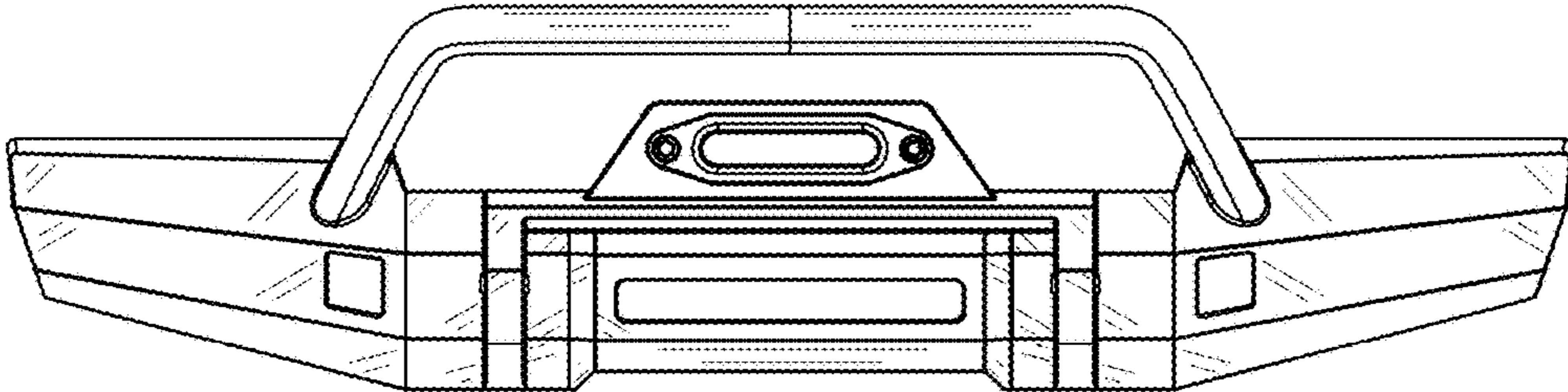


FIG. 3

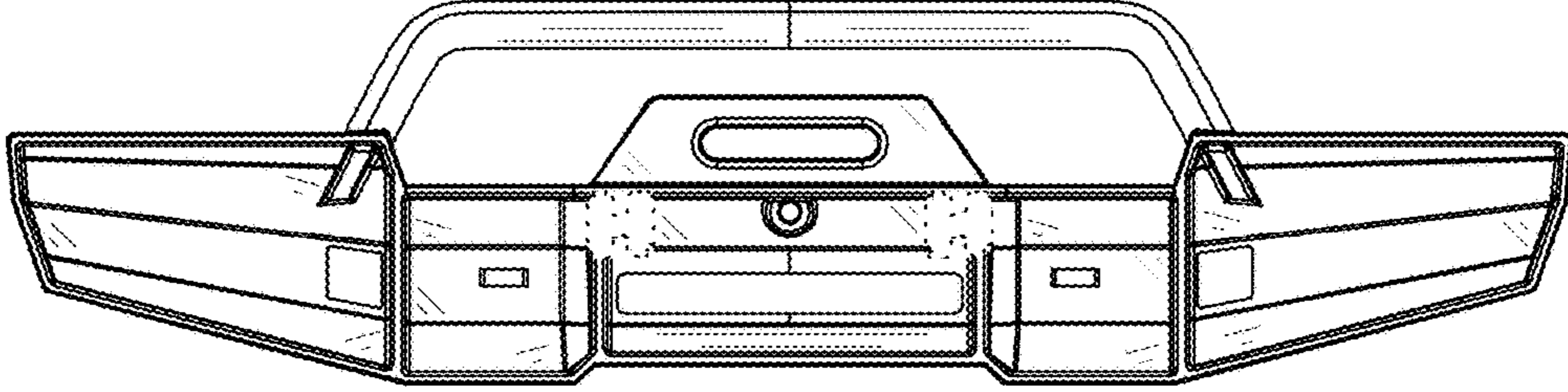


FIG. 4

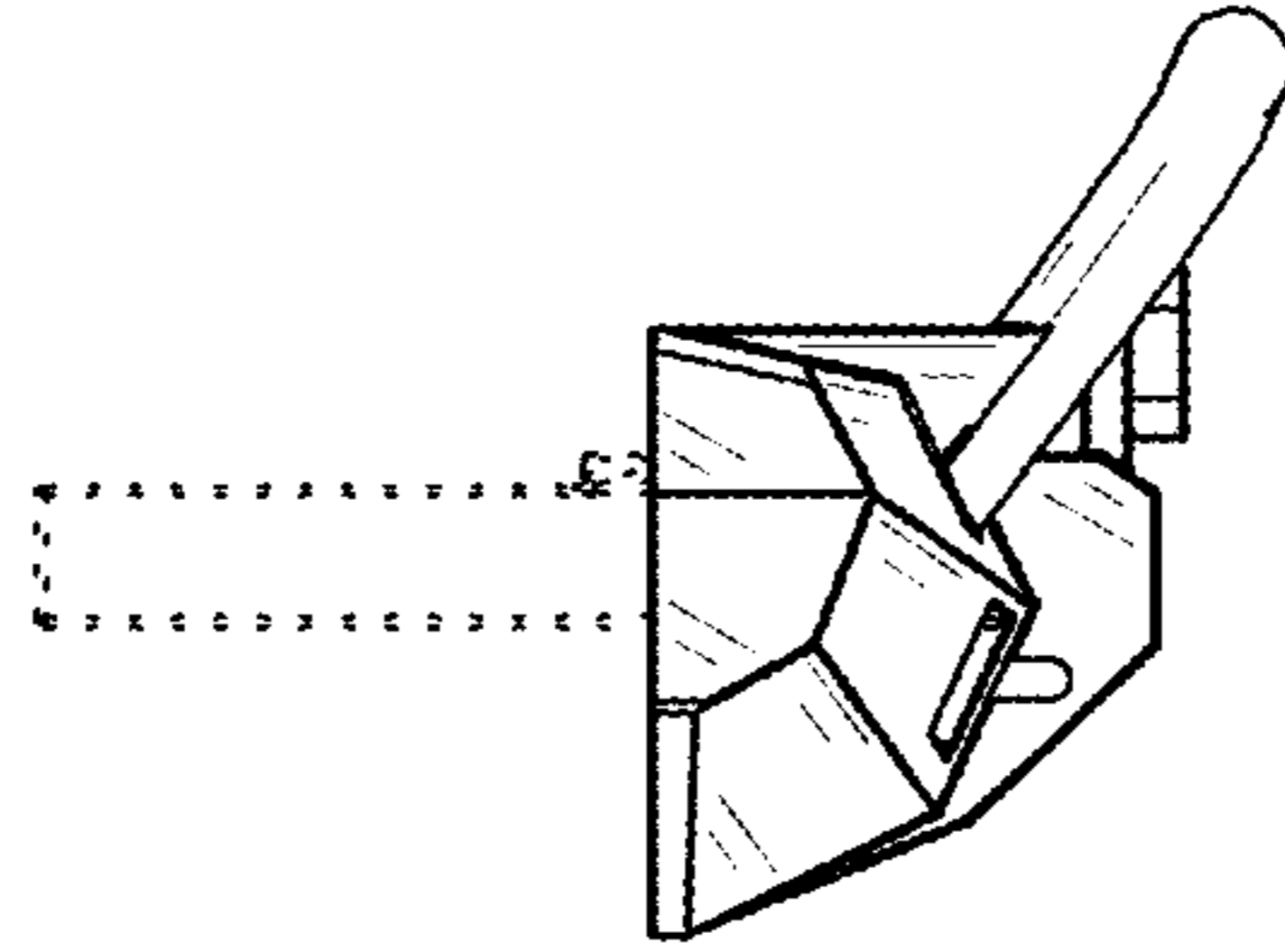


FIG. 5

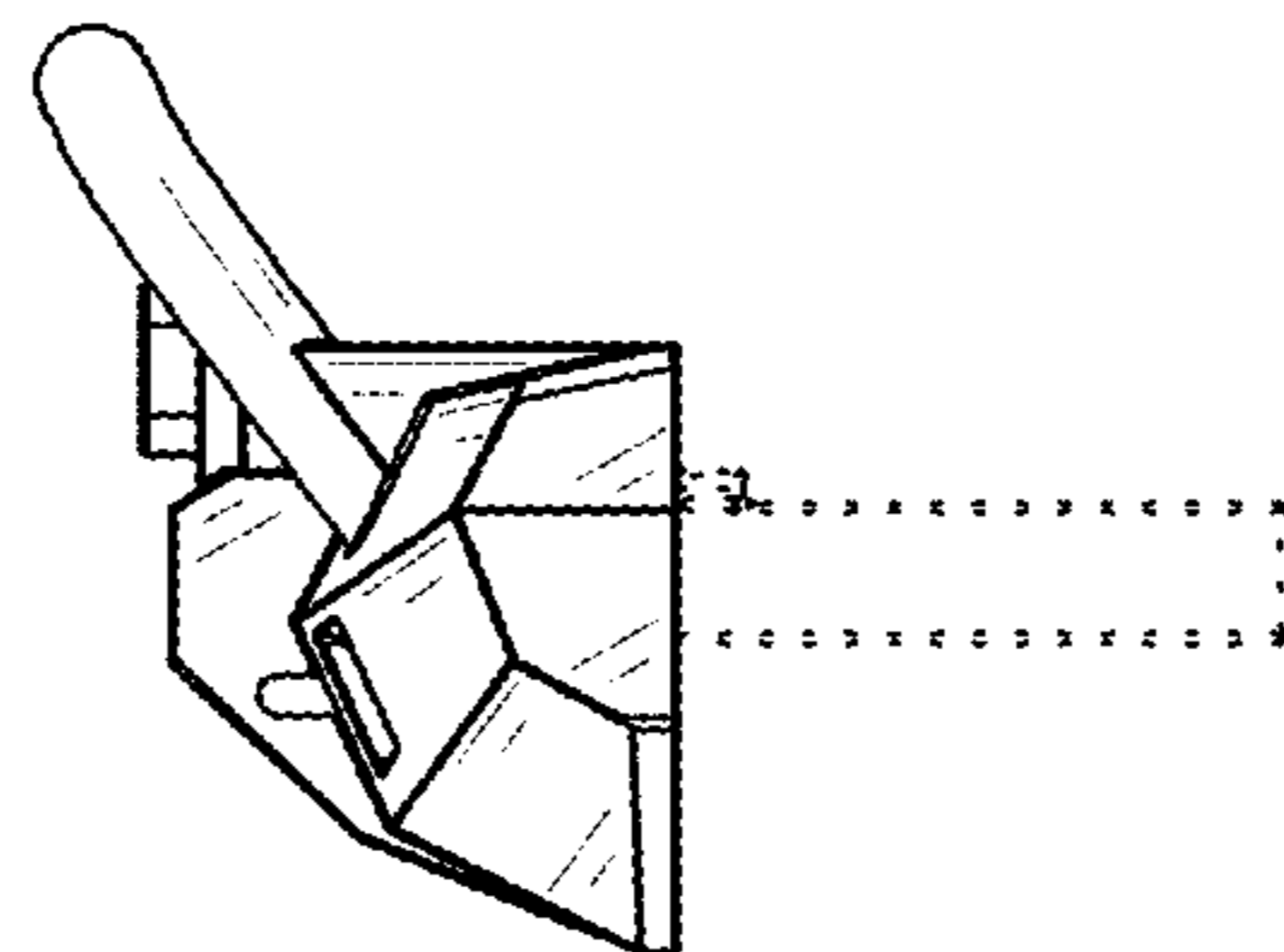


FIG. 6

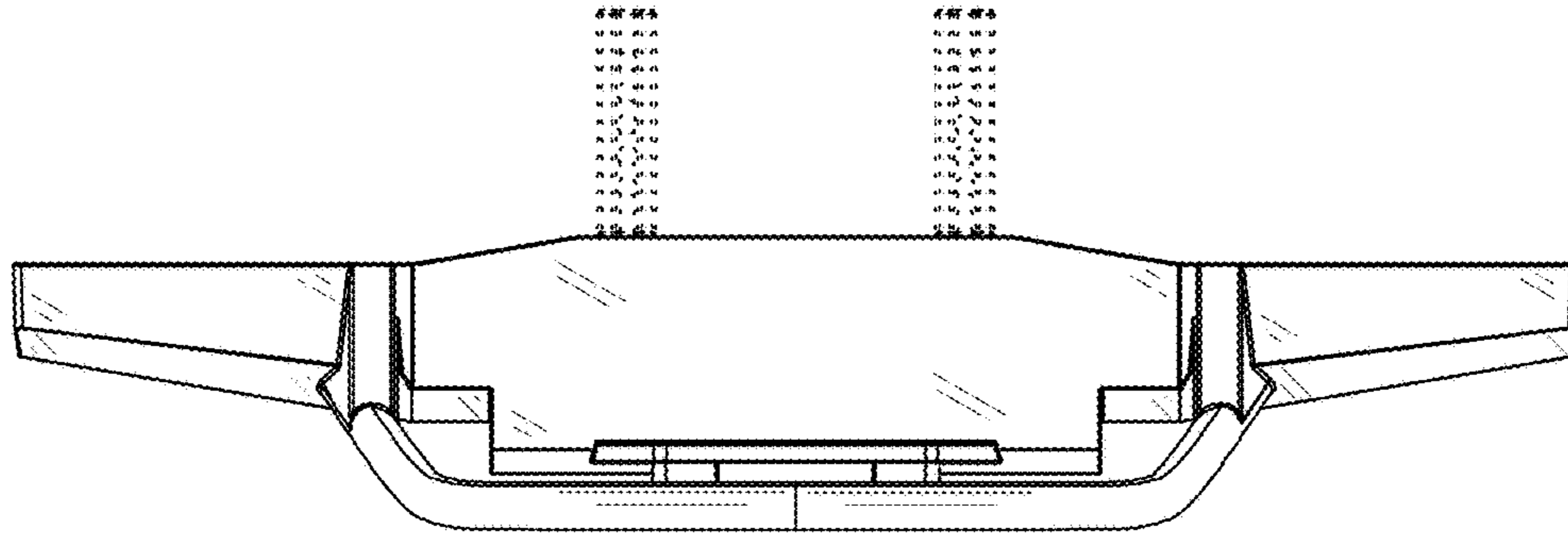


FIG. 7

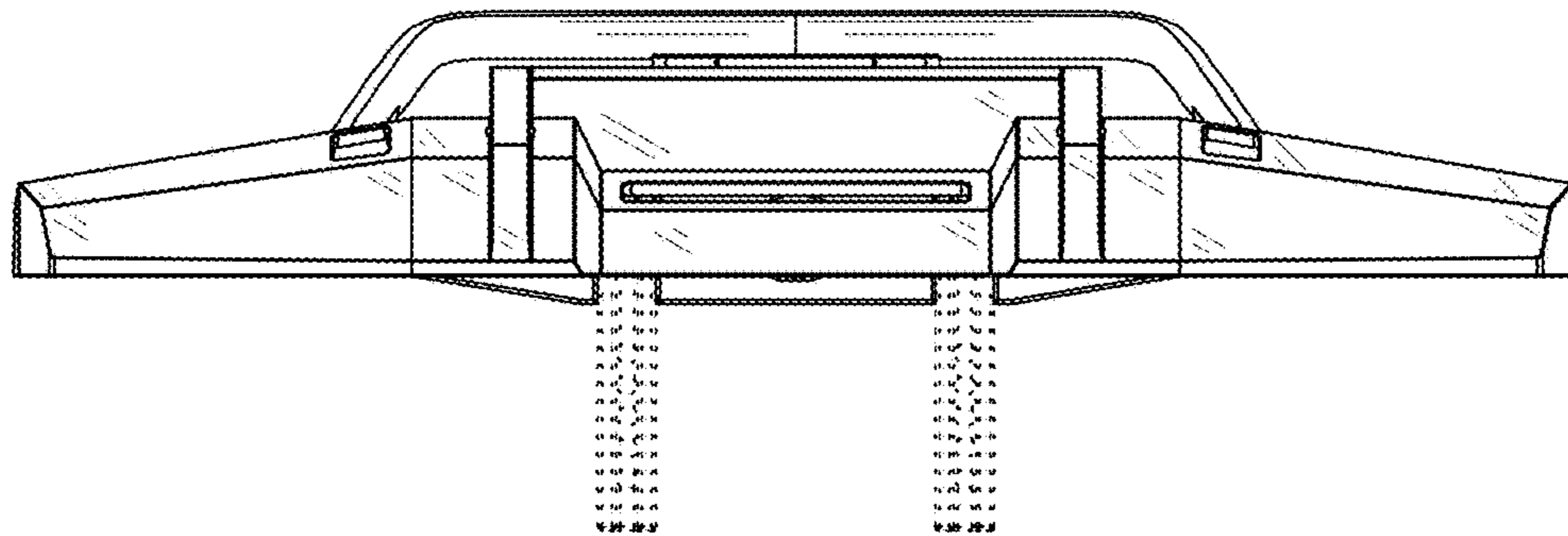


FIG. 8

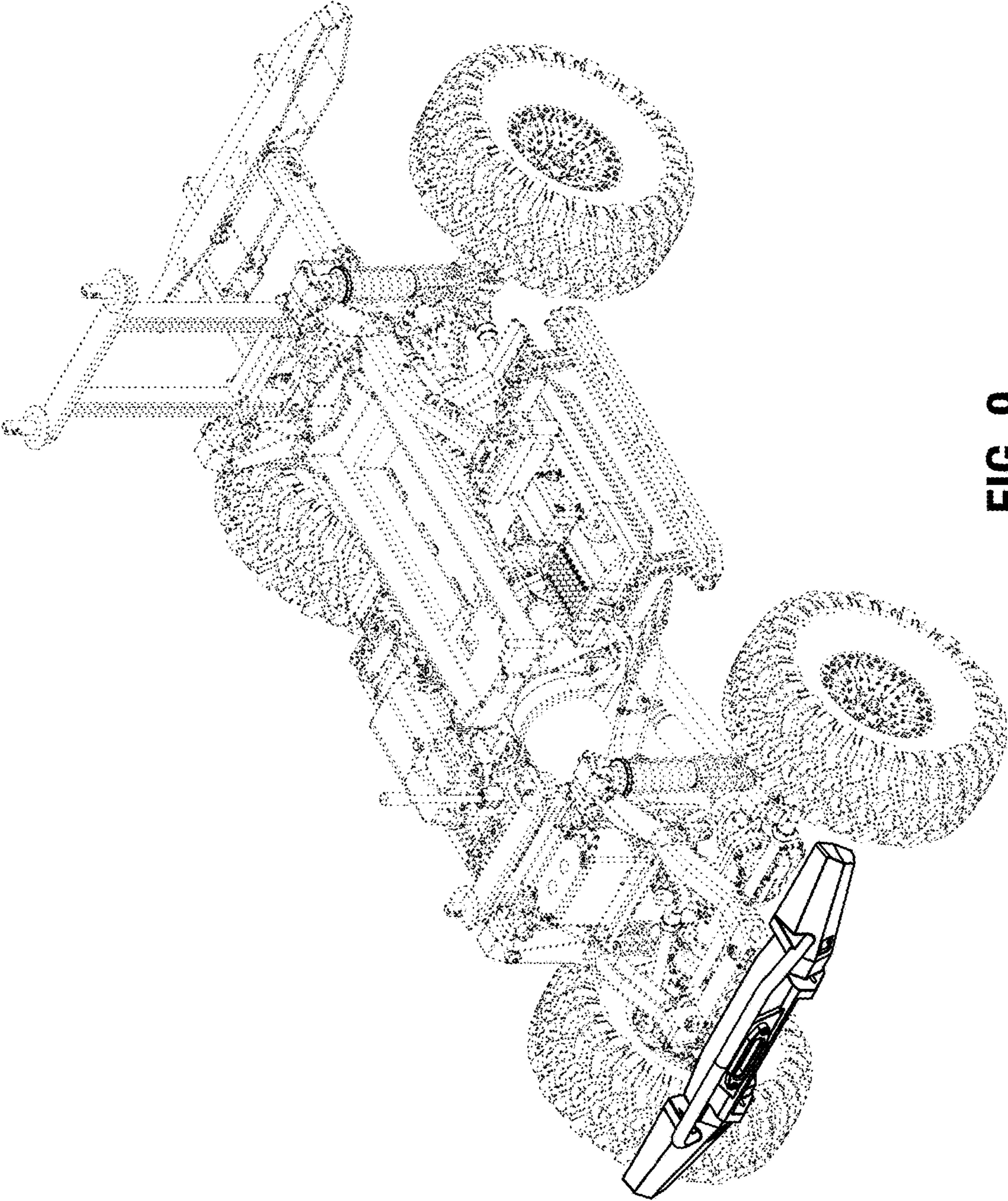


FIG. 9