



US00D827051S

(12) **United States Design Patent** (10) **Patent No.:** **US D827,051 S**  
**Flores** (45) **Date of Patent:** **\*\* Aug. 28, 2018**

(54) **TOY TRUCK**  
 (71) Applicant: **KIDS II, INC.**, Atlanta, GA (US)  
 (72) Inventor: **Milton Aaron Flores**, Cambridge, MA (US)

2,211,330 A 8/1940 Hochberg  
 2,270,553 A 1/1942 Potito  
 2,310,515 A 2/1943 Chester  
 D138,150 S 6/1944 Davidson  
 2,400,981 A 5/1946 Dishmaker  
 2,499,483 A 3/1950 Foy  
 2,519,248 A 8/1950 Hulbert

(Continued)

(73) Assignee: **KIDS II, INC.**, Atlanta, GA (US)

(\*\*) Term: **15 Years**

(21) Appl. No.: **29/608,635**

(22) Filed: **Jun. 23, 2017**

(51) **LOC (11) Cl.** ..... **21-01**

(52) **U.S. Cl.**

USPC ..... **D21/552**; D21/533; D21/548; D21/553

(58) **Field of Classification Search**

USPC ..... D12/86, 88, 90–92, 164, 173, 184–186,  
 D12/190, 196; D21/419, 421, 423,  
 D21/424–426, 433–435, 539, 541, 548,  
 D21/549, 550, 552–555, 559, 561;  
 446/456, 465; D6/534, 543  
 CPC .... A63H 17/26; A63H 17/262; A63H 17/264;  
 A63H 17/266; A63H 17/36; A63H 17/38;  
 A63H 29/00; A63H 29/22; A63H 29/24;  
 A63H 30/04

See application file for complete search history.

(56) **References Cited**

**U.S. PATENT DOCUMENTS**

180,196 A 7/1876 Butler  
 183,209 A 10/1876 Rich  
 449,146 A 3/1891 Watrous  
 693,064 A 2/1902 Proben et al.  
 1,077,340 A 11/1913 Graham  
 1,188,904 A 6/1916 Cosgriff  
 1,319,297 A 10/1919 Limacher  
 1,429,198 A 9/1922 Fawcett  
 1,457,360 A 6/1923 Gilbert  
 1,626,425 A 4/1927 Pelsue  
 2,006,230 A 6/1935 Dobbins  
 2,211,102 A 3/1939 Davis

**FOREIGN PATENT DOCUMENTS**

EM 000523626-0001 6/2006  
 EP 1870351 A1 12/2007  
 WO 2011057203 A2 5/2011

**OTHER PUBLICATIONS**

Go Grippers Steam Roller [online] found on Feb. 1, 2018 from URL  
[https://www.kidsii.com/brands/oball/10736-go-grippers-steam-roller.\\*](https://www.kidsii.com/brands/oball/10736-go-grippers-steam-roller.*)

(Continued)

*Primary Examiner* — Robin V Webster

*Assistant Examiner* — Keith J Wilson

(74) *Attorney, Agent, or Firm* — Gardner Groff  
Greenwald & Villanueva, PC

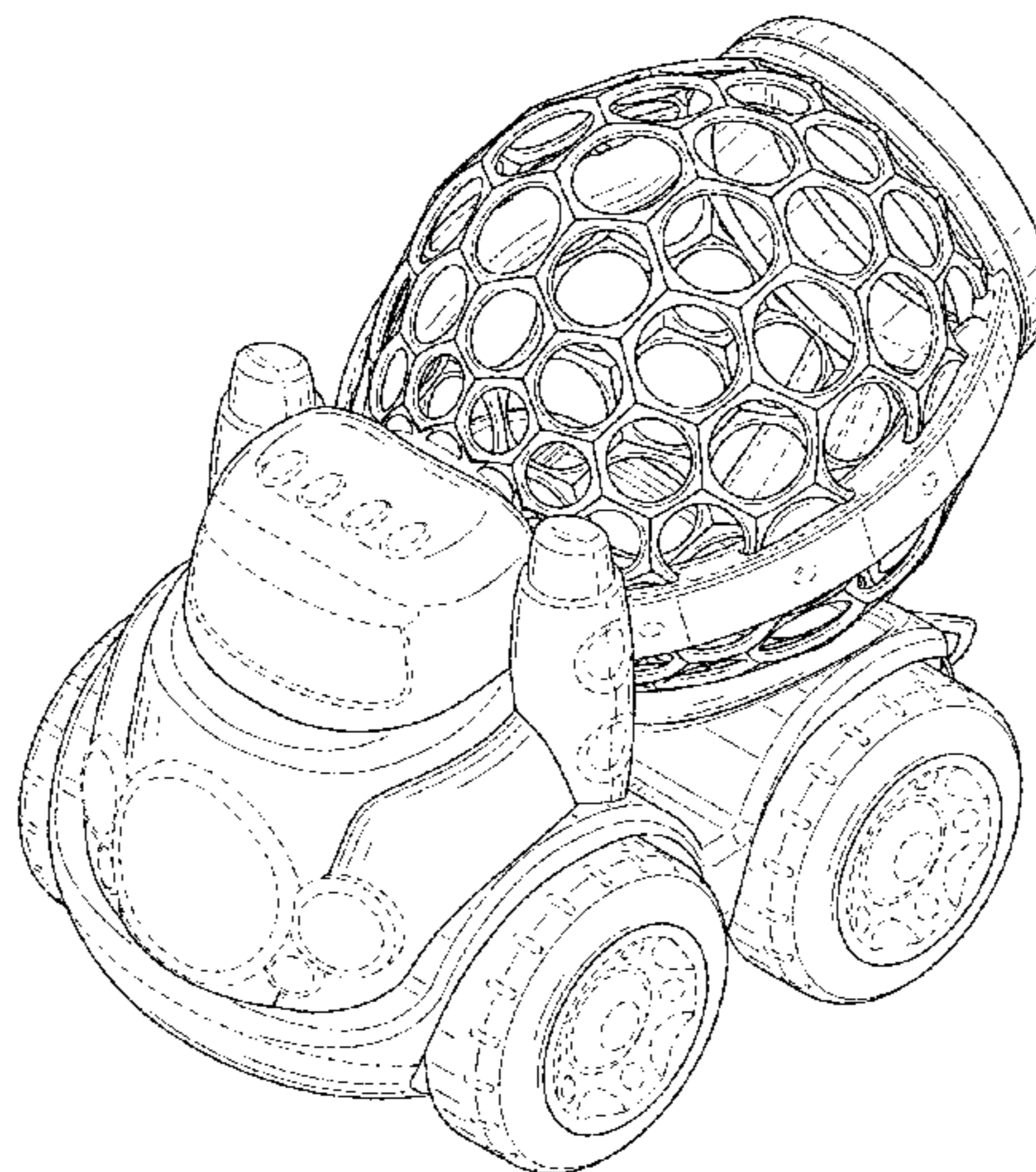
(57) **CLAIM**

The ornamental design for a toy truck, as shown and described.

**DESCRIPTION**

FIG. 1 is a top perspective view of a toy truck, showing my new design;  
 FIG. 2 is a front view of the toy truck of FIG. 1;  
 FIG. 3 is a rear view of the toy truck of FIG. 1;  
 FIG. 4 is a left side view of the toy truck of FIG. 1;  
 FIG. 5 is a top view of the toy truck of FIG. 1; and,  
 FIG. 6 is a bottom view of the toy truck of FIG. 1.  
 The broken lines shown in the drawings depict portions of the toy truck that form no part of the claimed design.

**1 Claim, 3 Drawing Sheets**



(56)

References Cited

U.S. PATENT DOCUMENTS

2,687,302 A	8/1954	Stiegler		5,766,701 A	6/1998	Lee	
2,717,473 A	9/1955	Moore		5,772,204 A	6/1998	Phelps	
2,742,771 A	4/1956	Negaard		D396,503 S *	7/1998	Leadbetter	D21/541
2,770,915 A	11/1956	Hicks		5,788,554 A	8/1998	Goodwin et al.	
2,937,475 A	5/1960	Crawford		5,853,313 A	12/1998	Zheng	
3,018,583 A	1/1962	Novotney		D408,471 S *	4/1999	Smolarczyk	D21/550
3,046,016 A	7/1962	Laws		D416,951 S *	11/1999	Wei	D21/553
3,154,882 A	11/1964	Bossiere		D416,952 S *	11/1999	Wei	D21/554
3,274,596 A	9/1966	Raabe		D425,142 S *	5/2000	Wei	D21/552
3,276,148 A	10/1966	Snelson		D428,076 S *	7/2000	Wise	D21/548
D211,809 S *	7/1968	Ganin	D21/548	D433,466 S *	11/2000	Tsai	D21/548
3,483,907 A	12/1969	Corridon		D437,010 S	1/2001	Meys	
3,531,009 A	9/1970	Saperstein		6,203,393 B1	3/2001	Flynn	
3,571,970 A	3/1971	Dunn		D445,845 S *	7/2001	Tse	D21/555
3,603,023 A	9/1971	McHugh		6,279,984 B1	8/2001	Reina, Jr.	
3,633,587 A	1/1972	Hunt		D448,817 S *	10/2001	Yamanouchi	D21/555
3,691,704 A	9/1972	Novak		D453,571 S	2/2002	Hall	
D226,013 S *	1/1973	Ogasawara	D21/553	6,418,673 B1	7/2002	Flowerday	
3,758,116 A	9/1973	Pieronek		6,488,556 B2	12/2002	Galomb	
3,768,202 A	10/1973	Wheelock		6,517,406 B1	2/2003	Cash	
3,777,392 A	12/1973	Span et al.		6,524,272 B1	2/2003	Berry, Sr.	
3,841,039 A	10/1974	Farnsworth, III		D477,441 S	7/2003	Willinger et al.	
3,866,348 A	2/1975	Roby et al.		6,609,944 B1	8/2003	Viola	
3,889,950 A	6/1975	Kasravi		D479,897 S	9/2003	Willinger	
3,913,879 A	10/1975	Wright, Jr.		D489,494 S	5/2004	Silvergate	
3,959,937 A	6/1976	Spunt		6,729,984 B2	5/2004	Silvergate	
4,088,319 A	5/1978	Clarke		6,769,588 B2	8/2004	Zheng	
4,128,909 A	12/1978	Kawabe et al.		D514,263 S	1/2006	Willinger	
D251,750 S *	5/1979	Shigenori	D21/553	7,152,750 B2	12/2006	Coffey	
D252,892 S *	9/1979	Shigenori	D21/554	7,169,120 B2	1/2007	Murdock et al.	
4,213,266 A	7/1980	Hyland et al.		D539,367 S	3/2007	Jones	
4,274,224 A	6/1981	Pugh et al.		D563,609 S	3/2008	Gick	
4,282,679 A	8/1981	Grubb et al.		7,520,793 B2	4/2009	Pillai et al.	
4,309,852 A	1/1982	Stolpin		D596,248 S	7/2009	Silvergate	
D263,325 S *	3/1982	Kanaoki	D21/555	7,600,488 B2	10/2009	Mann	
4,381,620 A	5/1983	Panzarella		D606,598 S *	12/2009	Lau	D21/539
4,403,441 A	9/1983	White et al.		7,662,012 B2	2/2010	Wright	
4,476,649 A	10/1984	Zaruba		D621,259 S	8/2010	Joy et al.	
4,514,995 A	5/1985	Curtis et al.		7,806,746 B2	10/2010	Walterscheid	
4,579,538 A	4/1986	Bass et al.		7,867,101 B2	1/2011	Chiang	
D284,493 S	7/1986	King		7,867,115 B2	1/2011	Zawitz	
4,610,637 A	9/1986	Ferguson		7,901,375 B2	3/2011	Dunn et al.	
D287,988 S	1/1987	Billinghurst		D635,685 S	4/2011	Hendricks et al.	
4,637,941 A	1/1987	Rochte		D636,949 S	4/2011	Axelrod et al.	
4,645,471 A	2/1987	Herring et al.		7,931,520 B2	4/2011	Bryce	
4,778,429 A	10/1988	Todokoro		D646,792 S	10/2011	Pope	
4,813,674 A	3/1989	Lorhpiapat		8,052,552 B2	11/2011	Silvergate	
4,836,787 A	6/1989	Boo		8,282,518 B2	10/2012	Silvergate et al.	
4,869,701 A	9/1989	Kawai et al.		8,348,712 B2	1/2013	De La Torre	
4,883,441 A	11/1989	Byer		8,371,899 B1	2/2013	Walterscheid	
D305,555 S *	1/1990	Spielberger	D21/554	8,506,345 B2	8/2013	Tigan et al.	
4,929,216 A	5/1990	Morris et al.		D693,270 S *	11/2013	Burki	D12/86
4,941,579 A	7/1990	Lee		8,579,133 B2	11/2013	Marcus et al.	
5,104,125 A	4/1992	Wilson		8,764,511 B2	7/2014	Verbera et al.	
5,174,580 A	12/1992	Pratt		8,851,956 B2	10/2014	Niu	
5,195,917 A	3/1993	Russell et al.		8,932,101 B2	1/2015	Silvergate et al.	
D336,317 S	6/1993	Thomson et al.		8,998,670 B1	4/2015	De Leon	
5,219,162 A	6/1993	Orbanes et al.		9,101,535 B2	8/2015	Silvergate et al.	
5,224,959 A	7/1993	Kasper		9,101,849 B2	8/2015	Bedolla et al.	
5,236,196 A	8/1993	Blankenburg et al.		9,161,888 B2	10/2015	Lamar	
D340,991 S	11/1993	Clements		9,271,552 B2	3/2016	Van Ostenbridge	
5,309,586 A	5/1994	Sies et al.		9,289,695 B2	3/2016	Sadri et al.	
D352,753 S	11/1994	Giannini et al.		D767,688 S	9/2016	Nelson	
5,364,348 A	11/1994	Berry, Sr.		D784,724 S *	4/2017	Bunch	D6/534
5,411,262 A	5/1995	Smith		D787,855 S *	5/2017	Bunch	D6/543
D359,327 S	6/1995	Gould		2002/0068502 A1 *	6/2002	Kownacki	A63H 17/00 446/465
5,449,174 A	9/1995	Criner		2004/0221885 A1	11/2004	Zheng	
5,451,436 A	9/1995	Shelleman		2005/0142980 A1	6/2005	Rivero	
D366,288 S	1/1996	Kino		2007/0077857 A1	4/2007	Wright	
D368,287 S *	3/1996	Walter	D21/435	2008/0032826 A1	2/2008	Mubarak et al.	
5,611,721 A	3/1997	Hoeting et al.		2009/0170643 A1	7/2009	Silvergate	
D379,206 S	5/1997	Meffert		2009/0170645 A1	7/2009	Silvergate	
D388,132 S *	12/1997	Maxwell	D21/424	2011/0256797 A1	10/2011	Chernick et al.	
D390,891 S *	2/1998	Xu	D21/553	2012/0171924 A1	7/2012	Karnick et al.	
5,759,083 A	6/1998	Polumbaum et al.		2013/0005215 A1	1/2013	Tell et al.	
				2015/0297955 A1	10/2015	Silvergate et al.	
				2015/0328515 A1	11/2015	Prendergast	

(56)

**References Cited**

U.S. PATENT DOCUMENTS

2016/0051862 A1 2/2016 Silverglate et al.  
2016/0310856 A1 10/2016 Mitchell et al.  
2017/0007937 A1 1/2017 Elson et al.

OTHER PUBLICATIONS

Odball Go Grippers Pink Vehicles [online found on Feb. 1, 2018 from URL [https://www.fatbraintoy.com/toy\\_companies/toysmith/oball\\_go\\_grippers\\_pink\\_vehicles.cfm](https://www.fatbraintoy.com/toy_companies/toysmith/oball_go_grippers_pink_vehicles.cfm).\*

Go Grippers Truck Assortment [online] found on Feb. 1, 2018 from URL <https://www.kidsii.com/brands/oball/11519-go-grippers-truck-assortment>.\*

Binxy (Paci-Sphere) Product Description Document; Sep. 13, 2009; 2 pgs.

Popko, Edward; Geodesics; Fig. No. 62 of "Bicycle Wheel" Dome; University of Detroit Press; 1 pg.; 1968.

Grab Ball Toy Product Description Document; 2 pgs; Jul. 28, 2001.

Hol-ee Roller Toy Product Description Document; 2 pgs; Jul. 28, 2001.

ISA Korean Intellectual Property Office, International Search Report of PCT/US2010/055855; dated Jul. 27, 2011; 9 pgs.

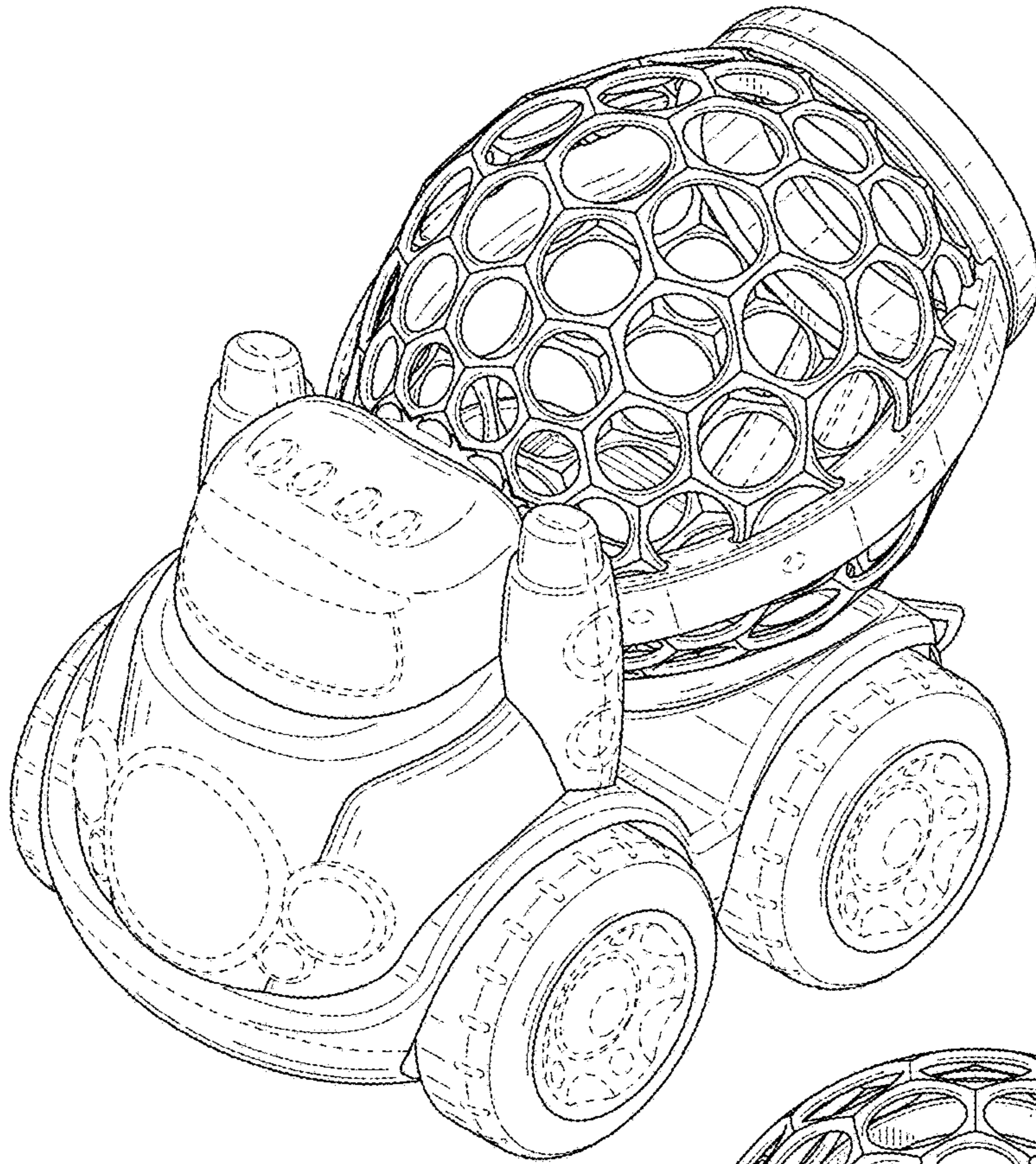
International Search Report for PCT/US2011/023339; 3 pgs; dated Oct. 27, 2011.

Mother's Cubbard Booth Listing; Sep. 13, 2009; 2 pgs.

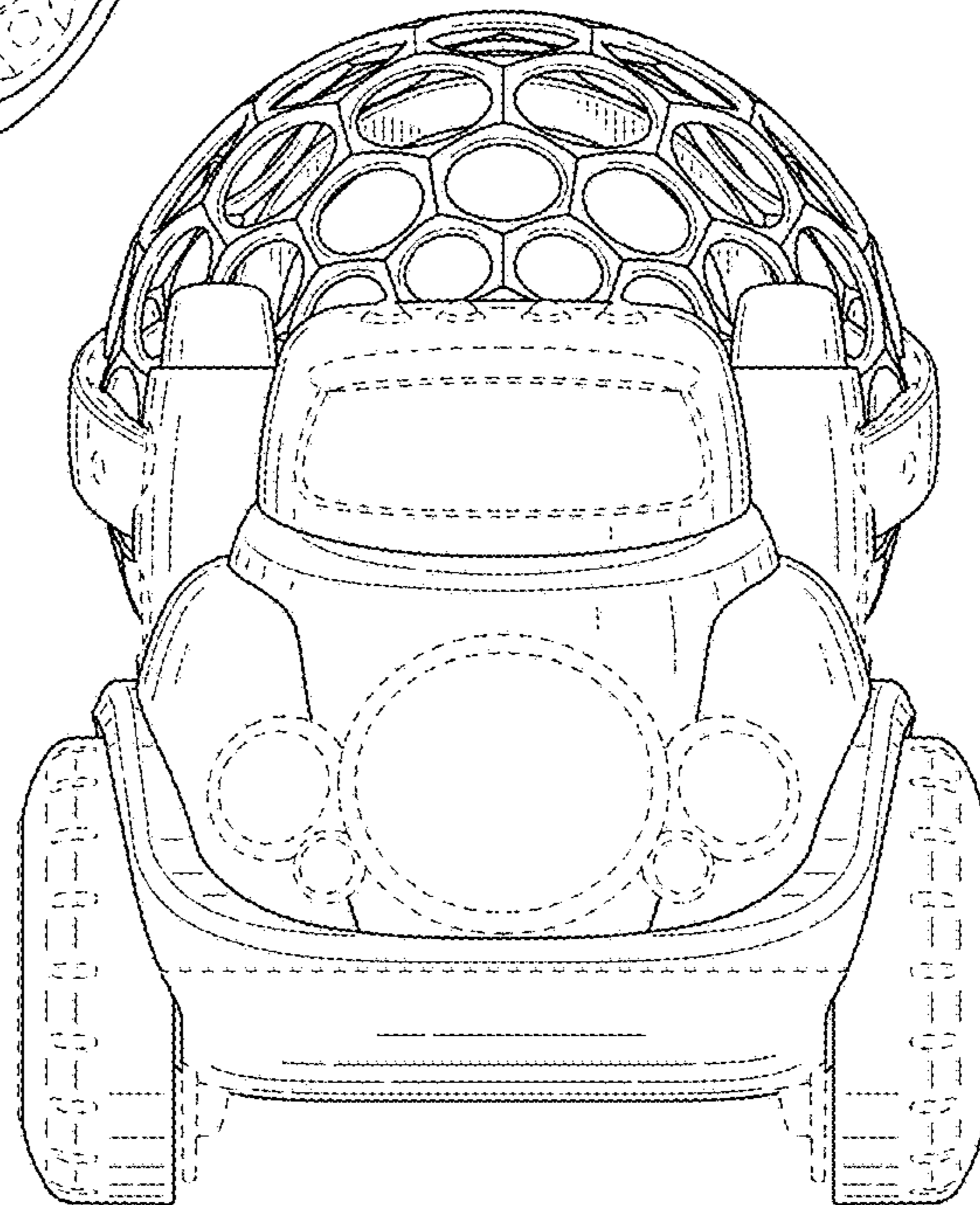
Mother's Cubbard Name Tag; Sep. 13, 2009; 2 pgs.

Sportime(R) Fall 2003 Catalog; p. 21; 2001.

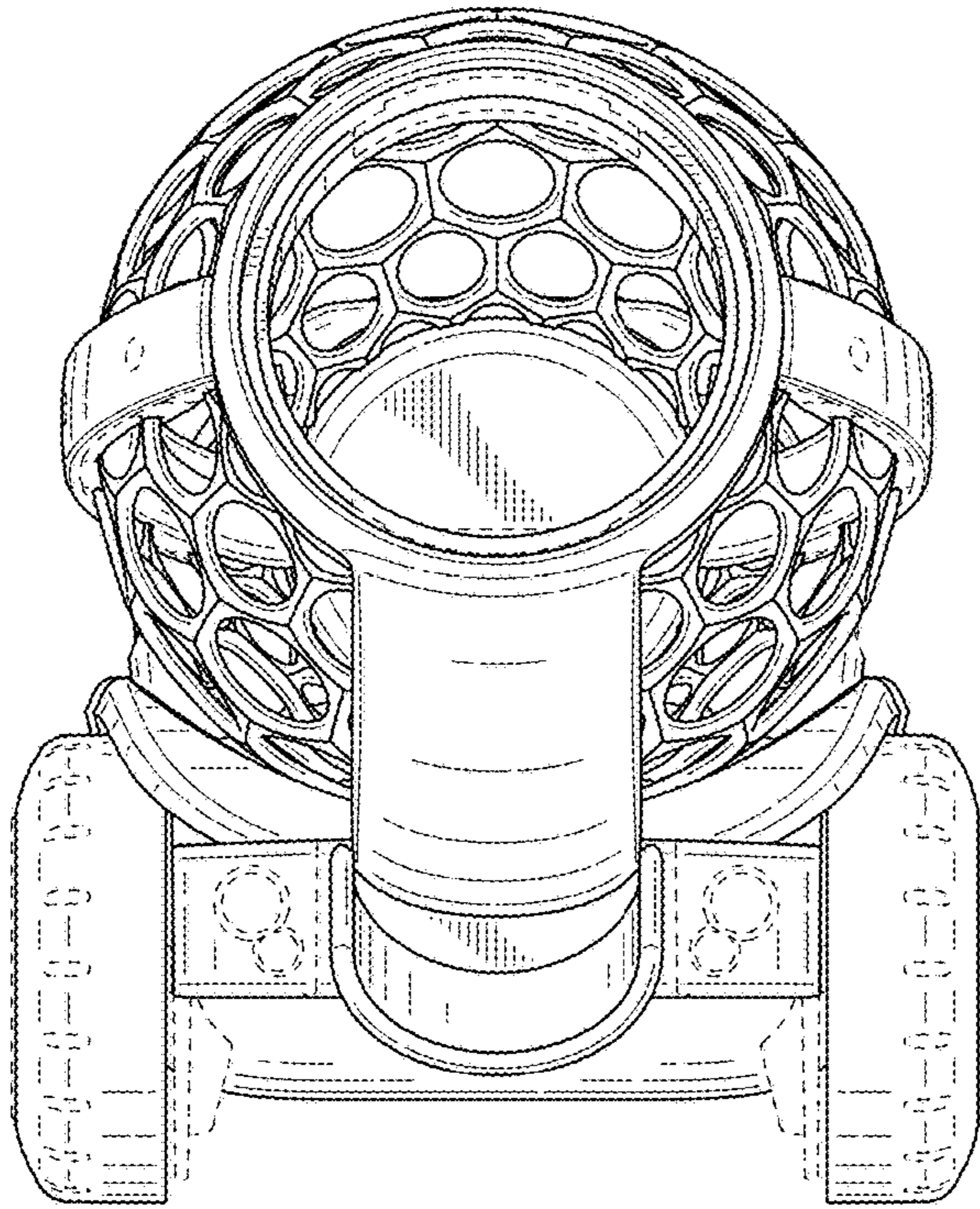
\* cited by examiner



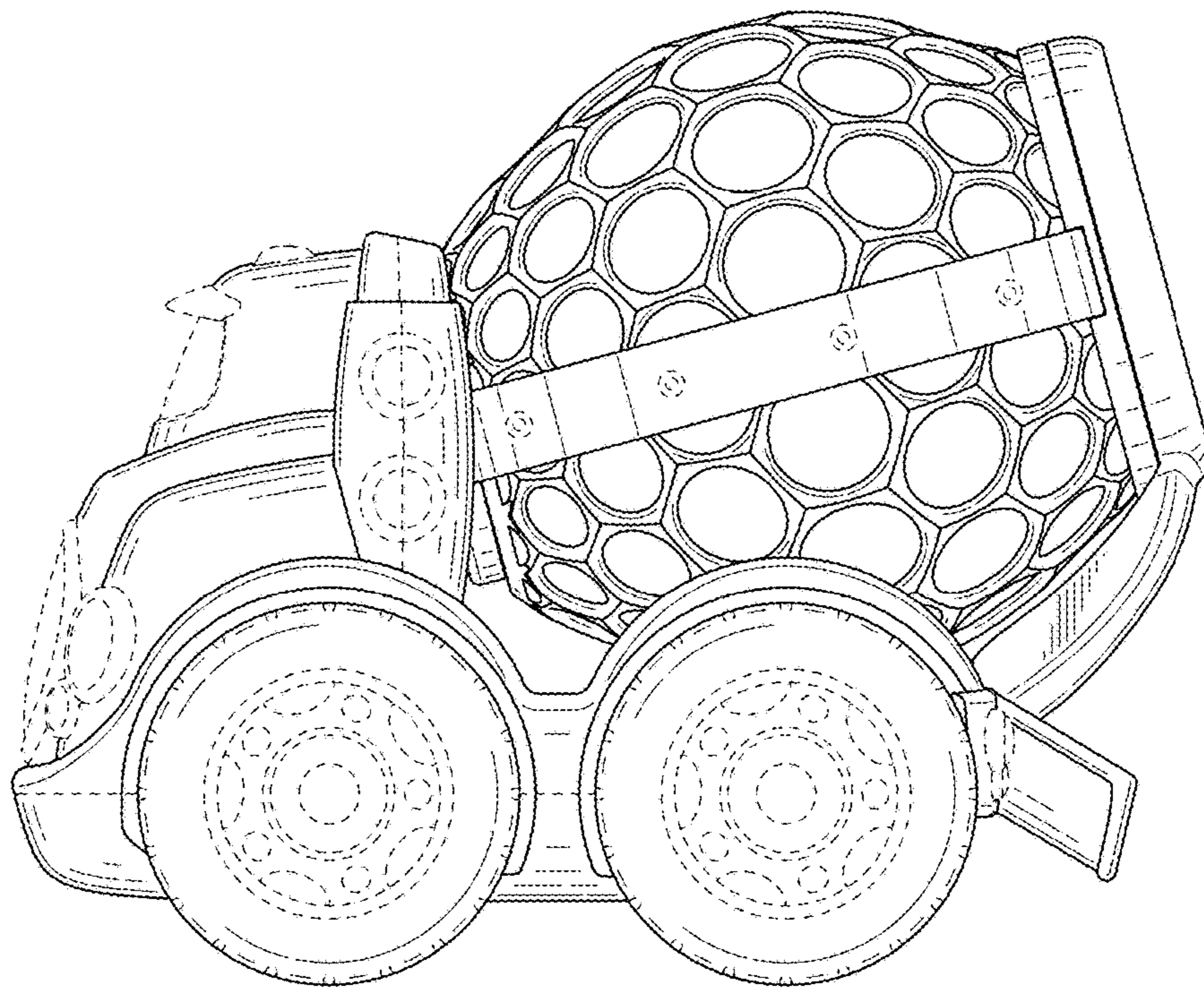
*Fig. 1*



*Fig. 2*



*FIG. 3*



*FIG. 4*

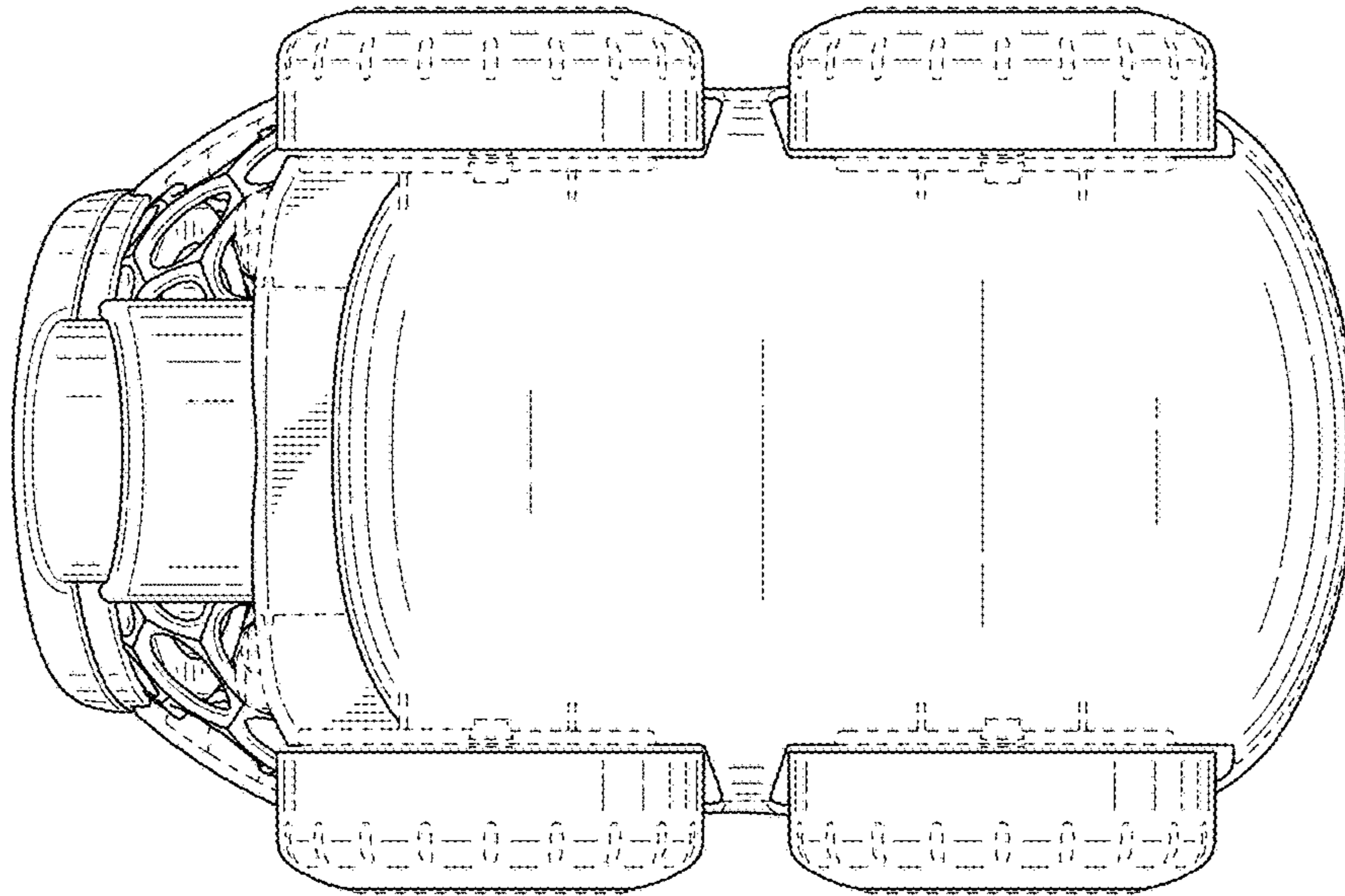


FIG. 0

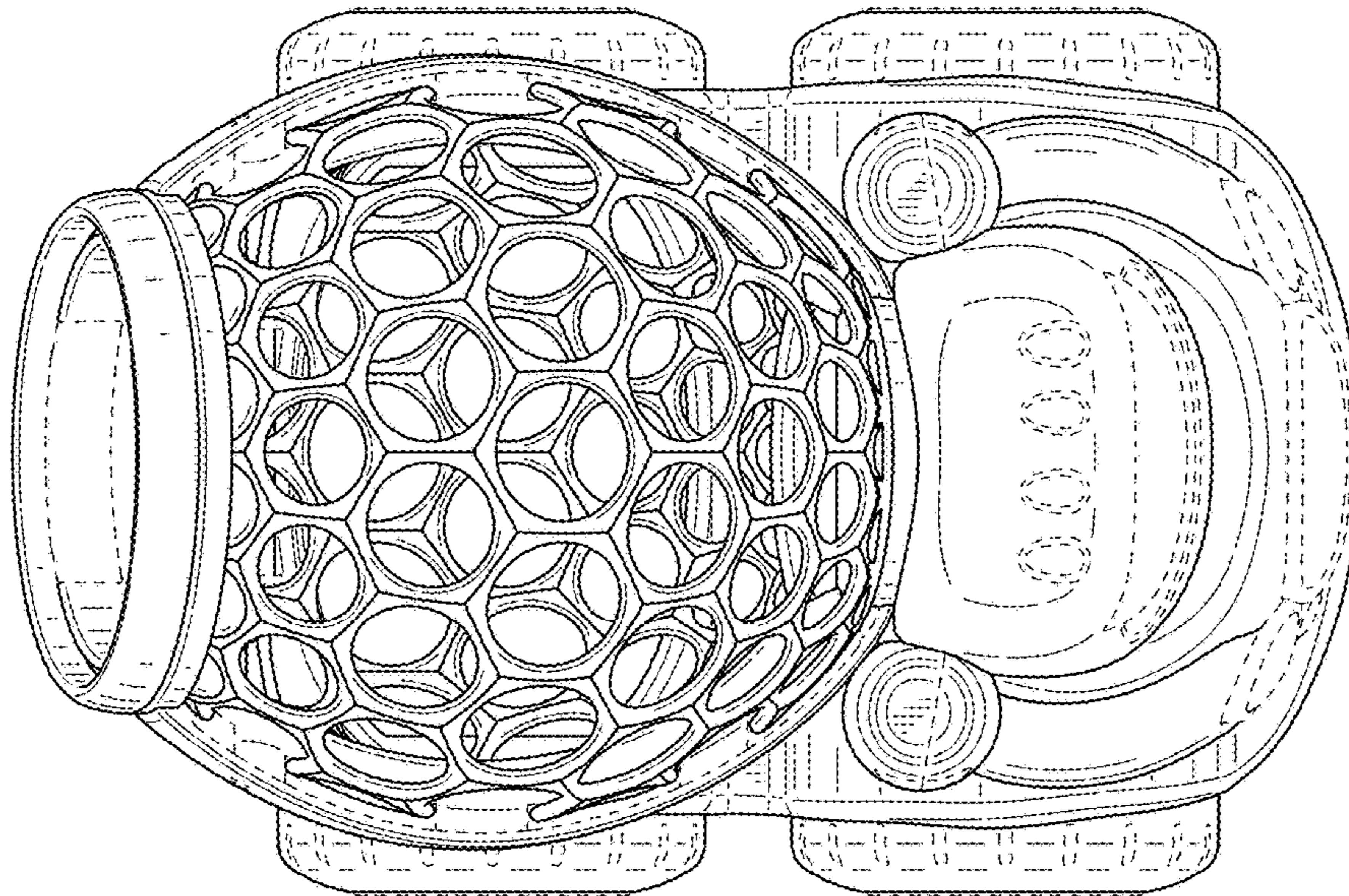


FIG. 5