



US00D827050S

(12) **United States Design Patent** (10) **Patent No.:** **US D827,050 S**
Ladislao (45) **Date of Patent:** **** Aug. 28, 2018**

(54) **MODEL VEHICLE**

(71) Applicant: **SPIN MASTER LTD.**, Toronto (CA)

(72) Inventor: **Mark Ladislao**, Hong Kong (CN)

(**) Term: **15 Years**

(21) Appl. No.: **29/603,879**

(22) Filed: **May 12, 2017**

(51) **LOC (11) Cl.** **21-01**

(52) **U.S. Cl.**
USPC **D21/542; D12/305**

(58) **Field of Classification Search**
USPC D21/542-547; D12/300-318
CPC .. B63B 1/16; B63B 1/24; B63B 1/242; B63B 1/244; B63B 1/246; B63B 1/248; B63B 1/26; B63B 1/28; B63B 1/322; B63B 1/10; B63B 1/12; B63B 1/14
See application file for complete search history.

D781,382 S * 3/2017 Etcheparre D21/542
2004/0139905 A1 * 7/2004 Chen B63B 1/246
114/274
2007/0010159 A1 1/2007 Butler et al.
2009/0008499 A1 1/2009 Shaw
2009/0294573 A1 12/2009 Wilson et al.
2011/0315806 A1 12/2011 Piasecki et al.
2015/0217837 A1 8/2015 Szydlowski et al.
2016/0167470 A1 6/2016 Seydoux et al.
2016/0176514 A1 6/2016 Lavagen et al.

FOREIGN PATENT DOCUMENTS

WO 02/060550 A1 8/2002

* cited by examiner

Primary Examiner — Cynthia M. Chin
(74) *Attorney, Agent, or Firm* — Millman IP Inc.

(57) **CLAIM**

The ornamental design for a model vehicle, as shown and described.

(56) **References Cited**

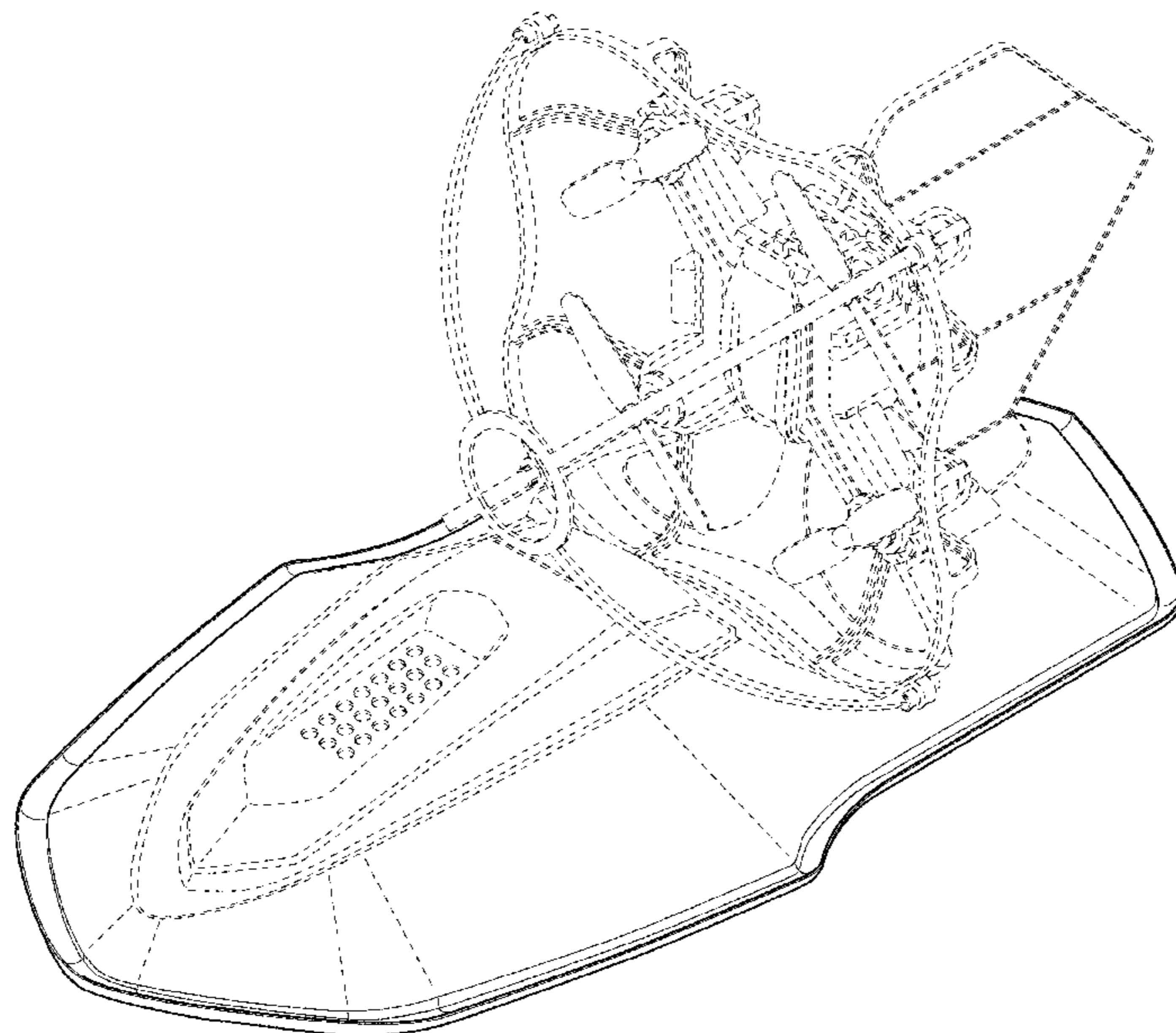
U.S. PATENT DOCUMENTS

D212,566 S * 10/1968 Maloof 446/307
D219,077 S * 10/1970 Voyce D12/305
3,765,356 A * 10/1973 Cook B63B 1/24
114/280
4,080,922 A 3/1978 Brubaker
D313,584 S * 1/1991 Linebaugh D12/305
D345,542 S * 3/1994 Duncan D12/300
5,727,495 A 3/1998 Reslein
6,158,540 A 12/2000 Rice et al.
D451,560 S * 12/2001 Tilbor D21/542
D544,927 S * 6/2007 Sanger, II D21/542
D591,364 S * 4/2009 Nagaoka D21/542
D646,198 S * 10/2011 Desberg D12/305
8,657,053 B2 2/2014 Novikov-Kopp
9,045,226 B2 6/2015 Piasecki et al.

DESCRIPTION

FIG. 1 is a perspective view from above, to the front and to one side of the new design for a model vehicle;
FIG. 2 is a perspective view from above, to the rear and to one side thereof;
FIG. 3 is a top view thereof;
FIG. 4 is a left side view thereof;
FIG. 5 is a right side view thereof;
FIG. 6 is a front view thereof; and,
FIG. 7 is a rear view thereof.
In the drawings, the regions containing broken lines together with unshaded surfaces depict portions of the model vehicle that form no part of the claimed design.

1 Claim, 7 Drawing Sheets



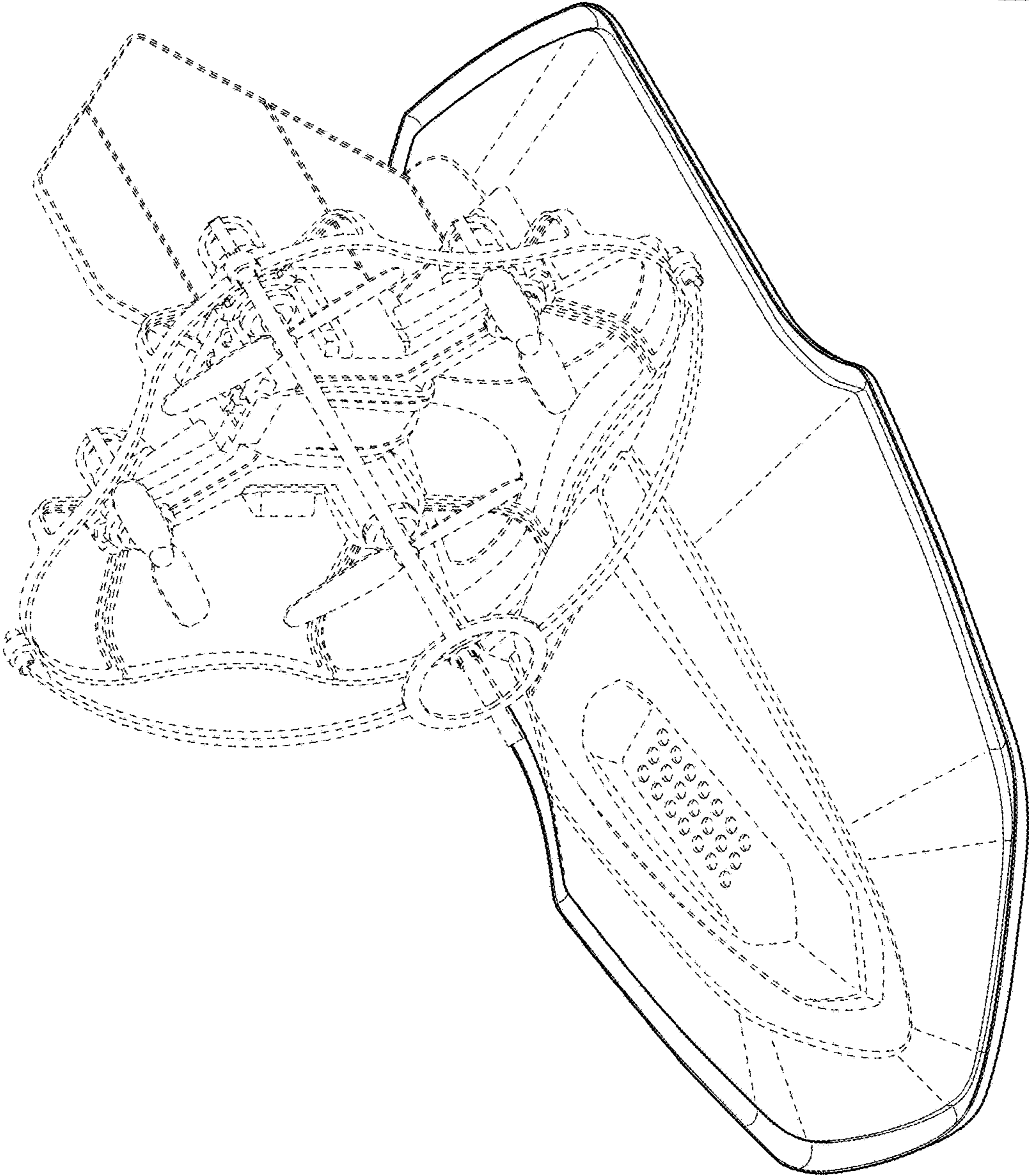
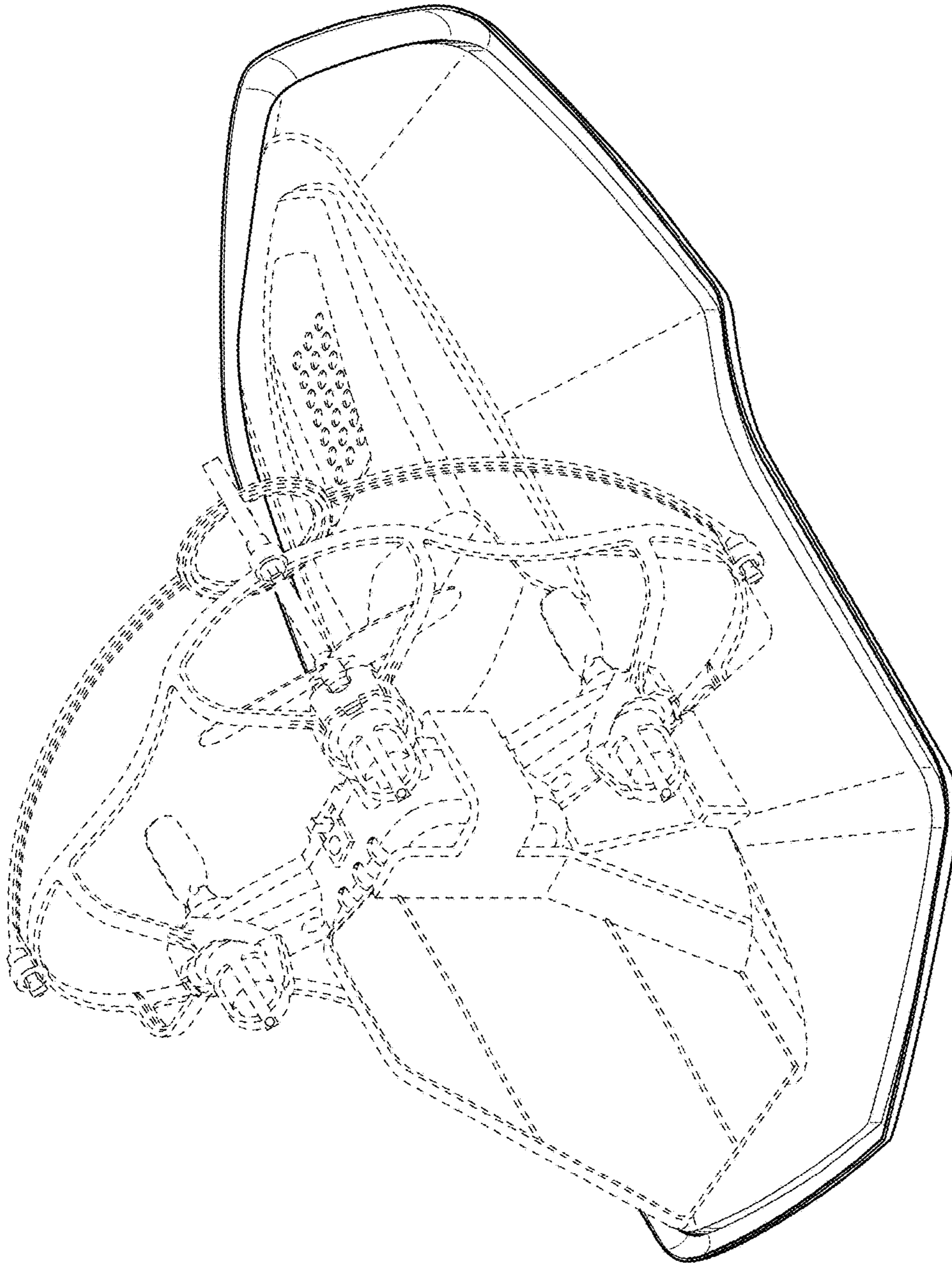


FIG. 1

FIG. 2



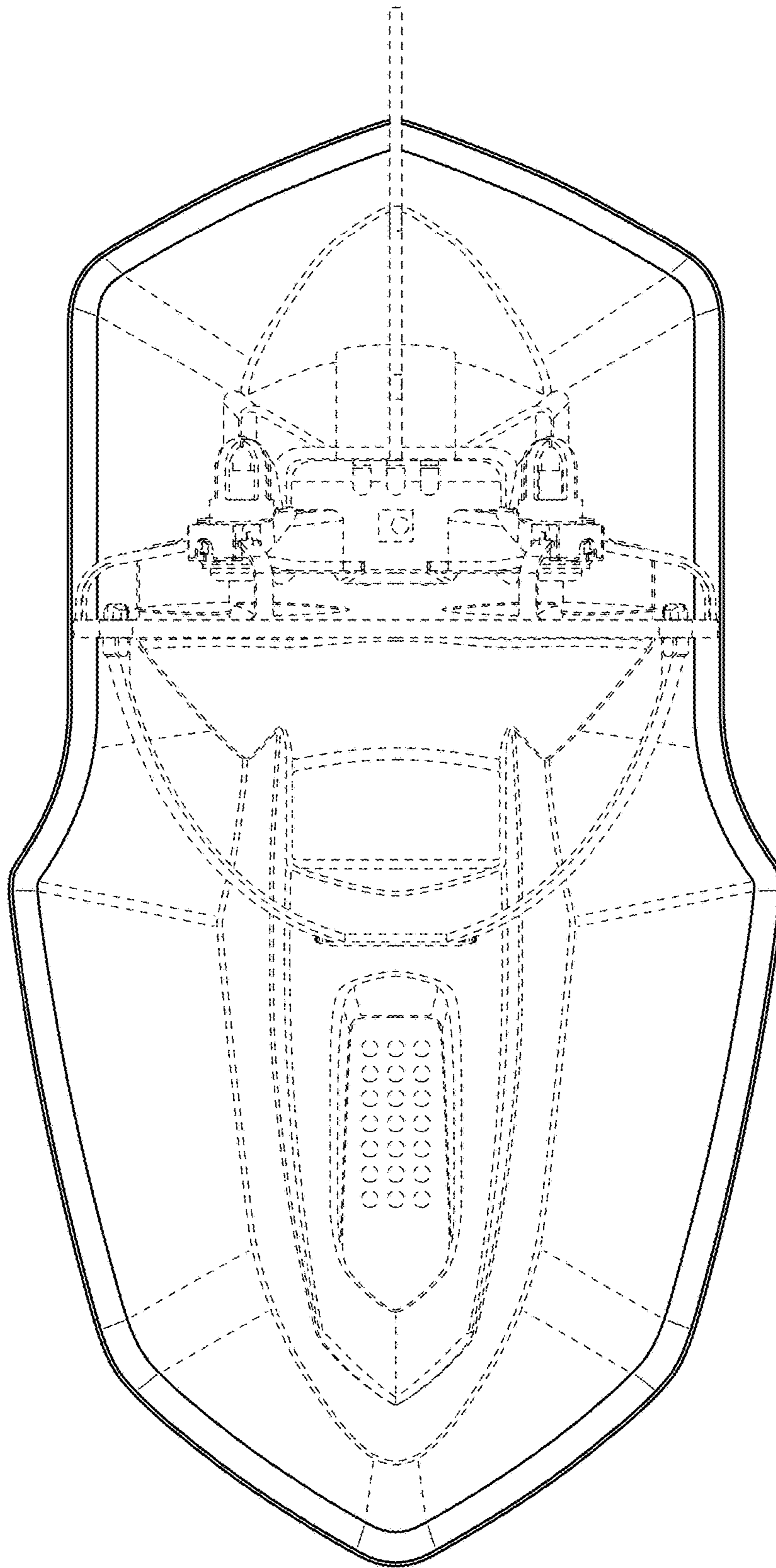


FIG. 3

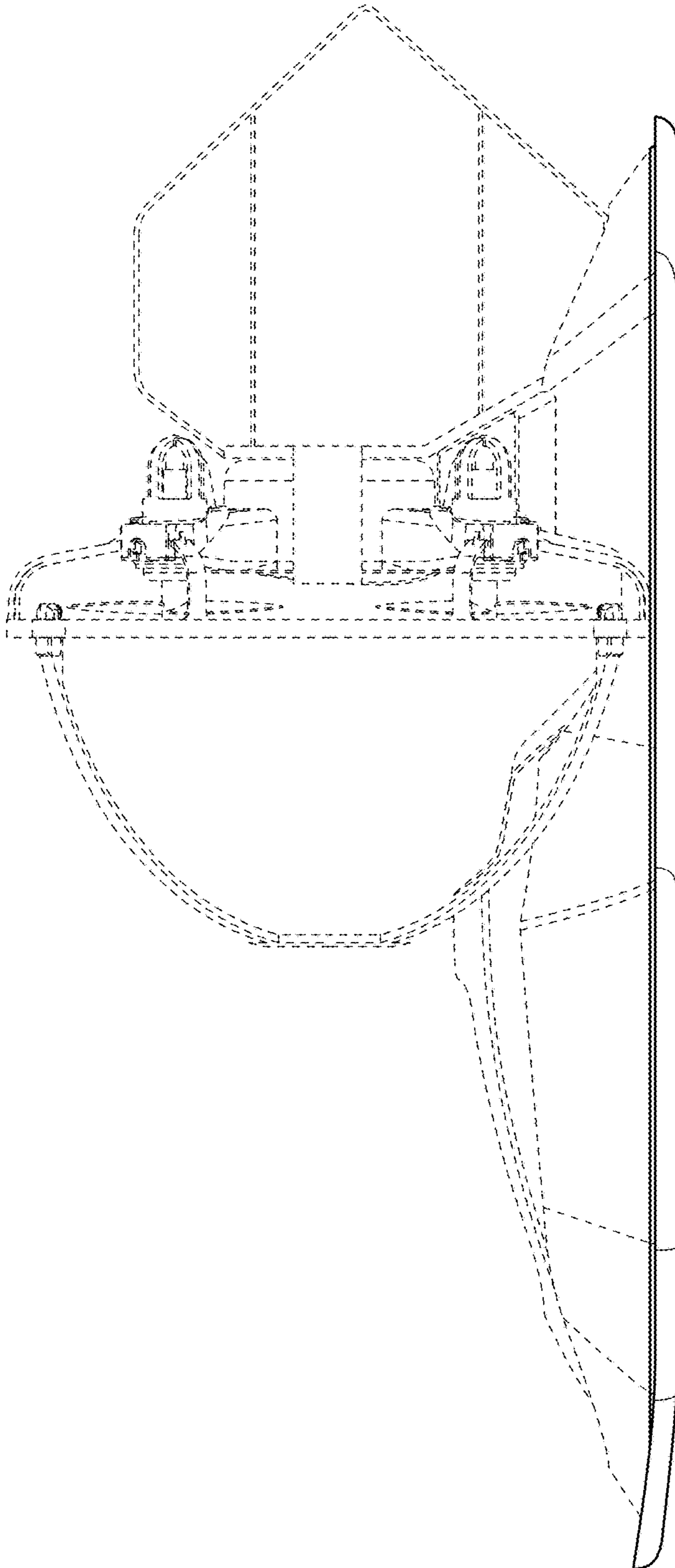


FIG. 4

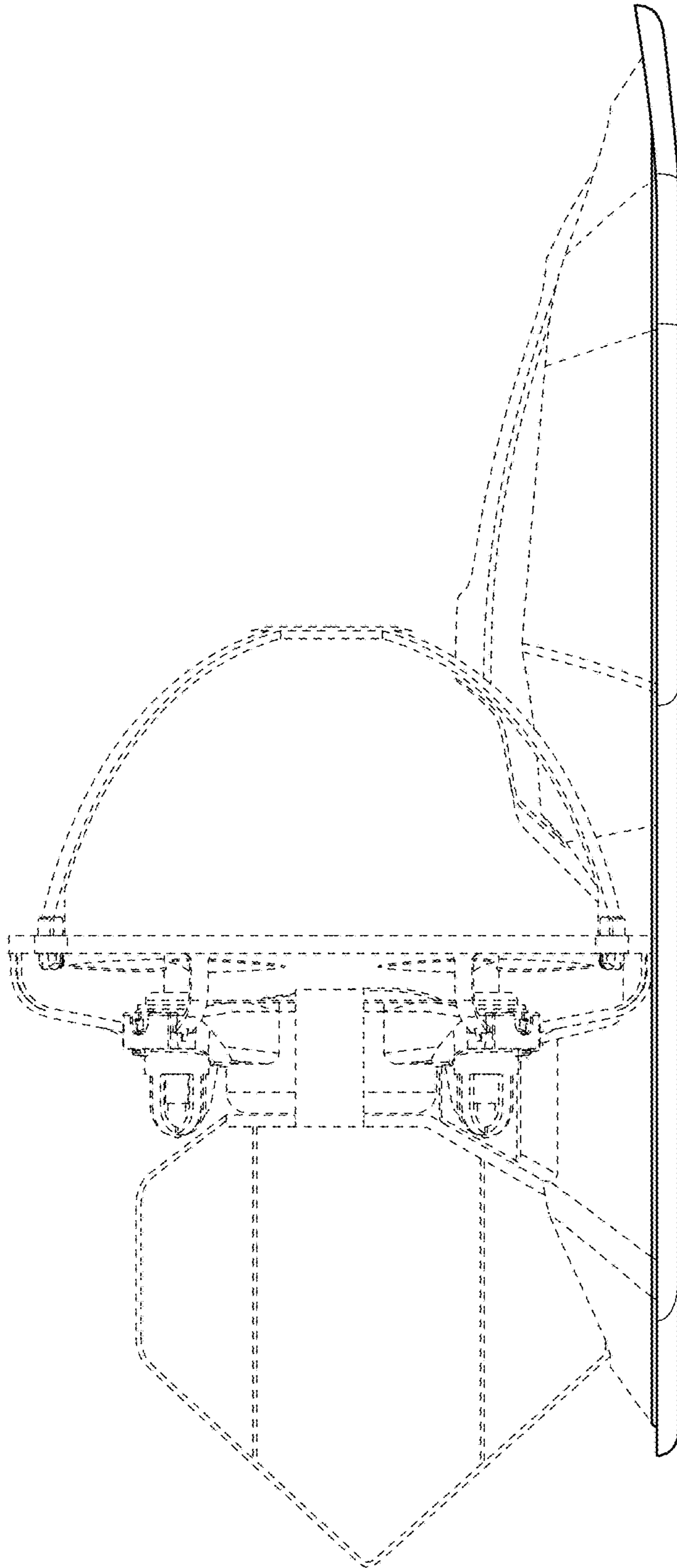


FIG. 5

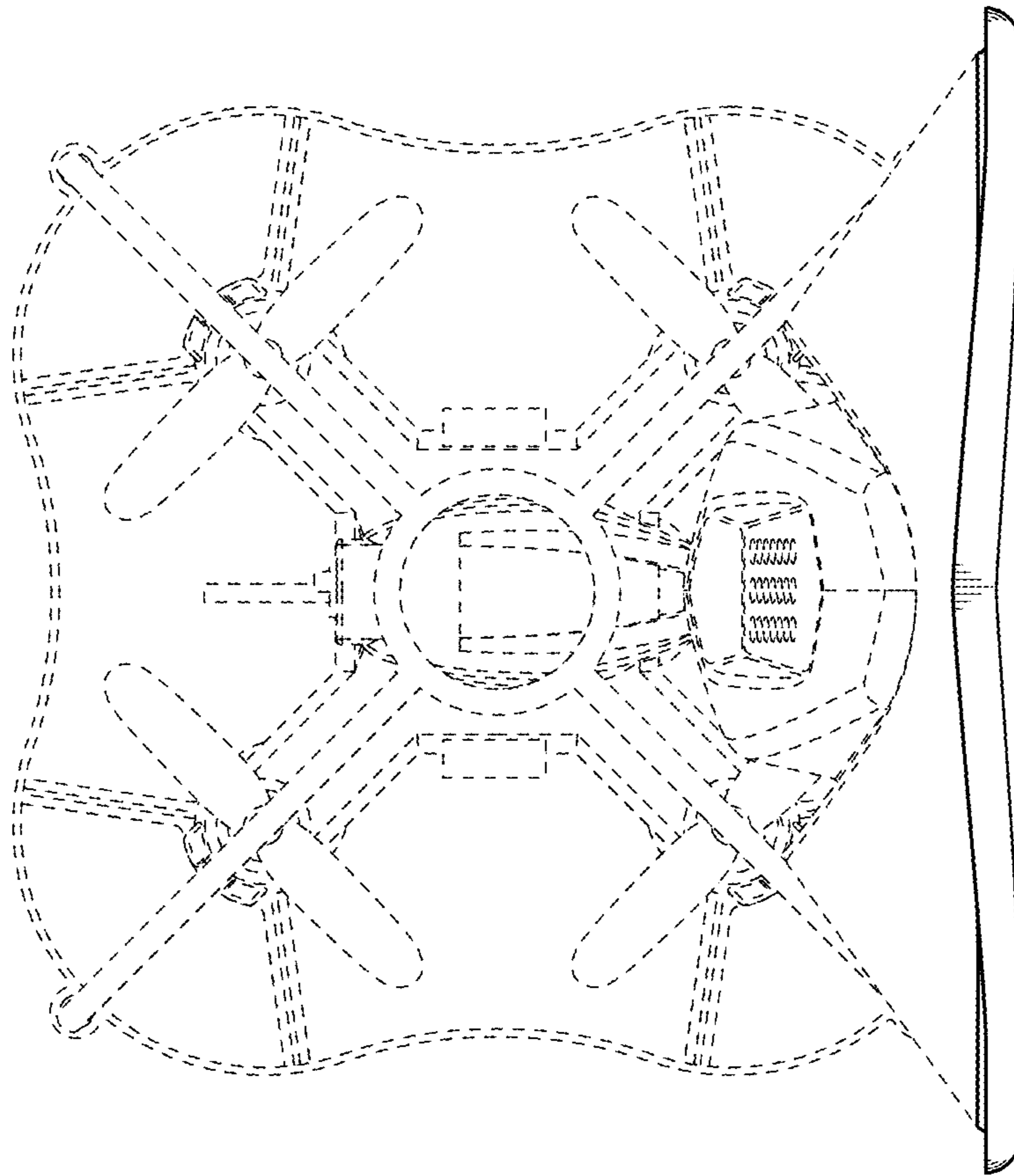


FIG. 6

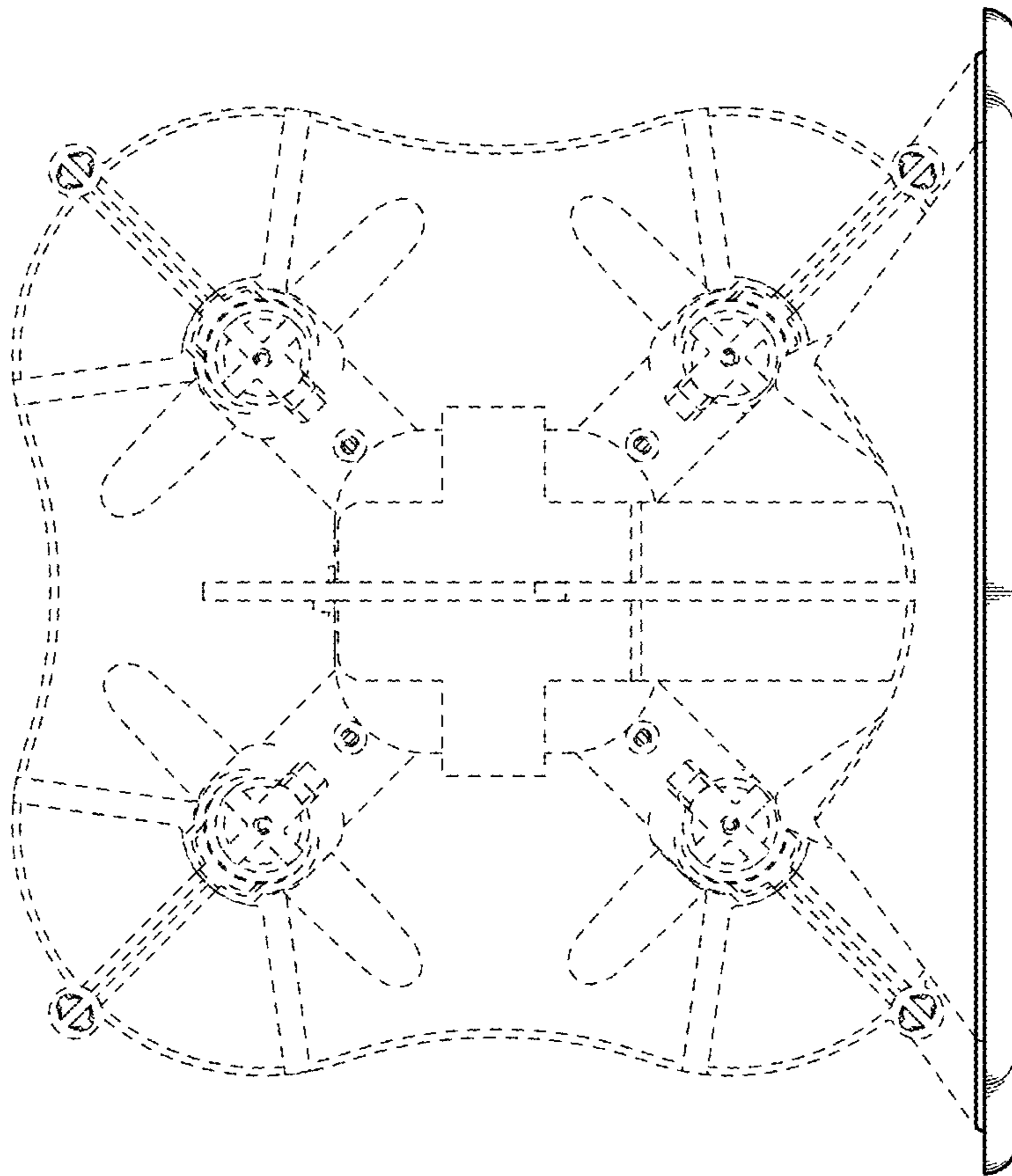


FIG. 7