



US00D827049S

(12) **United States Design Patent** (10) **Patent No.:** **US D827,049 S**  
**Flores** (45) **Date of Patent:** **\*\* Aug. 28, 2018**

(54) **CHILDREN'S TOY**  
(71) Applicant: **KIDS II, INC.**, Atlanta, GA (US)  
(72) Inventor: **Milton Aaron Flores**, Cambridge, MA (US)  
(73) Assignee: **KIDS II, INC.**, Atlanta, GA (US)

D138,150 S 6/1944 Davidson  
2,400,981 A 5/1946 Dishmaker  
2,499,483 A 3/1950 Foy  
2,519,248 A 8/1950 Hulbert  
2,687,302 A 8/1954 Stiegler  
2,717,473 A 9/1955 Moore  
2,742,771 A 4/1956 Negaard  
(Continued)

(\*\*) Term: **15 Years**

**FOREIGN PATENT DOCUMENTS**

(21) Appl. No.: **29/607,643**

EM 000523626-0001 6/2006  
EP 1870351 A1 12/2007  
WO 2011057203 A2 5/2011

(22) Filed: **Jun. 15, 2017**

**OTHER PUBLICATIONS**

(51) **LOC (11) Cl.** ..... **21-01**

(52) **U.S. Cl.**  
USPC ..... **D21/537**

Binx (Paci-Sphere) Product Description Document; Sep. 13, 2009;  
2 pgs.

(58) **Field of Classification Search**  
USPC ..... D21/419, 427, 431, 433, 434, 533, 537,  
D21/539, 548, 552-561, 579-581  
CPC ..... A63H 17/00; A63H 17/05; A63H 17/055;  
A63H 17/06; A63H 17/08; A63H 17/12;  
A63H 33/003

(Continued)

See application file for complete search history.

*Primary Examiner* — Cynthia M. Chin  
(74) *Attorney, Agent, or Firm* — Gardner Groff  
Greenwald & Villanueva, PC

(56) **References Cited**

(57) **CLAIM**

The ornamental design for a children's toy, as shown and described.

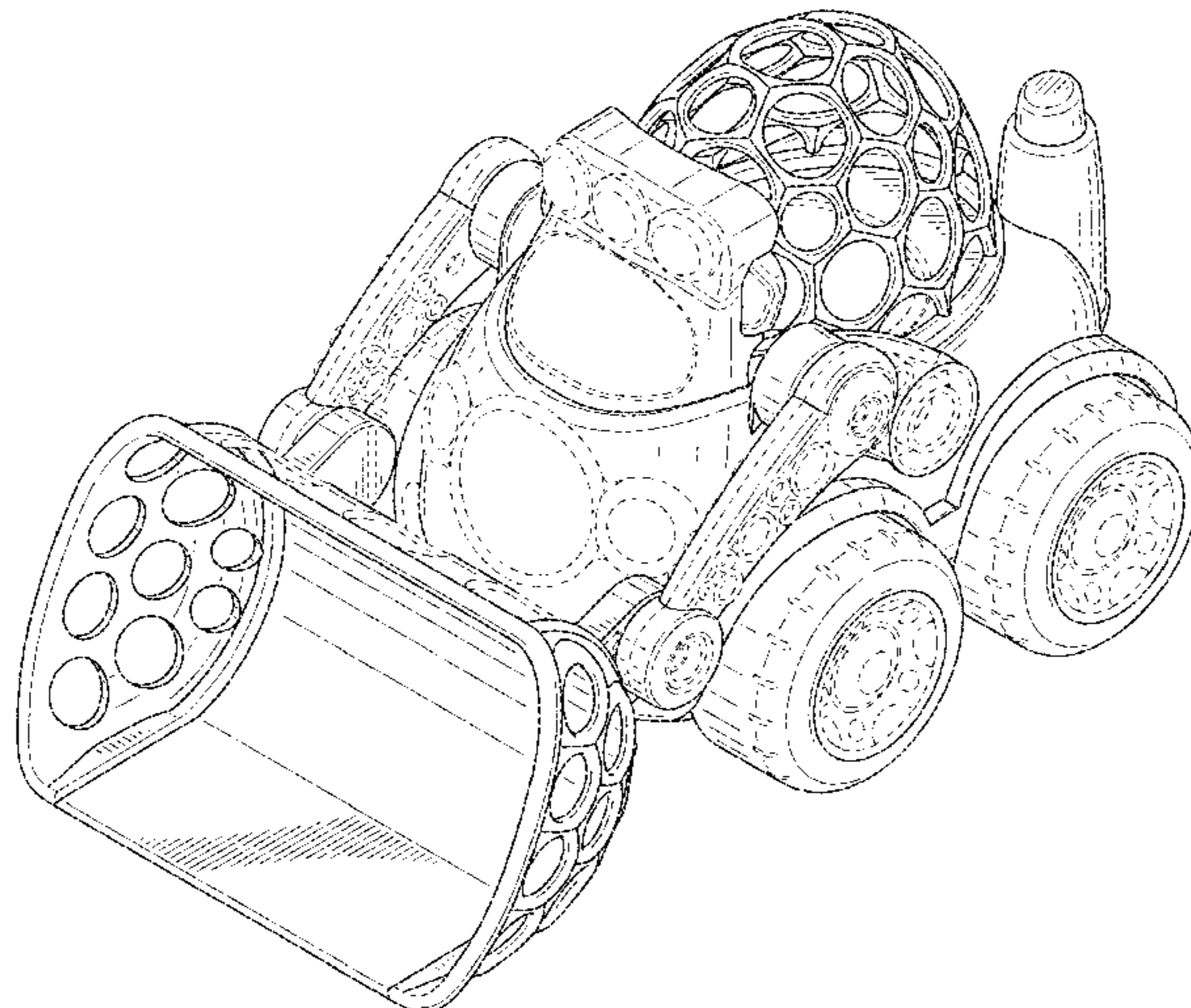
**U.S. PATENT DOCUMENTS**

**DESCRIPTION**

180,196 A 7/1876 Butler  
183,209 A 10/1876 Rich  
449,146 A 3/1891 Watrous  
693,064 A 2/1902 Proben et al.  
1,077,340 A 11/1913 Graham  
1,188,904 A 6/1916 Cosgriff  
1,319,297 A 10/1919 Limacher  
1,429,198 A 9/1922 Fawcett  
1,457,360 A 6/1923 Gilbert  
1,626,425 A 4/1927 Pelsue  
2,006,230 A 6/1935 Dobbins  
2,211,102 A 8/1940 Davis  
2,211,330 A 8/1940 Hochberg  
2,270,553 A 1/1942 Potito  
2,310,515 A 2/1943 Chester

FIG. 1 is a top perspective view of a children's toy;  
FIG. 2 is a front view of the children's toy of FIG. 1;  
FIG. 3 is a rear view of the children's toy of FIG. 1;  
FIG. 4 is a right side view of the children's toy of FIG. 1;  
FIG. 5 is a left side view of the children's toy of FIG. 1;  
FIG. 6 is a top view of the children's toy of FIG. 1; and,  
FIG. 7 is a bottom view of the children's toy of FIG. 1.  
The broken lines shown are included for the purpose of  
illustrating portions of the article which form no part of the  
claimed design.

**1 Claim, 4 Drawing Sheets**



# US D827,049 S

(56)

## References Cited

### U.S. PATENT DOCUMENTS

				5,772,204	A	6/1998	Phelps
				5,788,554	A	8/1998	Goodwin et al.
				5,853,313	A	12/1998	Zheng
				5,879,221	A *	3/1999	Barton ..... A63H 17/12
							446/427
2,770,915	A	11/1956	Hicks	D424,130	S *	5/2000	Wei ..... D21/537
2,937,475	A	5/1960	Crawford	D437,010	S	1/2001	Meys
3,018,583	A	1/1962	Novotney	6,203,393	B1	3/2001	Flynn
3,046,016	A	7/1962	Laws	6,279,984	B1	8/2001	Reina, Jr.
3,154,882	A	11/1964	Bossiere	D453,571	S	2/2002	Hall
3,274,596	A	9/1966	Raabe	6,418,673	B1	7/2002	Flowerday
3,276,148	A	10/1966	Snelson	6,488,556	B2	12/2002	Galomb
D210,840	S *	4/1968	Genin ..... D21/537	6,508,320	B2 *	1/2003	Huntsberger ..... B62K 9/00
3,462,874	A *	8/1969	Pauly ..... A63H 17/12				180/65.1
			446/425				
3,483,907	A	12/1969	Corridon	6,517,406	B1	2/2003	Cash
3,531,009	A	9/1970	Saperstein	6,524,272	B1	2/2003	Berry, Sr.
3,571,970	A	3/1971	Dunn et al.	D477,441	S	7/2003	Willinger et al.
3,603,023	A	9/1971	McHugh	6,609,944	B1	8/2003	Viola
3,633,587	A	1/1972	Hunt	D479,897	S	9/2003	Willinger
3,691,704	A	9/1972	Novak	D489,494	S	5/2004	Silvergate
3,758,116	A	9/1973	Pieronek	6,729,984	B2	5/2004	Silvergate
3,768,202	A	10/1973	Wheelock	6,769,588	B2	8/2004	Zheng
3,777,392	A	12/1973	Span et al.	D514,263	S	1/2006	Willinger
3,841,039	A	10/1974	Farnsworth, III	7,152,750	B2	12/2006	Coffey
3,866,348	A	2/1975	Roby et al.	7,169,120	B2	1/2007	Murdock et al.
3,889,950	A	6/1975	Kasravi	D539,367	S	3/2007	Jones
3,913,879	A	10/1975	Wright, Jr.	D563,609	S	3/2008	Gick
3,959,937	A	6/1976	Spunt	7,520,793	B2	4/2009	Pillai et al.
D243,266	S *	2/1977	Breneman ..... D21/537	D596,248	S	7/2009	Silvergate
4,088,319	A	5/1978	Clarke	7,600,488	B2	10/2009	Mann
D249,576	S *	9/1978	Dunbar ..... D21/537	7,662,012	B2	2/2010	Wright
4,128,909	A	12/1978	Kawabe et al.	D621,259	S	8/2010	Joy et al.
4,213,266	A	7/1980	Hyland et al.	7,806,746	B2	10/2010	Walterscheid
4,236,344	A *	12/1980	Kelly ..... A63H 17/12	7,867,101	B2	1/2011	Chiang
			414/719	7,867,115	B2	1/2011	Zawitz
4,274,224	A	6/1981	Pugh et al.	7,901,375	B2	3/2011	Dunn et al.
4,282,679	A	8/1981	Grubb et al.	D635,685	S	4/2011	Hendricks et al.
D261,787	S *	11/1981	Breneman ..... D21/537	D636,949	S	4/2011	Axelrod et al.
4,309,852	A	1/1982	Stolpin	7,931,520	B2	4/2011	Bryce
D264,106	S *	4/1982	Orenstein ..... D21/537	7,976,356	B2 *	7/2011	Bruder ..... A63H 17/12
4,381,620	A	5/1983	Panzarella				446/426
4,403,441	A	9/1983	White et al.	D646,792	S	10/2011	Pope
4,476,649	A	10/1984	Zaruba	8,052,552	B2	11/2011	Silvergate
4,514,995	A	5/1985	Curtis et al.	8,282,518	B2	10/2012	Silvergate et al.
D282,188	S *	1/1986	Terui ..... D21/552	8,371,899	B1	2/2013	Walterscheid
4,579,538	A	4/1986	Bass et al.	D678,425	S *	3/2013	Foster ..... D21/537
D284,493	S	7/1986	King	8,506,345	B2	8/2013	Tigan et al.
4,610,637	A	9/1986	Ferguson	8,579,133	B2	11/2013	Marcus et al.
D287,522	S *	12/1986	Blumenthal ..... D21/537	8,764,511	B2	7/2014	Verbera et al.
D287,988	S	1/1987	Billinghurst	8,851,956	B2	10/2014	Niu
4,637,941	A	1/1987	Rochte	8,932,101	B2	1/2015	Silvergate et al.
4,645,471	A	2/1987	Herring et al.	8,998,670	B1	4/2015	De Leon
4,778,429	A	10/1988	Todokoro	9,101,535	B2	8/2015	Silvergate et al.
4,813,674	A	3/1989	Lorhipipat	9,161,888	B2	10/2015	Lamar
4,836,787	A	6/1989	Boo	9,271,552	B2	3/2016	Van Ostenbridge
4,869,701	A	9/1989	Kawai et al.	9,289,695	B2	3/2016	Sadri et al.
4,883,441	A	11/1989	Byer	D767,688	S	9/2016	Nelson
4,929,216	A	5/1990	Morris et al.	D797,206	S *	9/2017	Ewringmann ..... D21/561
4,941,579	A	7/1990	Lee	D804,585	S *	12/2017	Belker ..... D21/562
5,104,125	A	4/1992	Wilson	2004/0221885	A1	11/2004	Zheng
5,174,580	A	12/1992	Pratt	2005/0142980	A1	6/2005	Rivero
5,195,917	A	3/1993	Russell et al.	2007/0077857	A1	4/2007	Wright
D336,317	S	6/1993	Thomson et al.	2008/0032826	A1	2/2008	Mubarak et al.
5,219,162	A	6/1993	Orbanes et al.	2009/0170643	A1	7/2009	Silvergate
5,224,959	A	7/1993	Kasper	2009/0170645	A1	7/2009	Silvergate
5,236,196	A	8/1993	Blankenburg et al.	2011/0256797	A1	10/2011	Chernick et al.
D340,991	S	11/1993	Clements	2012/0171924	A1	7/2012	Karnick et al.
5,309,586	A	5/1994	Sies et al.	2015/0297955	A1	10/2015	Silvergate et al.
D352,753	S	11/1994	Giannini et al.	2015/0328515	A1	11/2015	Prendergast
5,364,348	A	11/1994	Berry, Sr.	2016/0051862	A1	2/2016	Silvergate et al.
5,411,262	A	5/1995	Smith	2016/0310856	A1	10/2016	Mitchell et al.
D359,327	S	6/1995	Gould	2017/0007937	A1	1/2017	Elson et al.
5,449,174	A	9/1995	Criner				
5,451,436	A	9/1995	Shelleman				
D366,288	S	1/1996	Kino				
5,611,721	A	3/1997	Hoeting et al.				
D379,206	S	5/1997	Meffert				
5,759,083	A	6/1998	Polumbaum et al.				
5,766,701	A	6/1998	Lee				

### OTHER PUBLICATIONS

Grab Ball Toy Product Description Document; 2 pgs; Jul. 28, 2001.  
 Hol-ee Roller Toy Product Description Document; 2 pgs; Jul. 28, 2001.

(56)

**References Cited**

OTHER PUBLICATIONS

ISA Korean Intellectual Property Office, International Search Report of PCT/US2010/055855; dated Jul. 27, 2011; 9 pgs.

International Search Report for PCT/US2011/023339; 3 pgs; dated Oct. 27, 2011.

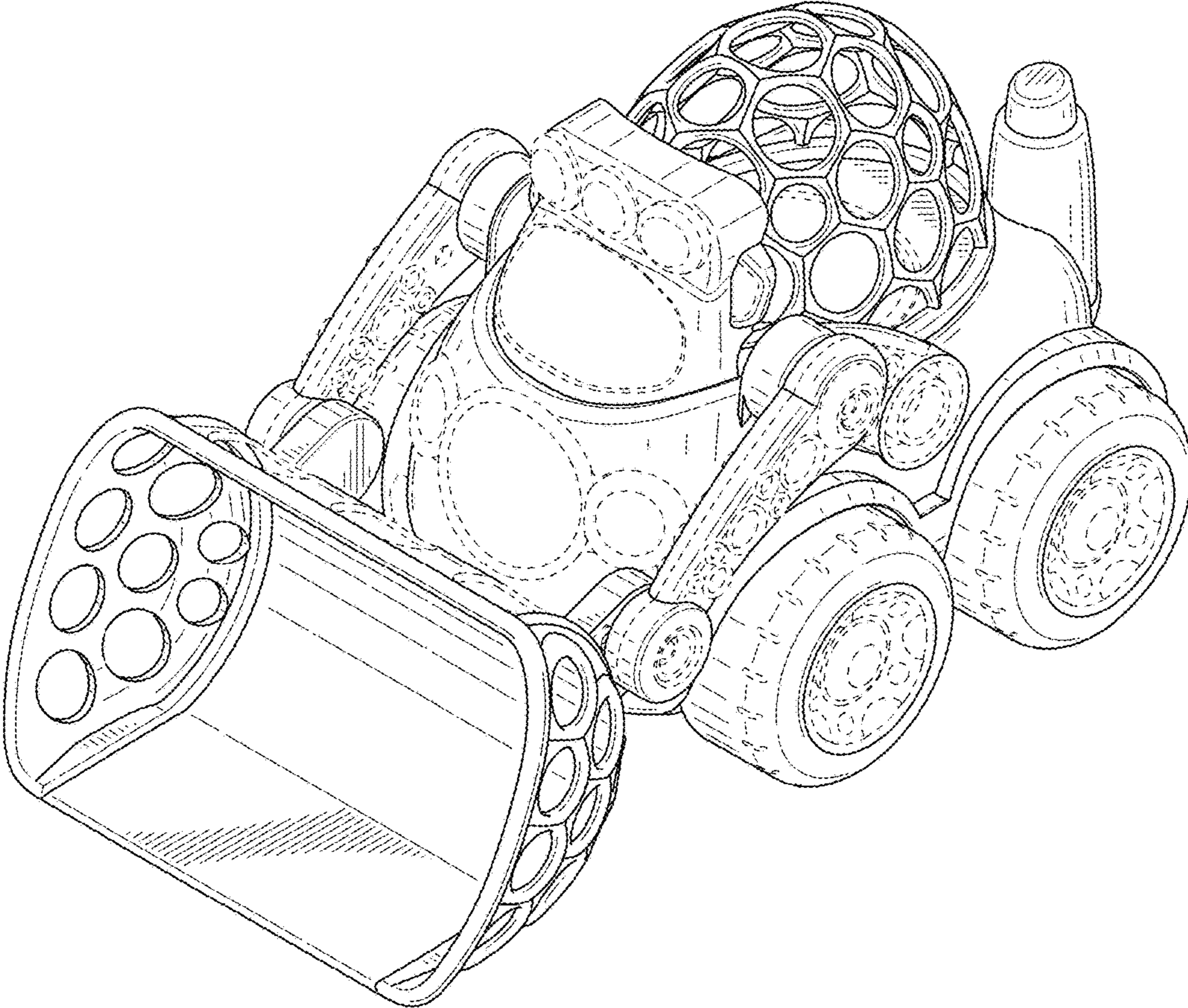
Mother's Cubbard Booth Listing; Sep. 13, 2009; 2 pgs.

Mother's Cubbard Name Tag; Sep. 13, 2009; 2 pgs.

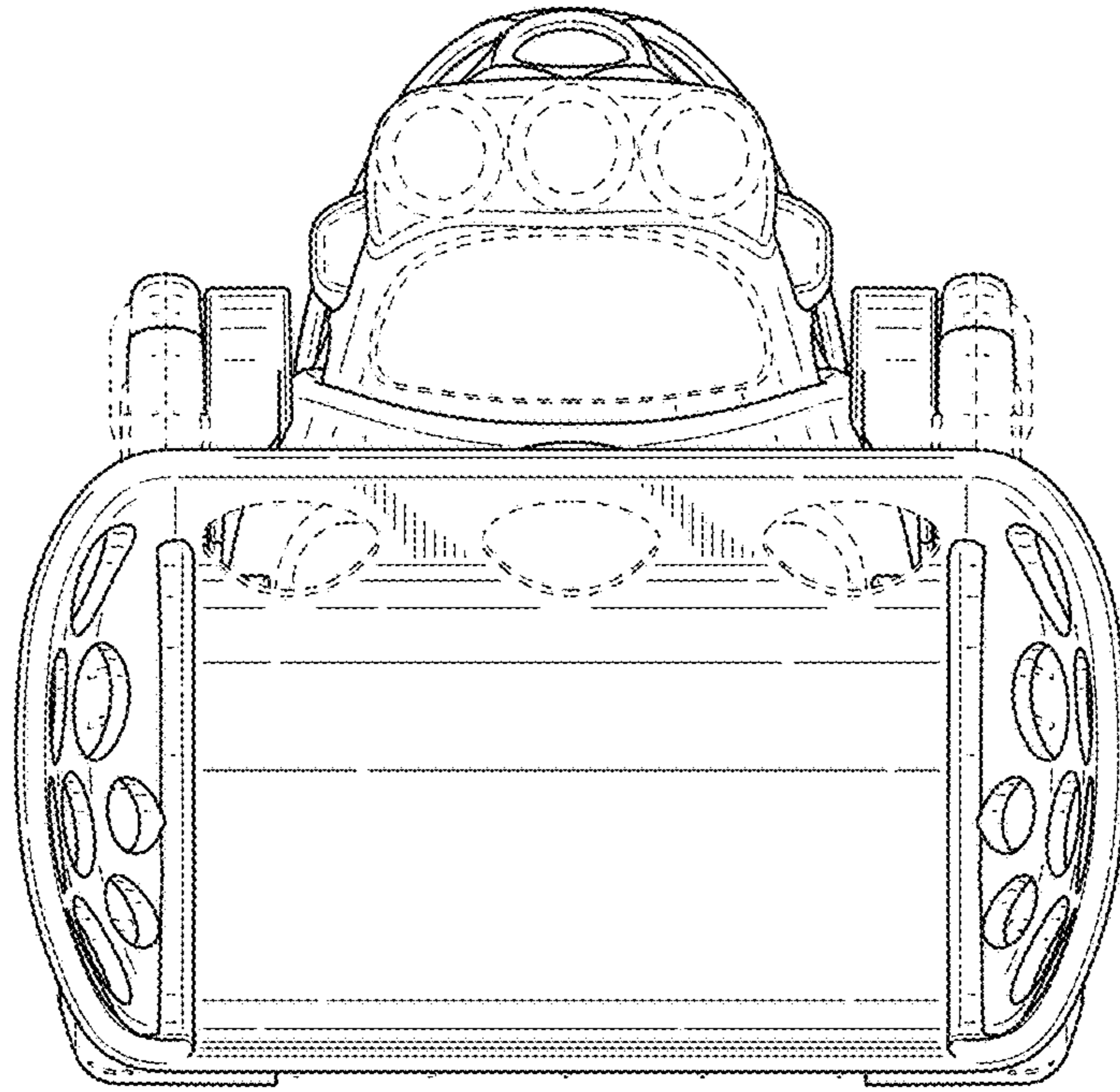
Popko, Edward; Geodesics; Fig. No. 62 of "Bicycle Wheel" Dome; University of Detroit Press; 1 pg.; 1968.

Sportime(R) Fall 2003 Catalog; p. 21; 2003.

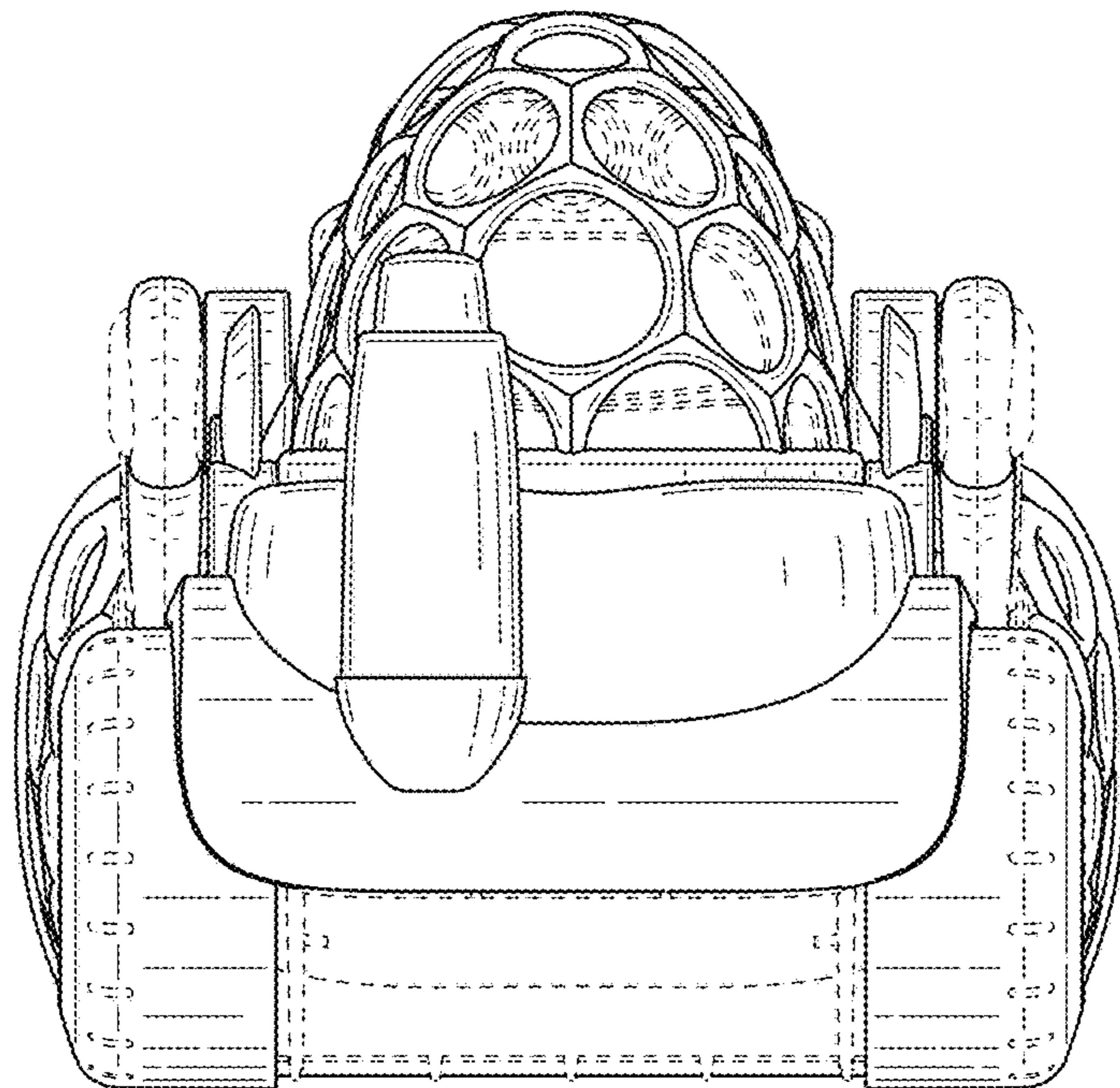
\* cited by examiner



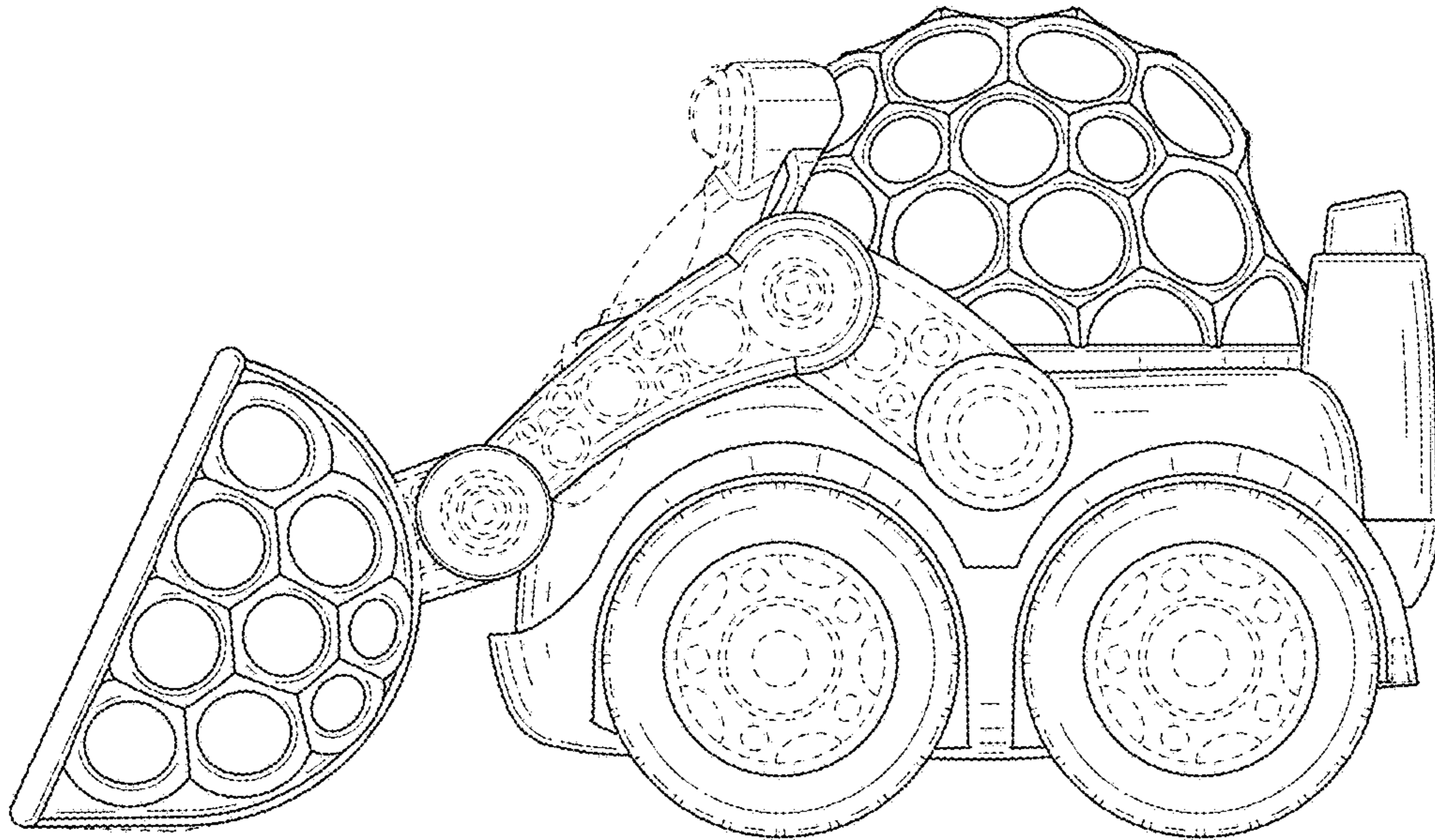
*FIG. 1*



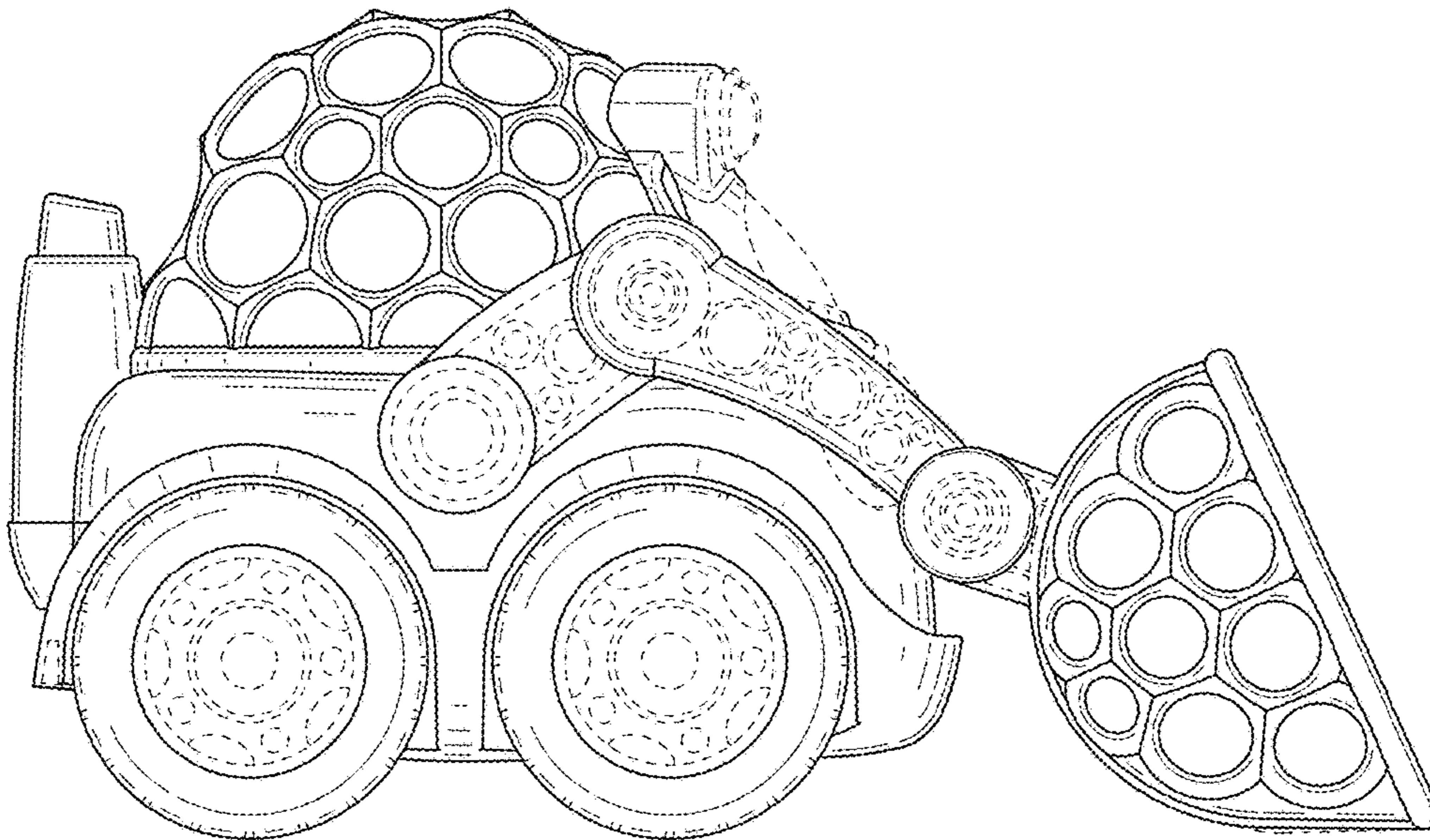
*FIG. 2*



*FIG. 3*



*FIG. 4*



*FIG. 5*

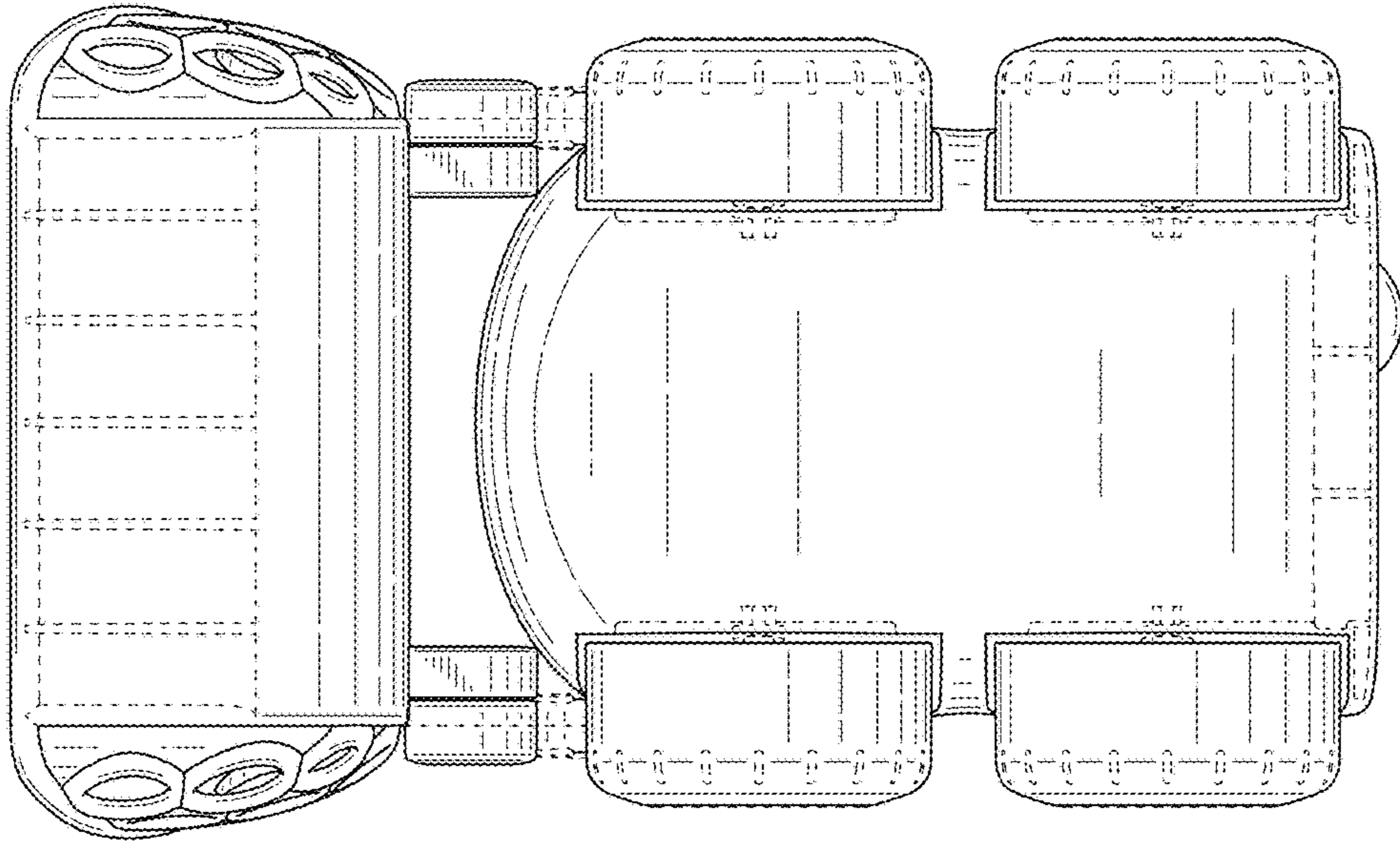


FIG. 7

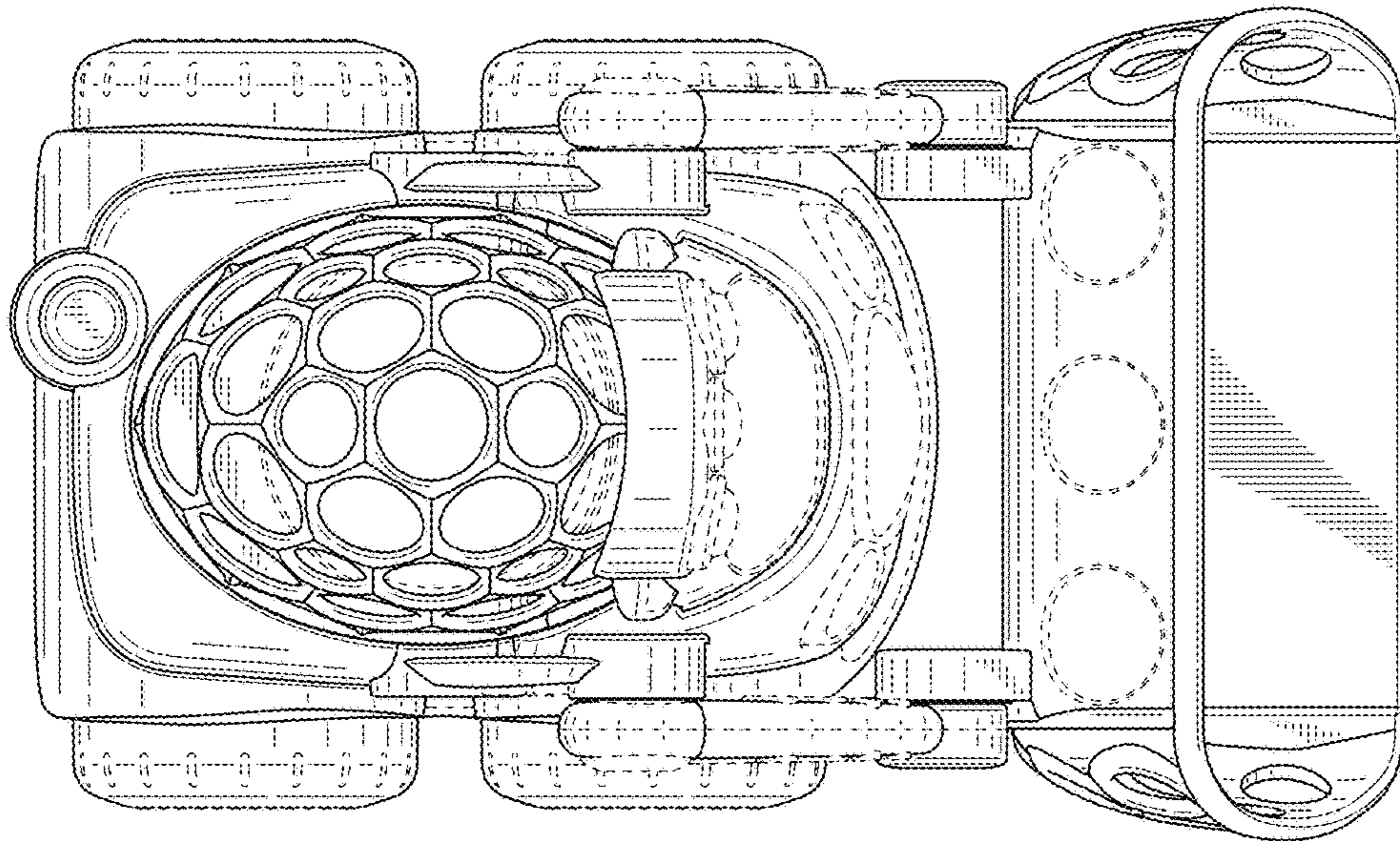


FIG. 8