



US00D827046S

(12) **United States Design Patent** (10) **Patent No.:** **US D827,046 S**  
**Horikoshi et al.** (45) **Date of Patent:** **\*\* Aug. 28, 2018**

(54) **SPINNING TOP TOY**  
(71) Applicant: **TOMY COMPANY, LTD.**, Tokyo (JP)  
(72) Inventors: **Kenji Horikoshi**, Tokyo (JP); **Hiroyuki Matsukawa**, Tokyo (JP)  
(73) Assignee: **TOMY COMPANY, LTD.**, Tokyo (JP)  
(\*\*) Term: **15 Years**

D629,469 S \* 12/2010 Nishimoto ..... D21/460  
D629,847 S \* 12/2010 Ujita ..... D21/460  
D629,848 S \* 12/2010 Ujita ..... D21/460  
D639,348 S \* 6/2011 Ujita ..... D21/460  
D639,869 S \* 6/2011 Nishimoto ..... D21/460  
D660,918 S \* 5/2012 Ujita ..... D21/460  
D662,556 S \* 6/2012 Horikoshi ..... D21/460  
D665,858 S \* 8/2012 Horikoshi ..... D21/460  
D665,859 S \* 8/2012 Horikoshi ..... D21/460  
D666,252 S \* 8/2012 Ujita ..... D21/460  
D666,253 S \* 8/2012 Ujita ..... D21/460

(Continued)

(21) Appl. No.: **29/620,824**  
(22) Filed: **Jun. 29, 2017**

(30) **Foreign Application Priority Data**

Feb. 20, 2017 (JP) ..... 2017-003228

(51) **LOC (11) Cl.** ..... **21-01**

(52) **U.S. Cl.**  
USPC ..... **D21/460**

(58) **Field of Classification Search**  
USPC ..... 446/34, 46-48, 217, 218, 235-245,  
446/246-256, 257-266, 429, 430, 435,  
446/450-453, 486, 487, 489-491;  
D21/385, 390, 398, 436, 441-444,  
D21/453-457, 458-464, 561-563, 578,  
D21/585, 592; 273/147, 317  
CPC .... A63H 1/00; A63H 1/04; A63H 1/22; A63F  
9/16

See application file for complete search history.

(56) **References Cited**

**U.S. PATENT DOCUMENTS**

D608,842 S \* 1/2010 Nishimoto ..... D21/460  
D610,209 S \* 2/2010 Nishimoto ..... D21/460  
D614,245 S \* 4/2010 Ujita ..... D21/460  
D615,134 S \* 5/2010 Nishimoto ..... D21/460  
D615,602 S \* 5/2010 Nishimoto ..... D21/460  
D629,051 S \* 12/2010 Nishimoto ..... D21/460  
D629,468 S \* 12/2010 Ujita ..... D21/460

**OTHER PUBLICATIONS**

Amazon, "Beyblade Burst B-82 Booster . . ." Jun. 11, 2017.  
<https://www.amazon.com/dp/B0719D5515/>  
ref=psdc\_166224011\_t3\_B074N3F1K1. Shown on p. 1. (Year:  
2017).\*

*Primary Examiner* — Cynthia Ramirez  
*Assistant Examiner* — Michael A Maharajh  
(74) *Attorney, Agent, or Firm* — Staas & Halsey LLP

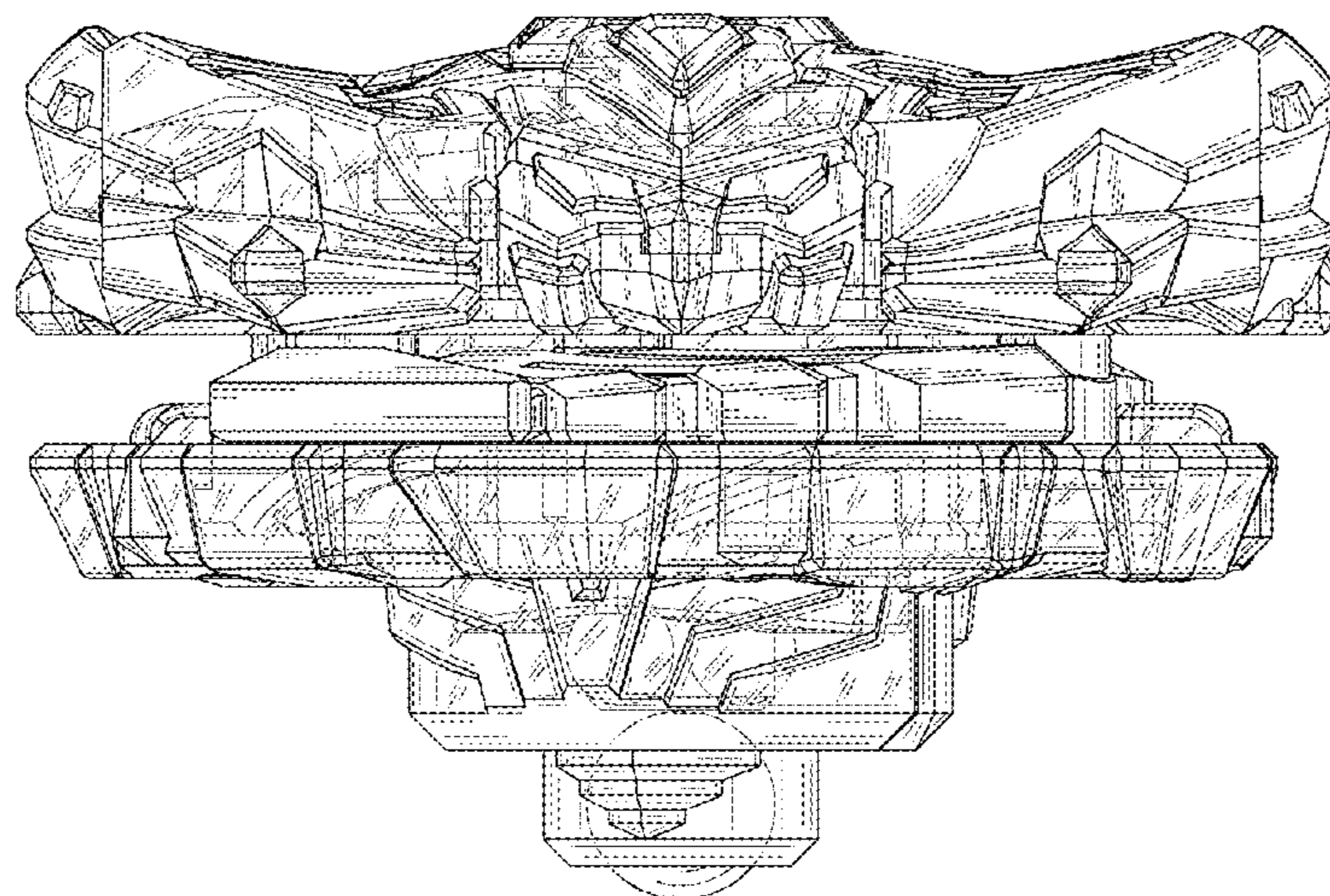
(57) **CLAIM**

The ornamental design for a spinning top toy, as shown.

**DESCRIPTION**

FIG. 1 is a front view of the spinning top toy showing our design;  
FIG. 2 is a left side view thereof;  
FIG. 3 is a rear view thereof;  
FIG. 4 is a right side view thereof;  
FIG. 5 is a top view thereof;  
FIG. 6 is a bottom view thereof;  
FIG. 7 is a front perspective view thereof; and,  
FIG. 8 is a rear perspective view.  
The broken lines shown in the figures are for the purpose of illustrating portions of the spinning top toy, which form no part of the claimed design.

**1 Claim, 8 Drawing Sheets**



(56)

**References Cited**

U.S. PATENT DOCUMENTS

D667,894	S *	9/2012	Horikoshi	.....	D21/460
9,737,821	B1 *	8/2017	Horikoshi	.....	A63H 1/18
9,849,395	B1 *	12/2017	Muraki	.....	A63H 1/02
2002/0102907	A1 *	8/2002	Osawa	.....	A63H 1/00 446/256
2011/0006479	A1 *	1/2011	Ujita	.....	A63H 1/16 273/147
2011/0256795	A1 *	10/2011	Ujita	.....	A63H 1/00 446/264
2011/0256796	A1 *	10/2011	Ujita	.....	A63H 1/00 446/264
2014/0302743	A1 *	10/2014	Cai	.....	A63H 1/18 446/256
2016/0151716	A1 *	6/2016	Nagai	.....	A63H 29/22 446/237
2016/0220912	A1 *	8/2016	Cai	.....	A63H 1/00
2017/0173477	A1 *	6/2017	Shindo	.....	A63H 1/04
2017/0203218	A1 *	7/2017	Muraki	.....	A63H 1/00

\* cited by examiner



FIG. 1

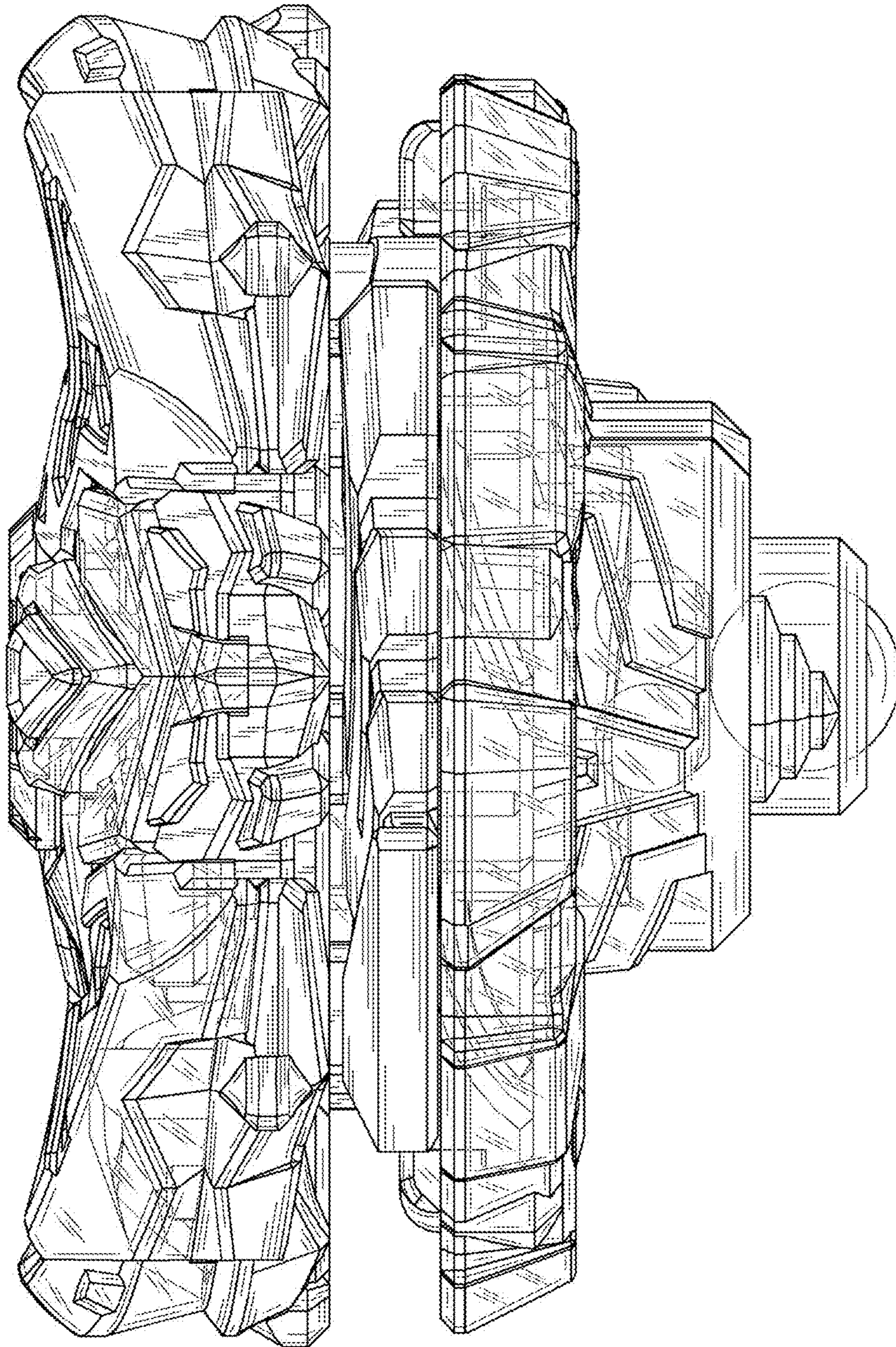




FIG. 2

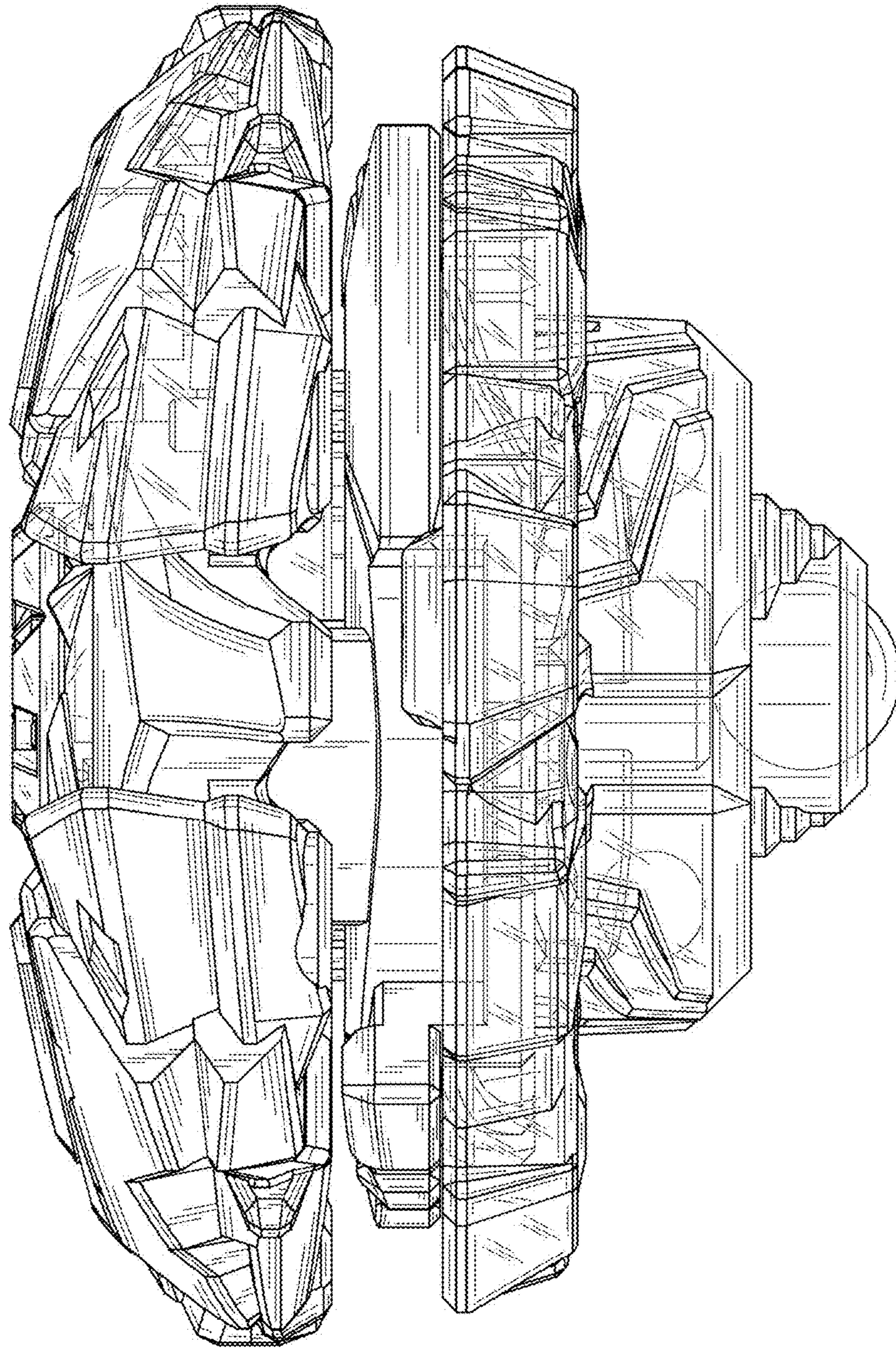




FIG. 3

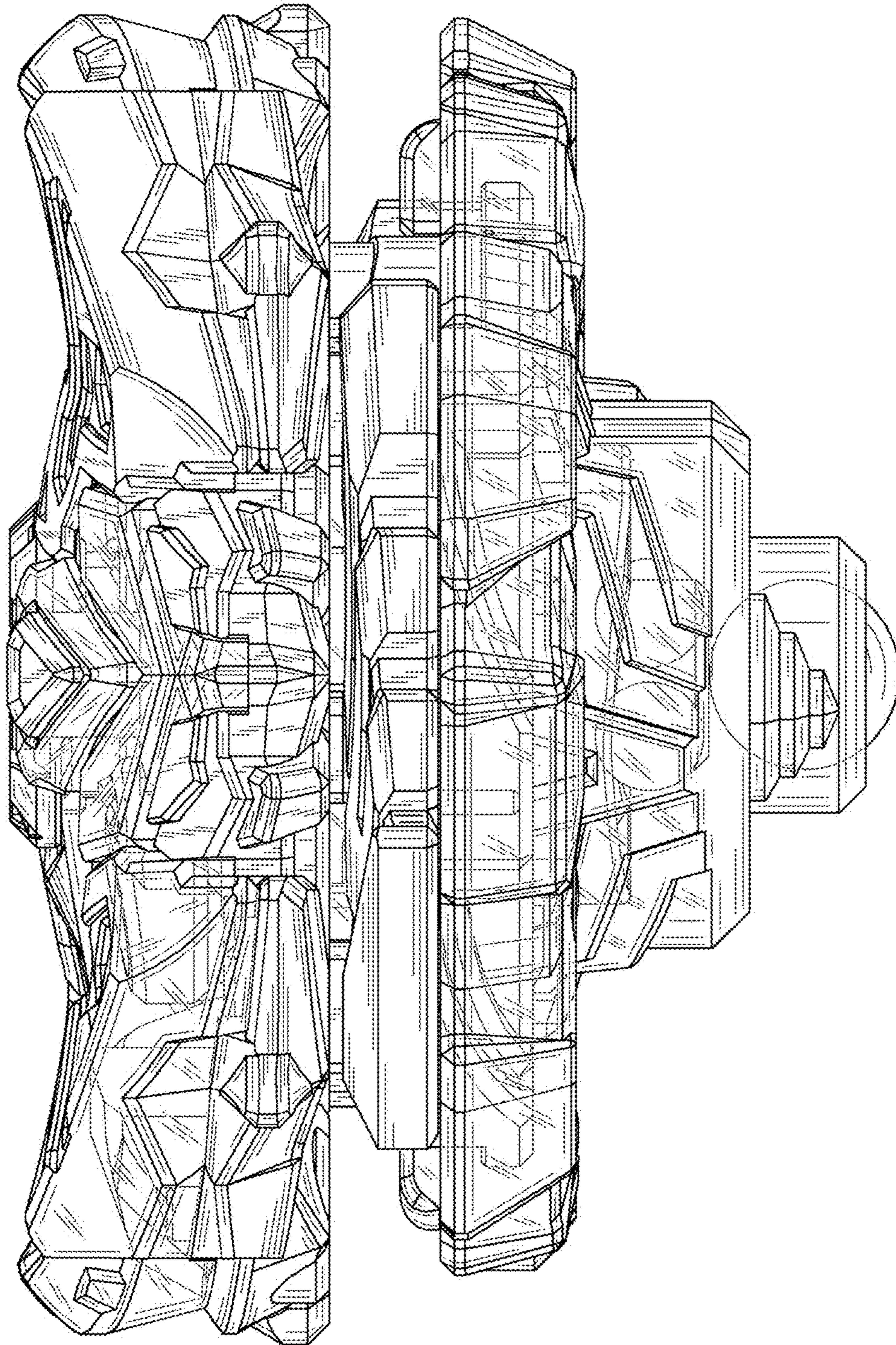
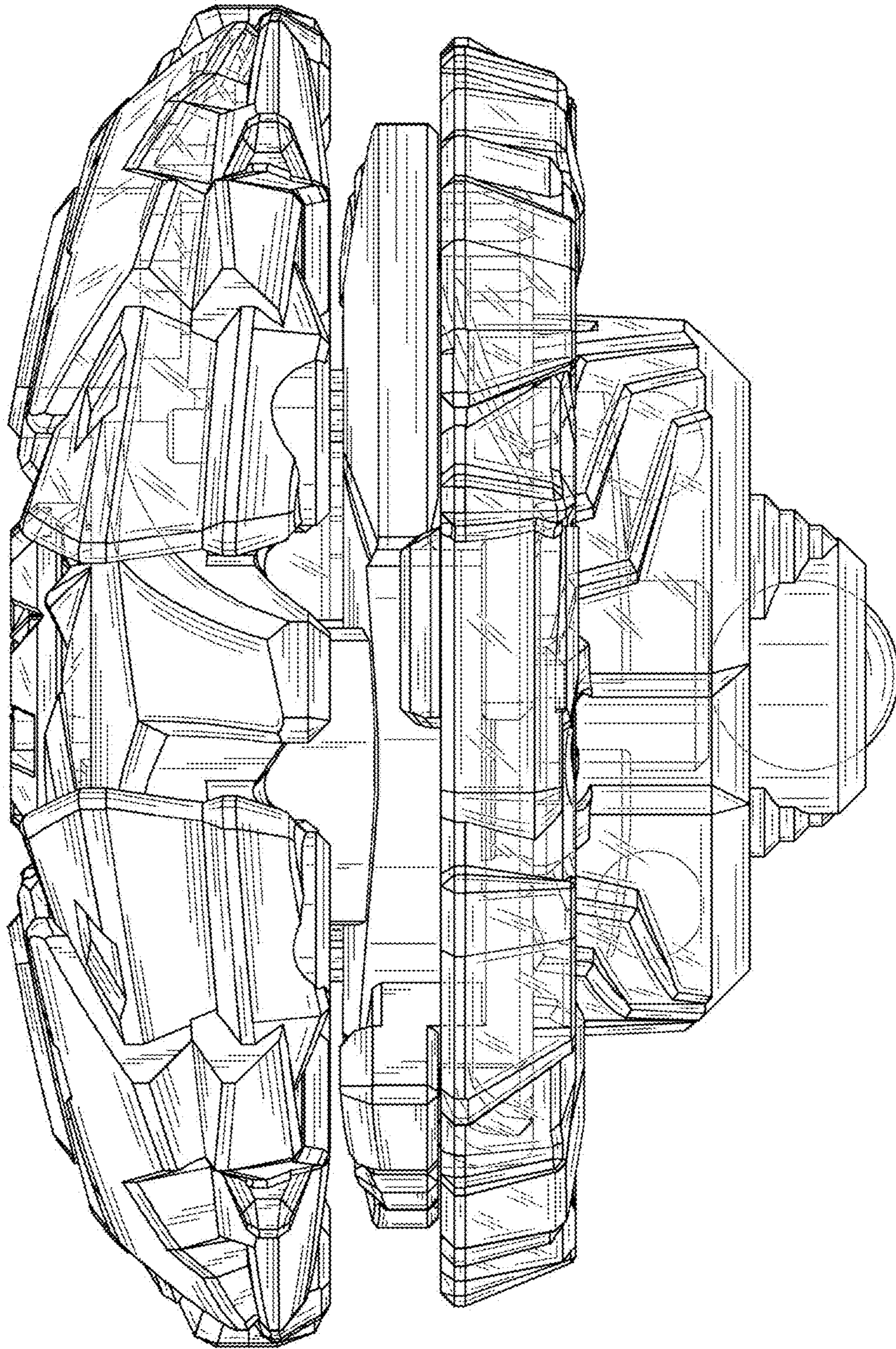




FIG. 4





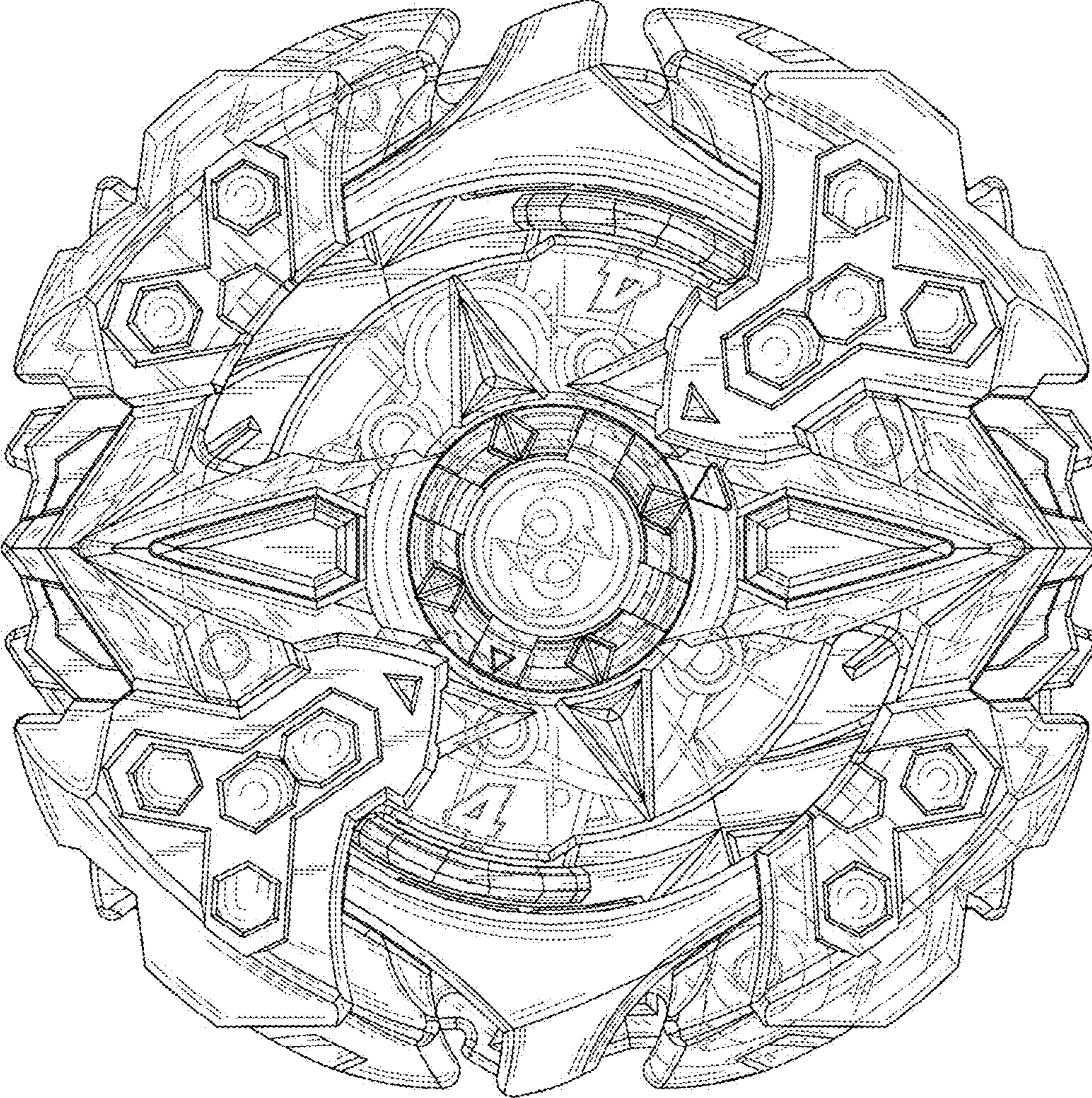


FIG. 5



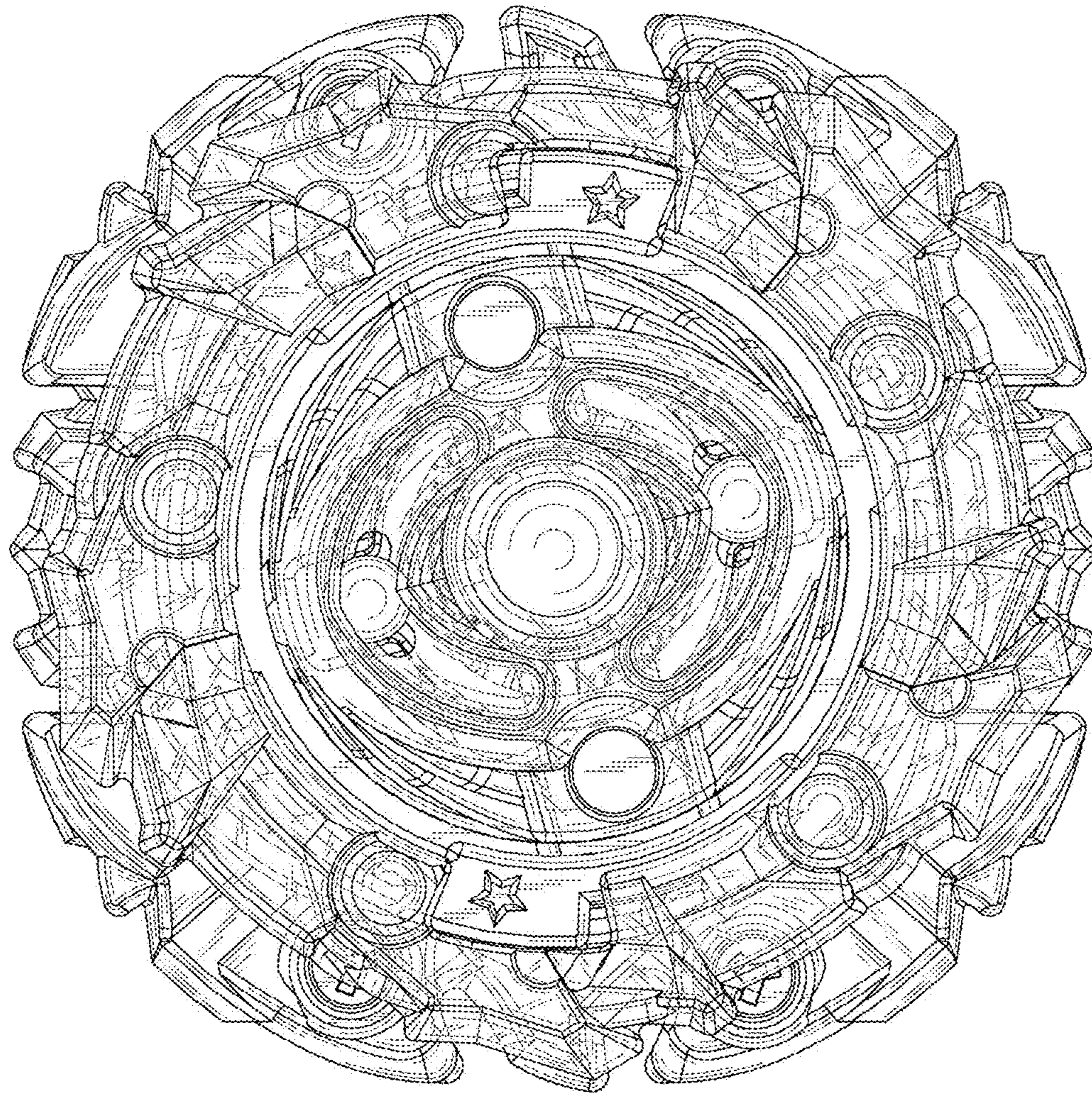


FIG. 6



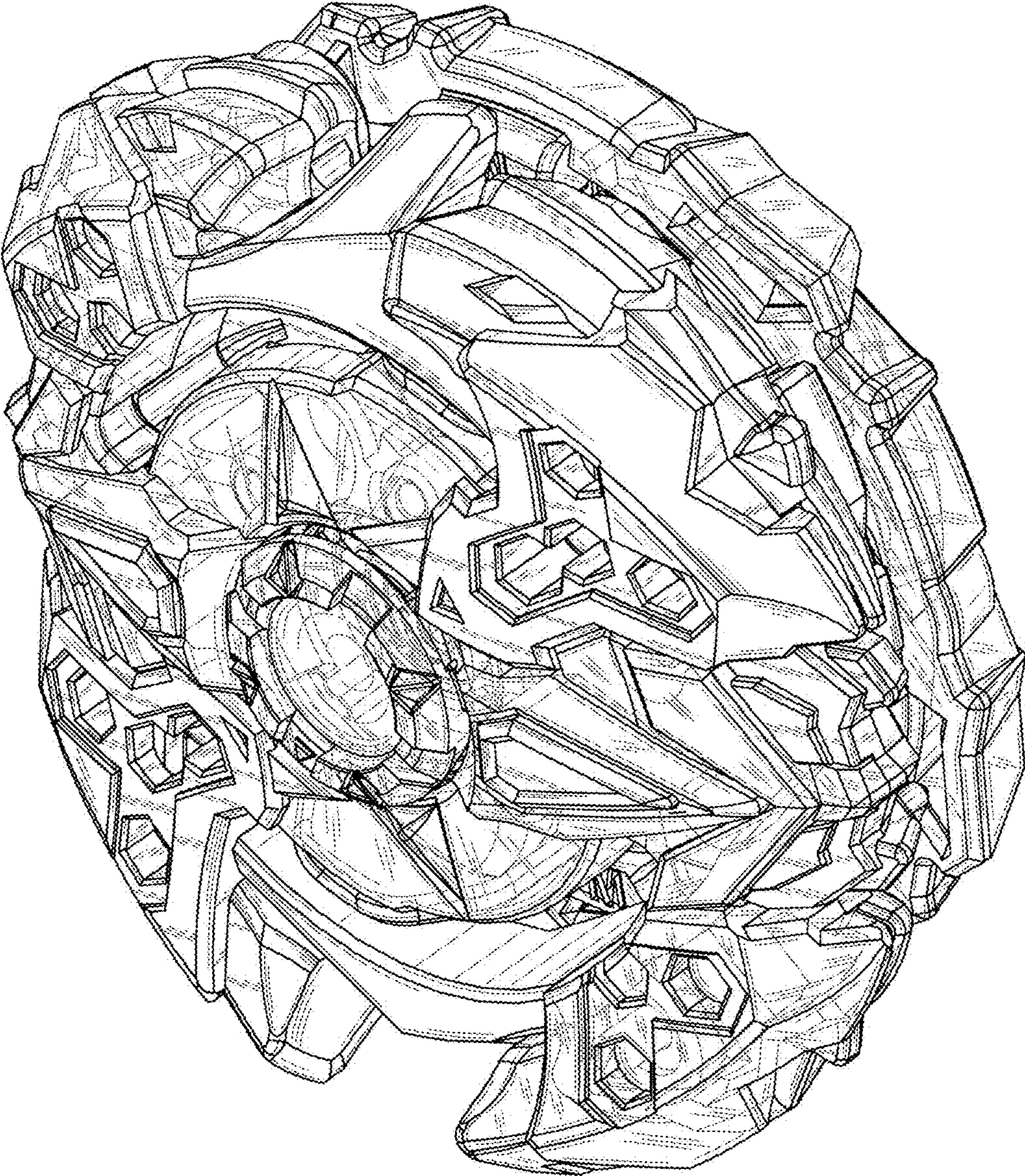


FIG. 7



FIG. 8

