



US00D827045S

(12) **United States Design Patent**
Horikoshi

(10) **Patent No.:** **US D827,045 S**

(45) **Date of Patent:** **** Aug. 28, 2018**

(54) **SPINNING TOP TOY**

(71) Applicant: **TOMY COMPANY, LTD.**, Tokyo (JP)

(72) Inventor: **Kenji Horikoshi**, Tokyo (JP)

(73) Assignee: **TOMY COMPANY, LTD.**, Tokyo (JP)

(**) Term: **15 Years**

(21) Appl. No.: **29/620,730**

(22) Filed: **May 16, 2017**

(30) **Foreign Application Priority Data**

Jan. 27, 2017 (JP) 2017-001374

(51) **LOC (11) Cl.** **21-01**

(52) **U.S. Cl.**
USPC **D21/460**

(58) **Field of Classification Search**
USPC 446/34, 46-48, 217, 218, 235-245,
446/246-256, 257-266, 429, 430, 435,
446/450-453, 486, 487, 489-491;
D21/385, 390, 398, 436, 441-444,
D21/453-457, 458-464, 561-563, 578,
D21/585, 592; 273/147, 317
CPC A63H 1/00; A63H 1/04; A63H 1/22; A63F
9/16

See application file for complete search history.

(56) **References Cited**

U.S. PATENT DOCUMENTS

D608,842 S *	1/2010	Nishimoto	D21/460
D610,209 S *	2/2010	Nishimoto	D21/460
D614,245 S *	4/2010	Ujita	D21/460
D615,134 S *	5/2010	Nishimoto	D21/460
D615,602 S *	5/2010	Nishimoto	D21/460
D629,051 S *	12/2010	Nishimoto	D21/460
D629,468 S *	12/2010	Ujita	D21/460
D629,469 S *	12/2010	Nishimoto	D21/460
D629,847 S *	12/2010	Ujita	D21/460
D629,848 S *	12/2010	Ujita	D21/460

D639,348 S *	6/2011	Ujita	D21/460
D639,869 S *	6/2011	Nishimoto	D21/460
D660,918 S *	5/2012	Ujita	D21/460
D662,556 S *	6/2012	Horikoshi	D21/460
D665,858 S *	8/2012	Horikoshi	D21/460

(Continued)

OTHER PUBLICATIONS

Amazon, "Beyblade Burst Starter . . .", Mar. 8, 2017. https://www.amazon.com/Beyblade-Burst-Starter-Pack-Kerbeus/product-reviews/B01F5M4LPM/ref=cm_cr_arp_d_viewopt_srt?ie=UTF8&reviewerType=all_reviews&sortBy=recent&pageNumber=1. Shown on p. 1. (Year: 2017).*

Primary Examiner — Cynthia Ramirez

Assistant Examiner — Michael A Maharajh

(74) *Attorney, Agent, or Firm* — Staas & Halsey LLP

(57) **CLAIM**

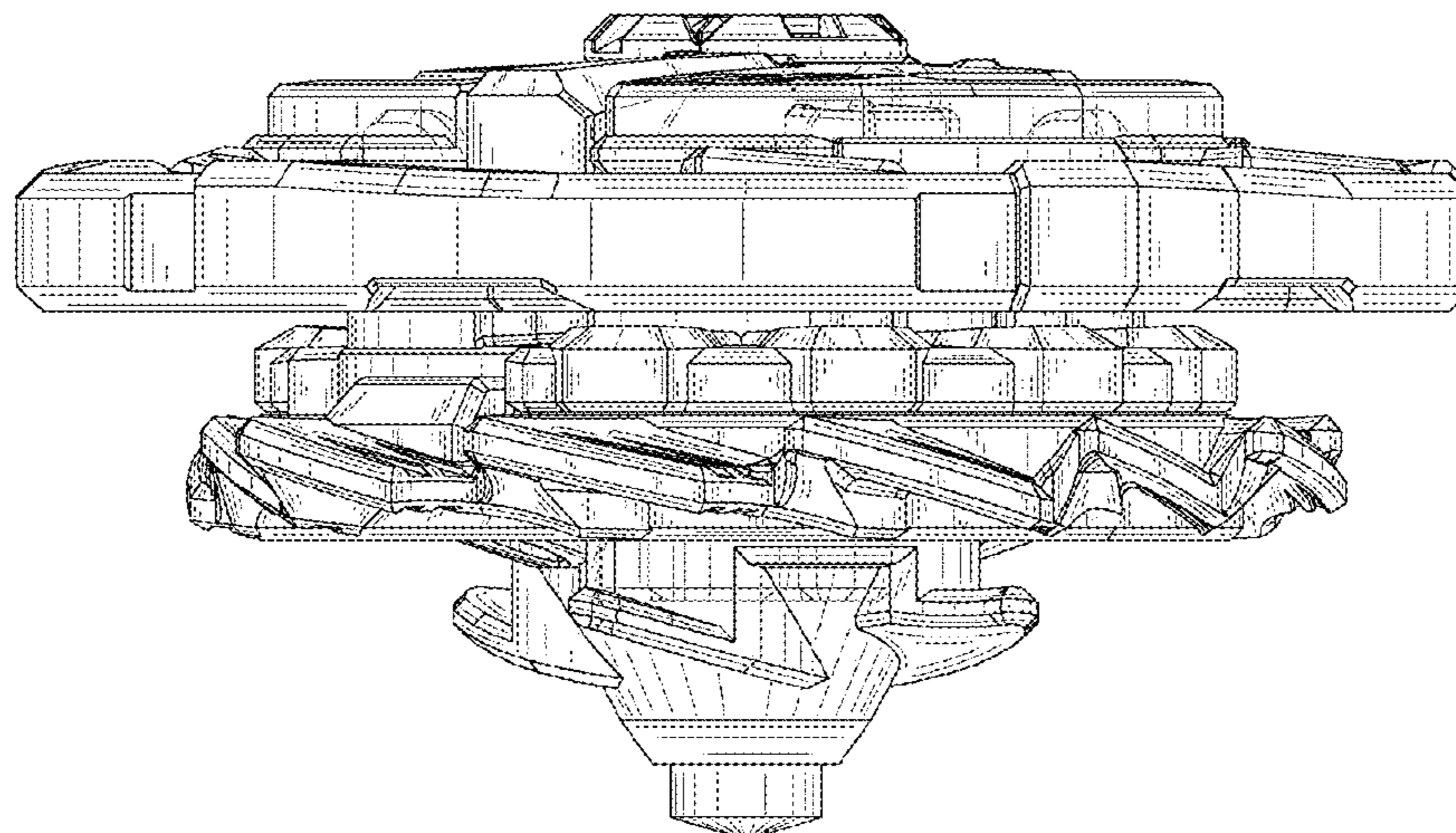
I claim the ornamental design for a spinning top toy, as shown and described.

DESCRIPTION

FIG. 1 is a front view of the spinning top toy showing my design;
FIG. 2 is a left side view thereof;
FIG. 3 is a rear view thereof;
FIG. 4 is right side view thereof;
FIG. 5 is a top view thereof;
FIG. 6 is a bottom view thereof;
FIG. 7 is a perspective view thereof;
FIG. 8 is a side view showing only the transparent parts for convenience of illustration; and,
FIG. 9 is a top view of the uppermost transparent part, apart from the rest of the spinning top toy, shown for convenience of illustration.

The broken lines shown in the figures are for the purpose of illustrating portions of the spinning top toy, which form no part of the claimed design.

1 Claim, 9 Drawing Sheets



(56)

References Cited

U.S. PATENT DOCUMENTS

D665,859	S *	8/2012	Horikoshi	D21/460
D666,252	S *	8/2012	Ujita	D21/460
D666,253	S *	8/2012	Ujita	D21/460
D667,894	S *	9/2012	Horikoshi	D21/460
9,849,395	B1 *	12/2017	Muraki	A63H 1/02
2002/0102907	A1 *	8/2002	Osawa	A63H 1/00 446/256
2011/0006479	A1 *	1/2011	Ujita	A63H 1/16 273/147
2011/0256795	A1 *	10/2011	Ujita	A63H 1/00 446/264
2011/0256796	A1 *	10/2011	Ujita	A63H 1/00 446/264
2014/0302743	A1 *	10/2014	Cai	A63H 1/18 446/256
2016/0151716	A1 *	6/2016	Nagai	A63H 29/22 446/237
2017/0173477	A1 *	6/2017	Shindo	A63H 1/04
2017/0203218	A1 *	7/2017	Muraki	A63H 1/00

* cited by examiner

FIG. 1

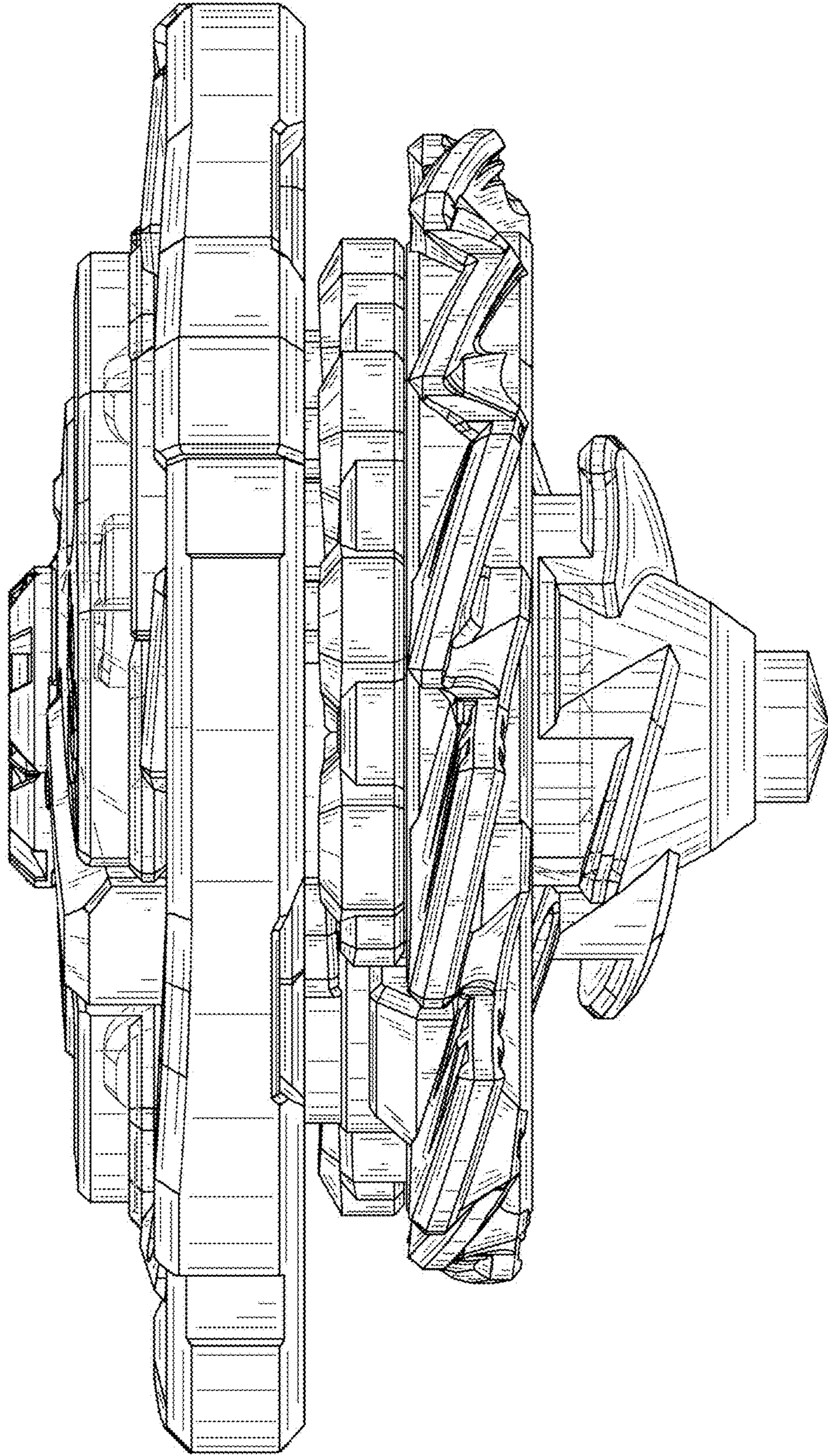


FIG. 2

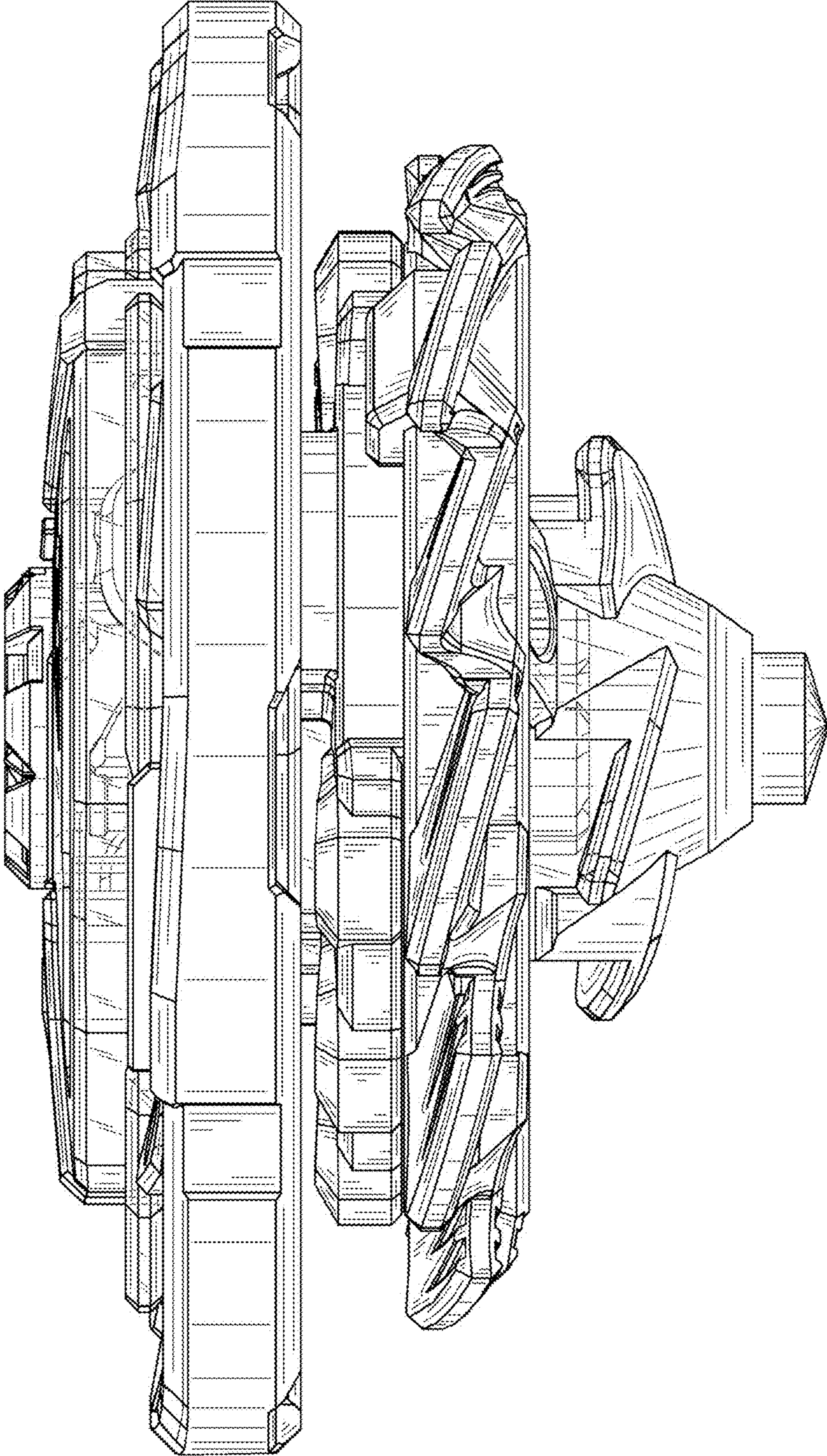


FIG. 3

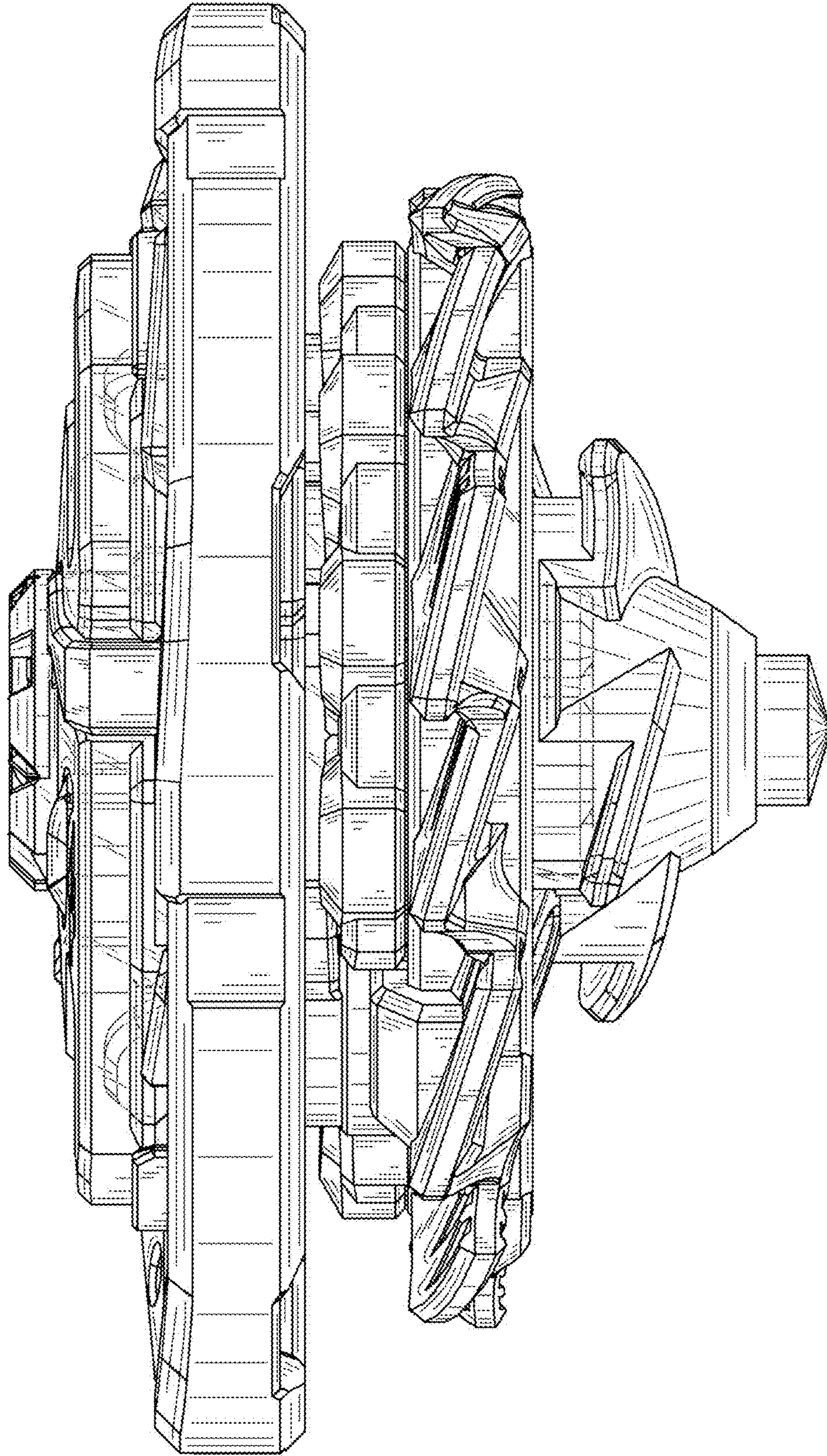
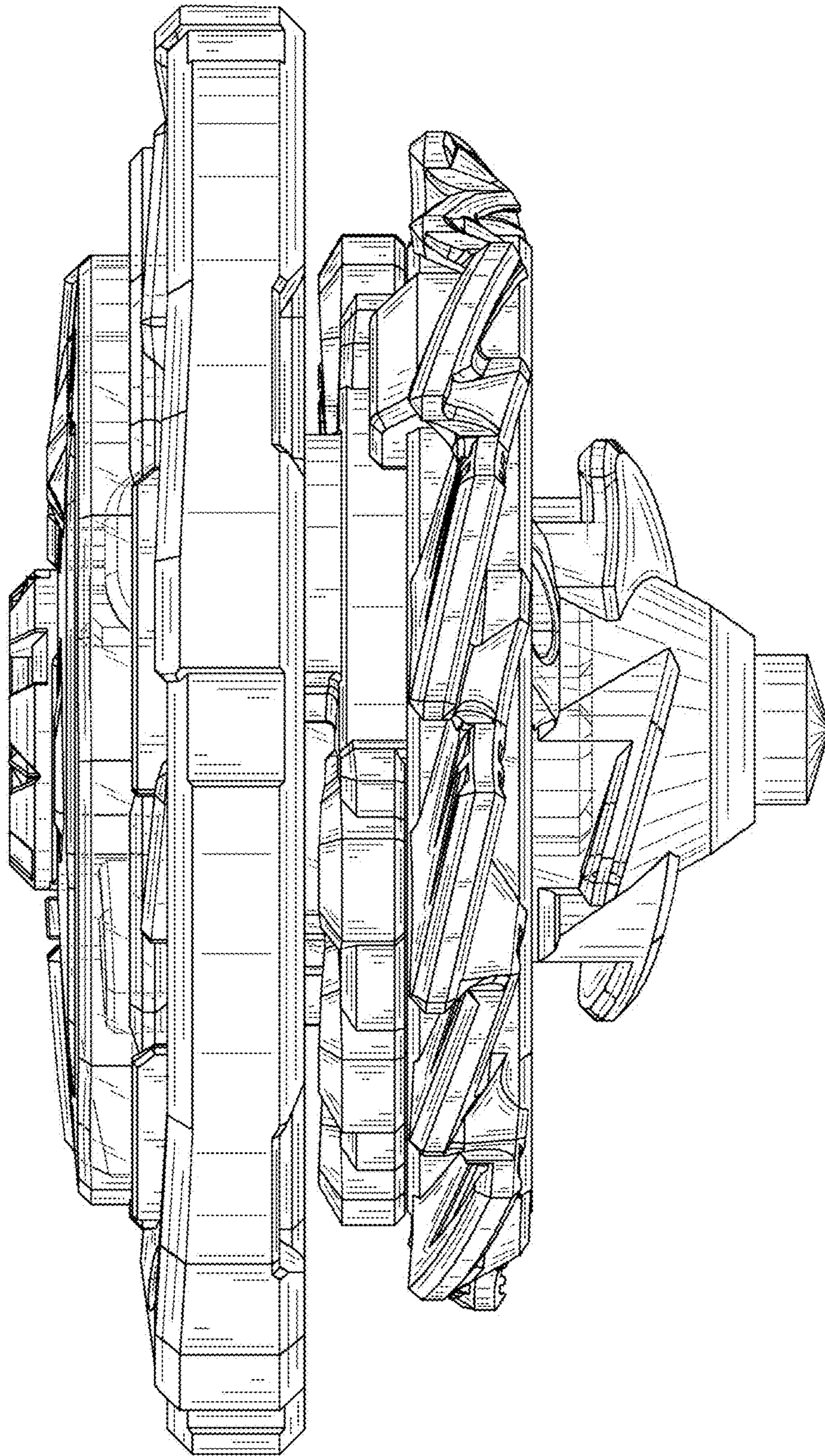


FIG. 4



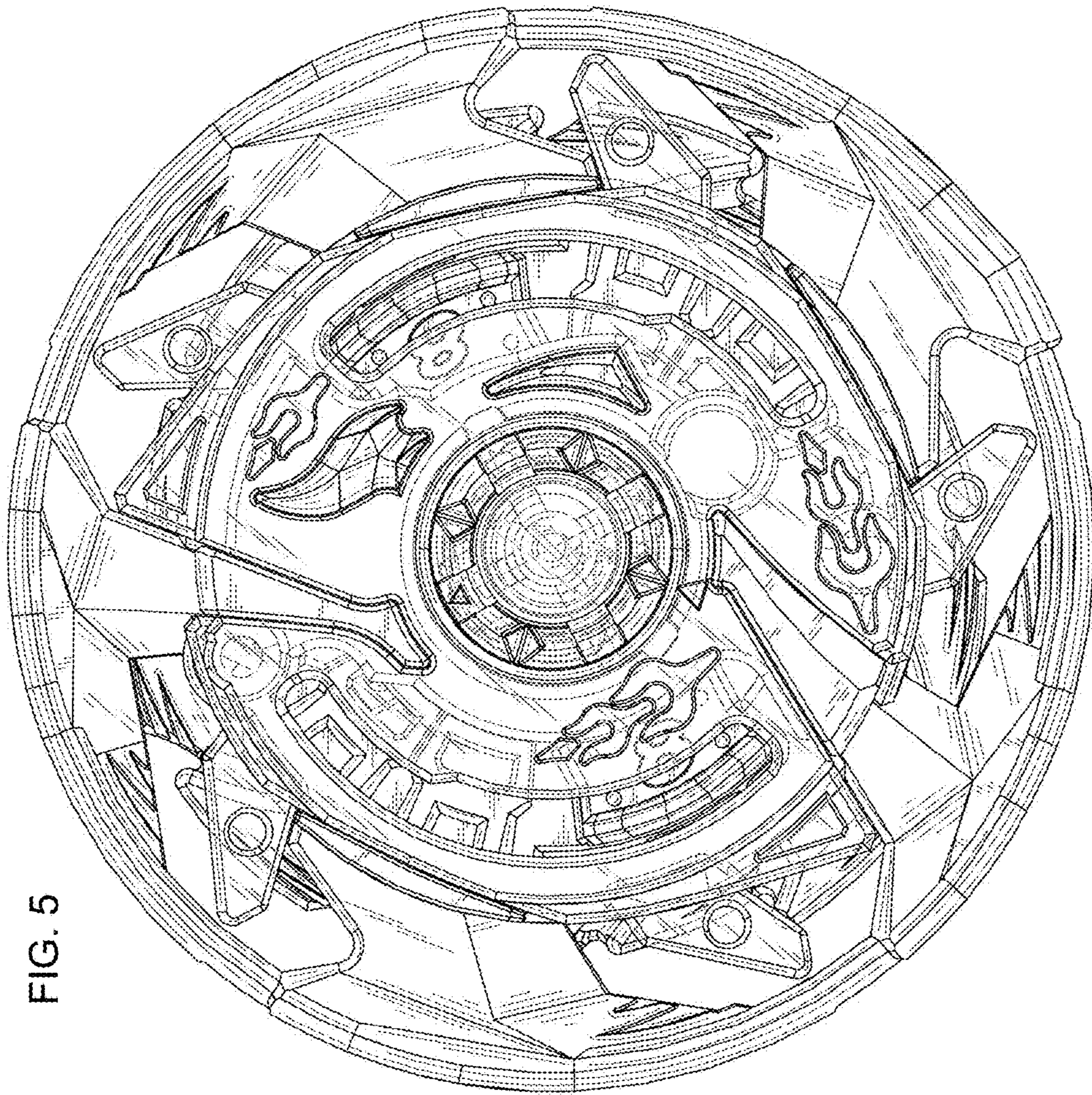


FIG. 5

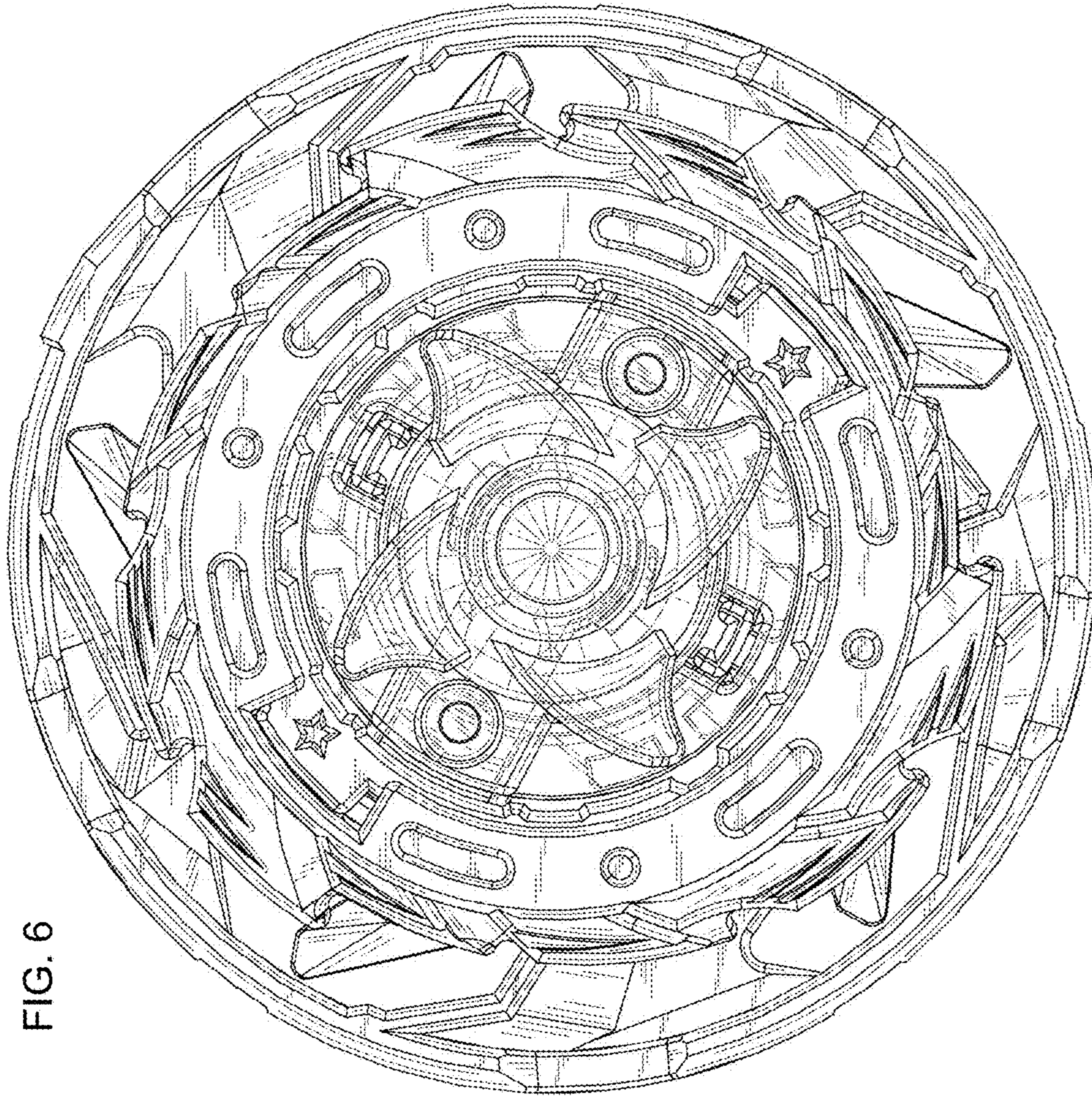


FIG. 6

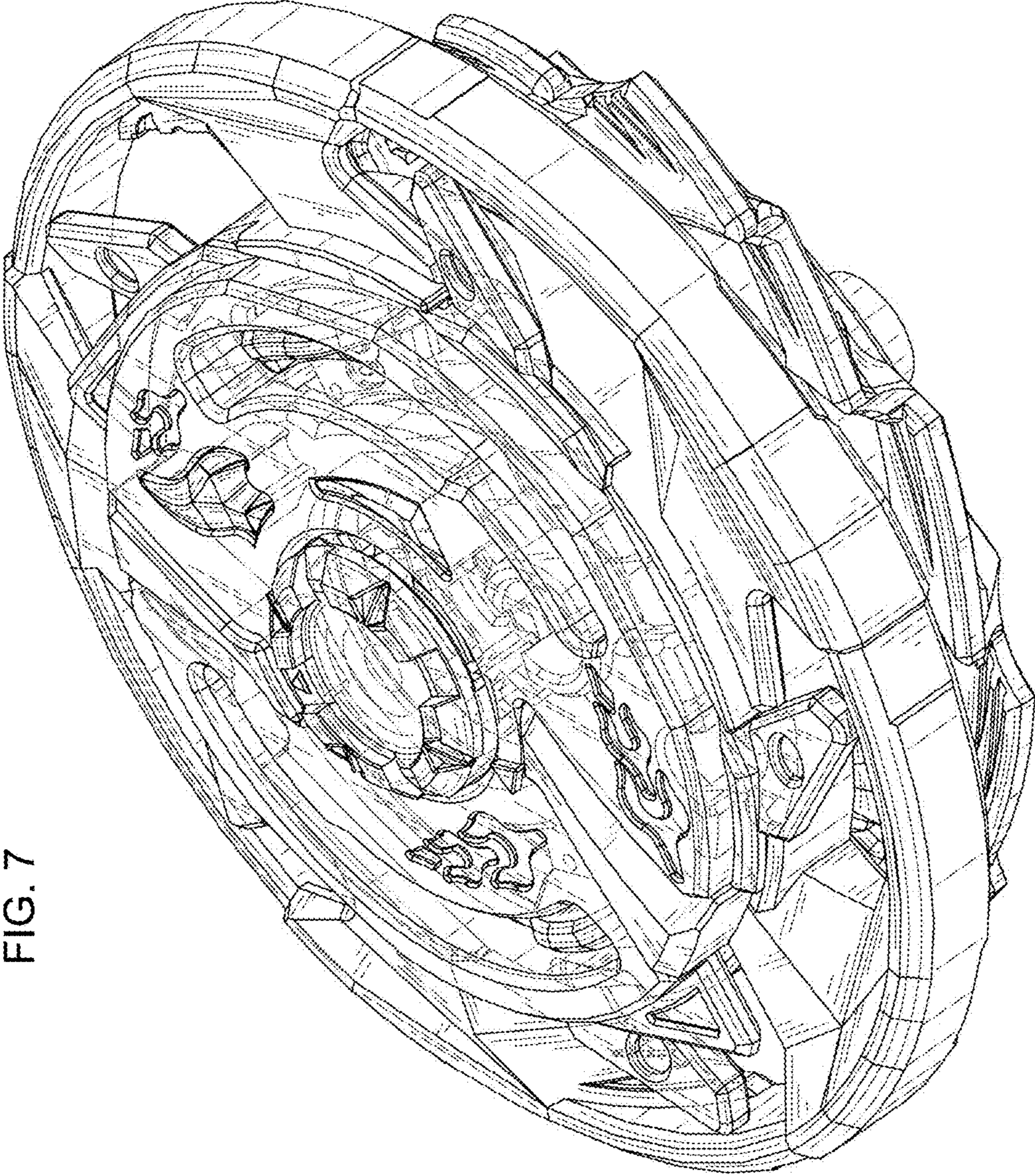


FIG. 7

FIG. 8

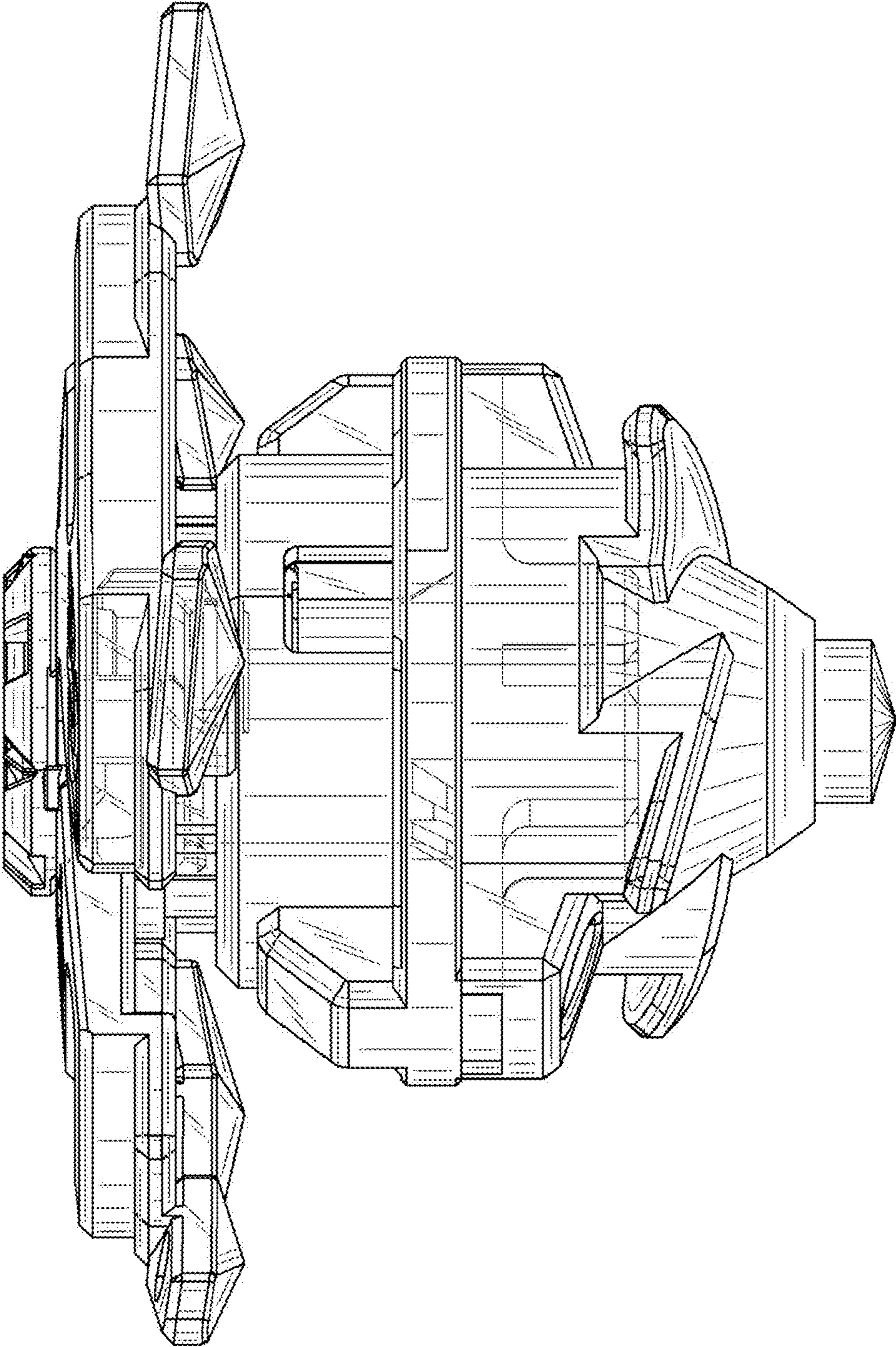


FIG. 9

