



US00D827044S

(12) **United States Design Patent**  
**Horikoshi**

(10) **Patent No.:** **US D827,044 S**

(45) **Date of Patent:** **\*\* Aug. 28, 2018**

(54) **SPINNING TOP TOY**

(71) Applicant: **TOMY COMPANY, LTD.**, Tokyo (JP)

(72) Inventor: **Kenji Horikoshi**, Tokyo (JP)

(73) Assignee: **TOMY COMPANY, LTD.**, Tokyo (JP)

(\*\*) Term: **15 Years**

(21) Appl. No.: **29/620,726**

(22) Filed: **May 12, 2017**

(30) **Foreign Application Priority Data**

Jan. 24, 2017 (JP) ..... 2017-001115

(51) **LOC (11) Cl.** ..... **21-01**

(52) **U.S. Cl.**  
USPC ..... **D21/460**

(58) **Field of Classification Search**  
USPC ..... 446/34, 46-48, 217, 218, 235-245,  
446/246-256, 257-266, 429, 430, 435,  
446/450-453, 486, 487, 489-491;  
D21/385, 390, 398, 436, 441-444,  
D21/453-457, 458-464, 561-563, 578,  
D21/585, 592; 273/147, 317  
CPC .... A63H 1/00; A63H 1/04; A63H 1/22; A63F  
9/16

See application file for complete search history.

(56) **References Cited**

**U.S. PATENT DOCUMENTS**

D408,466 S *	4/1999	Mintchenko	.....	D21/436
D608,842 S *	1/2010	Nishimoto	.....	D21/460
D610,209 S *	2/2010	Nishimoto	.....	D21/460
D614,245 S *	4/2010	Ujita	.....	D21/460
D615,134 S *	5/2010	Nishimoto	.....	D21/460
D615,602 S *	5/2010	Nishimoto	.....	D21/460
D629,051 S *	12/2010	Nishimoto	.....	D21/460
D629,468 S *	12/2010	Ujita	.....	D21/460
D629,469 S *	12/2010	Nishimoto	.....	D21/460
D629,847 S *	12/2010	Ujita	.....	D21/460

D629,848 S *	12/2010	Ujita	.....	D21/460
D639,348 S *	6/2011	Ujita	.....	D21/460
D639,869 S *	6/2011	Nishimoto	.....	D21/460
D660,918 S *	5/2012	Ujita	.....	D21/460
D662,556 S *	6/2012	Horikoshi	.....	D21/460

(Continued)

**OTHER PUBLICATIONS**

Amazon, "Beyblade Burst B-95 Random . . .", Oct. 23, 2017.  
[https://www.amazon.com/Beyblade-Random-Booster-Shelter-Regulus-5S-Tw/product-reviews/B075KFUSX/ref=cm\\_cr\\_getr\\_d\\_paging\\_btm\\_6?ie=UTF8&reviewerType=all\\_reviews&sortBy=recent&pageNumber=6](https://www.amazon.com/Beyblade-Random-Booster-Shelter-Regulus-5S-Tw/product-reviews/B075KFUSX/ref=cm_cr_getr_d_paging_btm_6?ie=UTF8&reviewerType=all_reviews&sortBy=recent&pageNumber=6)  
(Year: 2017).\*

*Primary Examiner* — Cynthia Ramirez

*Assistant Examiner* — Michael A Maharajh

(74) *Attorney, Agent, or Firm* — Staas & Halsey LLP

(57) **CLAIM**

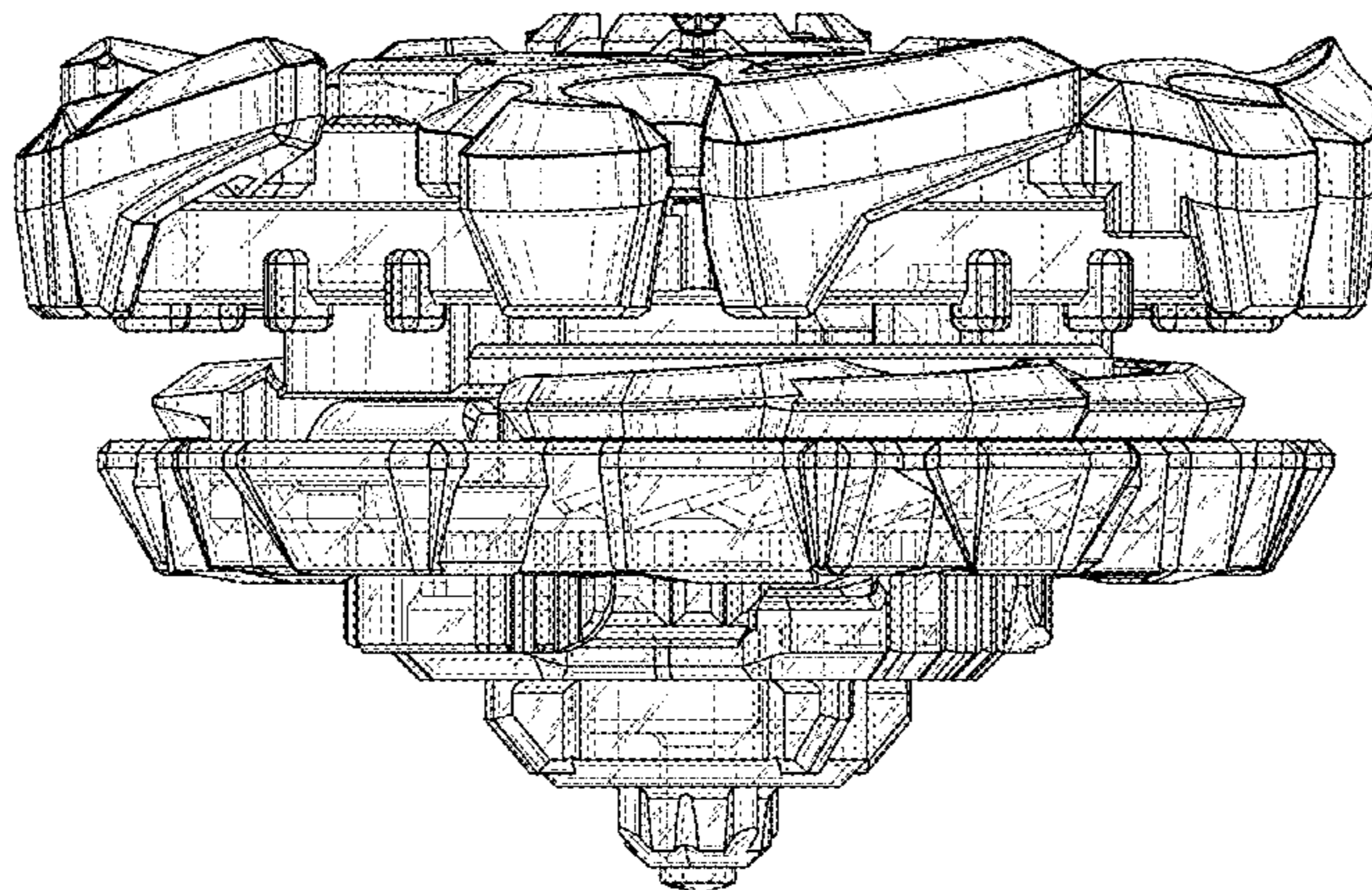
I claim the ornamental design for a spinning top toy, as shown and described.

**DESCRIPTION**

FIG. 1 is a front view of the spinning top toy showing my design;  
FIG. 2 is a left side view thereof;  
FIG. 3 is a rear view thereof;  
FIG. 4 is right side view thereof;  
FIG. 5 is a top view thereof;  
FIG. 6 is a bottom view thereof;  
FIG. 7 is a perspective view thereof;  
FIG. 8 is a side view showing only the transparent parts for convenience of illustration; and,  
FIG. 9 is a top view of the uppermost transparent part, apart from the rest of the spinning top toy, shown for convenience of illustration.

The broken lines shown in the figures are for the purpose of illustrating portions of the spinning top toy, which form no part of the claimed design.

**1 Claim, 9 Drawing Sheets**



(56)

**References Cited**

U.S. PATENT DOCUMENTS

D665,858	S *	8/2012	Horikoshi	.....	D21/460
D665,859	S *	8/2012	Horikoshi	.....	D21/460
D666,252	S *	8/2012	Ujita	.....	D21/460
D666,253	S *	8/2012	Ujita	.....	D21/460
D667,894	S *	9/2012	Horikoshi	.....	D21/460
9,737,821	B1 *	8/2017	Horikoshi	.....	A63H 1/18
9,849,395	B1 *	12/2017	Muraki	.....	A63H 1/02
2002/0102907	A1 *	8/2002	Osawa	.....	A63H 1/00
					446/256
2011/0006479	A1 *	1/2011	Ujita	.....	A63H 1/16
					273/147
2011/0256795	A1 *	10/2011	Ujita	.....	A63H 1/00
					446/264
2011/0256796	A1 *	10/2011	Ujita	.....	A63H 1/00
					446/264
2014/0302743	A1 *	10/2014	Cai	.....	A63H 1/18
					446/256
2016/0151716	A1 *	6/2016	Nagai	.....	A63H 29/22
					446/237
2016/0220912	A1 *	8/2016	Cai	.....	A63H 1/00
2016/0228778	A1 *	8/2016	Cai	.....	A63H 1/00
2017/0173477	A1 *	6/2017	Shindo	.....	A63H 1/04
2017/0203218	A1 *	7/2017	Muraki	.....	A63H 1/00

\* cited by examiner

FIG. 1

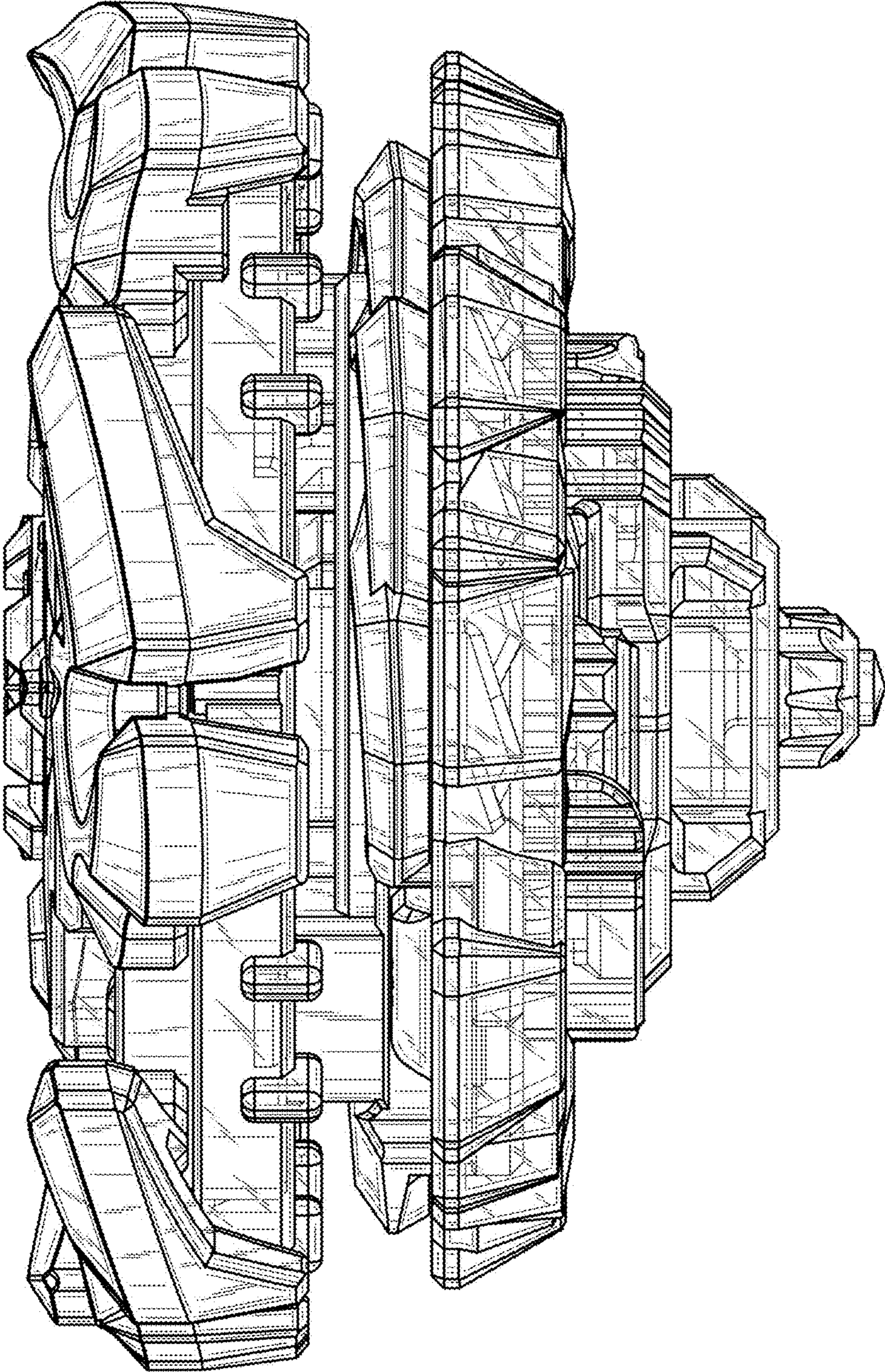


FIG. 2

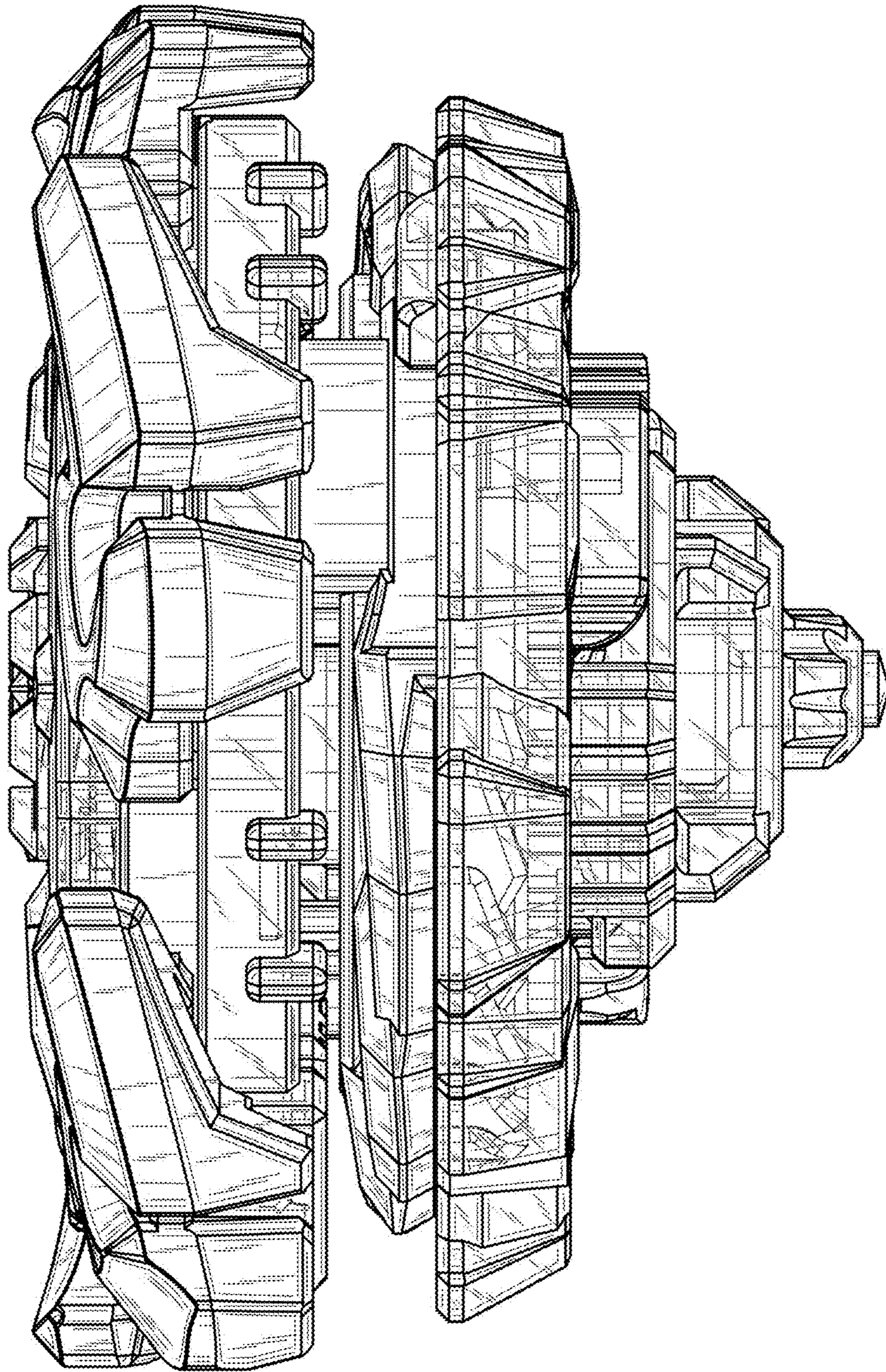


FIG. 3

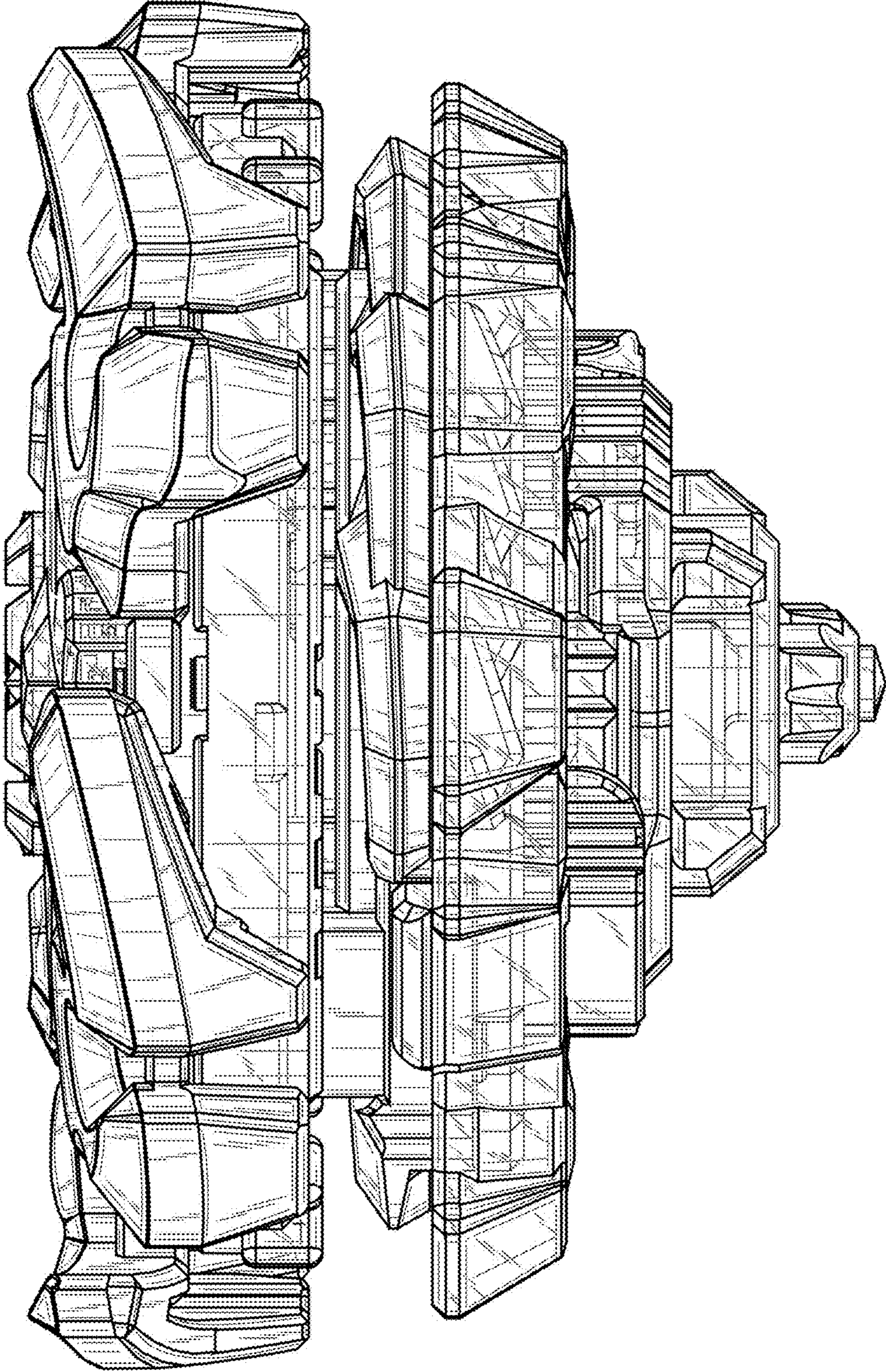
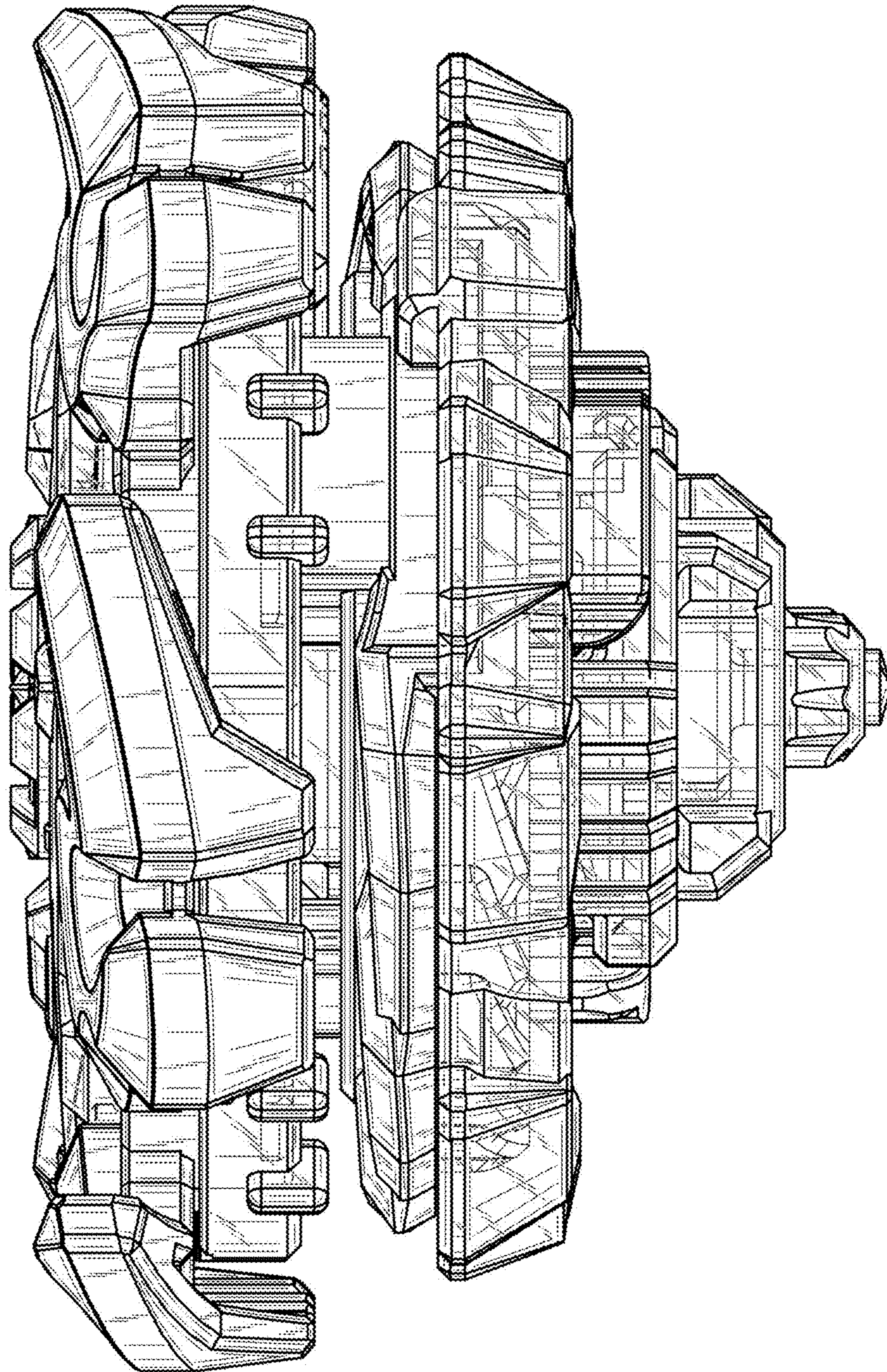


FIG. 4



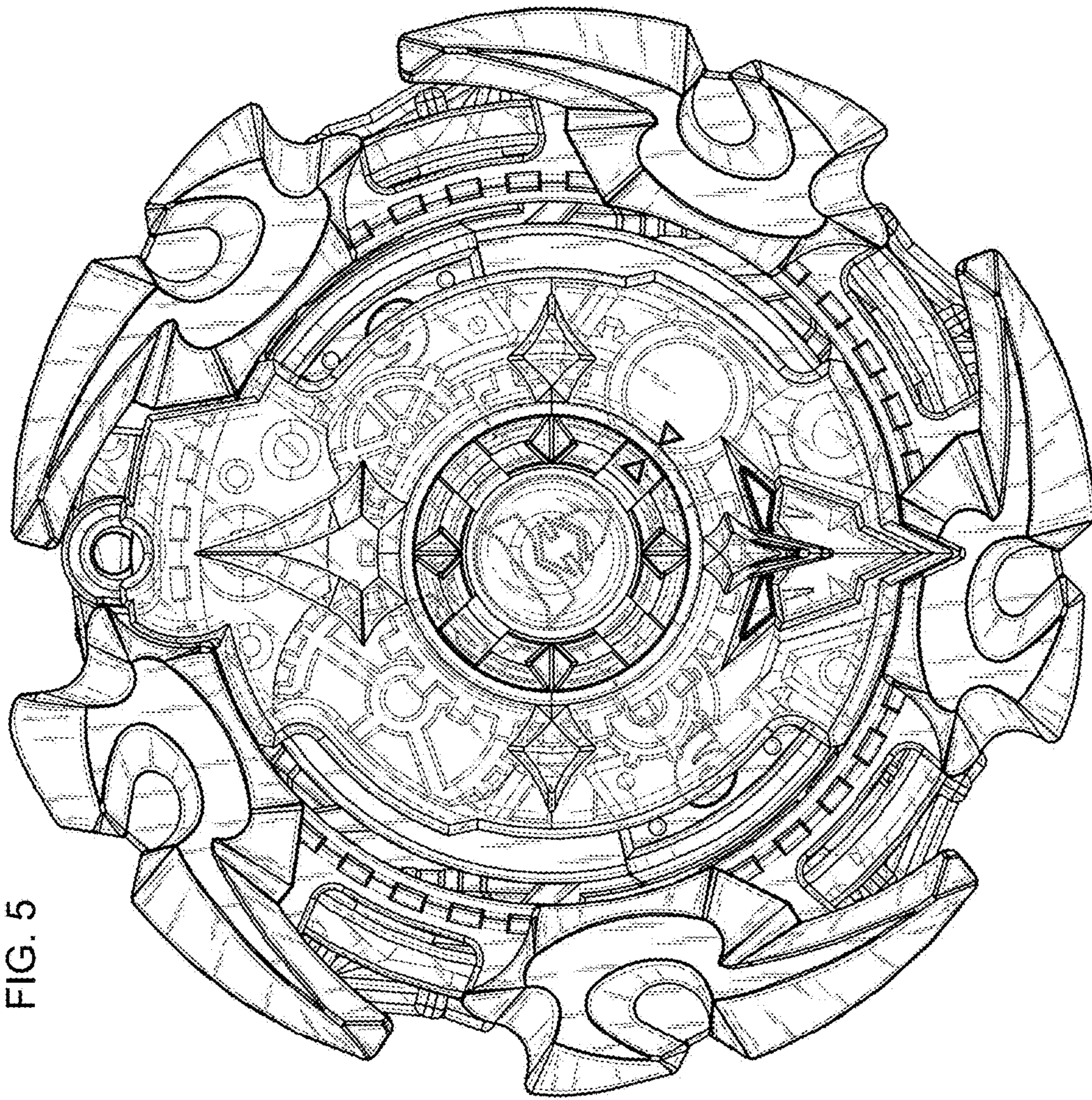


FIG. 5

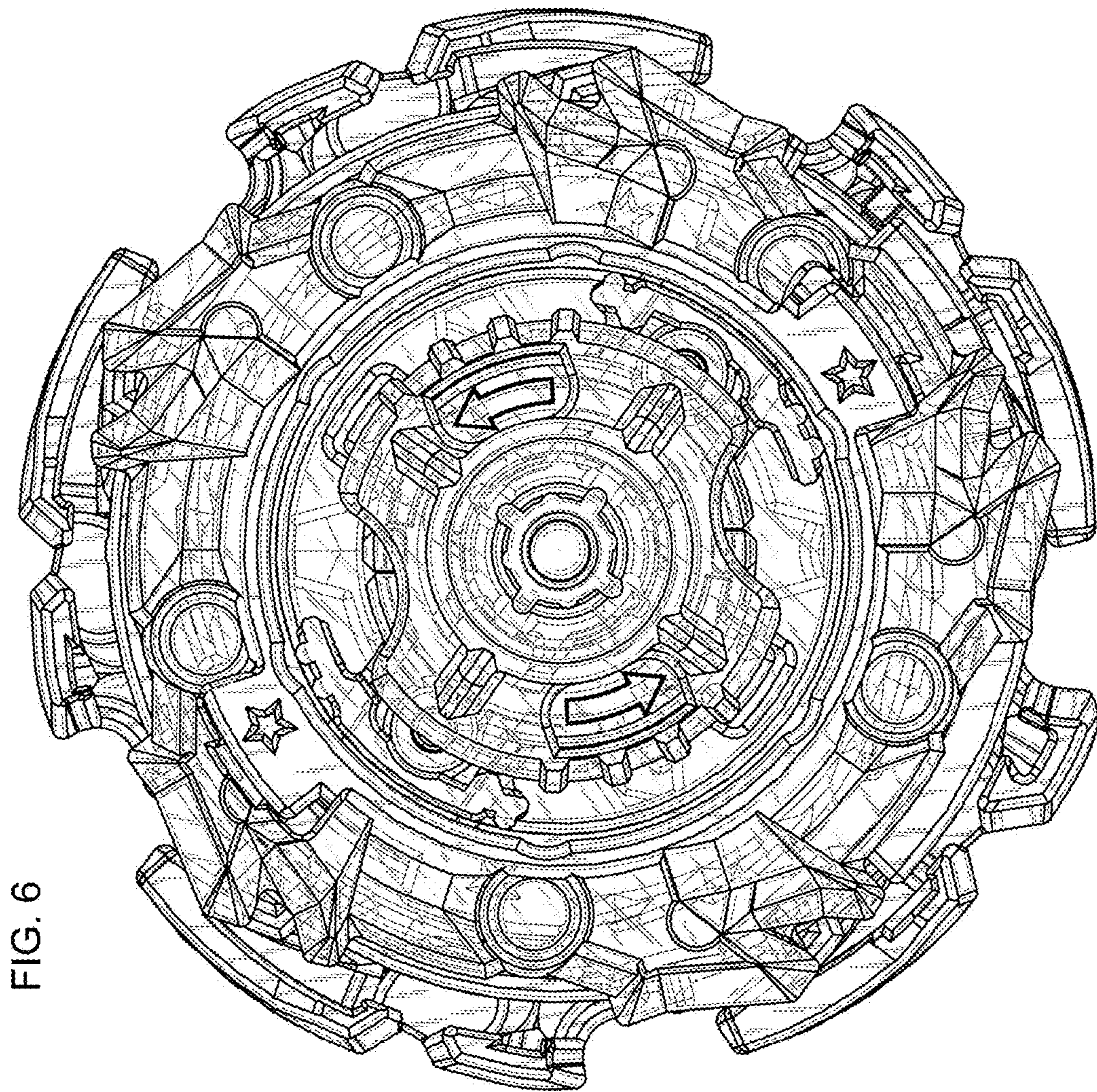


FIG. 6



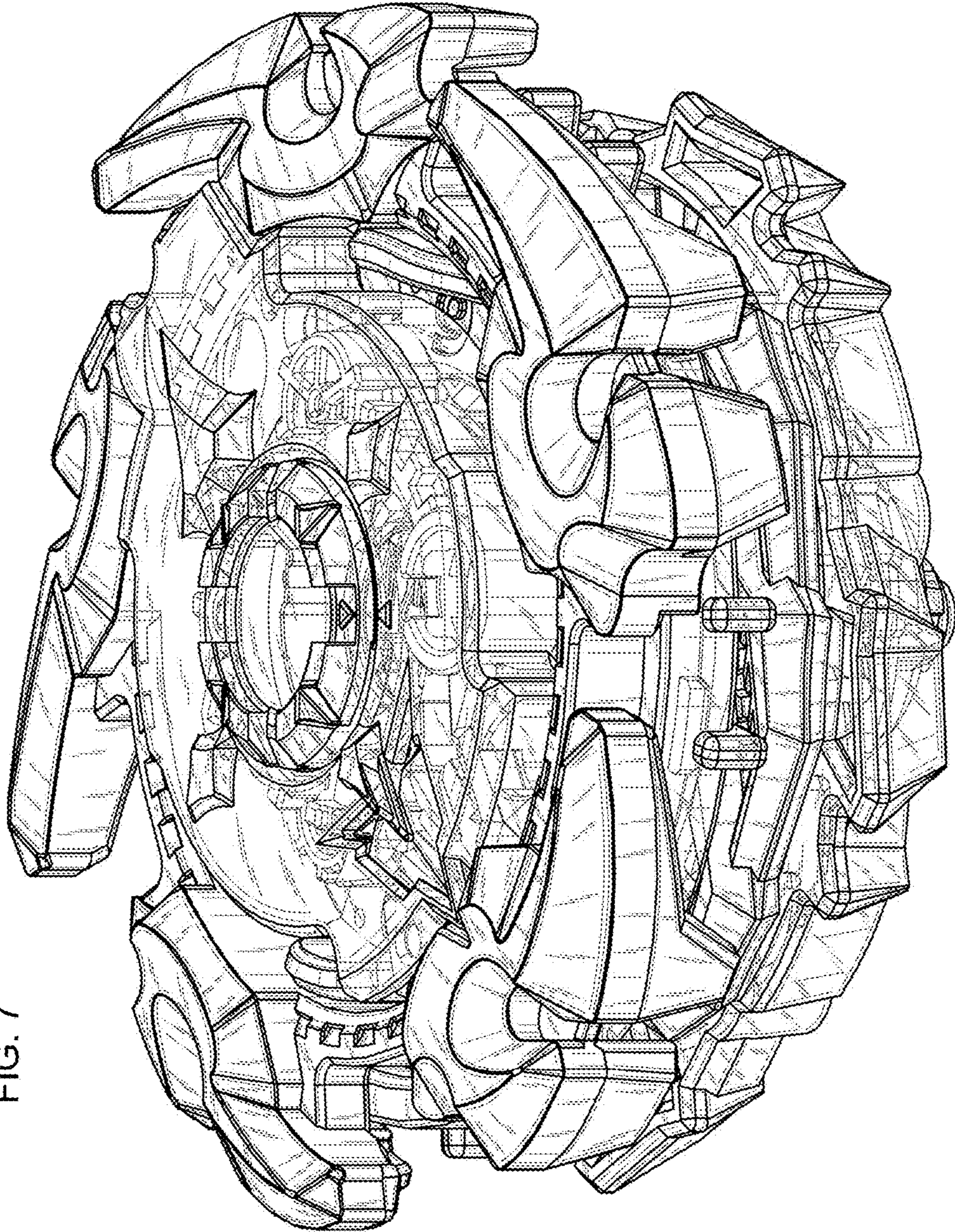


FIG. 7

FIG. 8

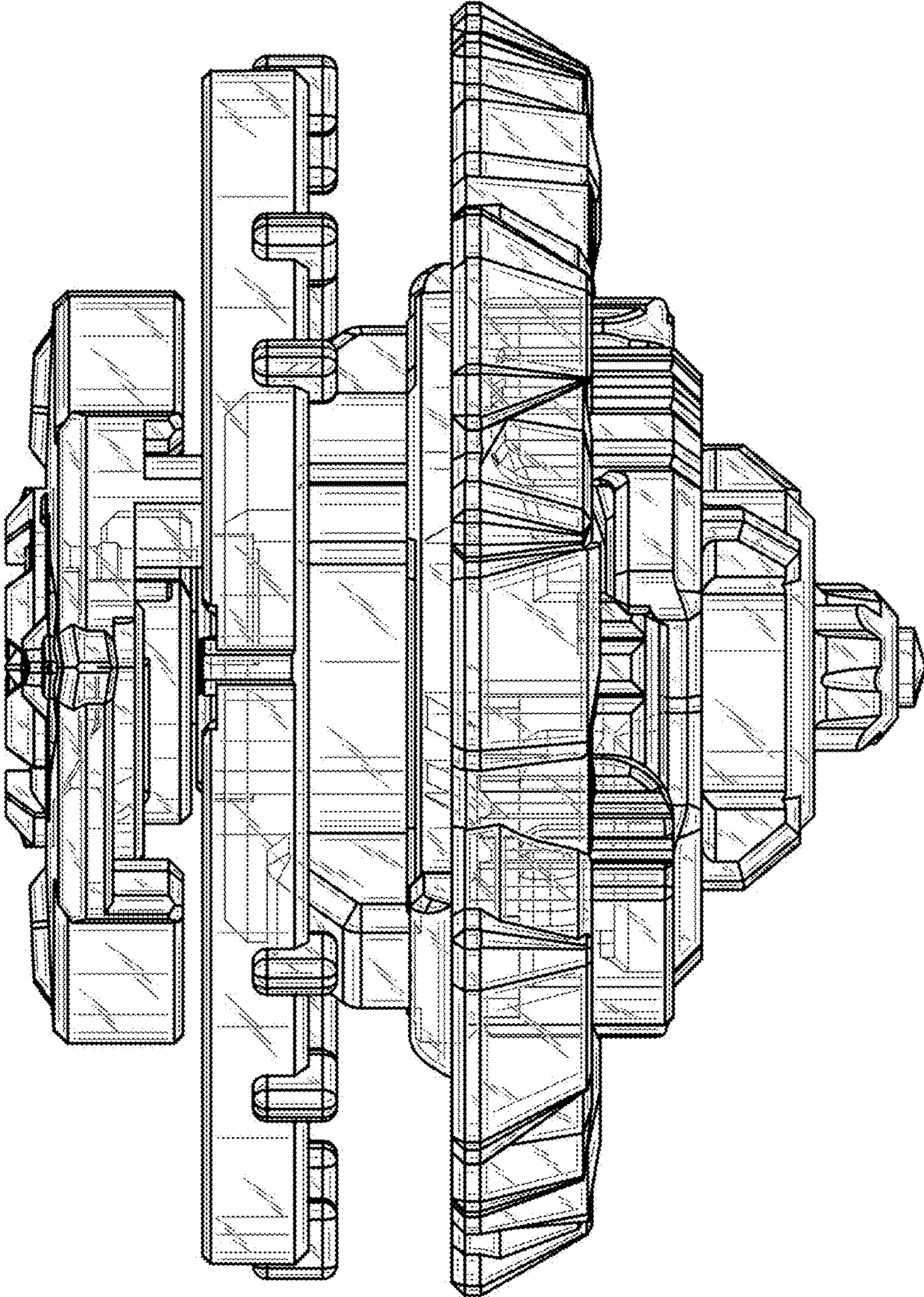


FIG. 9

