



US00D827042S

(12) **United States Design Patent**
Weissman

(10) **Patent No.:** **US D827,042 S**

(45) **Date of Patent:** **** Aug. 28, 2018**

- (54) **SPINNING TOY**
- (71) Applicant: **Chaim Weissman**, Chestnut Ridge, NY (US)
- (72) Inventor: **Chaim Weissman**, Chestnut Ridge, NY (US)
- (**) Term: **15 Years**
- (21) Appl. No.: **29/603,527**
- (22) Filed: **May 10, 2017**
- (51) **LOC (11) Cl.** **21-01**
- (52) **U.S. Cl.**
USPC **D21/455**
- (58) **Field of Classification Search**
USPC D21/386, 387, 398, 441, 443, 455-466, D21/468, 473-477, 543, 563, 707, 710; D30/160; D8/300, 307, 310, 312, DIG. 2, D8/DIG. 3; D23/238, 245, 250, 252, 253; 446/236-266, 431, 450-453, 201, 217, 446/218, 487, 489, 36-48
CPC A63H 1/00-1/32
See application file for complete search history.

- 3,876,205 A * 4/1975 Drohomirecky A63H 1/00 124/4
- D252,584 S * 8/1979 Raz D23/252
- D276,056 S * 10/1984 Chatani D21/475
- D317,333 S * 6/1991 Thomson D21/474
- D369,837 S * 5/1996 Kino 446/166
- 6,120,342 A * 9/2000 Chan A63H 1/32 446/247
- D545,510 S * 6/2007 Viola D30/160
- D657,654 S * 4/2012 Matsumiya D8/312
- D738,439 S * 9/2015 Kanbar D21/493
- D801,440 S * 10/2017 Pavelsky D21/455
- 9,895,620 B1 * 2/2018 Walterscheid A63H 1/24
- 2007/0049161 A1 * 3/2007 Perry A63H 1/00 446/450

FOREIGN PATENT DOCUMENTS

- DE 202017103662 U1 * 9/2017 A63H 1/00
- FR 1557121 A * 2/1969 A63H 1/32
- GB 184750 A * 8/1922 A63F 5/04

* cited by examiner

Primary Examiner — Catherine A Tuttle
(74) *Attorney, Agent, or Firm* — Myers Wolin, LLC

(57) **CLAIM**

The ornamental design for a spinning toy, as shown and described.

DESCRIPTION

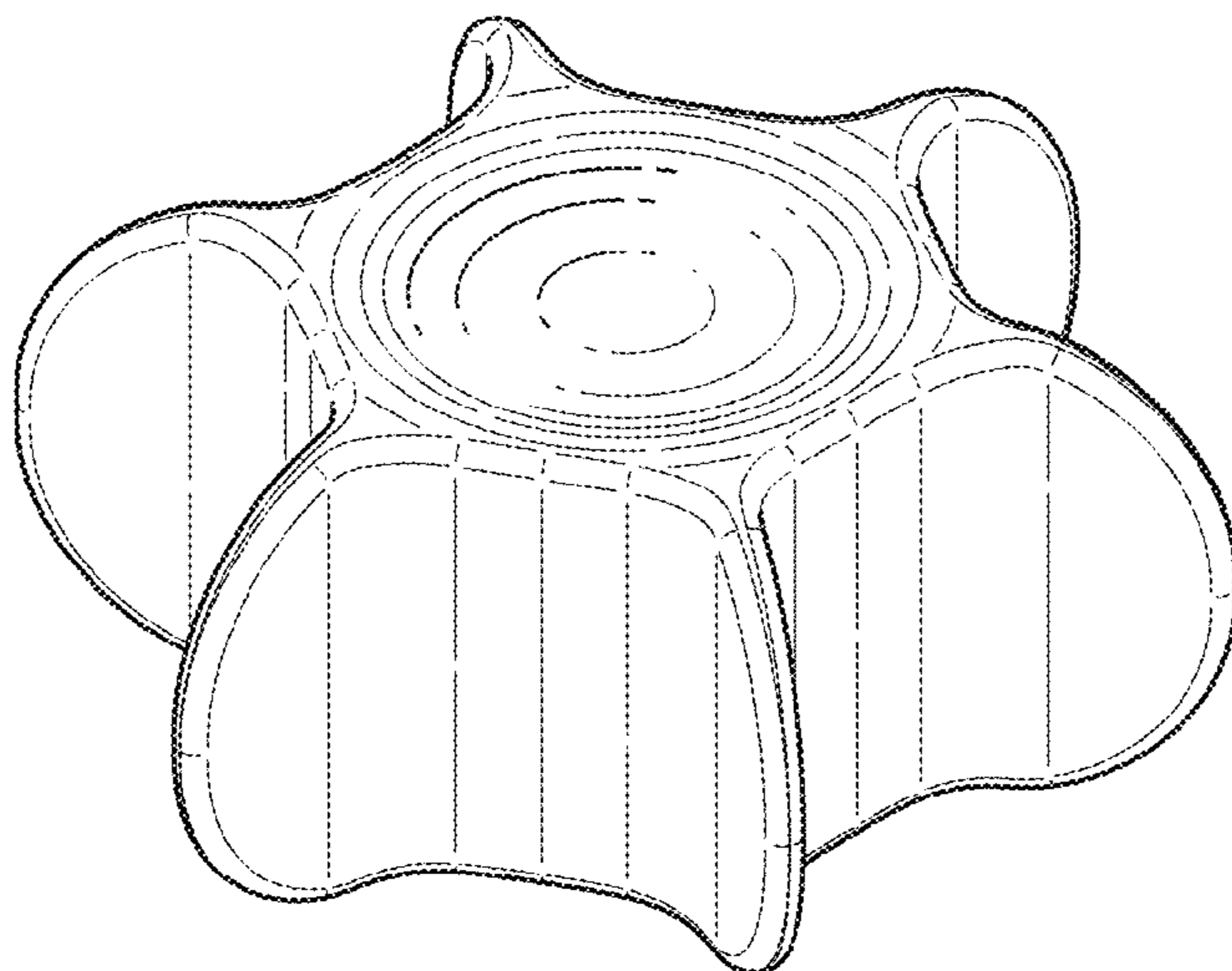
FIG. 1 is a perspective view of a spinning toy showing my new design;
FIG. 2 is a side view thereof from a first angle, the opposite side being identical thereto;
FIG. 3 is a side view thereof from a second angle at a 90° rotation from the first angle, the opposite side being identical thereto;
FIG. 4 is a top view thereof, the bottom being identical thereto; and,
FIG. 5 is a cross-section taken along line 5-5 of FIG. 4.

1 Claim, 1 Drawing Sheet

(56) **References Cited**

U.S. PATENT DOCUMENTS

- 396,295 A * 1/1889 Schofield A63H 33/40 446/205
- D26,325 S * 11/1896 Scharles 446/166
- D27,044 S * 5/1897 Quinn D21/455
- D39,269 S * 4/1908 Jansen 74/553
- 1,798,052 A * 3/1931 Additon B60Q 1/50 116/63 P
- D101,826 S * 11/1936 Sinko D12/179
- 2,297,489 A * 9/1942 Markes A63H 17/262 403/359.5
- D146,273 S * 1/1947 Weinberger D21/463
- D146,509 S * 3/1947 Larsen, Jr. D21/543
- D155,015 S * 8/1949 Krapp 102/359
- D156,773 S * 1/1950 Schafer 446/236



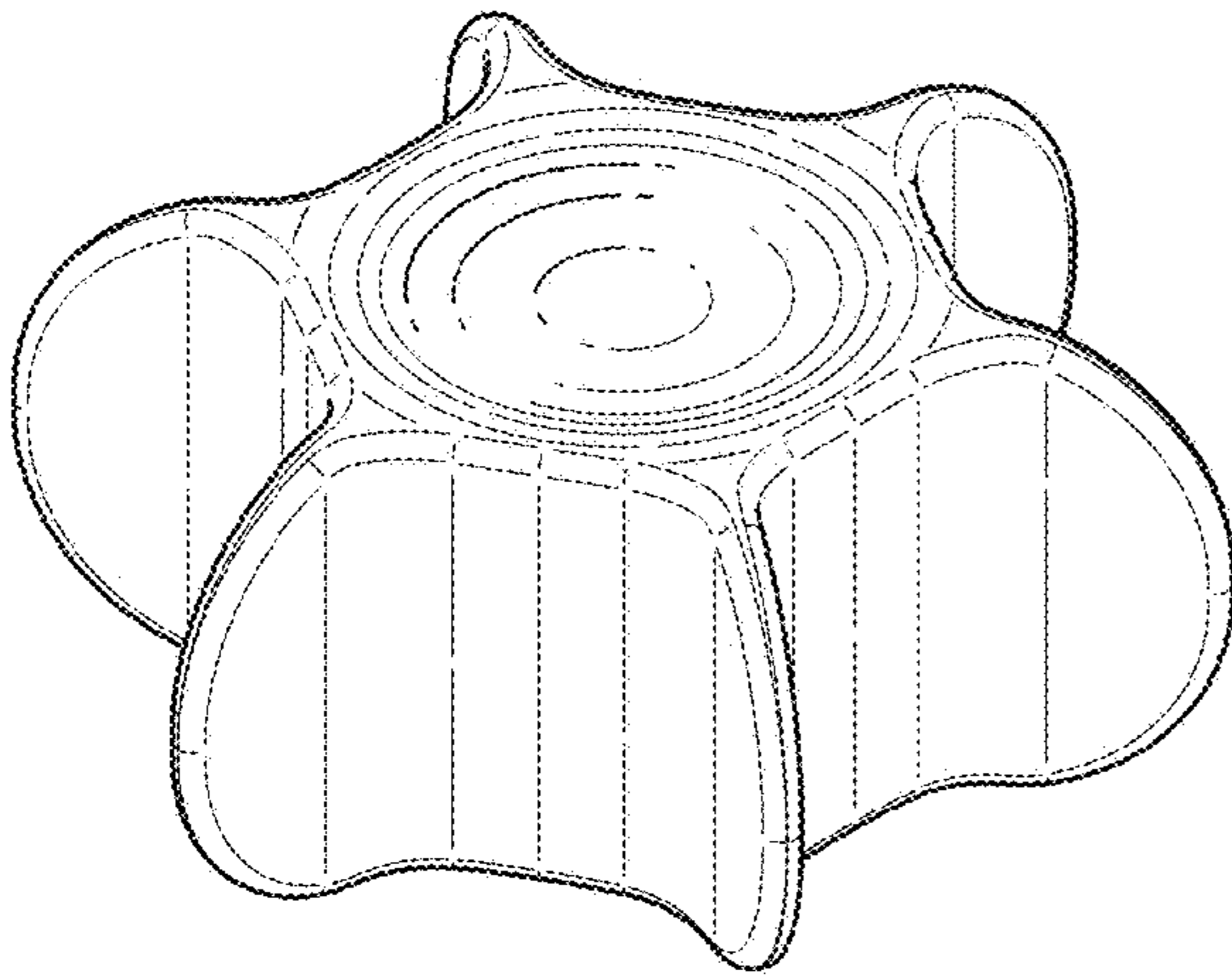


FIG. 1

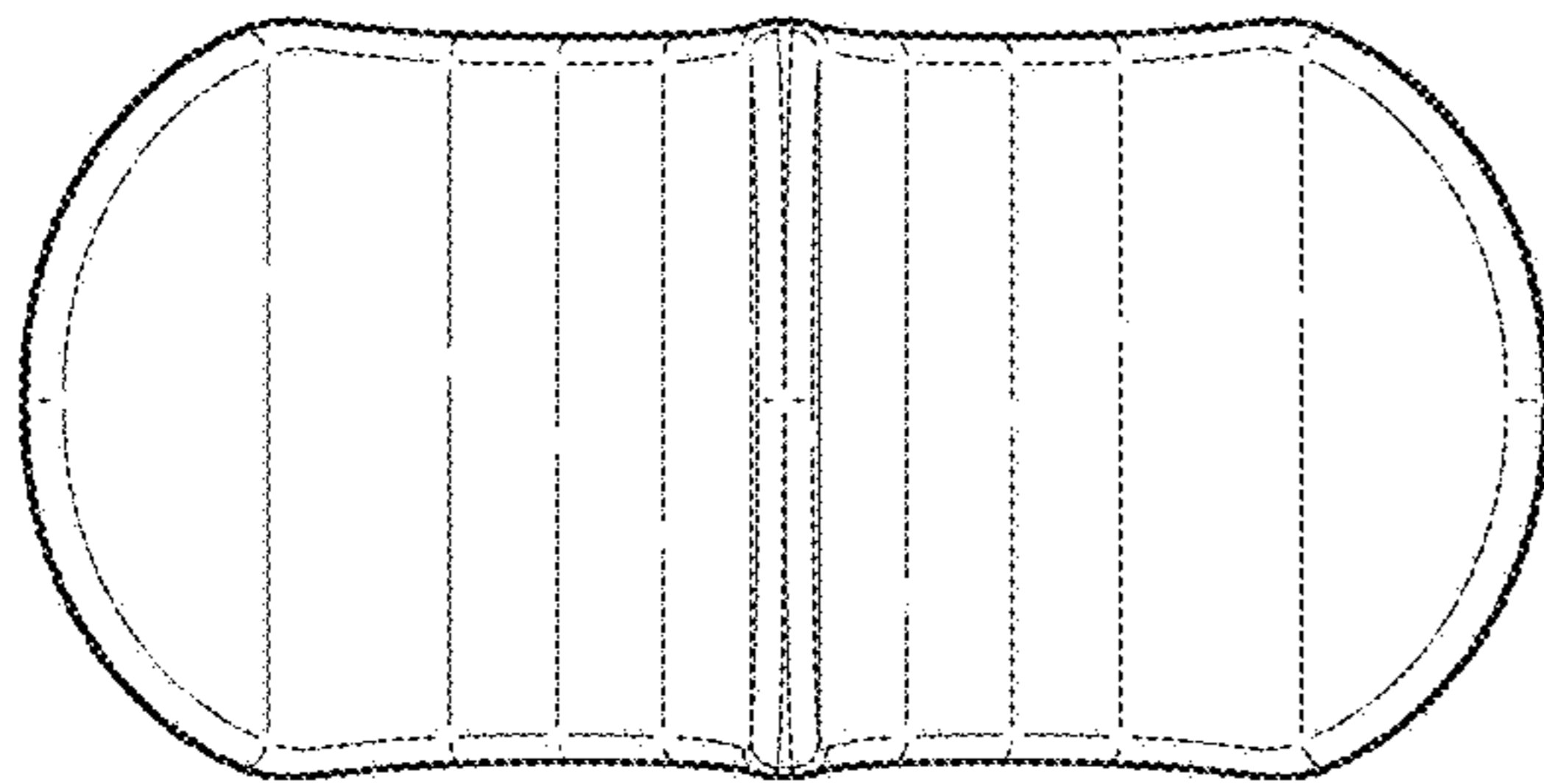


FIG. 2

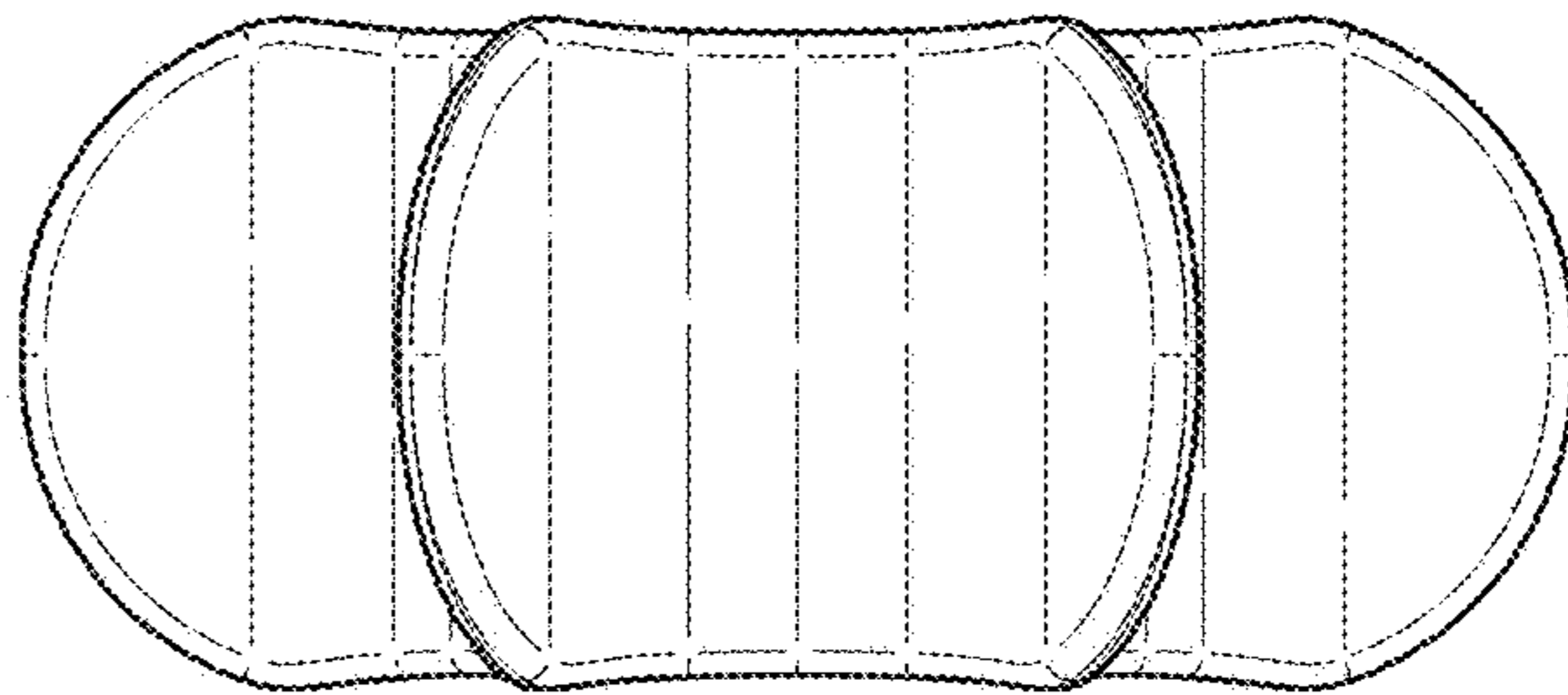


FIG. 3

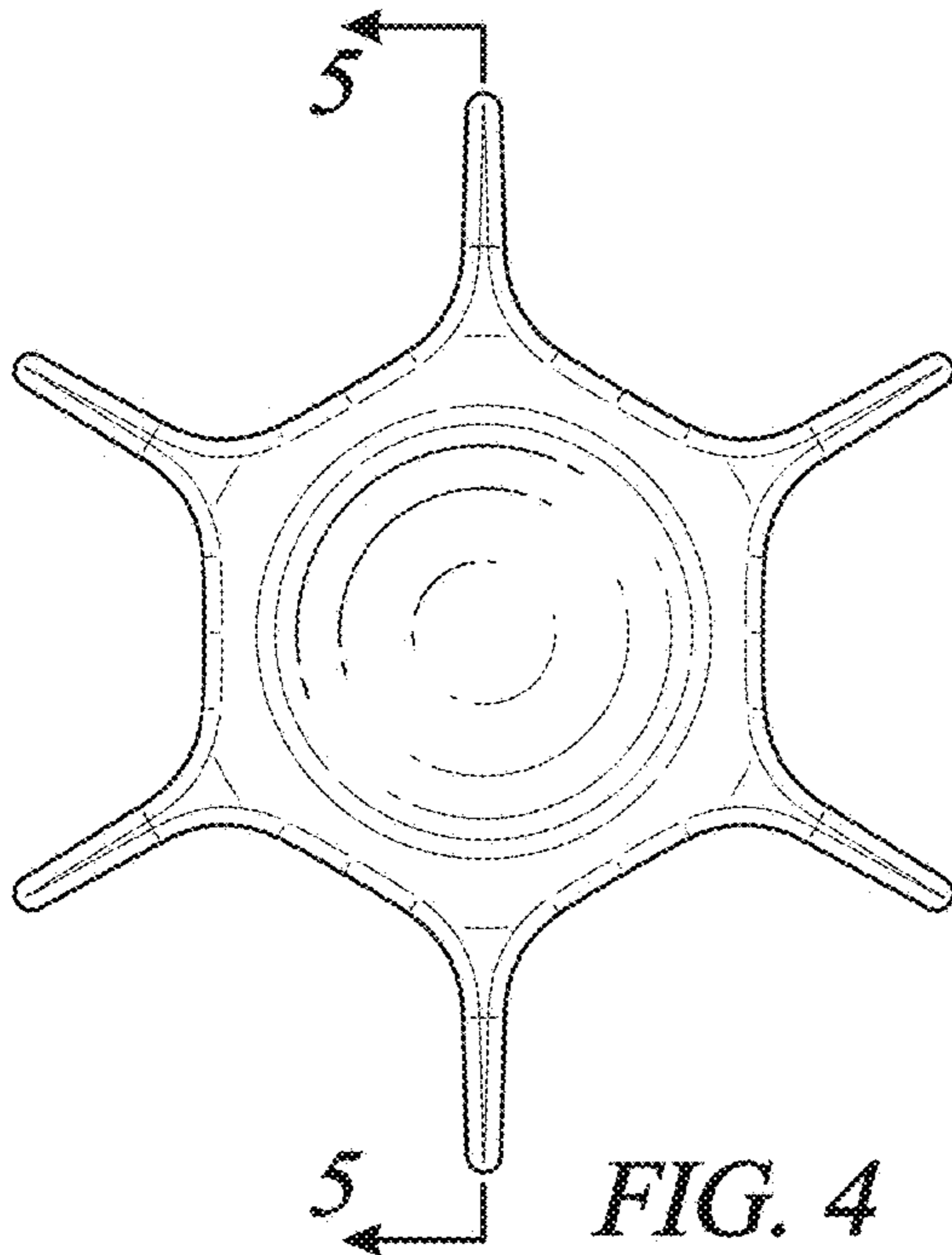


FIG. 4

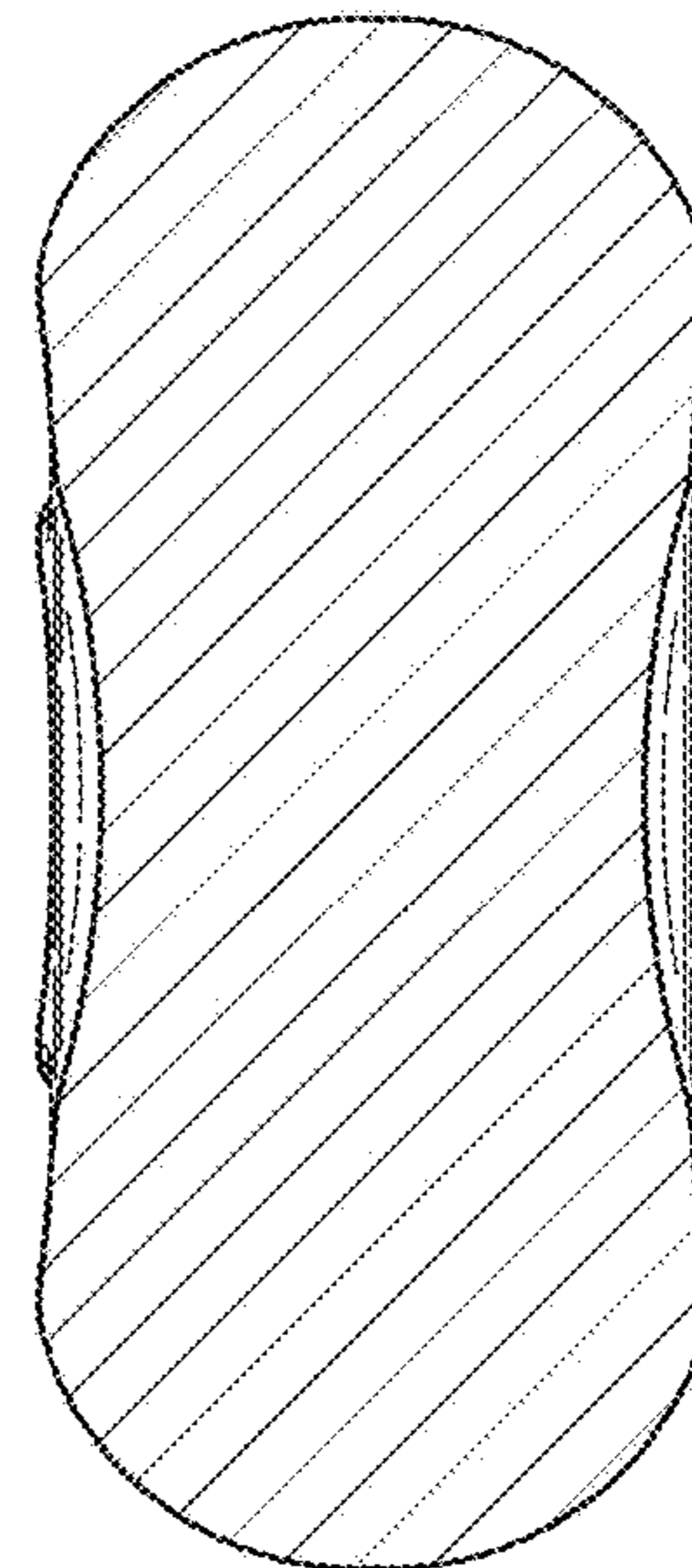


FIG. 5