



US00D827041S

(12) **United States Design Patent** (10) **Patent No.:** **US D827,041 S**
Brand (45) **Date of Patent:** **** Aug. 28, 2018**

(54) **TOY ROCKET**

FOREIGN PATENT DOCUMENTS

(71) Applicant: **KIDS II, INC.**, Atlanta, GA (US)

EM 000523626-0001 6/2006

(72) Inventor: **Sarah Rose Brand**, Atlanta, GA (US)

EP 1870351 A1 12/2007

WO 2011057203 A2 5/2011

(73) Assignee: **KIDS II, INC.**, Atlanta, GA (US)

OTHER PUBLICATIONS

(**) Term: **15 Years**

Oball Rattle & Ratchet Rocket by Toys R Us. dated 2018. found online [Jan. 31, 2018] https://www.toysrus.com/product?productId=4E770696&source=CAPLA_Df:4E770696:TRUS&cagpspn=plat_4E770696&camp=PLAPPCG--PID4E770696:TRUS&gclid=EAlalQobChMl9sbZisGD2QIVhAOGCh2lkwIUEAQYASABEgLql_D_BwE.*

(21) Appl. No.: **29/603,211**

(22) Filed: **May 8, 2017**

(51) **LOC (11) Cl.** **21-01**

(52) **U.S. Cl.**
USPC **D21/452**

(58) **Field of Classification Search**

USPC D12/16.1, 319, 325, 326, 327, 328,
D12/329-345; D21/436, 441, 442, 443,
D21/444, 445-453
CPC B64C 39/024; B64C 2201/141; B64C
2201/00; B64C 2201/108

See application file for complete search history.

(Continued)

Primary Examiner — Brandon M Rosati

Assistant Examiner — Marissa J Cash

(74) *Attorney, Agent, or Firm* — Gardner Groff
Greenwald & Villanueva, PC

(56) **References Cited**

U.S. PATENT DOCUMENTS

180,196 A 7/1876 Butler
183,209 A 10/1876 Rich
449,146 A 3/1891 Watrous
693,064 A 2/1902 Proben et al.
1,077,340 A 11/1913 Graham
1,188,904 A 6/1916 Cosgriff
1,319,297 A 10/1919 Limacher
1,429,198 A 9/1922 Fawcett
1,457,360 A 6/1923 Gilbert
1,626,425 A 4/1927 Pelsue
2,006,230 A 6/1935 Dobbins
2,211,102 A 8/1940 Davis
2,211,330 A 8/1940 Hochberg
2,270,553 A 1/1942 Potito
2,310,515 A 2/1943 Chester
D138,150 S 6/1944 Davidson
2,400,981 A 5/1946 Dishmaker
2,499,483 A 3/1950 Foy
2,519,248 A 8/1950 Hulbert

(Continued)

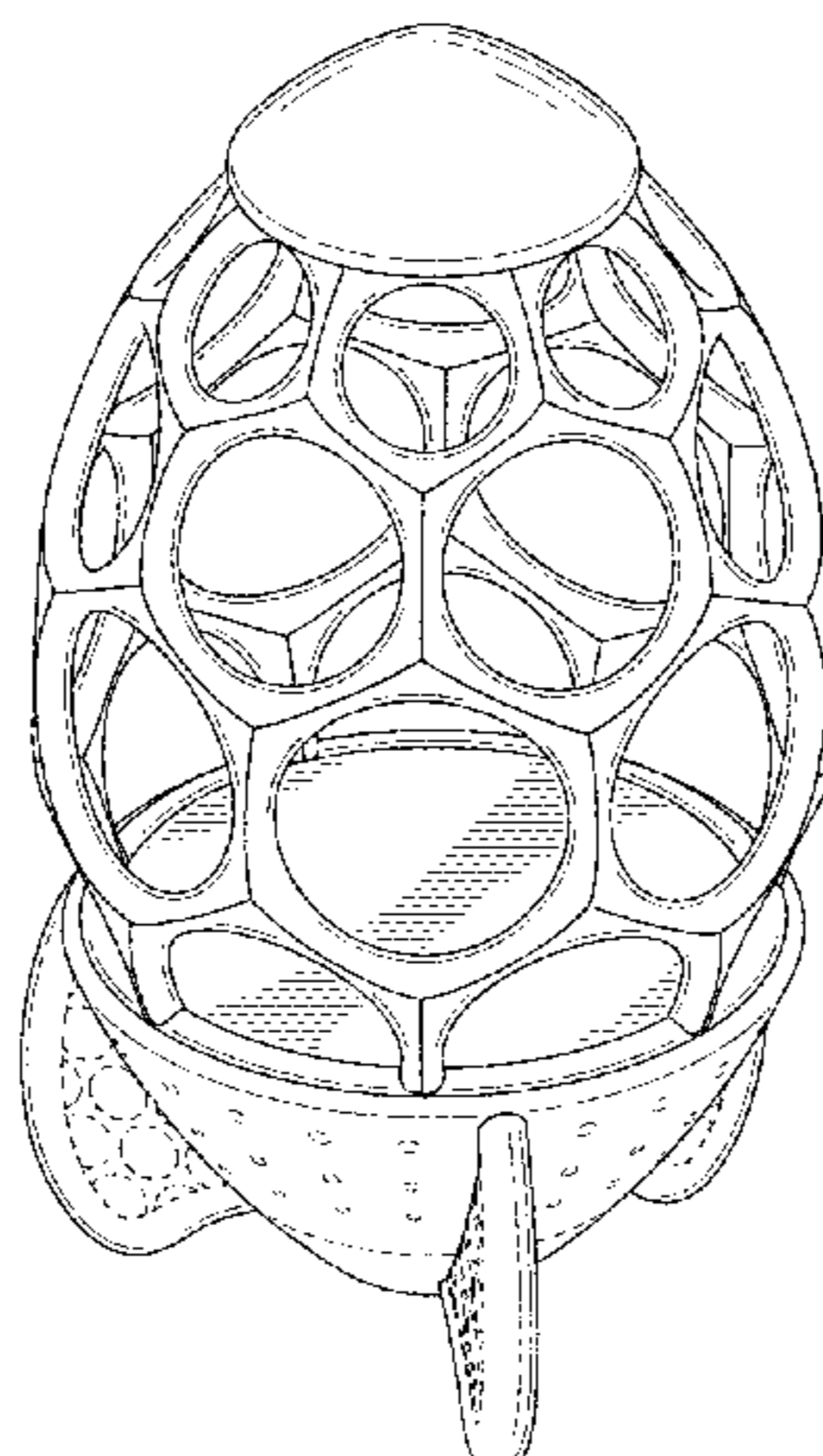
(57) **CLAIM**

The ornamental design for a toy rocket, substantially as shown and described.

DESCRIPTION

FIG. 1 is a top perspective view of a toy rocket; FIG. 2 is a front view of the toy rocket of FIG. 1; FIG. 3 is a rear view of the toy rocket of FIG. 1; FIG. 4 is a right side view of the toy rocket of FIG. 1; FIG. 5 is a left side view of the toy rocket of FIG. 1; FIG. 6 is a top view of the toy rocket of FIG. 1; and, FIG. 7 is a bottom view of the toy rocket of FIG. 1. In the drawings, the claimed design is defined by the shaded surfaces; broken lines immediately adjacent shaded surfaces represent boundaries of the claim and form no part thereof; all other broken lines depict unclaimed environmental subject matter and form no part of the claim.

1 Claim, 3 Drawing Sheets



(56)

References Cited

U.S. PATENT DOCUMENTS

2,687,302 A 8/1954 Stiegler
 2,717,473 A 9/1955 Moore
 2,742,771 A 4/1956 Negaard
 2,770,915 A 11/1956 Hicks
 D181,599 S * 12/1957 Nelson D12/330
 2,937,475 A 5/1960 Crawford
 3,018,583 A 1/1962 Novotney
 3,046,016 A 7/1962 Laws
 3,154,882 A 11/1964 Bossiere
 3,274,596 A 9/1966 Raabe
 3,276,148 A 10/1966 Snelson
 3,483,907 A 12/1969 Corridon
 3,531,009 A 9/1970 Saperstein
 3,571,970 A 3/1971 Dunn et al.
 3,603,023 A 9/1971 McHugh
 3,633,587 A 1/1972 Hunt
 3,691,704 A 9/1972 Novak
 3,758,116 A 9/1973 Pieronek
 3,768,202 A 10/1973 Wheelock
 3,777,392 A 12/1973 Span et al.
 3,841,039 A 10/1974 Farnsworth, III
 3,866,348 A 2/1975 Roby et al.
 3,889,950 A 6/1975 Kasravi
 3,913,879 A 10/1975 Wright, Jr.
 3,959,937 A 6/1976 Spunt
 4,088,319 A 5/1978 Clarke
 4,128,909 A 12/1978 Kawabe et al.
 4,213,266 A 7/1980 Hyland et al.
 4,274,224 A 7/1981 Pugh et al.
 4,282,679 A 8/1981 Grubb et al.
 4,309,852 A 1/1982 Stolpin
 D265,488 S * 7/1982 Appel D21/447
 4,381,620 A 5/1983 Panzarella
 4,403,441 A 9/1983 White et al.
 4,476,649 A 10/1984 Zaruba
 4,514,995 A 5/1985 Curtis et al.
 4,579,538 A 4/1986 Bass et al.
 D284,493 S 7/1986 King
 4,610,637 A 9/1986 Ferguson
 D287,988 S 1/1987 Billingham
 4,637,941 A 1/1987 Rochte
 4,645,471 A 2/1987 Herring et al.
 4,778,429 A 10/1988 Todokoro
 4,813,674 A 3/1989 Lorhpiapat
 4,836,787 A 6/1989 Boo
 4,869,701 A 9/1989 Kawai et al.
 4,883,441 A 11/1989 Byer
 4,929,216 A 5/1990 Morris et al.
 4,941,579 A 7/1990 Lee
 5,104,125 A 4/1992 Wilson
 5,174,580 A 12/1992 Pratt
 5,195,917 A 3/1993 Russell et al.
 D336,317 S 6/1993 Thomson et al.
 5,219,162 A 6/1993 Orbanes et al.
 5,224,959 A 7/1993 Kasper
 5,236,196 A 8/1993 Blankenburg et al.
 D340,991 S 11/1993 Clements
 D346,844 S * 5/1994 D'Andrade D21/452
 5,309,586 A 5/1994 Sies et al.
 D352,753 S 11/1994 Giannini et al.
 5,364,348 A 11/1994 Berry, Sr.
 5,411,262 A 5/1995 Smith
 D359,327 S 6/1995 Gould
 5,449,174 A 9/1995 Criner
 5,451,436 A 9/1995 Shelleman
 D366,288 S 1/1996 Kino
 5,611,721 A 3/1997 Hoeting et al.
 D379,206 S 5/1997 Meffert
 5,759,083 A 6/1998 Polumbaum et al.
 5,766,701 A 6/1998 Lee
 5,772,204 A 6/1998 Phelps
 5,788,554 A 8/1998 Goodwin et al.
 5,853,313 A 12/1998 Zheng
 D431,846 S * 10/2000 Le Porcher D21/452
 D437,010 S 1/2001 Meys

6,203,393 B1 3/2001 Flynn
 6,279,984 B1 8/2001 Reina, Jr.
 D453,571 S 2/2002 Hall
 6,418,673 B1 7/2002 Flowerday
 6,488,556 B2 12/2002 Galomb
 6,517,406 B1 2/2003 Cash
 6,524,272 B1 2/2003 Berry, Sr.
 D477,441 S 7/2003 Willinger et al.
 6,609,944 B1 8/2003 Viola
 D479,897 S 9/2003 Willinger
 D489,494 S 5/2004 Silvergate
 6,729,984 B2 5/2004 Silvergate
 6,769,588 B2 8/2004 Zheng
 D514,263 S 1/2006 Willinger
 7,152,750 B2 12/2006 Coffey
 7,169,120 B2 1/2007 Murdock et al.
 D539,367 S 3/2007 Jones
 D543,593 S * 5/2007 Lapointe D21/452
 D563,609 S 3/2008 Gick
 D582,035 S * 12/2008 Morrison D24/106
 7,520,793 B2 4/2009 Pillai et al.
 D596,248 S * 7/2009 Silvergate D21/398
 7,600,488 B2 10/2009 Mann
 7,662,012 B2 2/2010 Wright
 D621,259 S 8/2010 Joy et al.
 D624,971 S * 10/2010 Cohen D21/452
 7,806,746 B2 10/2010 Walterscheid
 7,867,101 B2 1/2011 Chiang
 7,867,115 B2 1/2011 Zawitz
 7,901,375 B2 3/2011 Dunn et al.
 D635,685 S 4/2011 Hendricks et al.
 D636,949 S 4/2011 Axelrod et al.
 7,931,520 B2 4/2011 Bryce
 D646,792 S 10/2011 Pope
 8,052,552 B2 11/2011 Silvergate
 8,282,518 B2 10/2012 Silvergate et al.
 8,371,899 B1 2/2013 Walterscheid
 D679,339 S * 4/2013 Genovese D12/16.1
 D679,340 S * 4/2013 Genovese D12/16.1
 D688,760 S * 8/2013 Silvergate D21/713
 8,506,345 B2 8/2013 Tigan et al.
 D690,376 S * 9/2013 Silvergate D21/712
 8,579,133 B2 11/2013 Marcus et al.
 D706,361 S * 6/2014 Giovannone, Sr. D12/16.1
 8,764,511 B2 7/2014 Verbera et al.
 8,851,956 B2 10/2014 Niu
 8,932,101 B2 1/2015 Silvergate et al.
 8,998,670 B1 4/2015 De Leon
 9,101,535 B2 8/2015 Silvergate et al.
 9,161,888 B2 10/2015 Lamar
 9,271,552 B2 3/2016 Van Ostenbridge
 9,289,695 B2 3/2016 Sadri et al.
 D767,688 S * 9/2016 Nelson D21/398
 D808,089 S * 1/2018 Wilson D30/160
 2004/0221885 A1 11/2004 Zheng
 2005/0142980 A1 6/2005 Rivero
 2007/0077857 A1 4/2007 Wright
 2008/0032826 A1 2/2008 Mubarak et al.
 2009/0170643 A1 7/2009 Silvergate
 2009/0170645 A1 7/2009 Silvergate
 2010/0179593 A1 * 7/2010 Lamar A61J 17/007
 606/236
 2011/0256797 A1 10/2011 Chernick et al.
 2012/0171924 A1 7/2012 Karnick et al.
 2015/0297955 A1 10/2015 Silvergate et al.
 2015/0328515 A1 11/2015 Prendergast
 2016/0051862 A1 2/2016 Silvergate et al.
 2016/0310856 A1 10/2016 Mitchell et al.
 2017/0007937 A1 1/2017 Elson et al.

OTHER PUBLICATIONS

Binxy (Paci-Sphere) Product Description Document; Sep. 13, 2009; 2 pgs.
 Grab Ball Toy Product Description Document; 2 pgs; Jul. 28, 2001.
 Hol-ee Roller Toy Product Description Document; 2 pgs; Jul. 28, 2001.
 ISA Korean Intellectual Property Office, International Search Report of PCT/US2010/055855; Jul. 27, 2011; 9 pgs.

(56)

References Cited

OTHER PUBLICATIONS

International Search Report for PCT/US2011/023339; 3 pgs; Oct. 27, 2011.

Mother's Cubbard Booth Listing; Sep. 13, 2009; 2 pgs.

Mother's Cubbard Name Tag; Sep. 13, 2009; 2 pgs.

Popko, Edward; Geodesics; Fig. No. 62 of "Bicycle Wheel" Dome; University of Detroit Press; 1 pg.; 1968.

Sportime(R) Fall 2003 Catalog; p. 21; 2003.

* cited by examiner

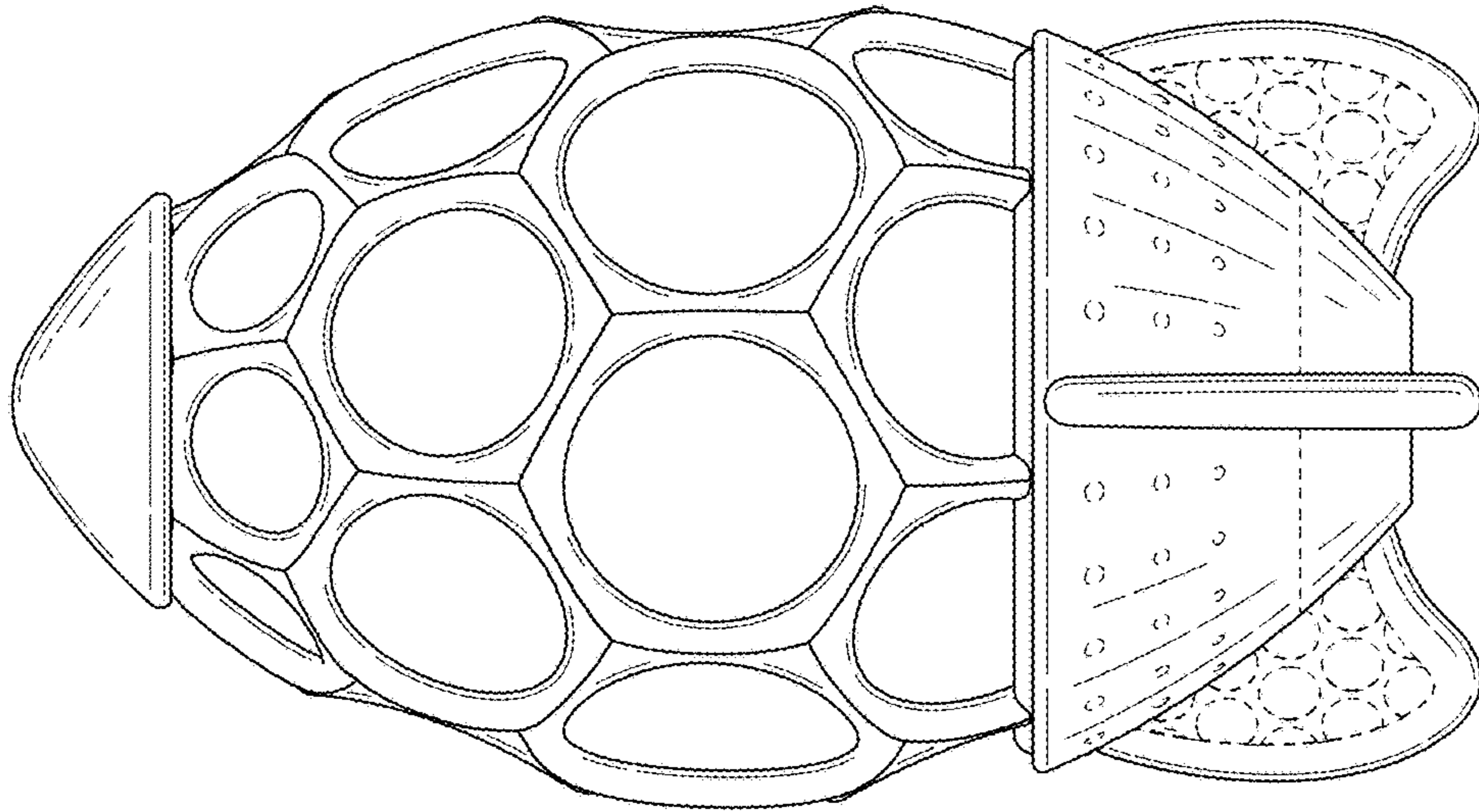


FIG. 2

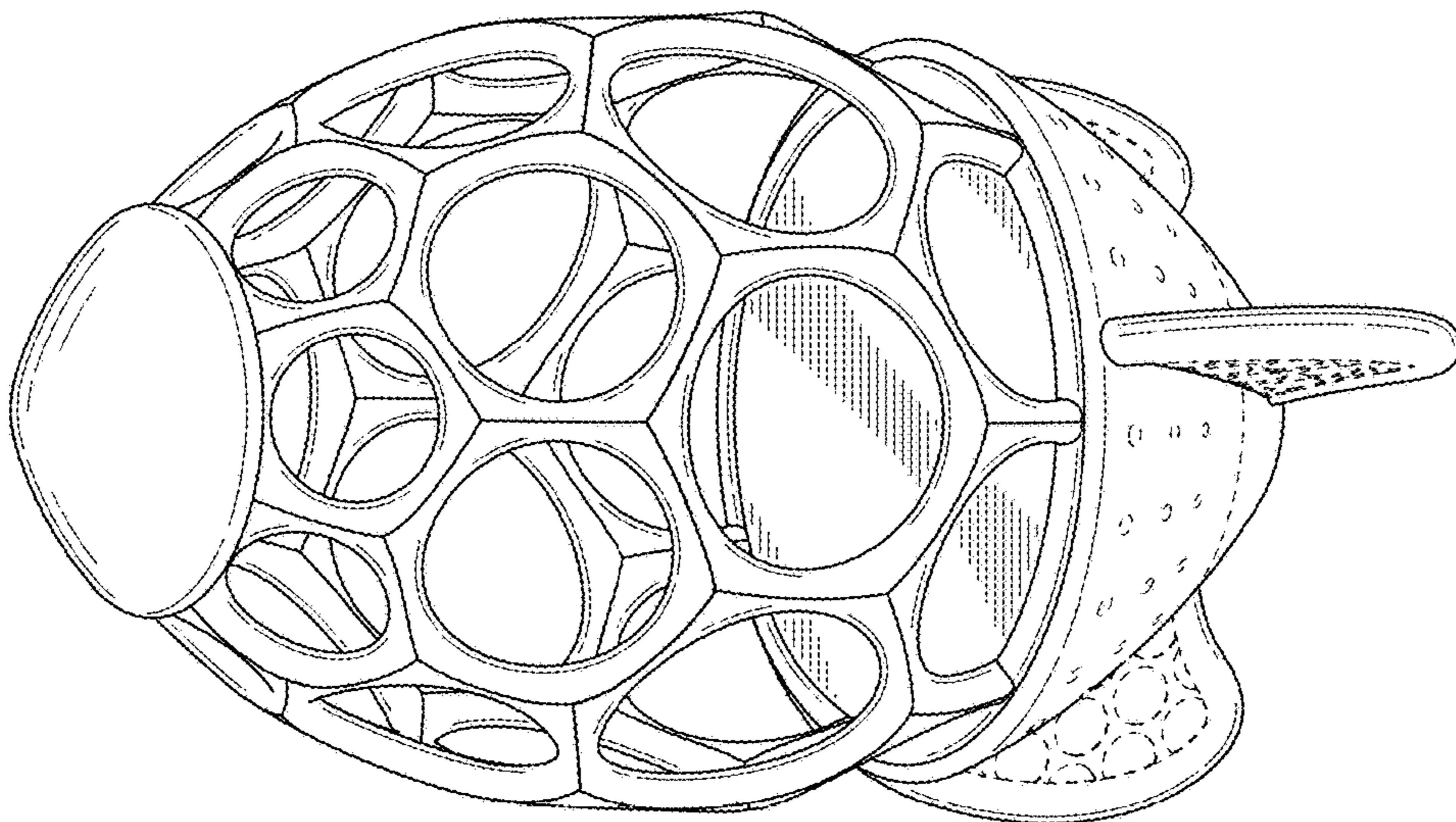


FIG. 1

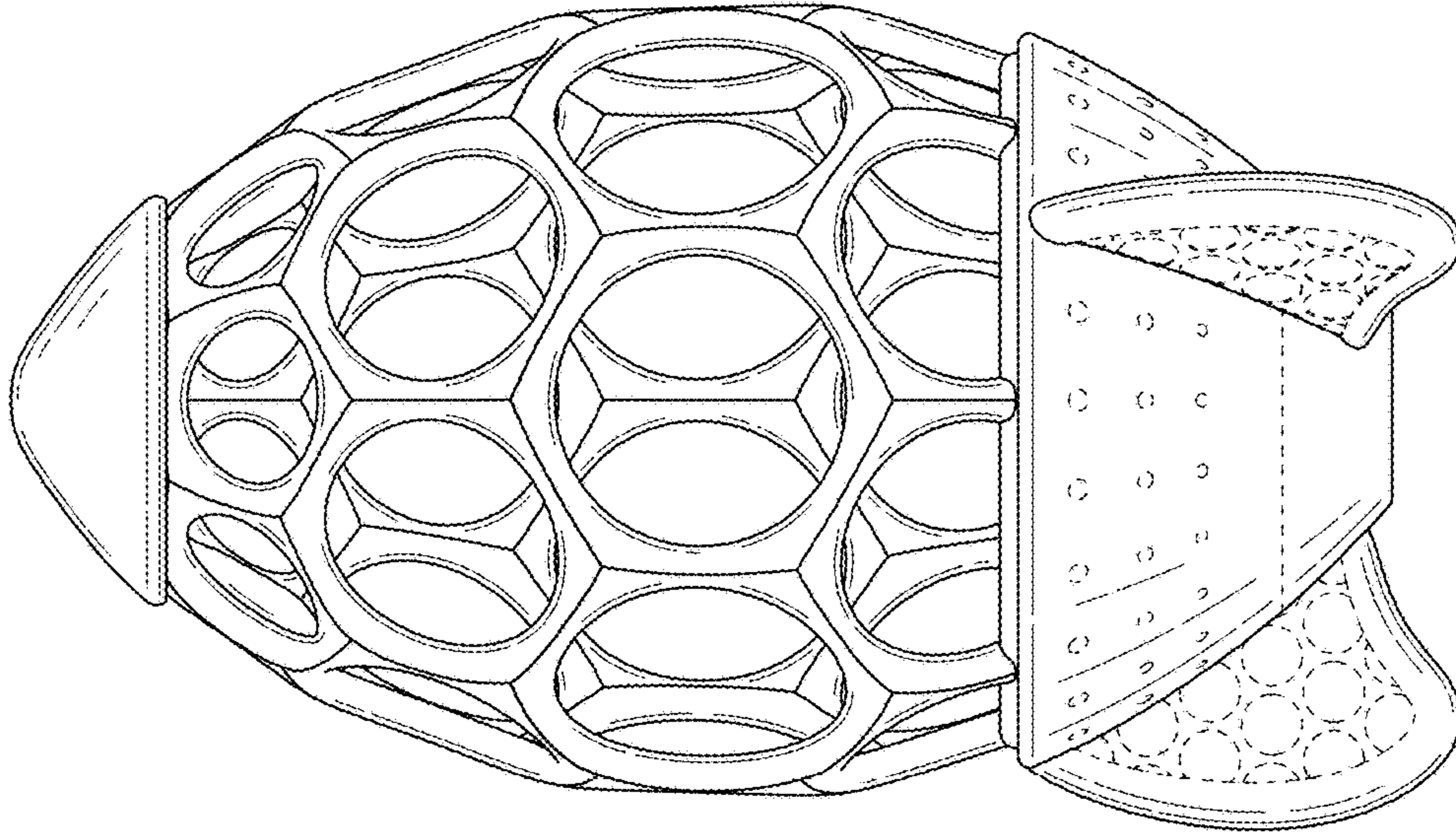


FIG. 4

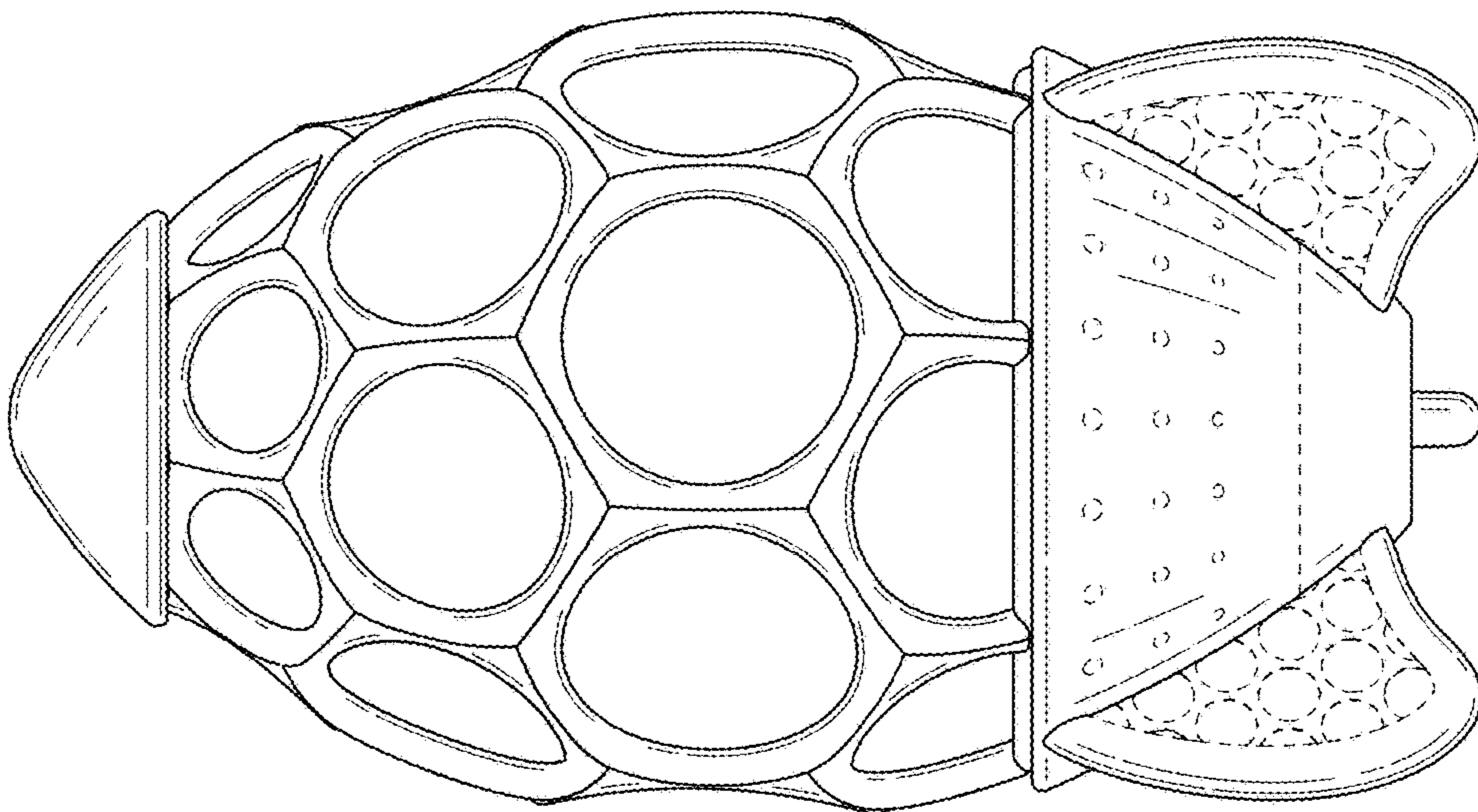


FIG. 3

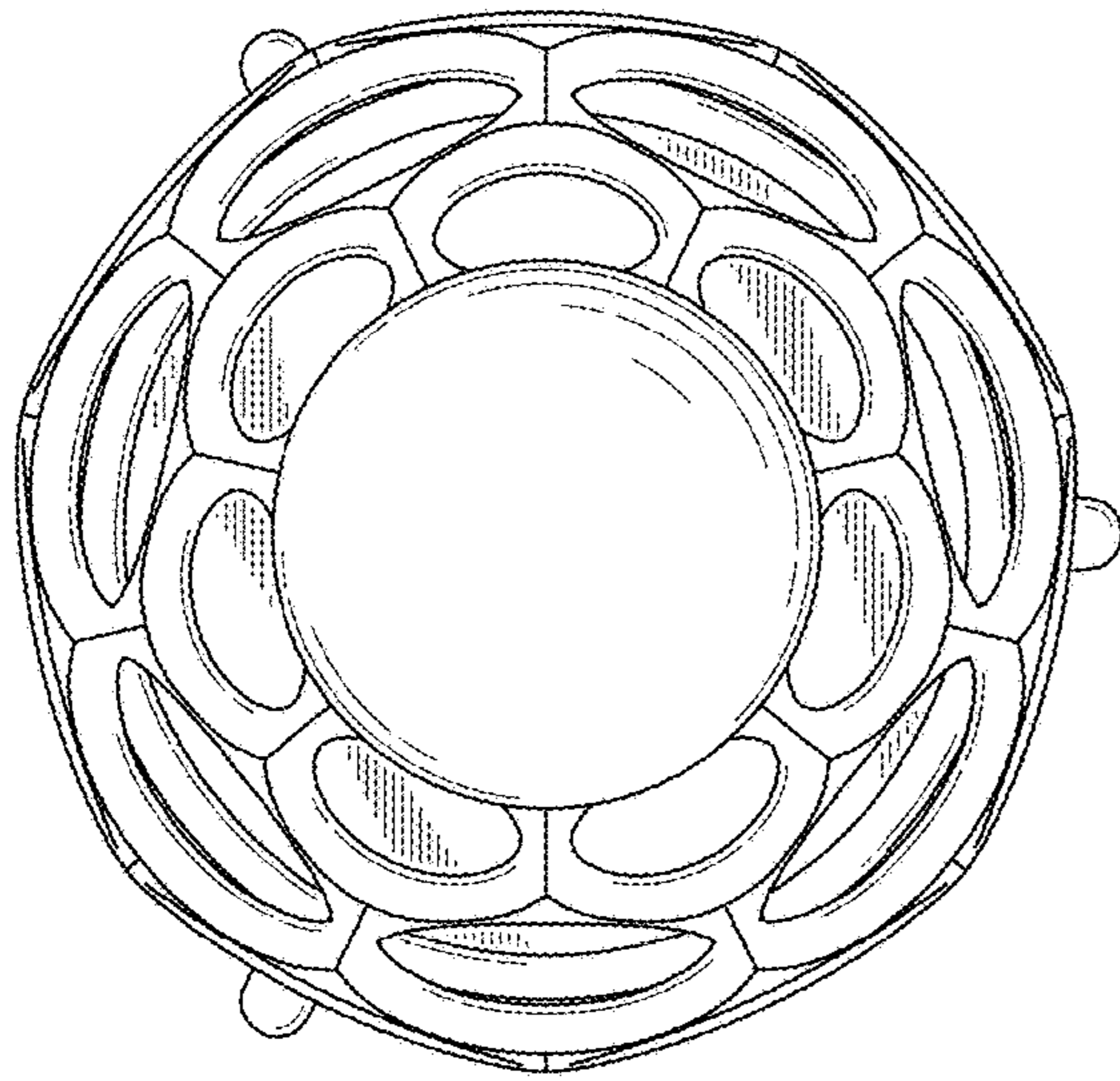


FIG. 6

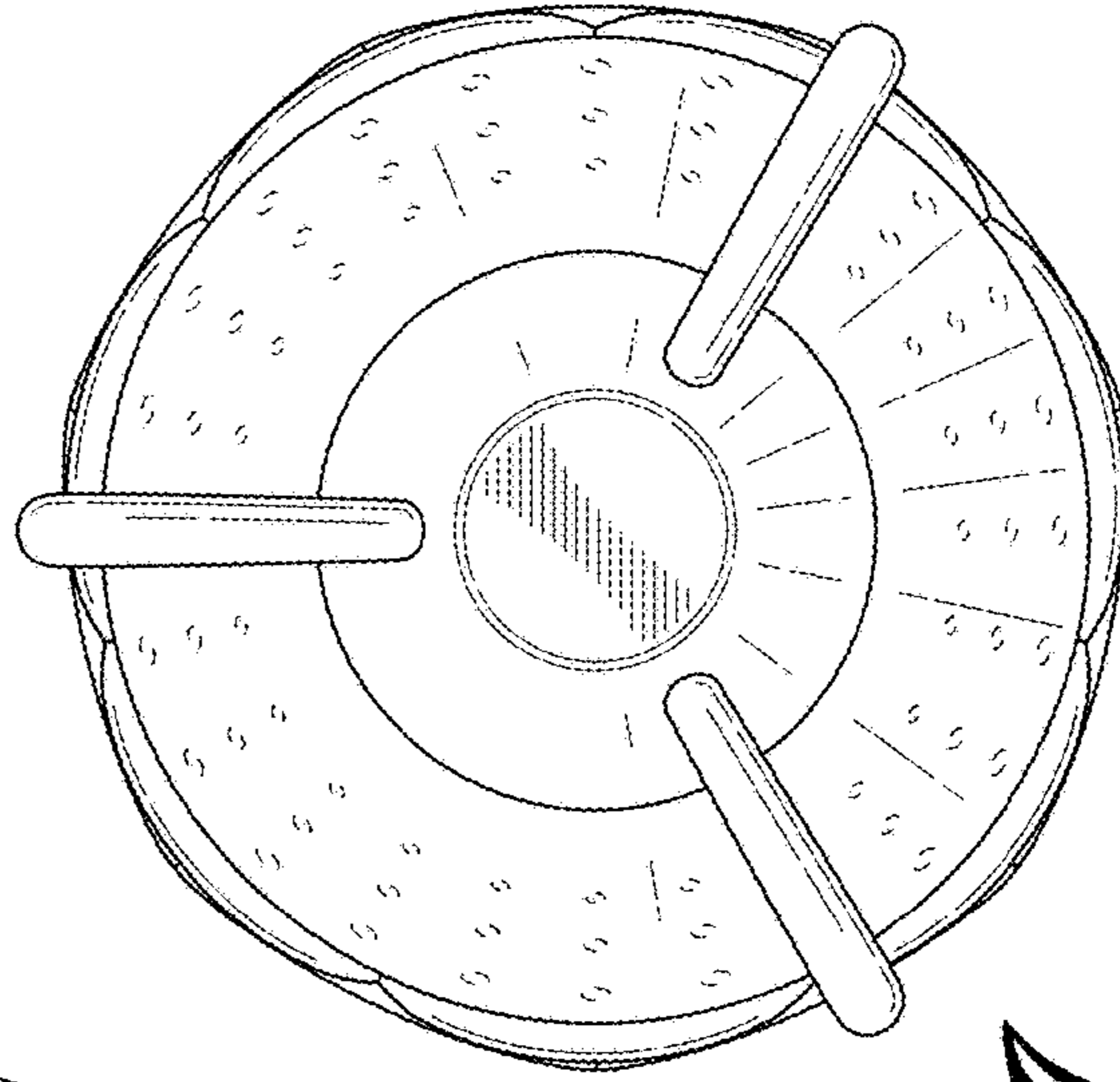


FIG. 7

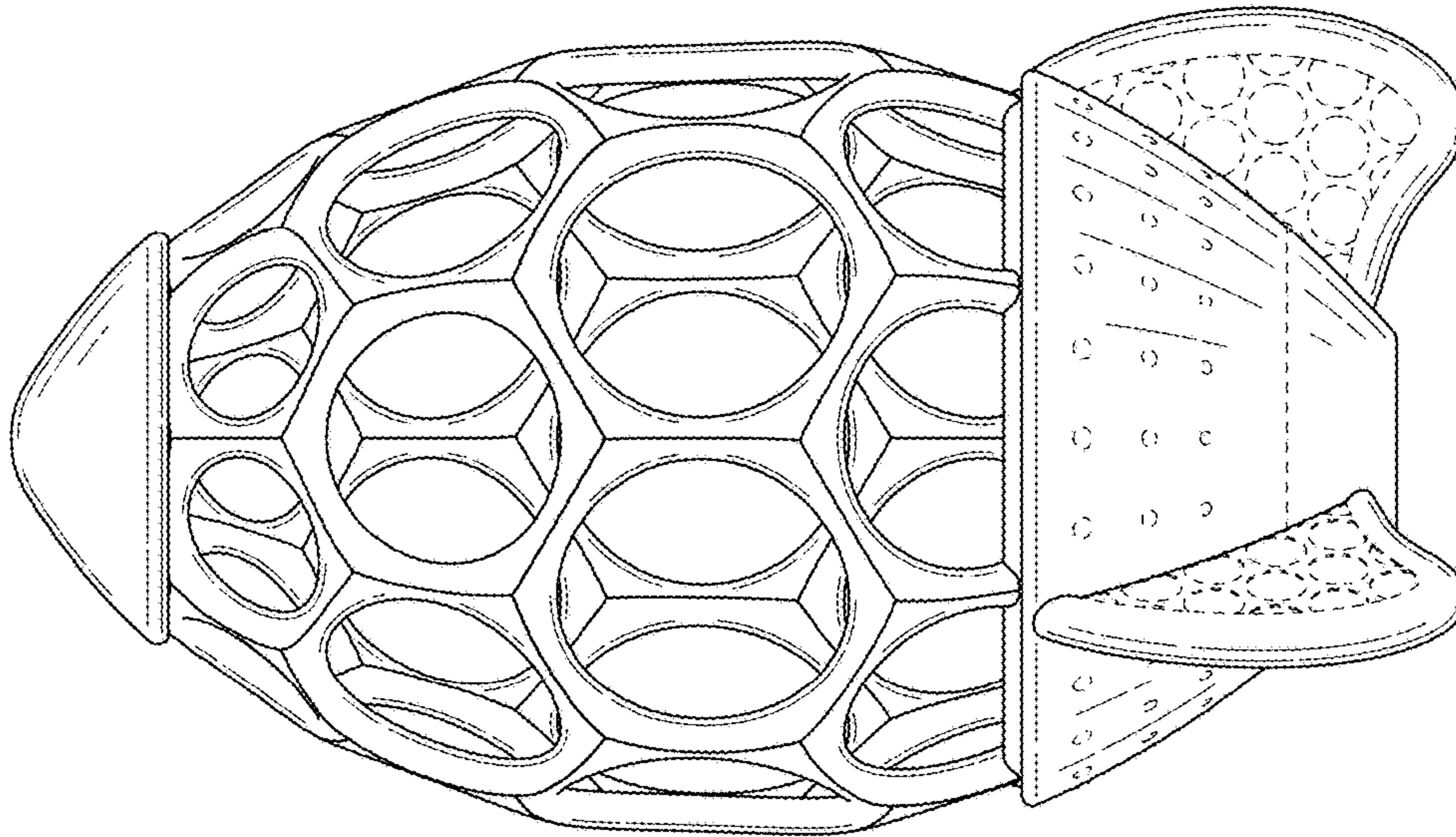


FIG. 5