



US00D827037S

(12) **United States Design Patent** (10) **Patent No.:** **US D827,037 S**
Exley (45) **Date of Patent:** **** Aug. 28, 2018**

(54) **TOY SPORTS CAR**
(71) Applicant: **Ontel Products Corporation**, Fairfield, NJ (US)
(72) Inventor: **Ross Exley**, Morristown, NJ (US)
(73) Assignee: **Ontel Products Corporation**, Fairfield, NJ (US)
(**) Term: **15 Years**
(21) Appl. No.: **29/594,379**
(22) Filed: **Feb. 17, 2017**
(51) **LOC (11) Cl.** **21-02**
(52) **U.S. Cl.**
USPC **D21/433; D21/548**
(58) **Field of Classification Search**
USPC D12/86, 90-92, 164, 173, 184-186, 190, D12/196; D21/419, 421, 423, 424-426, D21/433-434, 548, 550, 552, 559; 446/456
CPC B60R 13/04; B60R 19/54; B62D 25/12; B62D 27/026; B62D 35/005; B60J 5/0412
See application file for complete search history.

D721,769 S * 1/2015 Johnson D21/552
D771,201 S * 11/2016 Tompkin D21/550
D771,202 S * 11/2016 Gan D21/552
D771,203 S * 11/2016 Gan D21/552
2012/0077411 A1* 3/2012 Amireh A63H 17/32 446/456

OTHER PUBLICATIONS

<http://www.mindscopeproducts.com/twister-tracks-255-race-series-as-seen-on-tv.html>; 4 pgs.

* cited by examiner

Primary Examiner — Manpreet S Matharu
Assistant Examiner — Keith J Wilson

(74) *Attorney, Agent, or Firm* — John S. Artz; Dickinson Wright PLLC

(57) **CLAIM**

The ornamental design for a toy sports car, as shown and described.

DESCRIPTION

FIG. 1 is a perspective view of a toy sports car; FIG. 2 is a front view of the toy sports car of FIG. 1; FIG. 3 is a right side view of the toy sports car of FIG. 1, and the left side view of the toy sports car is a mirror image of FIG. 3; FIG. 4 is a back view of the toy sports car of FIG. 1; FIG. 5 is a top view of the toy sports car of FIG. 1; and, FIG. 6 is a bottom view of the toy sports car of FIG. 1. The broken lines in FIGS. 1-6 represent environment only and form no part of the claimed design.

1 Claim, 3 Drawing Sheets

(56) **References Cited**
U.S. PATENT DOCUMENTS
D274,632 S * 7/1984 Terui D21/559
D312,488 S * 11/1990 Kwan D21/551
D443,318 S * 6/2001 Tse D21/559
D457,576 S * 5/2002 Zweiback D21/548
D498,798 S * 11/2004 Wei D21/550
D540,714 S * 4/2007 Mueller-Stolz D12/91
D717,886 S * 11/2014 Mimlitch, III D21/550

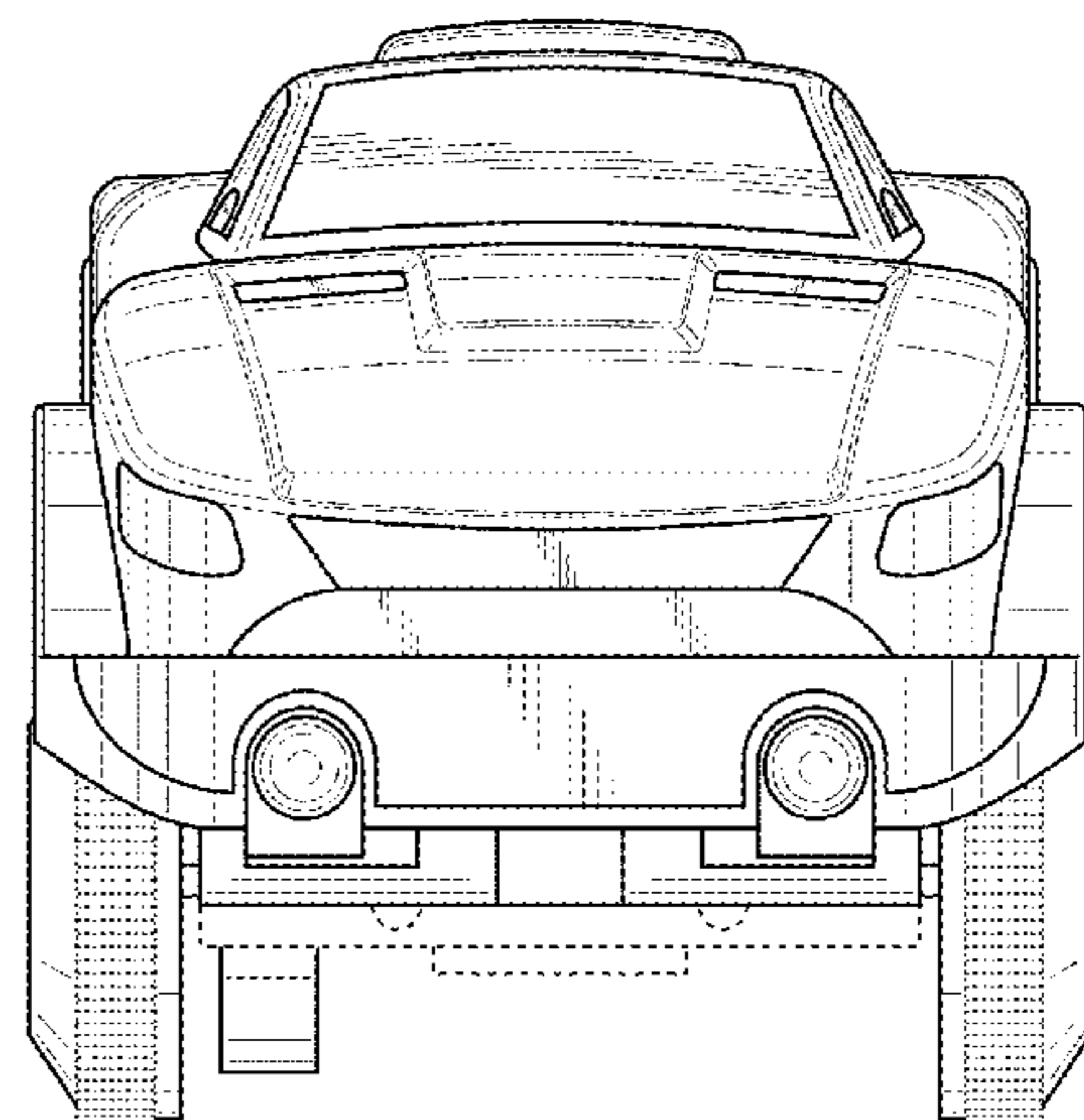
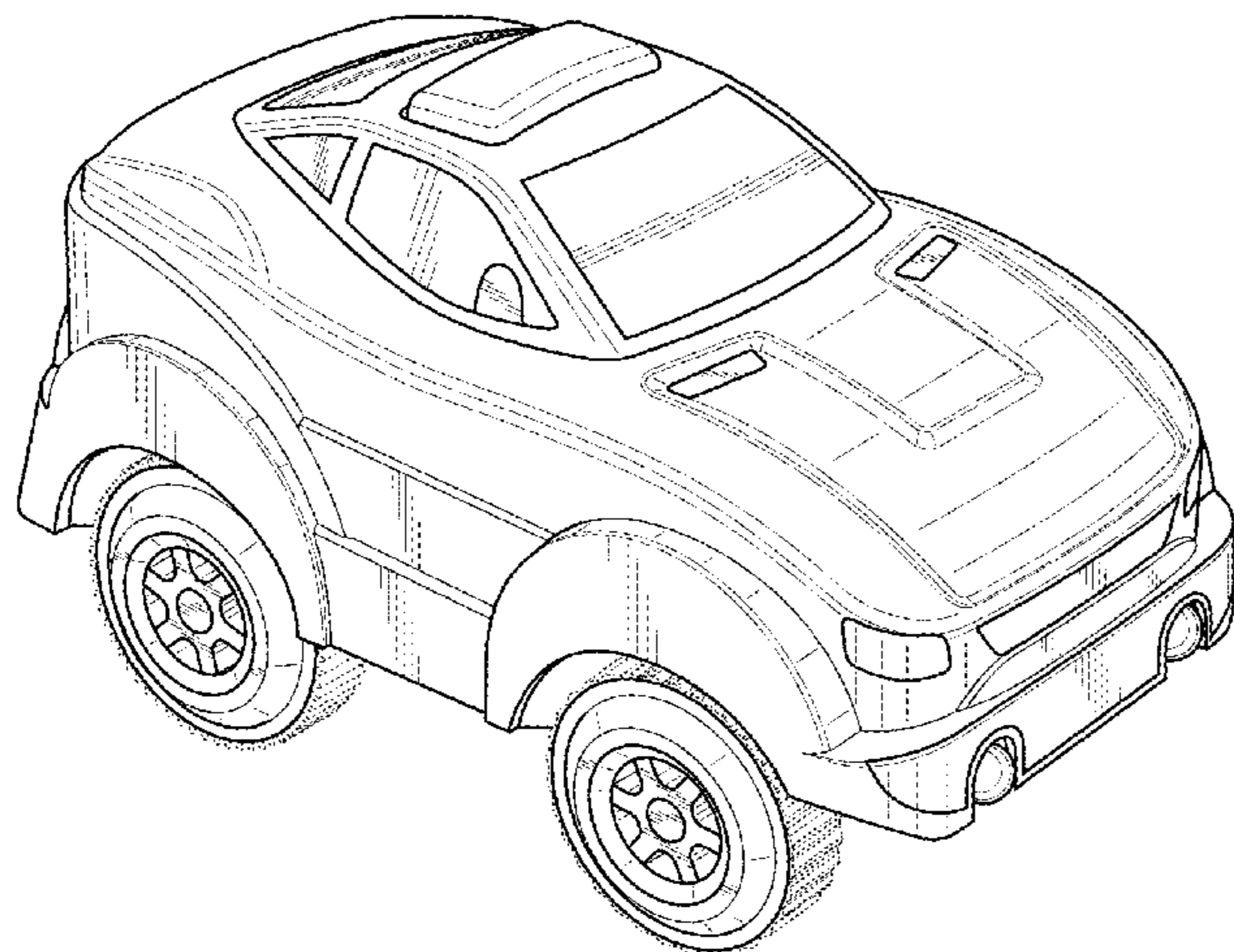


FIG. 1

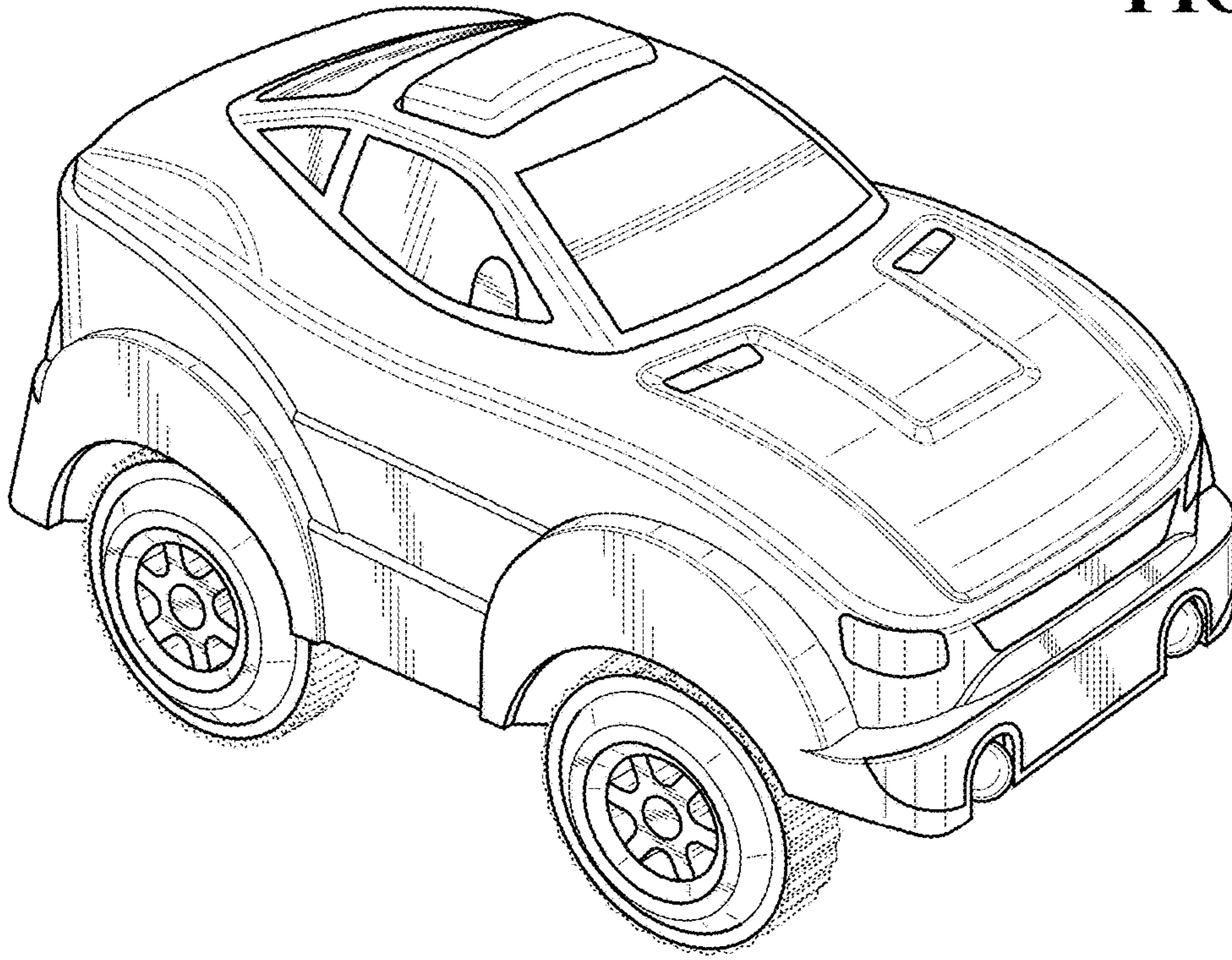


FIG. 2

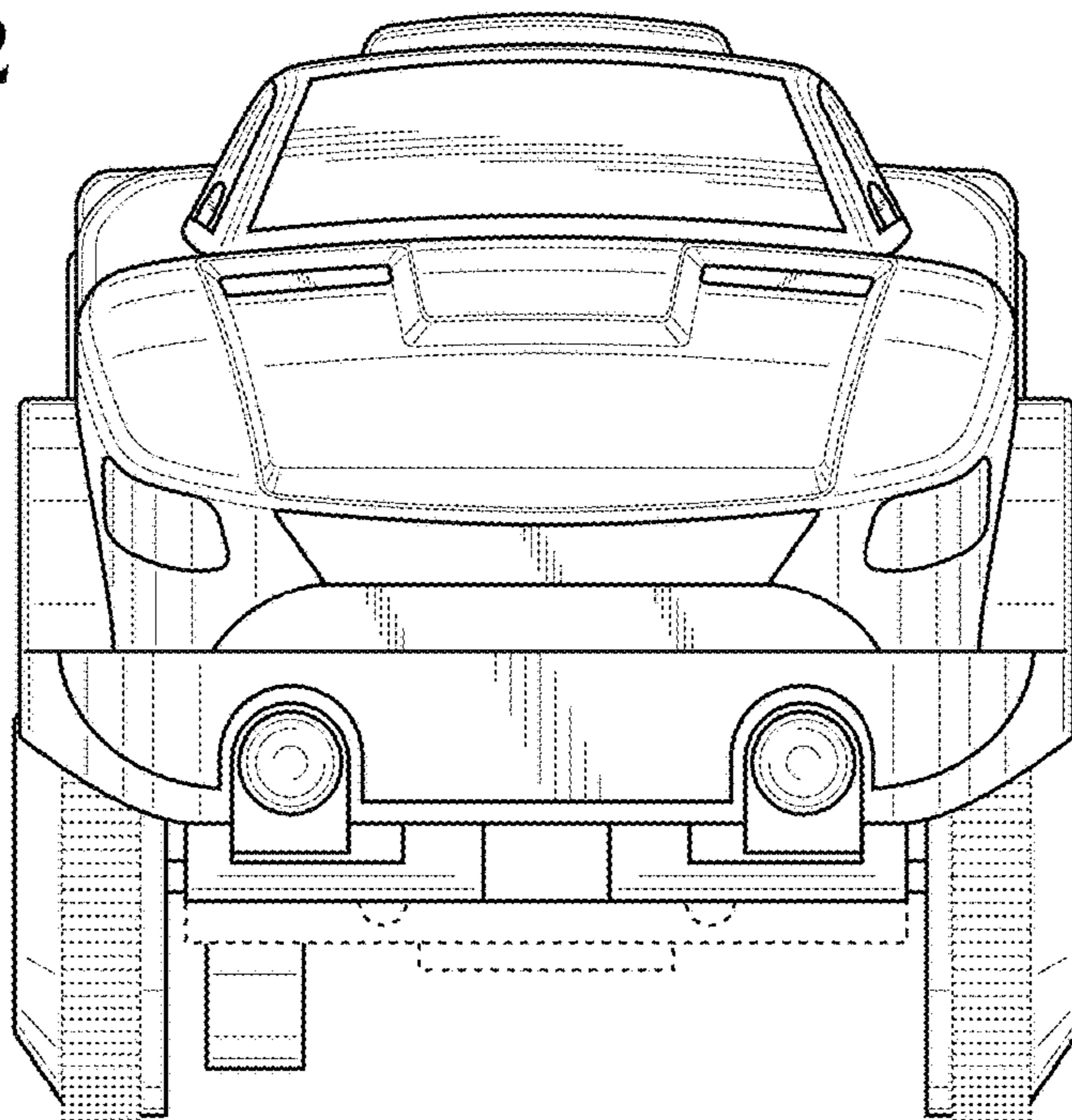


FIG. 3

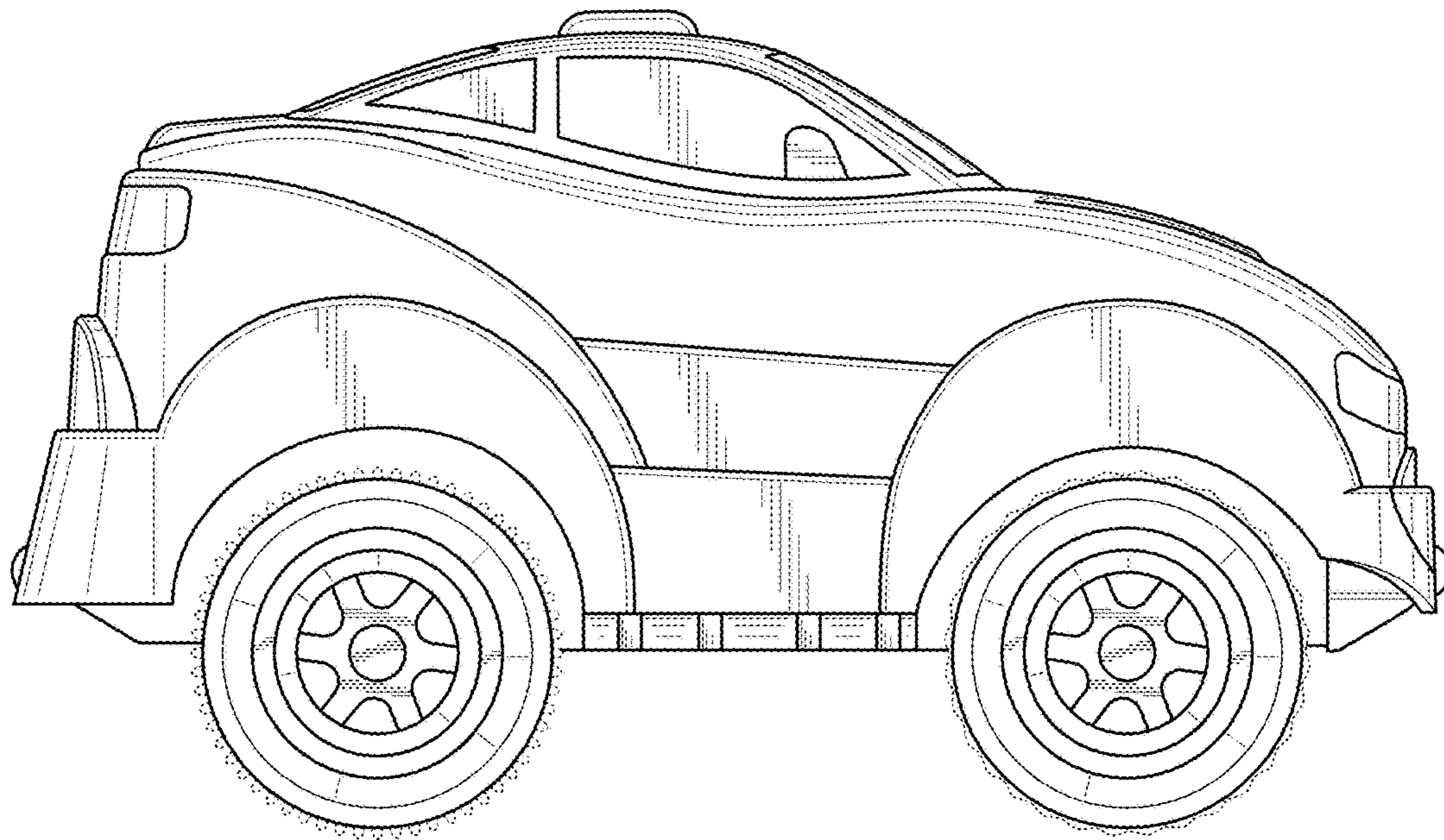
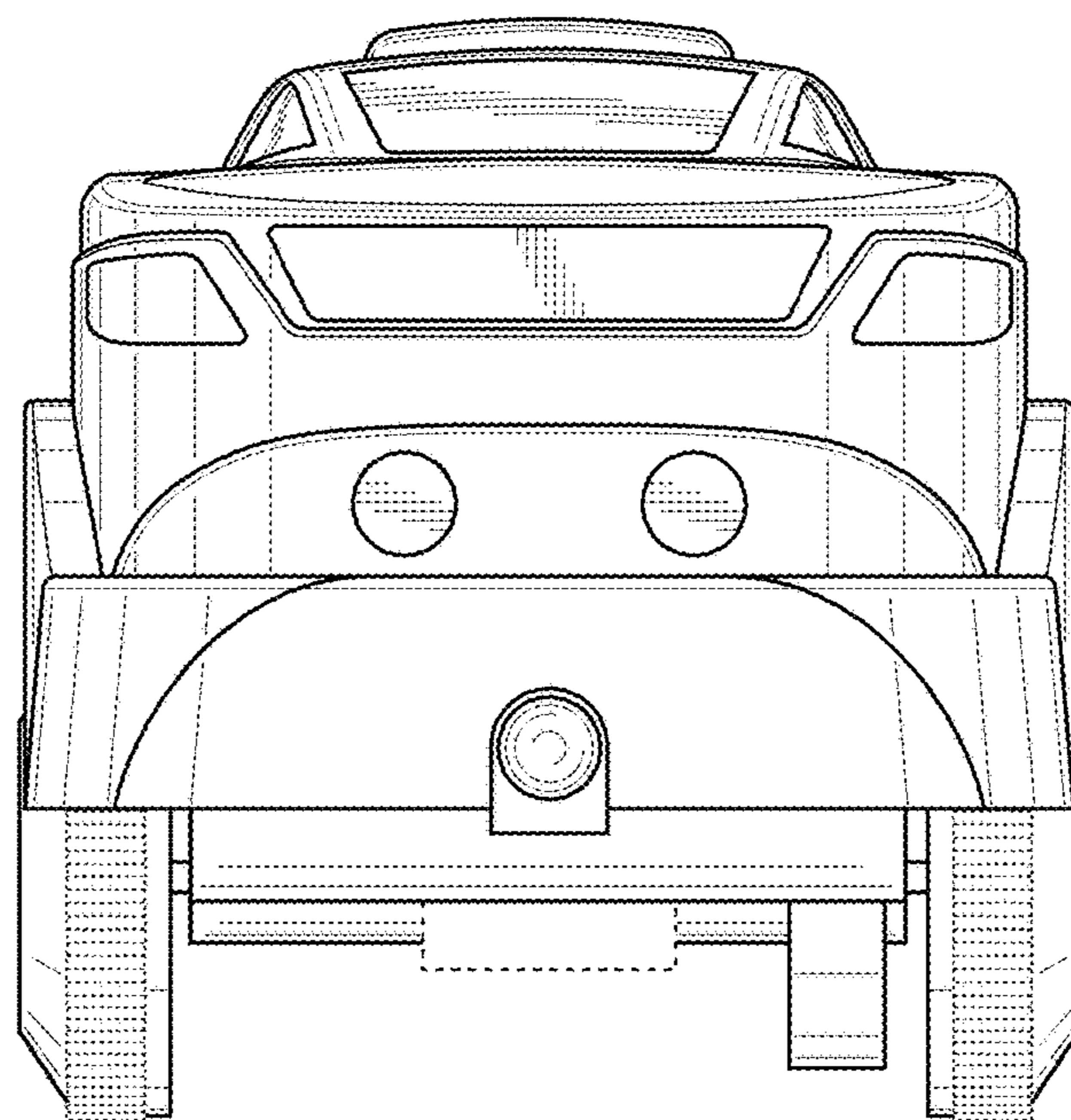


FIG. 4



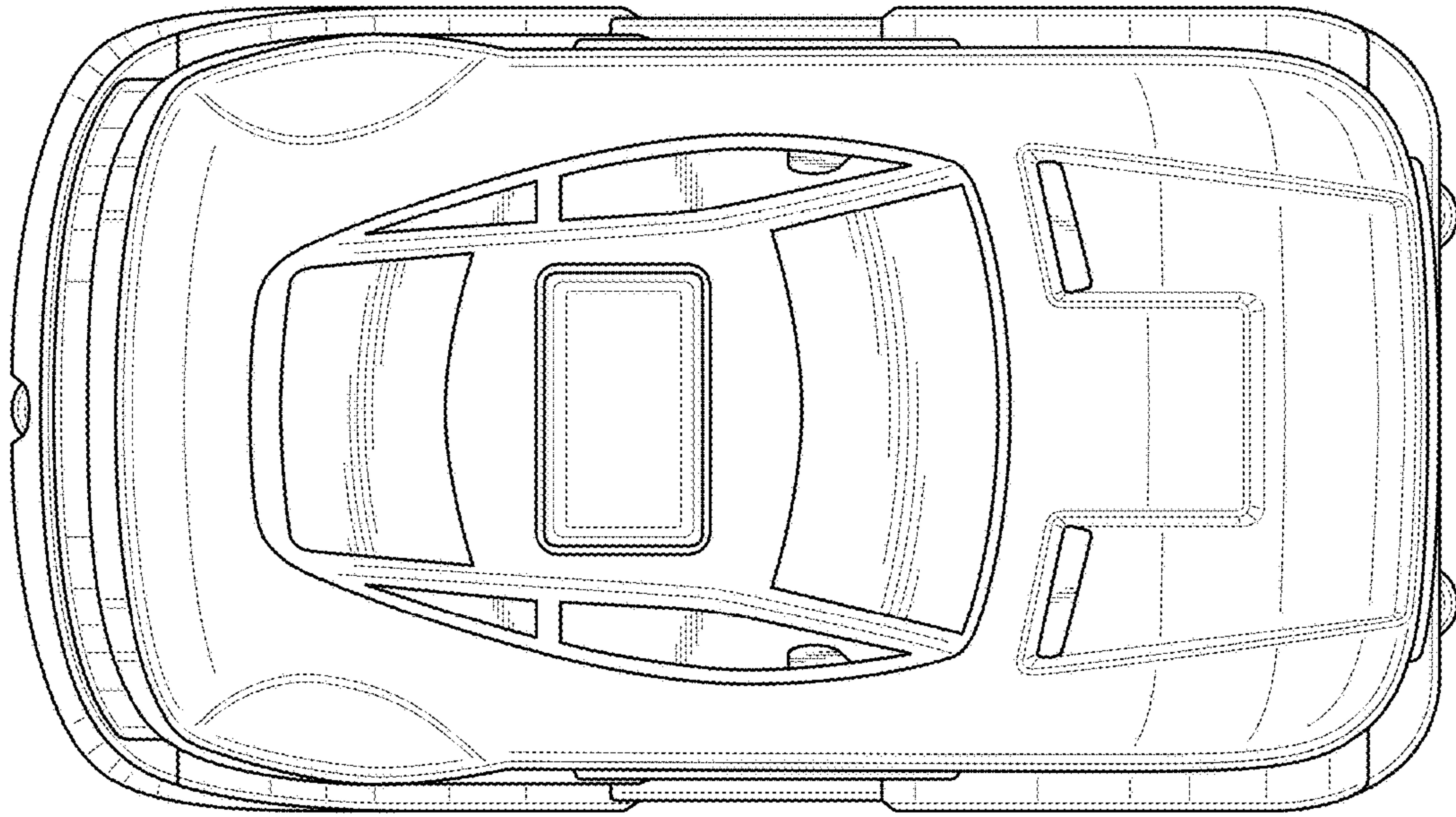


FIG. 5

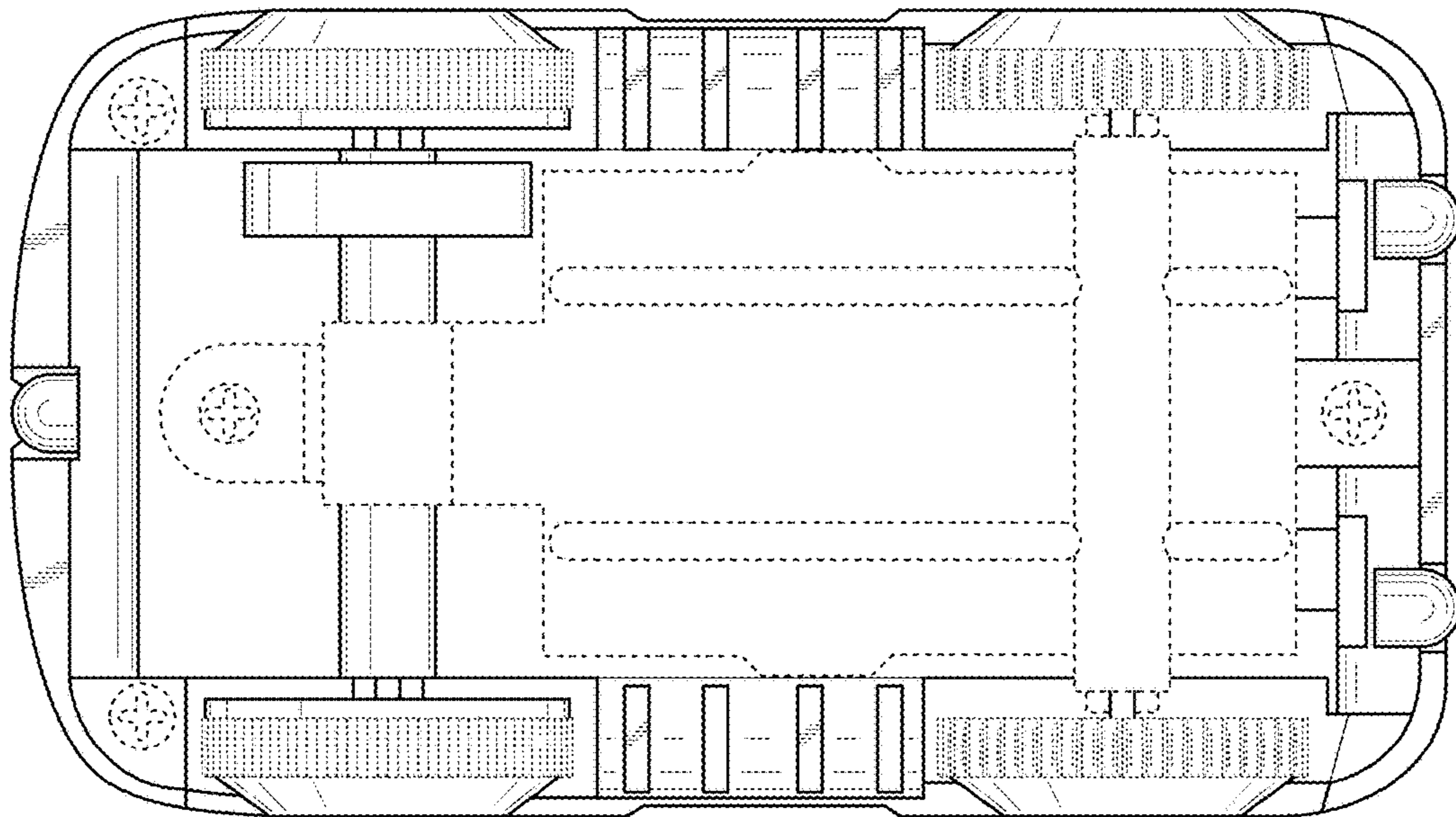


FIG. 6