



US00D827034S

(12) **United States Design Patent** (10) **Patent No.:** **US D827,034 S**
Chen et al. (45) **Date of Patent:** **** Aug. 28, 2018**

(54) **WIRELESS GAME CONTROLLER**

CPC .. A63F 13/00; A63F 13/02; A63F 9/00; G06F 17/00; G06F 19/00

(71) Applicant: **Oculus VR, LLC**, Menlo Park, CA (US)

See application file for complete search history.

(72) Inventors: **Yi-yaun Chen**, Seattle, WA (US); **Peter Wesley Bristol**, Seattle, WA (US); **Robert Bruce Hubler**, Woodinville, WA (US); **Quintin Morris**, Issaquah, WA (US)

(56) **References Cited**

U.S. PATENT DOCUMENTS

4,518,164 A	5/1985	Hayford, Jr. et al.
4,552,360 A	11/1985	Schenck et al.
5,087,825 A	2/1992	Ingraham et al.
5,181,009 A	1/1993	Perona
5,207,426 A	5/1993	Inoue et al.
D341,094 S	11/1993	Austin
5,265,009 A	11/1993	Colavita et al.
D350,351 S	9/1994	Nakamura

(Continued)

(73) Assignee: **Oculus VR, LLC**, Menlo Park, CA (US)

(**) Term: **15 Years**

(21) Appl. No.: **29/611,924**

OTHER PUBLICATIONS

(22) Filed: **Jul. 26, 2017**

“STEM System” accessed and printed from URL <<http://sixsense.com/wireless>>, 5 pages.

(Continued)

Related U.S. Application Data

(60) Continuation of application No. 29/571,025, filed on Jul. 13, 2016, now Pat. No. Des. 795,959, which is a division of application No. 29/529,915, filed on Jun. 11, 2015, now Pat. No. Des. 772,986.

Primary Examiner — Prabhakar G Deshmukh

(74) *Attorney, Agent, or Firm* — FisherBroyles, LLP

(51) **LOC (11) Cl.** **21-01**

(57) **CLAIM**

The ornamental design for a wireless game controller, as shown and described.

(52) **U.S. Cl.**
USPC **D21/333**; D14/496; D14/203.3; D14/203.5

DESCRIPTION

(58) **Field of Classification Search**
USPC D14/496, 401, 435, 474, 483, 217, 137, D14/138, 160, 168, 356, 203.1–203.8, D14/507; 345/156, 169, 173–179, 905; 715/727–729, 864, 700, 706, 719; 710/1, 710/5, 8; 713/1, 600; 455/1.1, 1.7, 73, 455/344–347, 93, 95, 3.01–3.06, 550.1, 455/573.1; 370/342–344; 369/1, 2, 369/6–12; 463/51–57, 40–47, 1, 29–35; D21/324, 328, 333; 273/148 B; D10/46.1

FIG. 1 is a front isometric view of a wireless game controller showing the new design.

FIG. 2 is a front elevation view thereof.

FIG. 3 is a rear elevation view thereof.

FIG. 4 is a left side elevation view thereof.

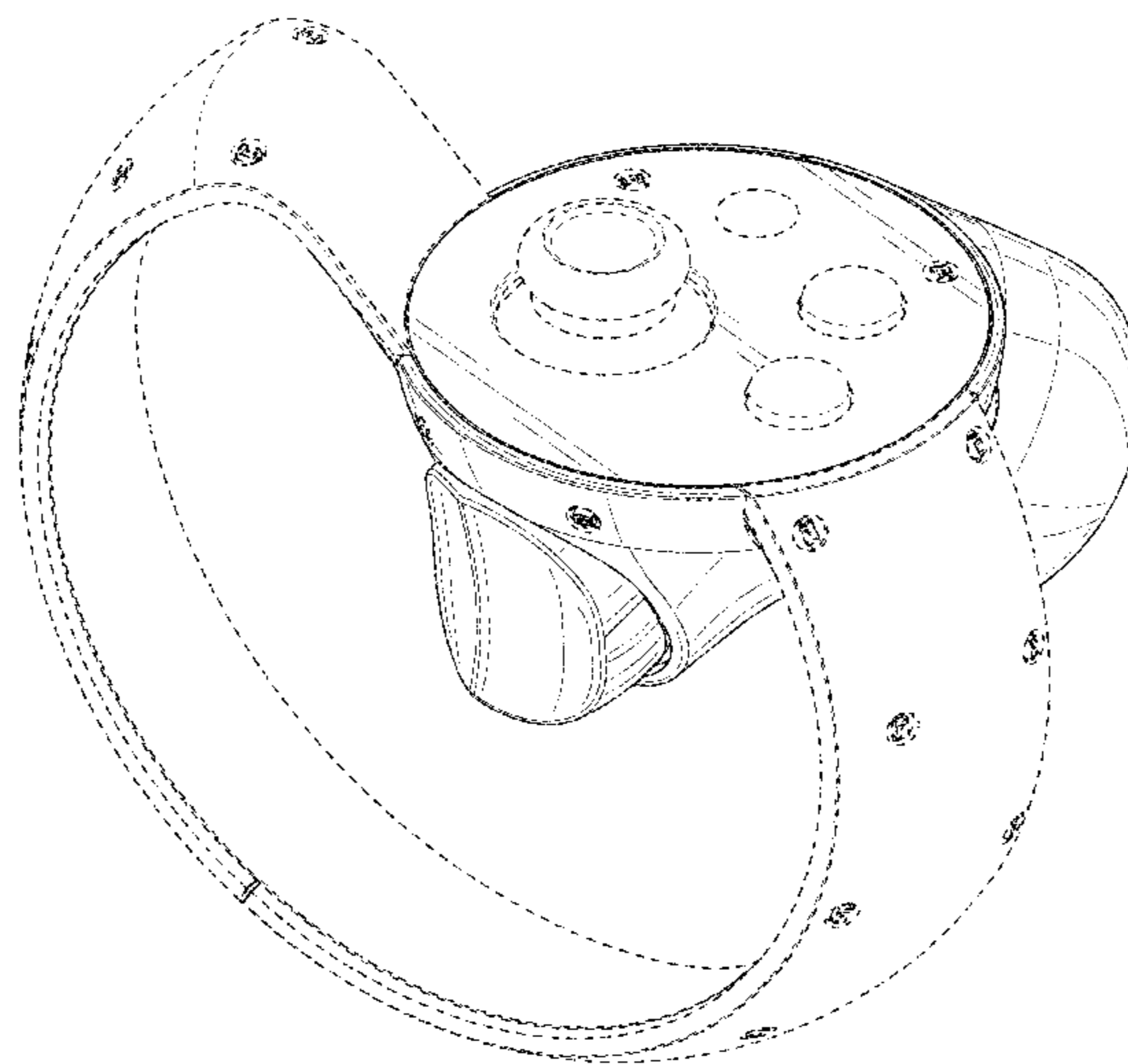
FIG. 5 is a right side elevation view thereof.

FIG. 6 is a top plan view thereof; and,

FIG. 7 is a bottom plan view thereof.

The broken lines indicate unclaimed portions and form no part of the claimed design.

1 Claim, 7 Drawing Sheets



(56)

References Cited

U.S. PATENT DOCUMENTS

- 5,365,009 A * 11/1994 Uppal B01J 38/04
502/38
- 5,421,590 A 6/1995 Robbins et al.
D363,320 S 10/1995 Barthelemy et al.
5,479,163 A 12/1995 Samulewicz
D369,754 S 5/1996 Donaldson
5,551,701 A 9/1996 Bouton et al.
5,616,078 A 4/1997 Oh et al.
5,645,277 A 7/1997 Cheng
5,796,354 A 8/1998 Cartabiano et al.
5,982,355 A 11/1999 Jaeger et al.
D418,174 S 12/1999 Jankowski
D418,879 S 1/2000 Hornsby et al.
6,173,203 B1 1/2001 Barkley et al.
6,192,253 B1 2/2001 Charlier et al.
6,430,110 B2 8/2002 Baroche et al.
D472,972 S 4/2003 Anderson et al.
6,544,124 B2 4/2003 Woodward et al.
6,572,108 B1 6/2003 Bristow
6,590,835 B2 7/2003 Farine et al.
6,652,383 B1 11/2003 Sonoda et al.
6,970,157 B2 11/2005 Siddeeq et al.
7,004,469 B2 2/2006 von Goeben et al.
7,106,197 B2 9/2006 Gaiotto et al.
7,331,793 B2 2/2008 Hernandez et al.
7,345,670 B2 3/2008 Armstrong et al.
D586,823 S 2/2009 Anderson et al.
D616,417 S 5/2010 Liao et al.
8,064,972 B2 11/2011 Russo et al.
D656,996 S 4/2012 Mikhailov et al.
8,188,842 B2 5/2012 Otsuka et al.
8,267,786 B2 9/2012 Ikeda
8,439,753 B2 5/2013 Nagata et al.
8,795,078 B1 8/2014 Musick, Jr. et al.
8,882,596 B2 11/2014 Takahashi et al.
8,994,643 B2 3/2015 Goodwin et al.
D729,803 S 5/2015 Avery et al.
9,141,087 B2 9/2015 Brown et al.
9,386,662 B1 7/2016 Krueger et al.
9,421,472 B2 8/2016 Buller et al.
D772,986 S 11/2016 Bristol et al.
D780,807 S 3/2017 Bristol et al.
9,678,566 B2 6/2017 Webb et al.
D795,959 S 8/2017 Hubler et al.
D800,841 S * 10/2017 Chen D21/333
9,804,693 B2 10/2017 Long
D802,055 S * 11/2017 Chen D21/333
9,839,840 B2 12/2017 Long et al.
9,849,376 B2 * 12/2017 Wilson A63F 13/235
D815,209 S * 4/2018 Chen D21/333
D815,210 S * 4/2018 Chen D21/333
D815,697 S * 4/2018 Chen D21/333
2001/0015718 A1 8/2001 Hinckley et al.
2001/0045938 A1 11/2001 Willner et al.
2002/0072415 A1 6/2002 Kikukawa et al.
2003/0100367 A1 5/2003 Cooke et al.
2004/0222963 A1 11/2004 Guo et al.
2004/0222970 A1 11/2004 Martinez et al.
2005/0248544 A1 11/2005 Adam et al.
2005/0255915 A1 11/2005 Riggs et al.
2006/0287089 A1 12/2006 Addington et al.
2007/0049374 A1 3/2007 Ikeda et al.
2007/0066394 A1 3/2007 Ikeda et al.
2007/0084293 A1 4/2007 Kaiserman et al.
2007/0293318 A1 12/2007 Tettersington et al.
2008/0261693 A1 10/2008 Zalewski et al.
2008/0261695 A1 10/2008 Coe et al.
2009/0005164 A1 1/2009 Chang et al.
2009/0143110 A1 6/2009 Armstrong et al.
2009/0149256 A1 6/2009 Lui et al.
2009/0290345 A1 11/2009 Shaner et al.
2009/0295721 A1 12/2009 Yamamoto et al.
2009/0298590 A1 12/2009 Marks et al.
2010/0009760 A1 1/2010 Shimamura et al.
2010/0085321 A1 4/2010 Pundsack et al.
2010/0118195 A1 5/2010 Eom et al.
2010/0144436 A1 6/2010 Marks et al.
2010/0184513 A1 7/2010 Mukasa et al.
2011/0294579 A1 12/2011 Marks et al.
2012/0088582 A1 4/2012 Wu et al.
2012/0202597 A1 8/2012 Yee et al.
2012/0261551 A1 10/2012 Rogers et al.
2013/0162450 A1 6/2013 Leong et al.
2013/0324254 A1 12/2013 Huang et al.
2014/0015813 A1 1/2014 Numaguchi et al.
2014/0141891 A1 5/2014 Georgy et al.
2014/0203953 A1 7/2014 Moser et al.
2014/0228124 A1 8/2014 Plagge et al.
2014/0273546 A1 9/2014 Harmon et al.
2014/0361977 A1 12/2014 Mao et al.
2014/0362110 A1 12/2014 Stafford
2014/0364212 A1 12/2014 Osman et al.
2014/0378227 A1 12/2014 Lee
2015/0077398 A1 3/2015 Yairi et al.
2015/0094142 A1 4/2015 Stafford
2015/0155445 A1 6/2015 Crowder et al.
2015/0234477 A1 8/2015 Watson et al.
2015/0253574 A1 9/2015 Thurber
2015/0258431 A1 9/2015 Strafford et al.
2015/0258432 A1 9/2015 Tokubo et al.
2015/0268920 A1 9/2015 Schapiro
2015/0370320 A1 12/2015 Connor et al.
2016/0351362 A1 12/2016 Gassoway et al.
2016/0357249 A1 12/2016 Webb et al.
2016/0357261 A1 12/2016 Webb et al.
2016/0361637 A1 12/2016 Bristol et al.
2016/0361638 A1 12/2016 Rogoza et al.
2016/0363996 A1 12/2016 Rogoza et al.
2016/0364910 A1 12/2016 Katz et al.
2017/0128828 A1 5/2017 Long
2017/0131767 A1 5/2017 Long
2017/0136351 A1 5/2017 Long
2017/0139481 A1 5/2017 Long et al.
2017/0168303 A1 6/2017 Petrov et al.
2017/0177102 A1 6/2017 Long et al.
2017/0189798 A1 7/2017 Rogoza et al.
2017/0189799 A1 7/2017 Anderson et al.
2017/0189802 A1 7/2017 Rogoza et al.
2017/0192495 A1 7/2017 Drinkwater et al.
2017/0192506 A1 7/2017 Andersen et al.

OTHER PUBLICATIONS

- Final Office Action dated Nov. 2, 2017 for U.S. Appl. No. 14/934,073 by Long, C., et al., filed Nov. 5, 2015.
Notice of Allowance dated Oct. 20, 2017 for U.S. Appl. No. 14/934,090 by Long, C., et al., filed Nov. 5, 2015.
Restriction Requirement dated Oct. 12, 2017 for U.S. Appl. No. 29/579,091 by Chen, Y., et al., filed Sep. 27, 2016.
Supplemental Notice of Allowability dated Sep. 29, 2017 for U.S. Appl. No. 29/571,027 by Chen, Y., et al., filed Jul. 13, 2016.
Tested, "Hands-On with Sixsense STEM VR Motion-Tracking System" accessed and printed from URL <<https://www.youtube.com/watch?v=C8z-On6FBTM>>, 5 pages.
Non-Final Office Action dated Nov. 1, 2017 for U.S. Appl. No. 15/173,558 by Andersen, B., et al., filed Jun. 3, 2016.
Advisory Action dated Dec. 27, 2017 for U.S. Appl. No. 14/939,470 by Long, C., et al., filed Nov. 12, 2015.
Notice of Allowance dated Dec. 22, 2017 for U.S. Appl. No. 14/991,875 by Drinkwater, J., et al., filed Jan. 8, 2016.
Canadian Examiner's Report in Patent Application No. 163,150, dated Apr. 8, 2016, 7 pages.
Canadian Examiner's Report in Patent Application No. 163,150, dated Dec. 15, 2015, 5 pages.
Canadian Examiner's Report in Patent Application No. 167,456, dated Apr. 8, 2016, 1 page.
Canadian Examiner's Report in Patent Application No. 167,457, dated Apr. 8, 2016, 1 page.
Canadian Examiner's Report in Patent Application No. 167,458, dated Apr. 8, 2016, 1 page.

(56)

References Cited

OTHER PUBLICATIONS

Ex Parte Quayle Action mailed May 5, 2017 for U.S. Appl. No. 29/571,027 by Chen, Y., et al., filed Jul. 13, 2016.

Ex Parte Quayle Action mailed May 5, 2017 for U.S. Appl. No. 29/571,030 by Chen, Y., et al., filed Jul. 13, 2016.

Ex Parte Quayle Action mailed May 8, 2017 for U.S. Appl. No. 29/571,025 by Chen, Y., et al., filed Jul. 13, 2016.

Final Office Action dated Aug. 18, 2017 for U.S. Appl. No. 14/939,470 by Long, C., et al., filed Nov. 12, 2015.

First Examination Report in Indian Patent Application No. 278272, dated Mar. 18, 2016, 2 pages.

First Examination Report in Indian Patent Application No. 278273, dated Mar. 18, 2016, 2 pages.

First Examination Report in Indian Patent Application No. 278274, dated Mar. 14, 2016, 2 pages.

First Examination Report in Indian Patent Application No. 278275, dated Mar. 28, 2016, 2 pages.

Non-Final Office Action dated Aug. 24, 2017 for U.S. Appl. No. 14/991,875 by Drinkwater, J., et al., filed Jan. 8, 2016.

Non-Final Office Action dated Apr. 7, 2017 for U.S. Appl. No. 14/975,049 by Long, C., et al., filed Dec. 18, 2015.

Non-Final Office Action dated Jul. 17, 2017 for U.S. Appl. No. 14/939,431 by Long, C., et al., filed Nov. 12, 2015.

Non-Final Office Action dated Mar. 23, 2017 for U.S. Appl. No. 14/934,073 by Long, C., et al., filed Nov. 5, 2015.

Non-Final Office Action dated Mar. 30, 2017 for U.S. Appl. No. 14/939,470 by Long, C., et al., filed Nov. 12, 2015.

Notice of Allowance dated Jun. 15, 2017 of U.S. Appl. No. 29/571,030 by Chen, Y., et al., filed Jul. 13, 2016.

Notice of Allowance dated Jun. 21, 2017 for U.S. Appl. No. 29/571,025 by Chen, Y., et al., filed Jul. 13, 2016.

Notice of Allowance dated Jun. 22, 2017 for U.S. Appl. No. 29/571,027 by Chen, Y., et al., filed Jul. 13, 2016.

Notice of Allowance dated Jun. 29, 2016, for U.S. Appl. No. 29/529,915 by Chen, Y., et al., filed Jun. 11, 2015.

Notice of Allowance dated Sep. 15, 2017 for U.S. Appl. No. 14/975,049 by Long, C. et al., filed Dec. 15, 2015.

Notice of Allowance dated Sep. 27, 2016, for U.S. Appl. No. 29/529,915 by Chen, Y., et al., filed Jun. 11, 2015.

Office Action in Brazil Design Patent Application No. 30-2015-005620-7, dated May 30, 2017,30 pages.

Office Action in Korean Patent Application No. 30-2015-0063452, dated Aug. 9, 2016, 3 pages.

Office Action in Mexican Design Patent Application No. MX/f/2015/003769, dated Feb. 7, 2017, 4 pages.

Restriction Requirement dated Apr. 8, 2016, for U.S. Appl. No. 29/529,915 by Chen, Y., et al., filed Jun. 11, 2015.

Supplemental Notice of Allowability dated Jul. 10, 2017 of U.S. Appl. No. 29/571,030 by Chen, Y., et al., filed Jul. 13, 2016.

Supplemental Notice of Allowability dated Jul. 6, 2017 for U.S. Appl. No. 29/571,025 by Chen, Y., et al., filed Jul. 13, 2016.

U.S. Appl. No. 14/934,073 by Long, C., et al., filed Nov. 5, 2015.

U.S. Appl. No. 14/934,090 by Long, C., et al., filed Nov. 5, 2015.

U.S. Appl. No. 14/939,431 by Long, C., et al., filed Nov. 12, 2015.

U.S. Appl. No. 14/939,470 by Long, C., et al., filed Nov. 12, 2015.

U.S. Appl. No. 14/975,049 by Long, C., et al., filed Dec. 18, 2015.

U.S. Appl. No. 14/991,875 by Drinkwater, J., et al., filed Jan. 8, 2016.

U.S. Appl. No. 15/172,099 by Rogoza, B., et al., filed Jun. 2, 2016.

U.S. Appl. No. 15/173,474 by Rogoza, B., et al., filed Jun. 3, 2016.

U.S. Appl. No. 15/173,558 by Andersen, B., et al., filed Jun. 3, 2016.

U.S. Appl. No. 15/177,121 by Anderson, B., et al., filed Jun. 2, 2016.

U.S. Appl. No. 29/529,915 by Chen, Y., et al., filed Jun. 11, 2015.

U.S. Appl. No. 29/571,025 by Chen, Y., et al., filed Jul. 13, 2016.

U.S. Appl. No. 29/571,027 by Chen, Y., et al., filed Jul. 13, 2016.

U.S. Appl. No. 29/571,030 by Chen, Y., et al., filed Jul. 13, 2016.

U.S. Appl. No. 29/579,091 by Chen, Y., et al., filed Sep. 27, 2016.

* cited by examiner

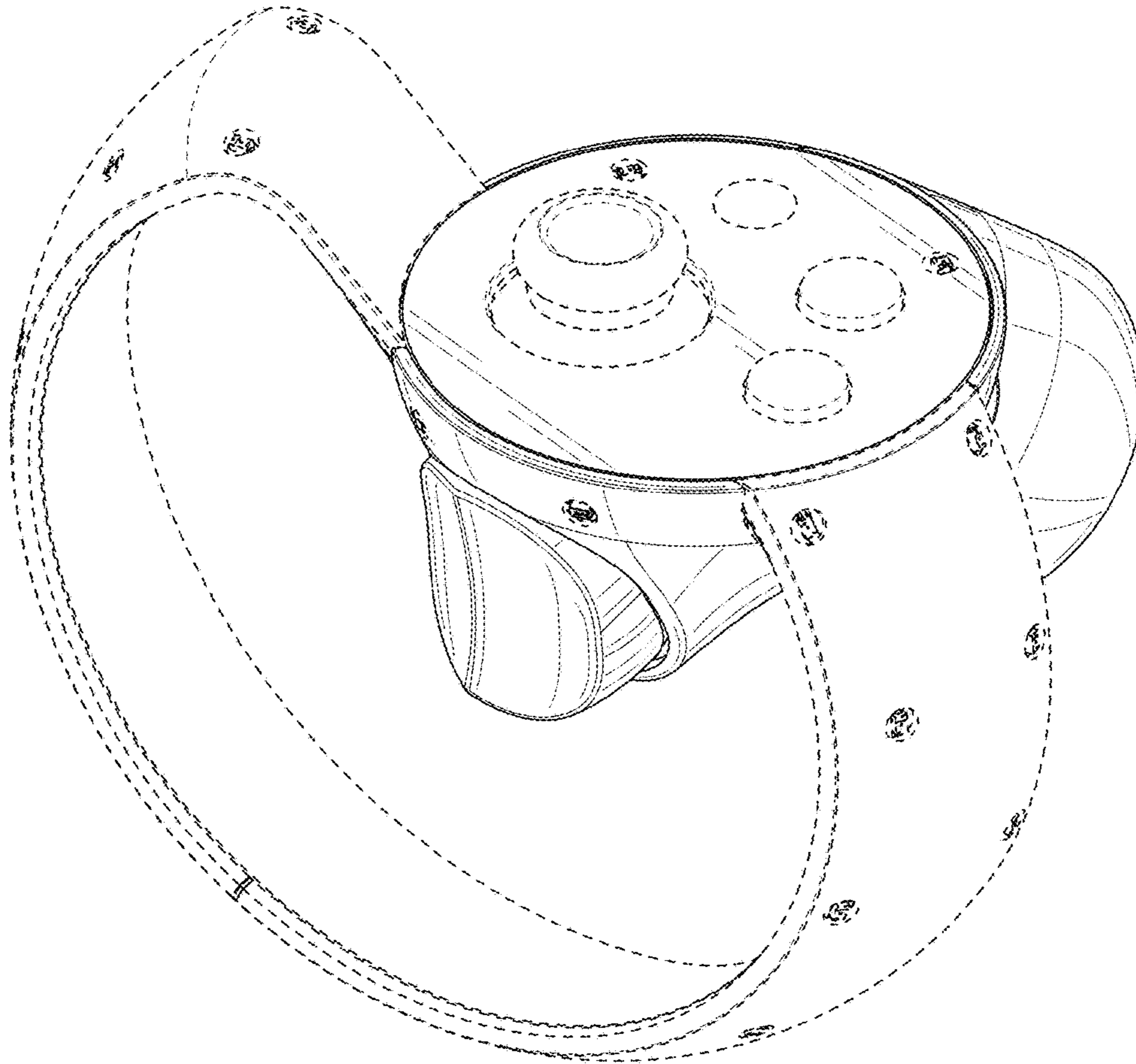


Fig. 1

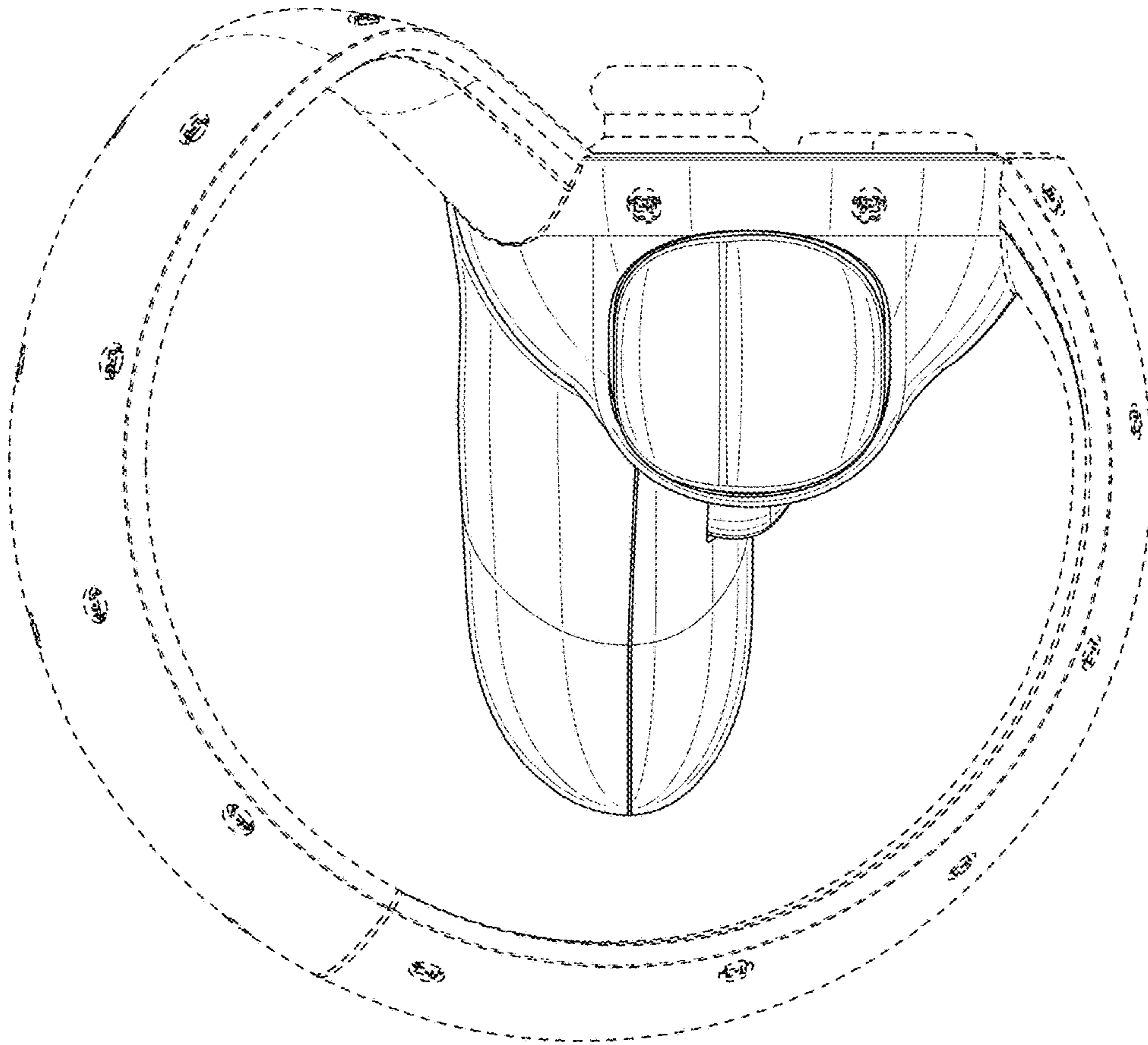


Fig. 2

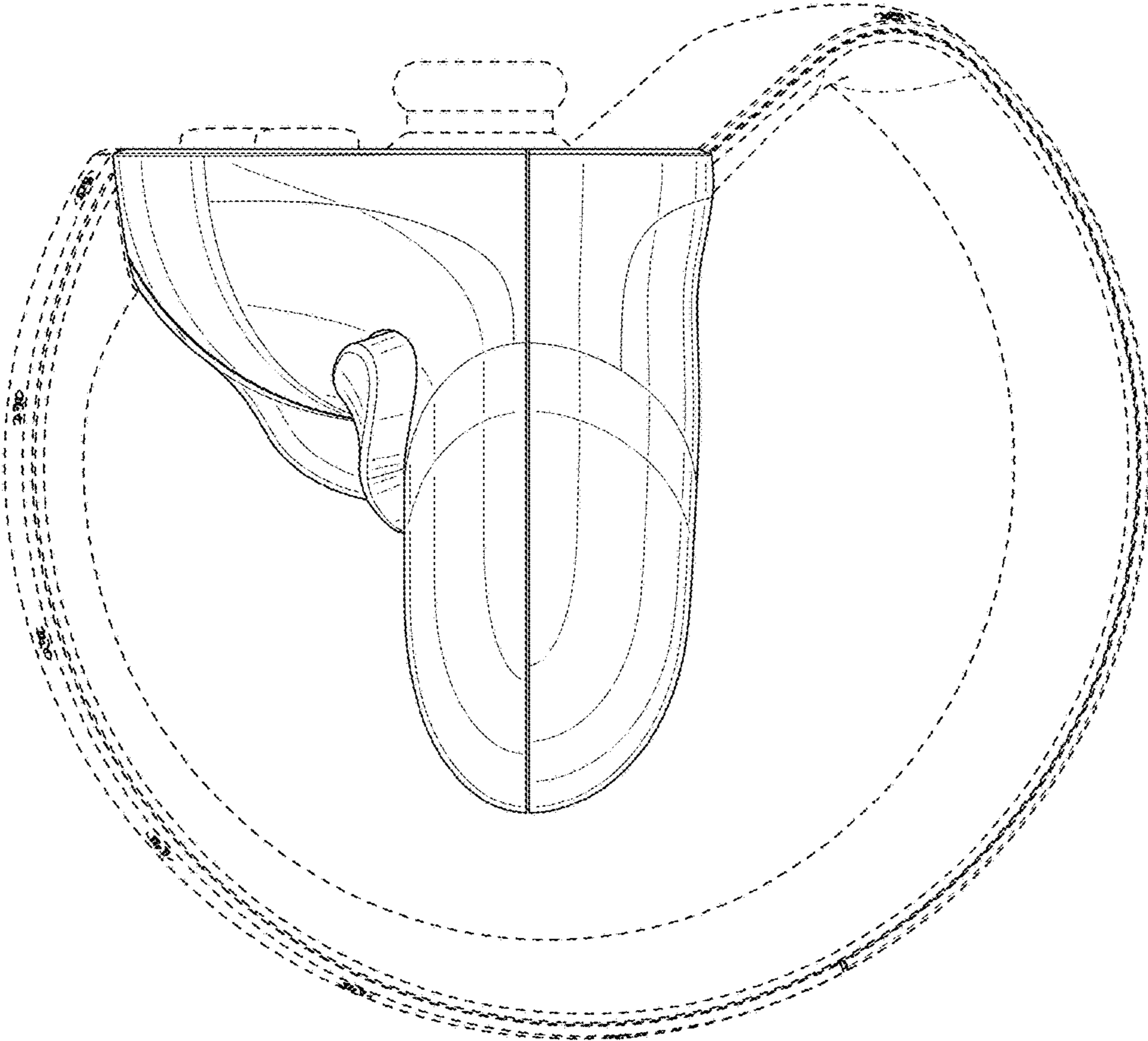


Fig. 3

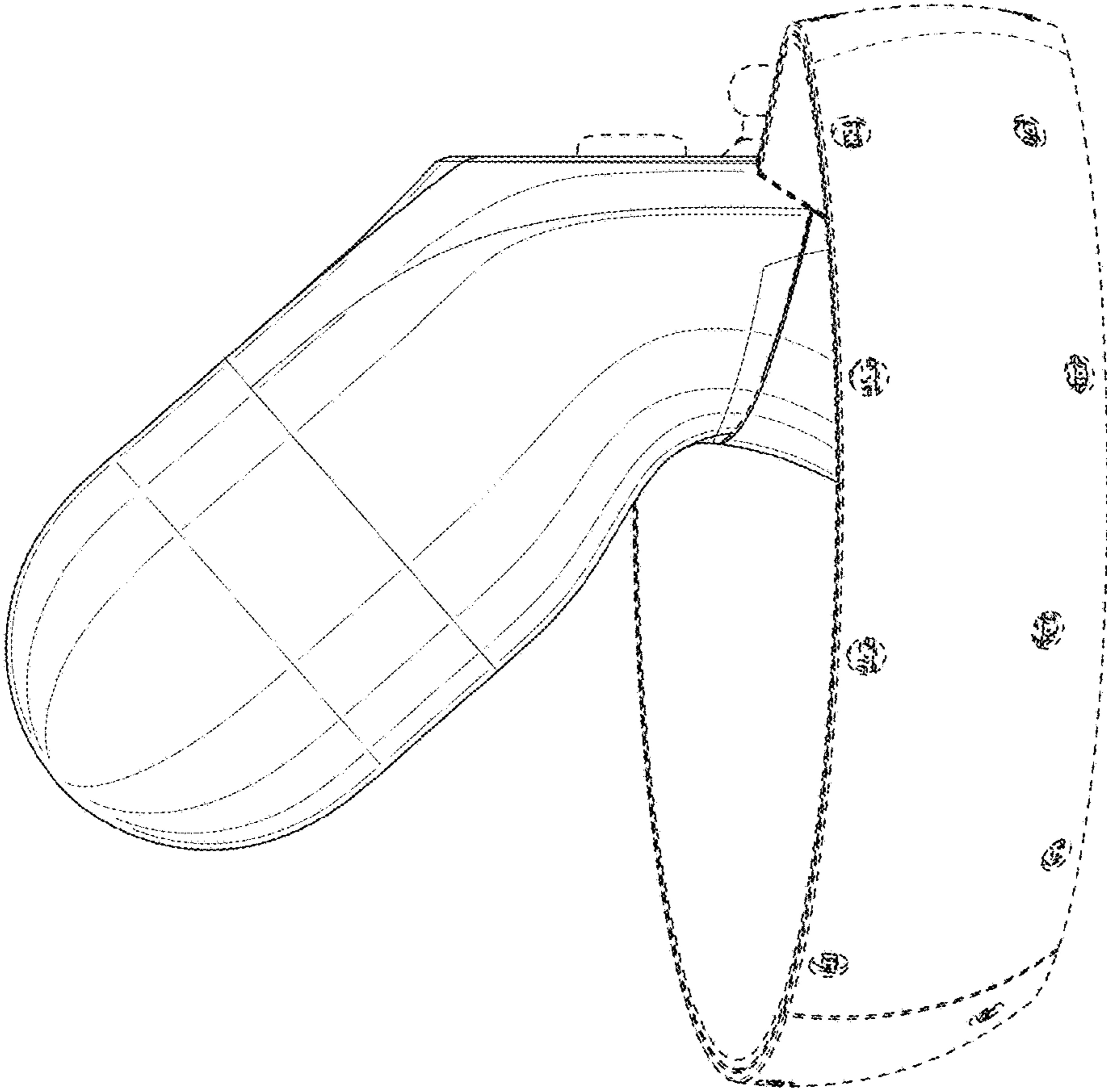


Fig. 4

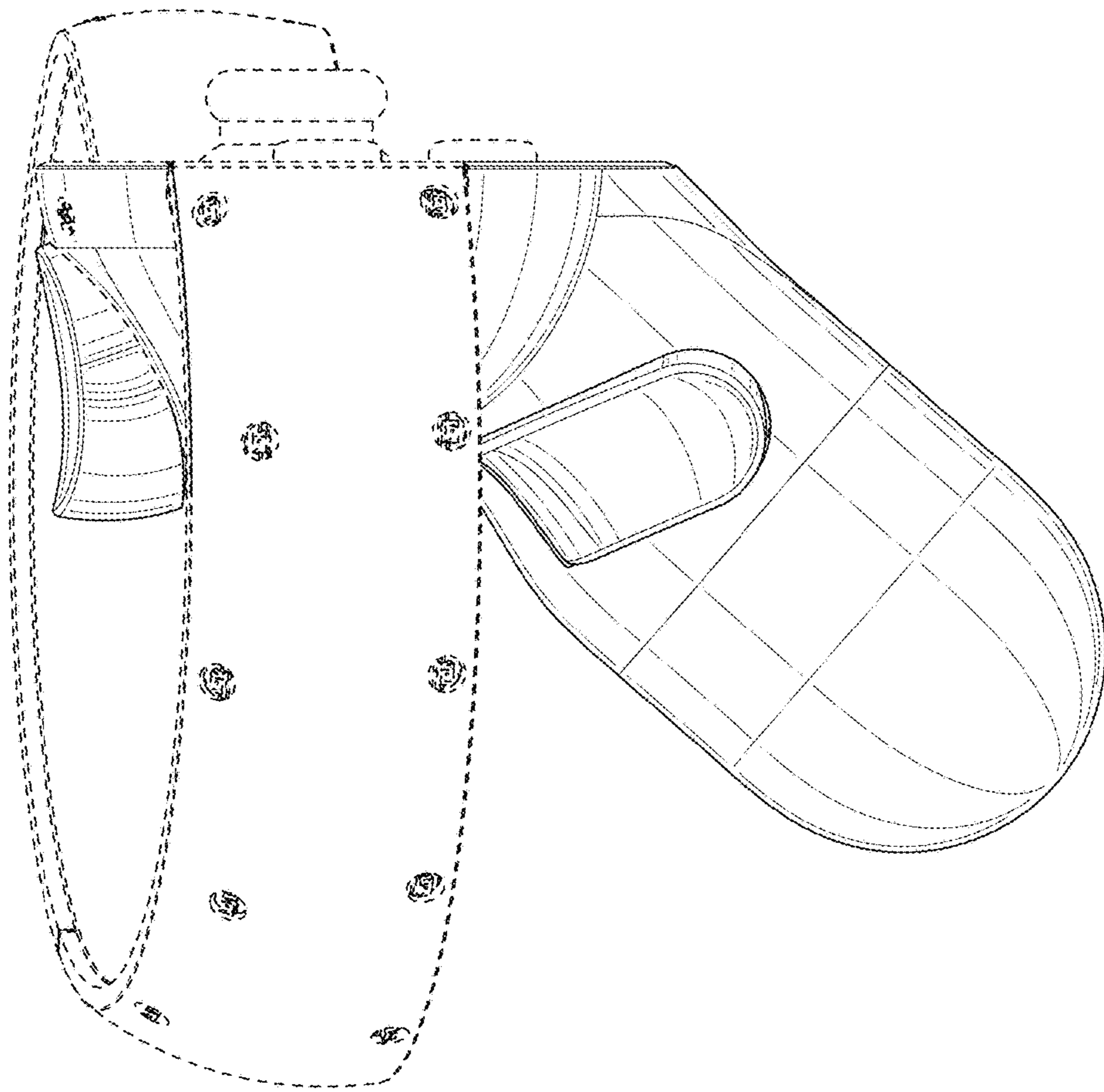


Fig. 5

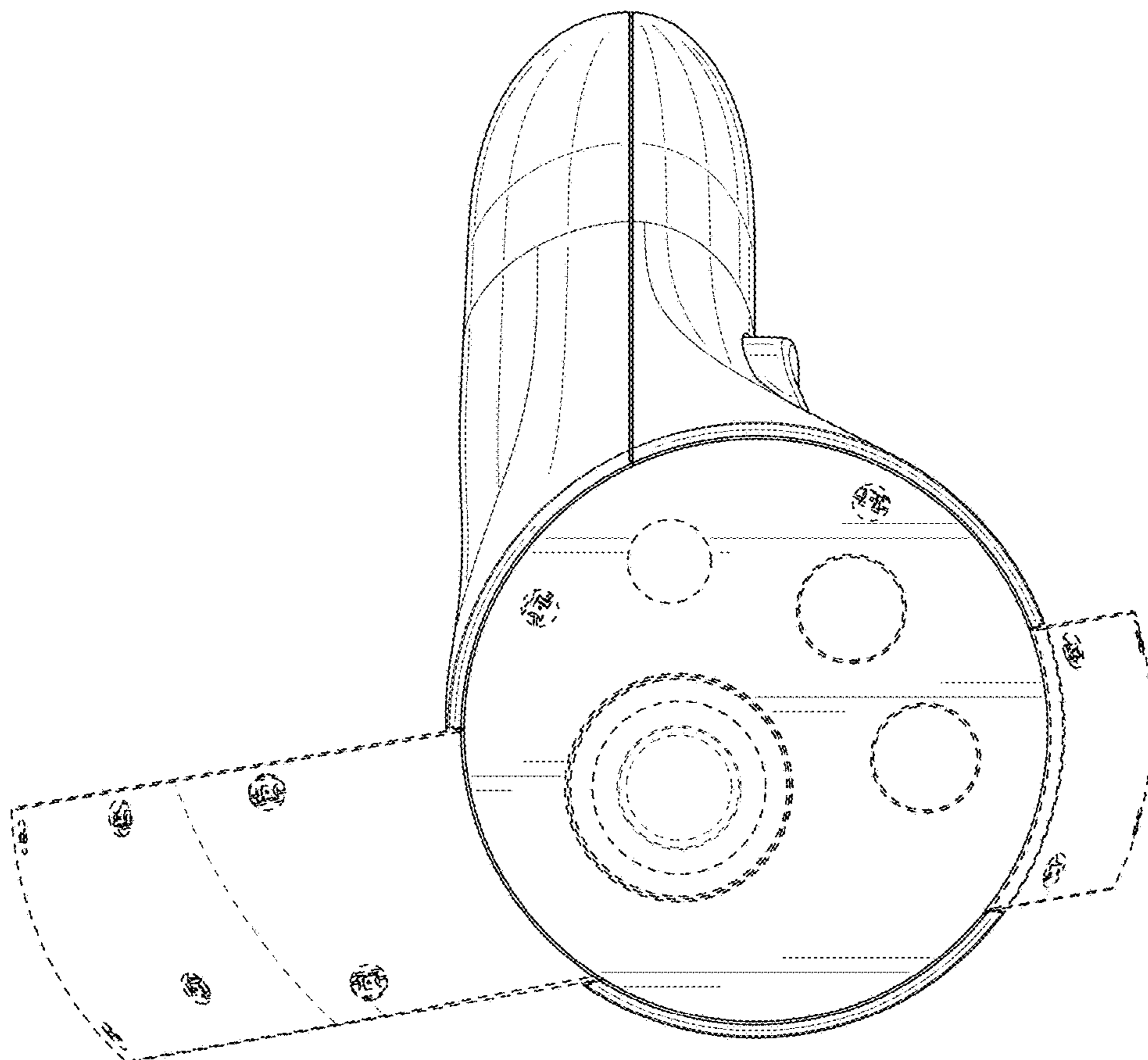


Fig. 6

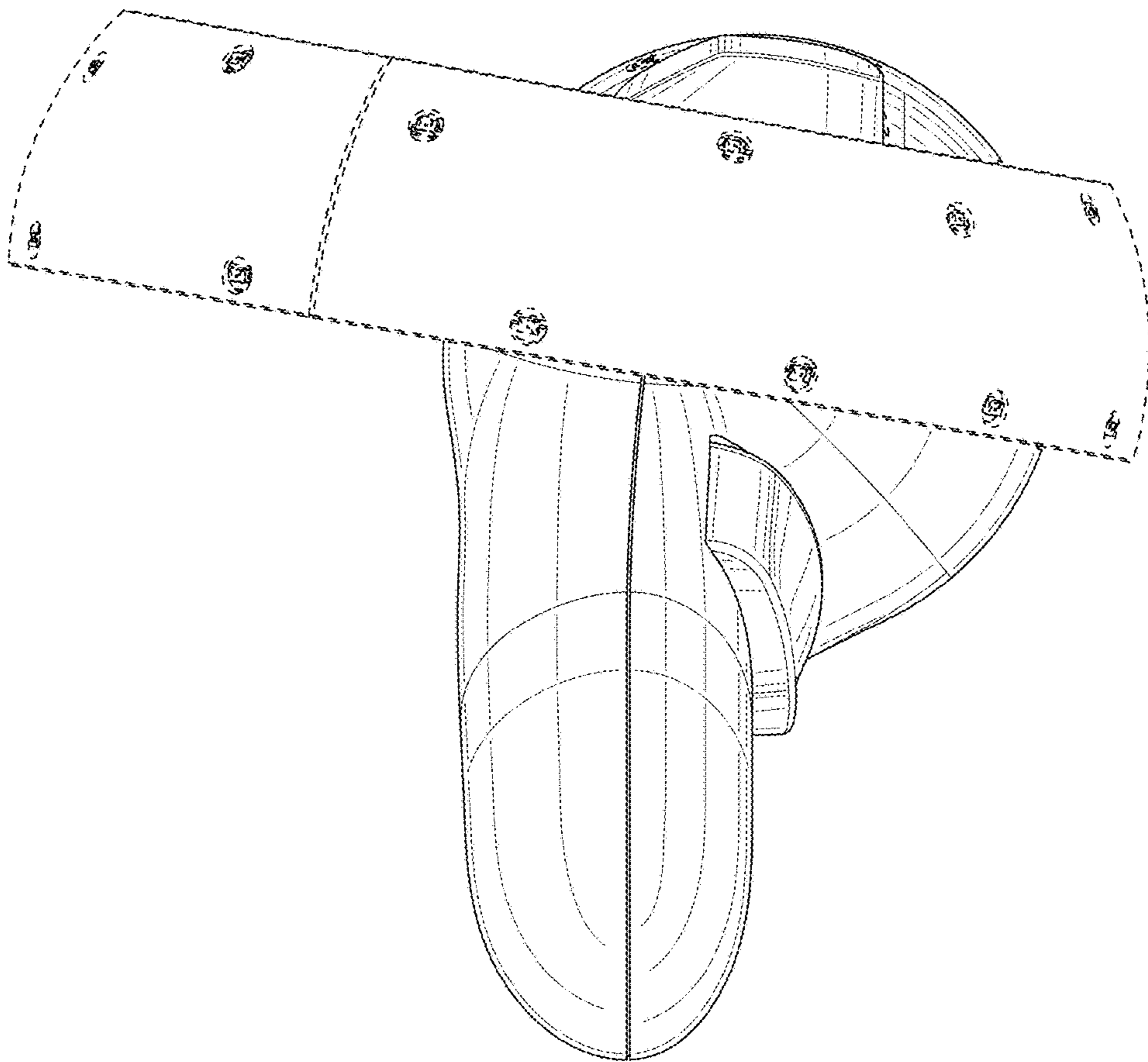


Fig. 7