



US00D827033S

(12) **United States Design Patent**  
**Nokuo**

(10) **Patent No.:** **US D827,033 S**

(45) **Date of Patent:** **\*\* Aug. 28, 2018**

(54) **CONTROLLER FOR ELECTRONIC DEVICE**

(71) Applicant: **SONY INTERACTIVE ENTERTAINMENT INC.**, Tokyo (JP)

(72) Inventor: **Taichi Nokuo**, Tokyo (JP)

(73) Assignee: **SONY INTERACTIVE ENTERTAINMENT INC.**, Tokyo (JP)

(\*\*) Term: **15 Years**

(21) Appl. No.: **29/586,981**

(22) Filed: **Dec. 8, 2016**

(30) **Foreign Application Priority Data**

Jun. 9, 2016 (JP) ..... 2016-012353

(51) **LOC (11) Cl.** ..... **21-01**

(52) **U.S. Cl.**  
USPC ..... **D21/333**

(58) **Field of Classification Search**  
USPC ..... D14/399-401, 412-418; D21/148 B;  
463/1, 29-39, 46, 47; 345/156-161, 905  
CPC .. A63F 13/02; A63F 9/24; A63F 13/12; A63F  
9/00; A63F 11/00; A63F 71/00; G06F  
3/02; G06F 3/033; G09G 5/00  
See application file for complete search history.

(56) **References Cited**

**U.S. PATENT DOCUMENTS**

1,085,698 A \* 2/1914 Nelson ..... F41A 17/64  
42/7  
1,430,662 A \* 10/1922 Lewis ..... F41A 3/26  
42/70.06  
2,465,815 A \* 3/1949 Palma ..... F41A 19/53  
42/59

2,936,097 A \* 5/1960 Loria ..... B05C 17/005  
222/103  
D316,878 S \* 5/1991 Ishiwata ..... D14/418  
6,510,639 B2 \* 1/2003 McMoore ..... F41A 17/20  
42/70.06  
D472,241 S \* 3/2003 Kim ..... D14/418  
D492,979 S \* 7/2004 Chen ..... D23/223  
D553,713 S \* 10/2007 Chih ..... D23/226  
7,698,846 B2 \* 4/2010 Do Amarante ..... F41A 17/066  
42/70.01  
8,186,337 B2 \* 5/2012 Nadel ..... F41A 11/02  
124/63  
D705,394 S \* 5/2014 Alexander ..... D23/226  
D754,258 S \* 4/2016 Sakai ..... D14/418

\* cited by examiner

*Primary Examiner* — Prabhakar G Deshmukh

(74) *Attorney, Agent, or Firm* — Young & Thompson

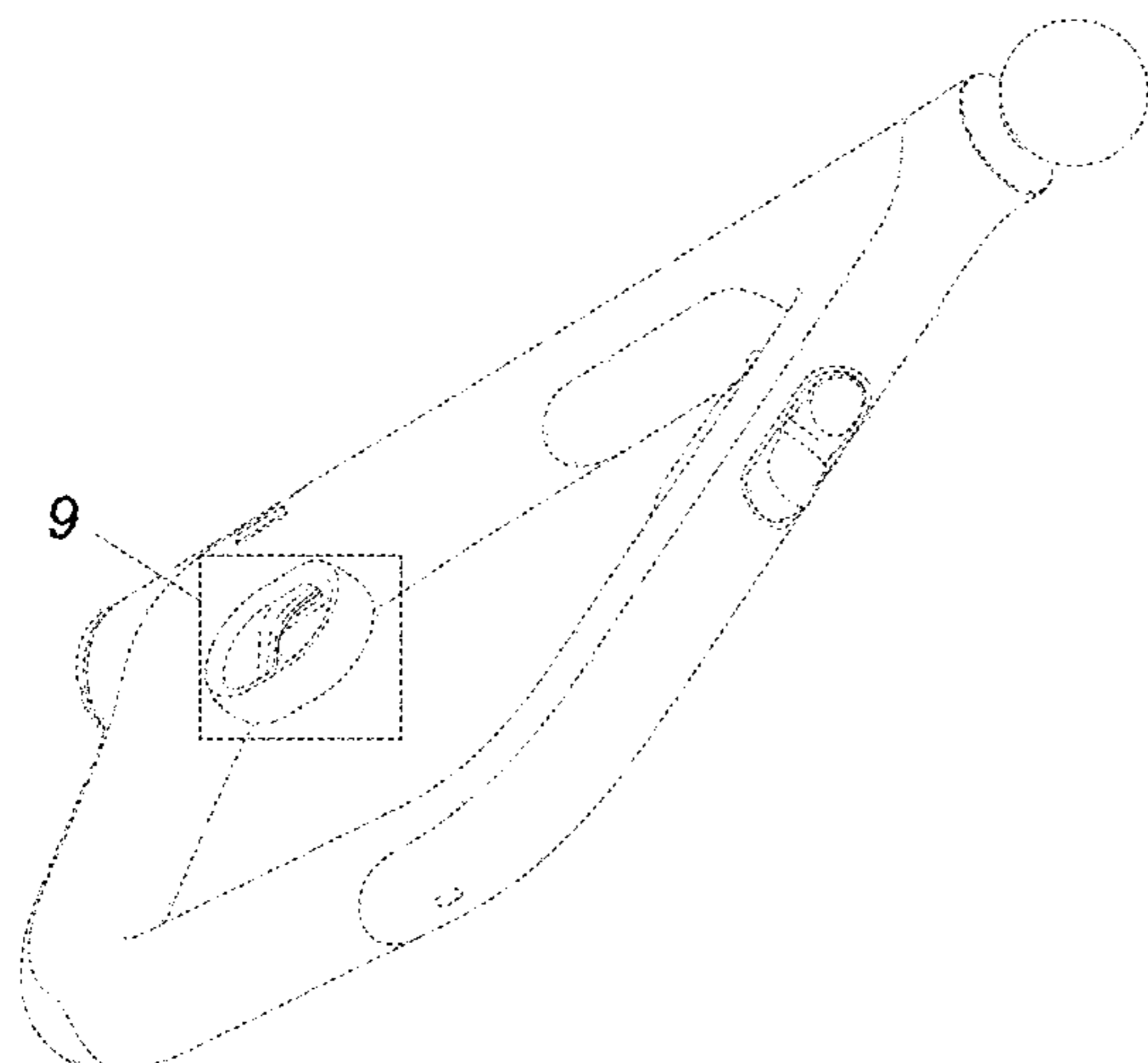
(57) **CLAIM**

The ornamental design for a controller for electronic device, as shown and described.

**DESCRIPTION**

FIG. 1 is a perspective view of front, top and right side of a controller for electronic device showing my new design; FIG. 2 is a perspective view of rear, bottom and left side thereof; FIG. 3 is a front view thereof; FIG. 4 is a rear view thereof; FIG. 5 is a left side view thereof; FIG. 6 is a right side view thereof; FIG. 7 is a top view thereof; FIG. 8 is a bottom view thereof; and, FIG. 9 is an enlarged view showing a portion 9 in FIG. 2 thereof. The broken lines illustrate unclaimed portions and form no part of the claimed design.

**1 Claim, 7 Drawing Sheets**



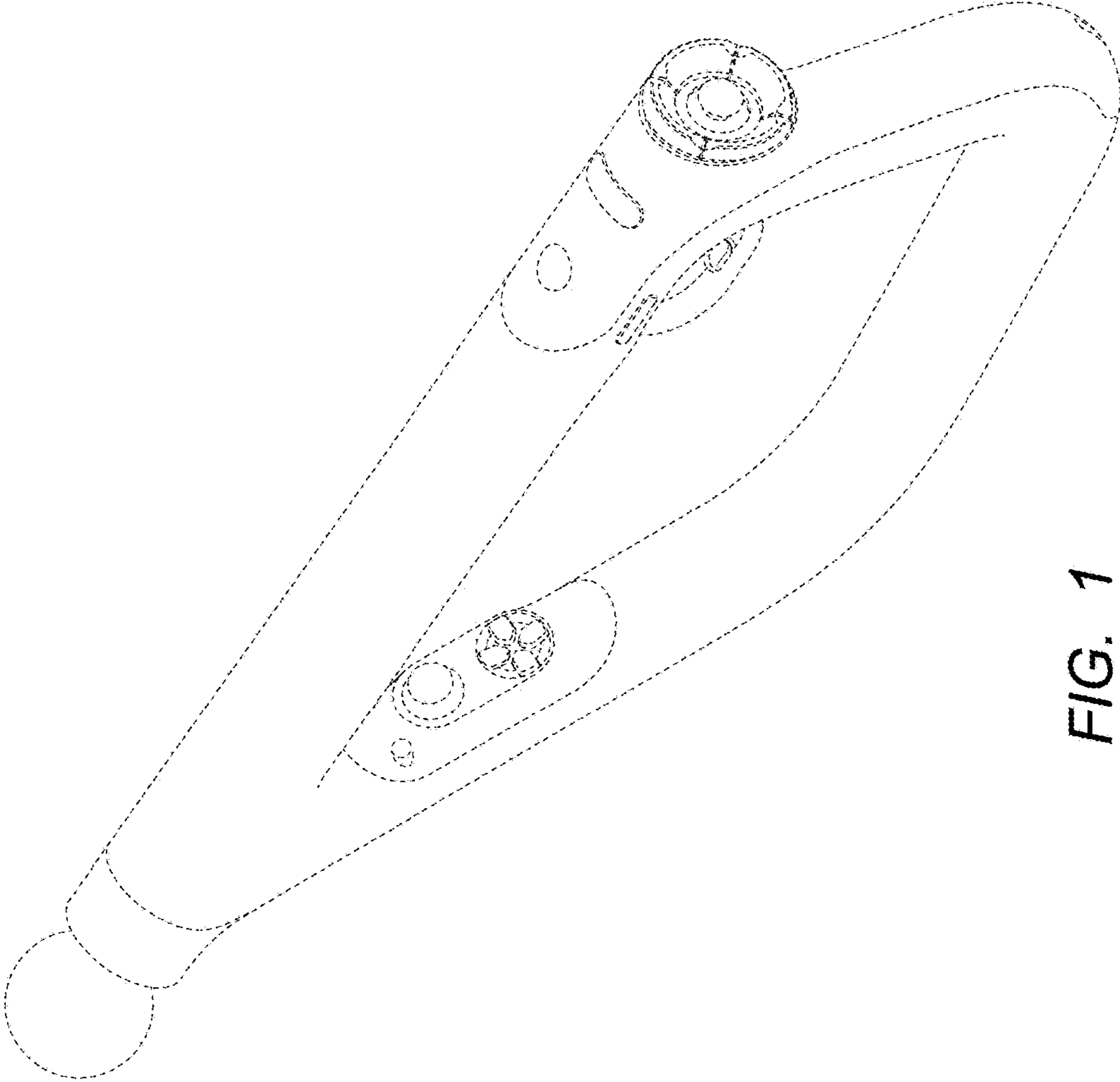


FIG. 1

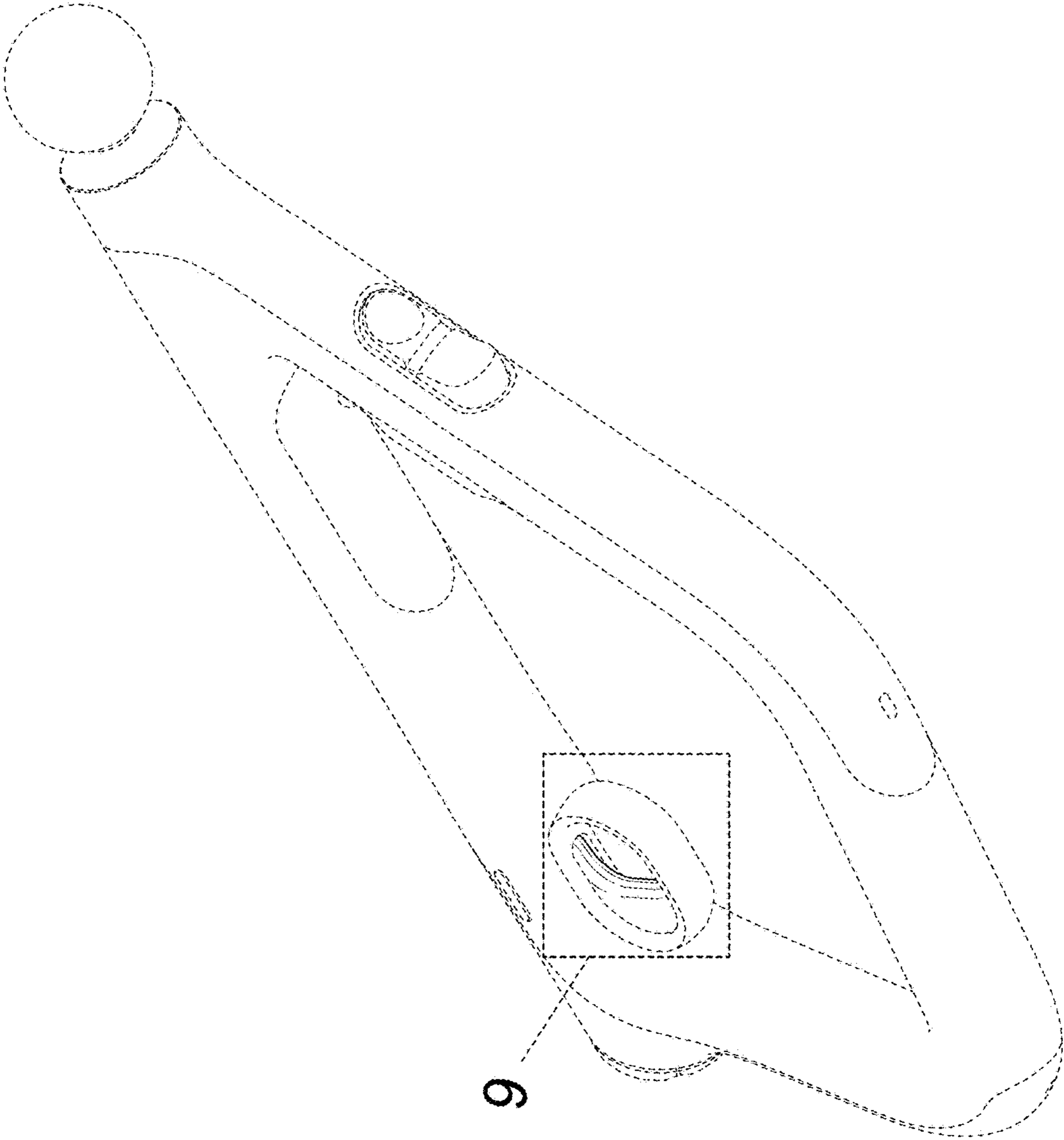


FIG. 2

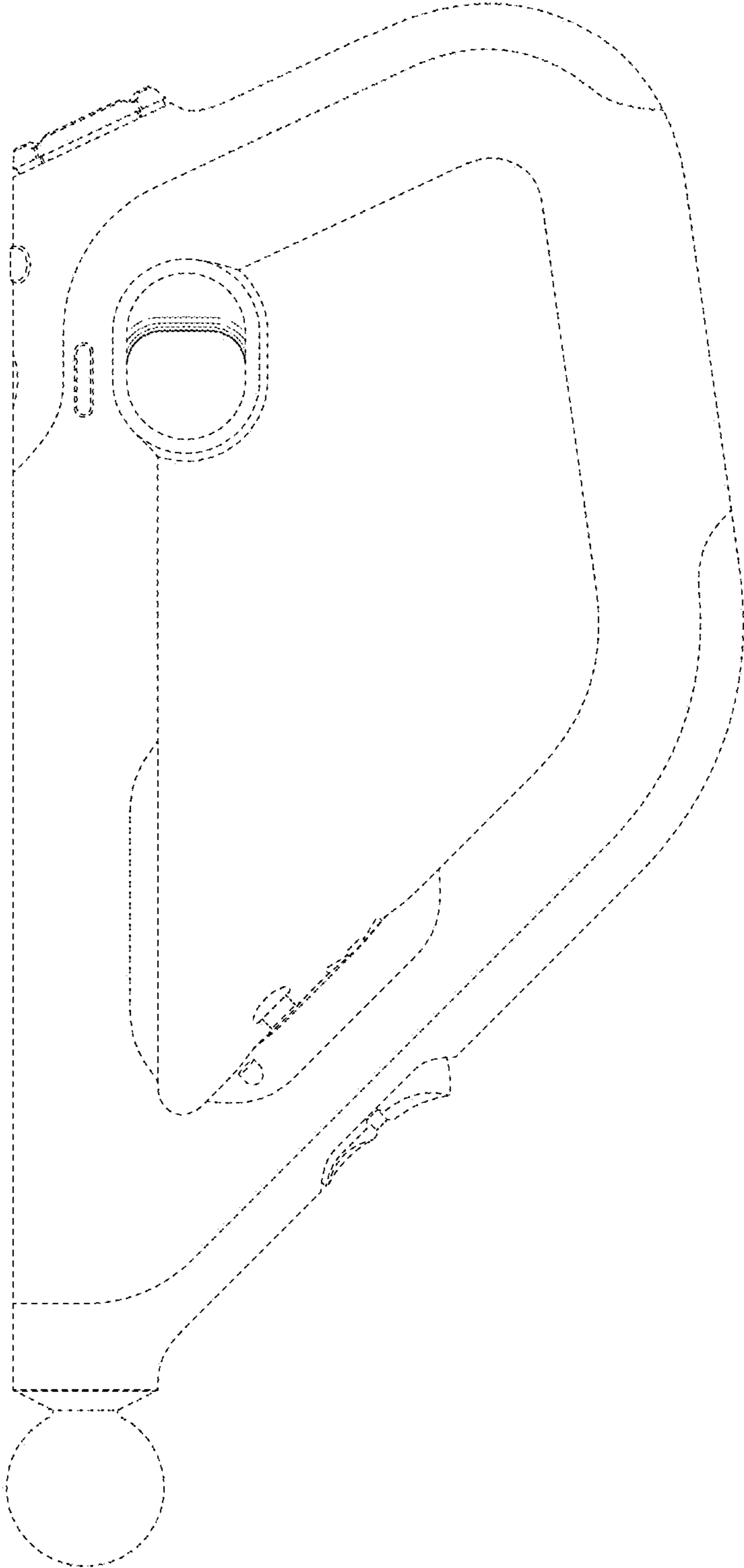


FIG. 3

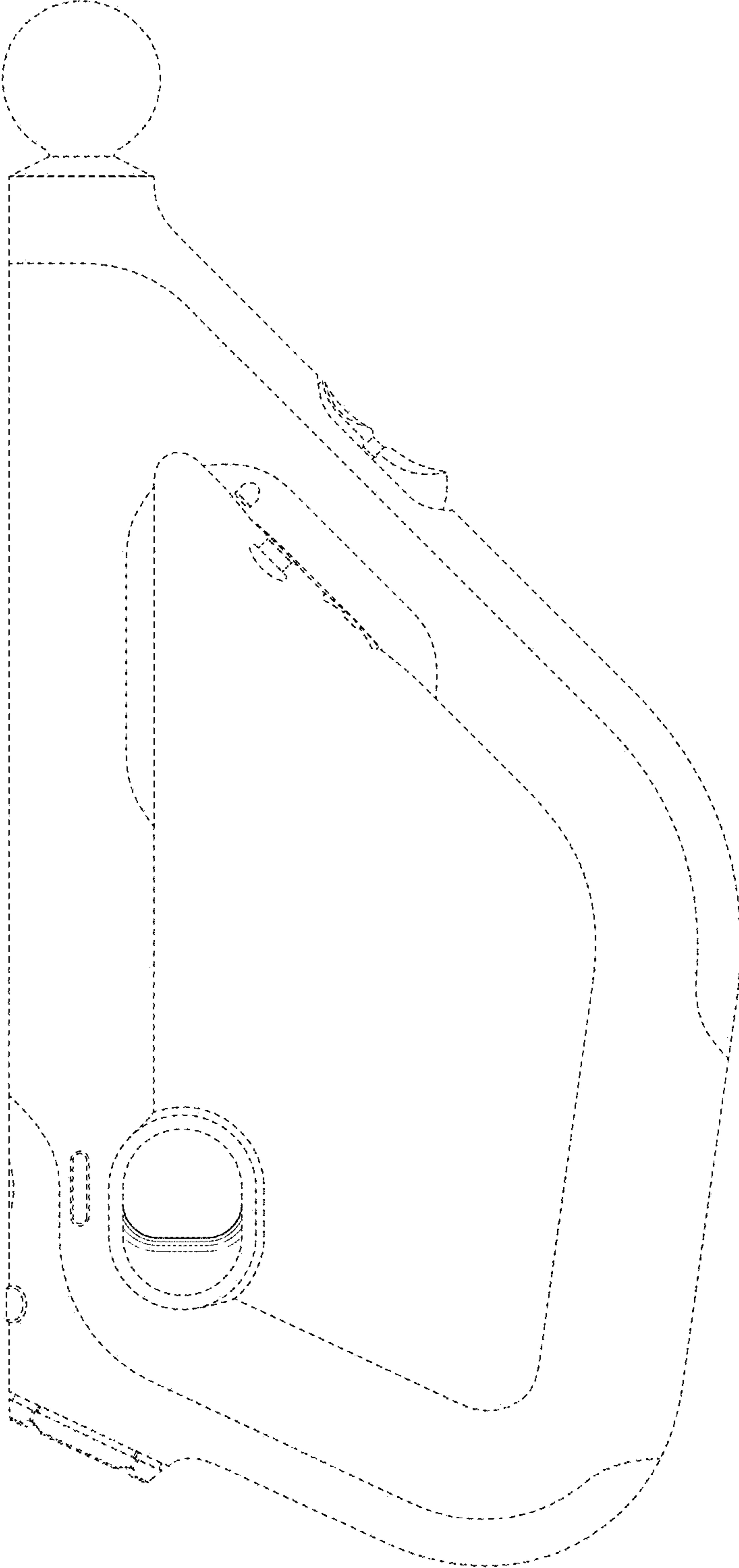


FIG. 4

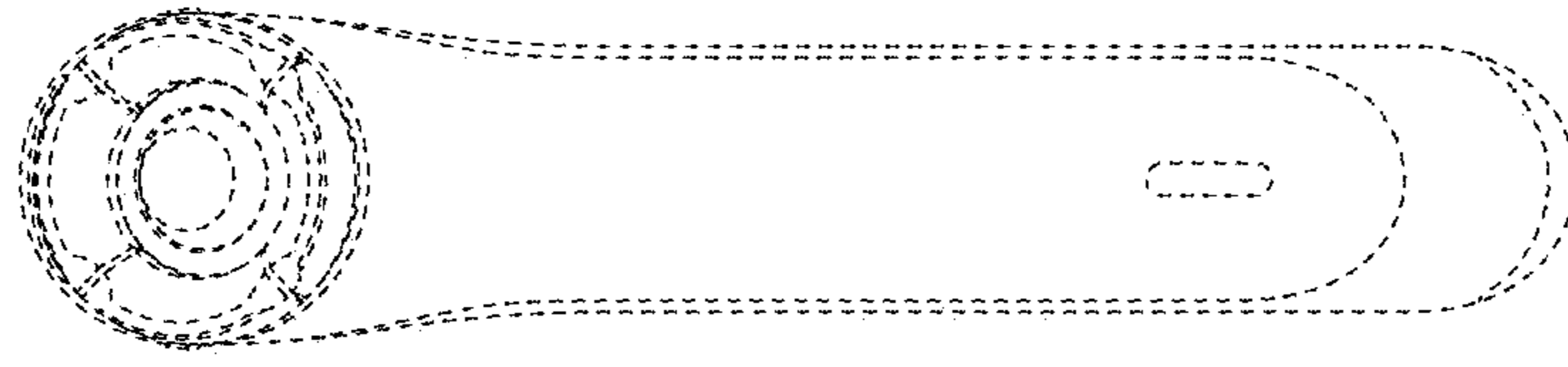


FIG. 5

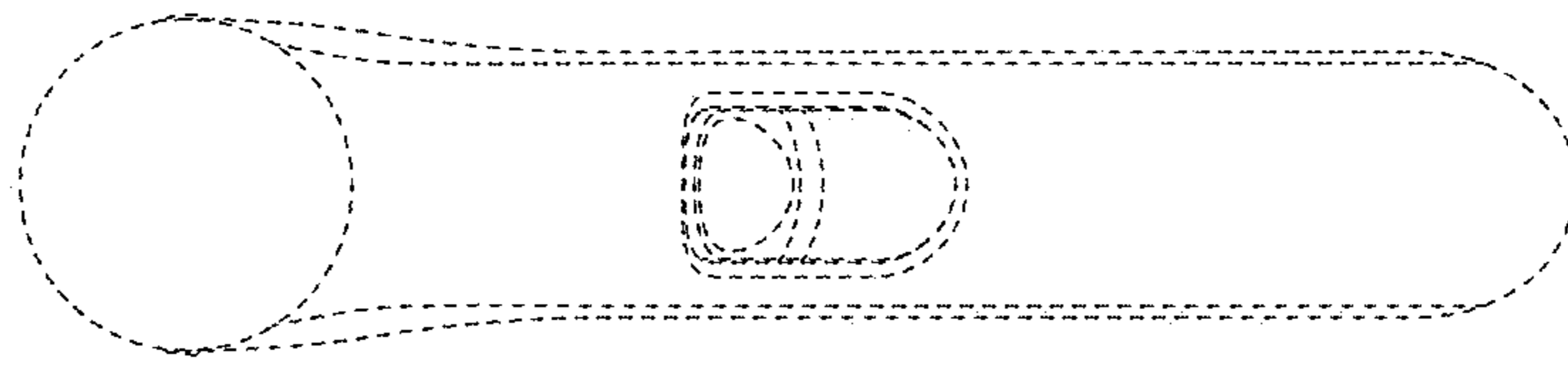


FIG. 6

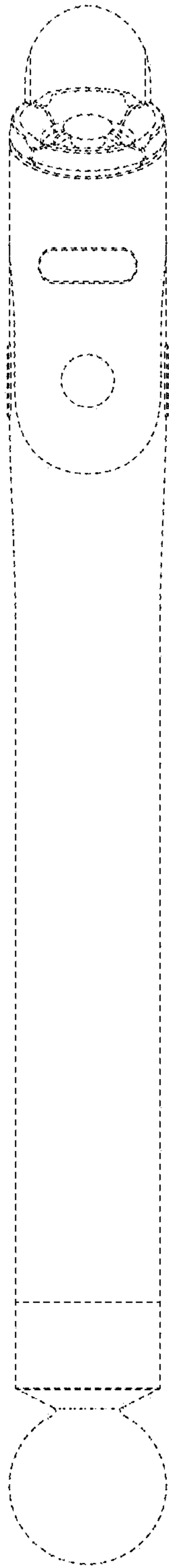


FIG. 7

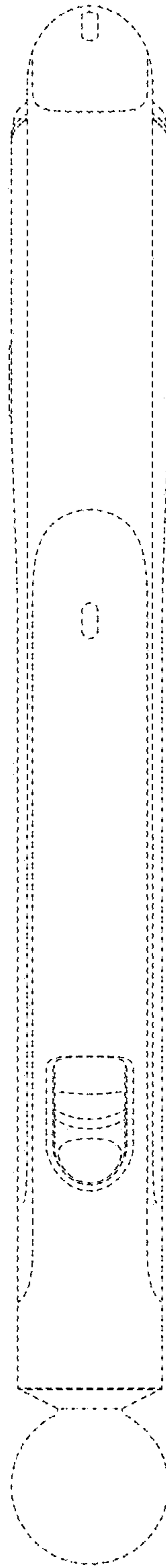


FIG. 8

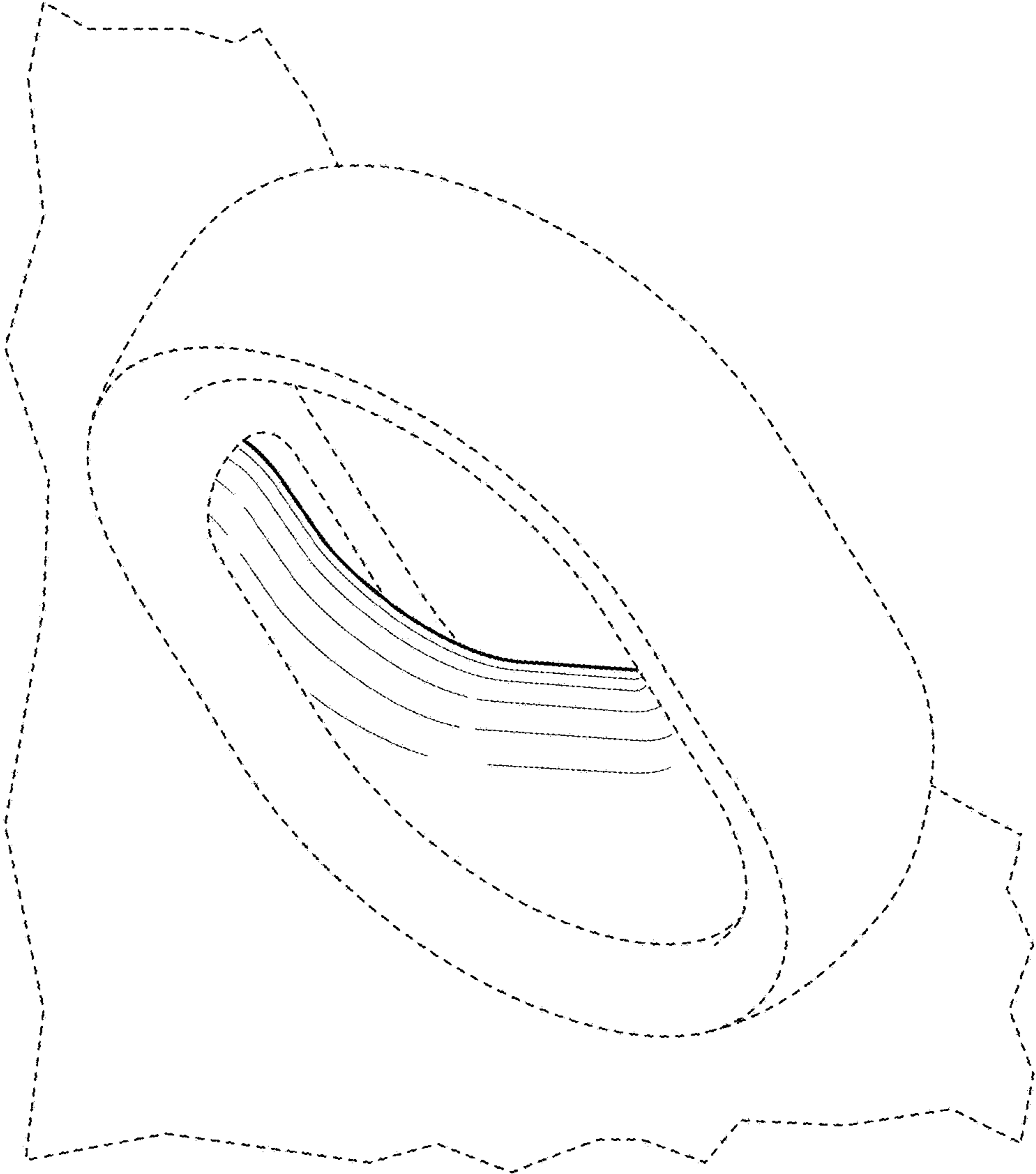


FIG. 9