



US00D827031S

(12) **United States Design Patent**
Valladares

(10) **Patent No.:** **US D827,031 S**

(45) **Date of Patent:** **** Aug. 28, 2018**

(54) **BEAN BAG TOSS GAME DEVICE WITH LIQUID SPRAYER**

(71) Applicant: **Donny Valladares**, Kissimmee, FL (US)

(72) Inventor: **Donny Valladares**, Kissimmee, FL (US)

(**) Term: **15 Years**

(21) Appl. No.: **29/603,190**

(22) Filed: **May 8, 2017**

Related U.S. Application Data

(62) Division of application No. 29/549,850, filed on Dec. 28, 2015, now Pat. No. Des. 786,401.

(51) **LOC (11) Cl.** **21-01**

(52) **U.S. Cl.**
USPC **D21/303**

(58) **Field of Classification Search**
USPC D21/300, 302, 303, 318, 334; 273/317, 273/331, 336, 398, 400, 402, 407, 408, 273/410, 118 R, 123 R, 236, 348, 386, 273/287; 473/569, 578, 592; D23/213, D23/214, 201; 239/548, 556, 550, 566, 239/273, 276, 288, 288.3
CPC A63B 63/00; A63B 67/00; A63B 71/00
See application file for complete search history.

(56) **References Cited**

U.S. PATENT DOCUMENTS

- 4,261,577 A * 4/1981 Ellis A63F 7/249 124/7
- 4,943,065 A * 7/1990 DeLapa A63B 67/06 273/402
- 4,968,041 A * 11/1990 Calvo A63B 67/06 273/401
- D382,601 S * 8/1997 Antill D21/303

- 5,996,507 A * 12/1999 Joseph B60N 3/001 108/125
- D438,910 S * 3/2001 Culberson D21/303
- 7,591,471 B2 * 9/2009 Walterscheid A63B 67/06 273/348.3
- D706,354 S * 6/2014 Montenare D21/303
- D706,355 S * 6/2014 Montenare D21/303
- D729,319 S * 5/2015 Meissner et al. D21/303

* cited by examiner

Primary Examiner — Keli L Hill

(74) *Attorney, Agent, or Firm* — Nancy J. Flint, Attorney at Law, P.A.; Nancy J. Flint, Esq.

(57) **CLAIM**

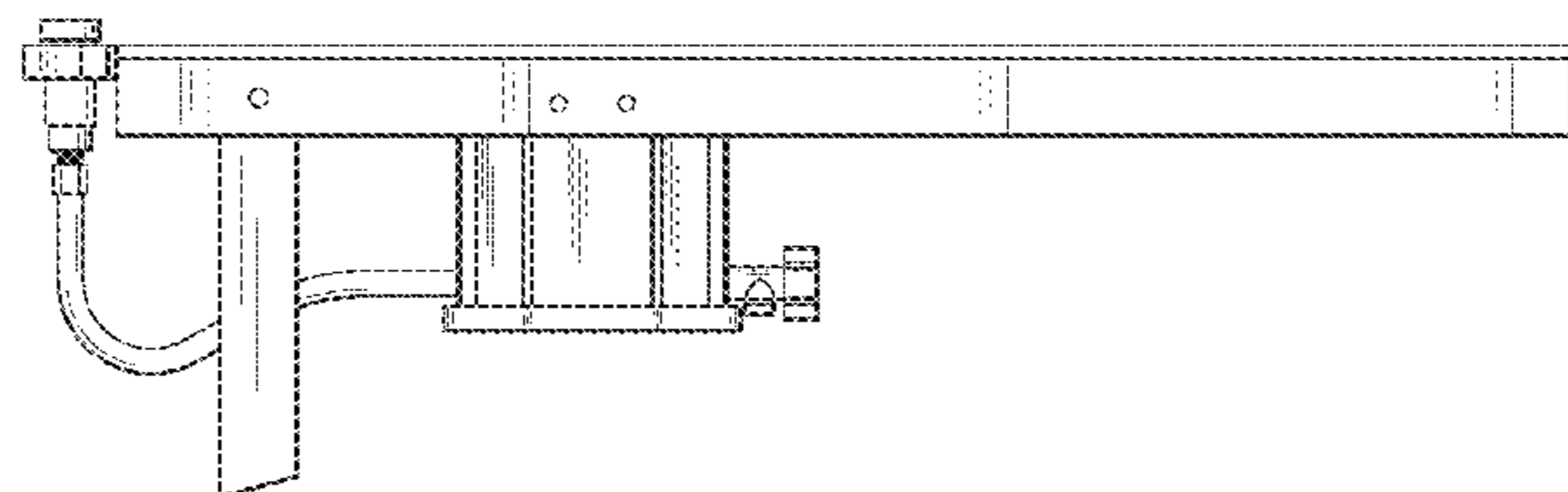
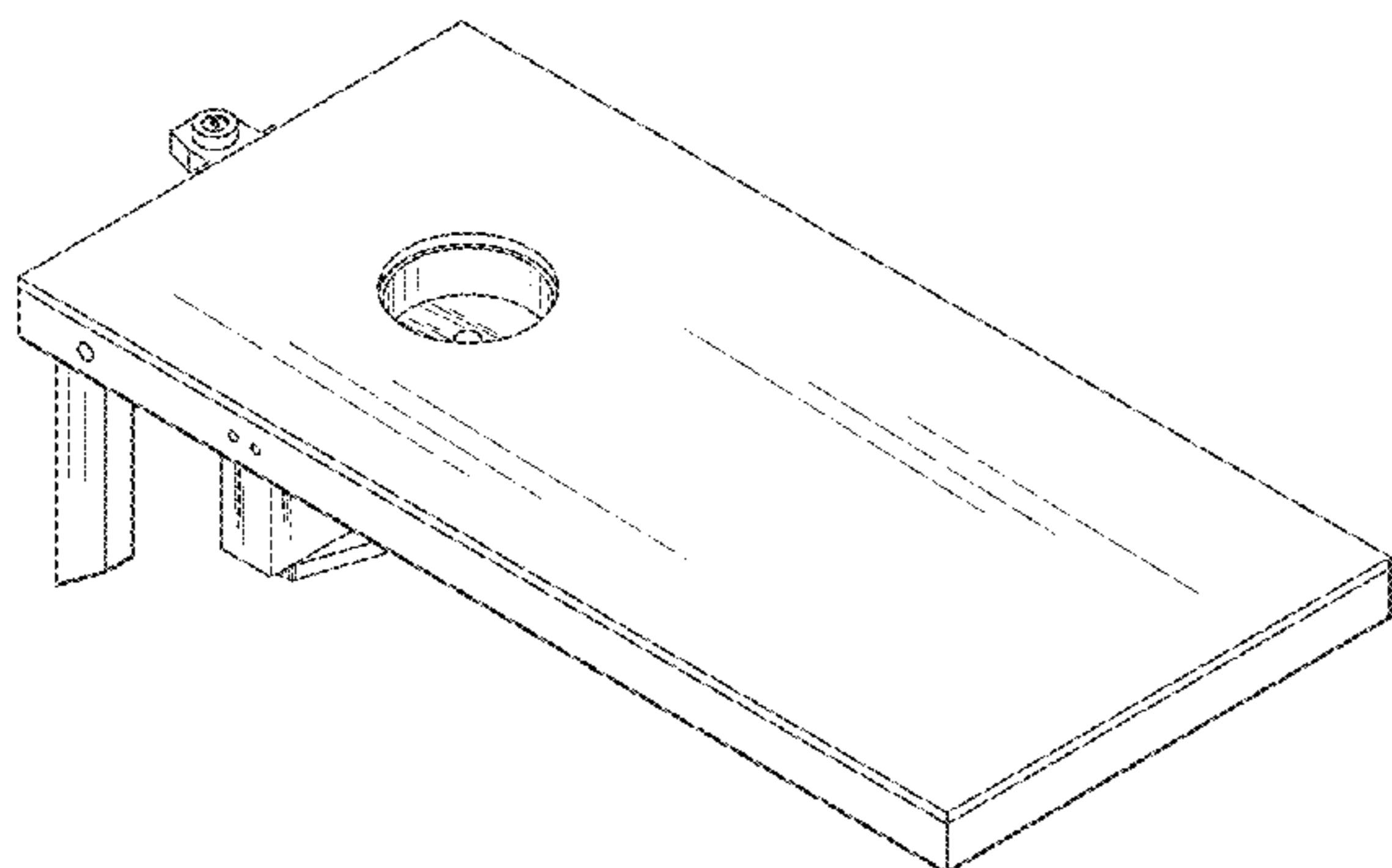
The ornamental design for a bean bag toss game device with liquid sprayer, as shown and described.

DESCRIPTION

FIG. 1 is a perspective view of a bean bag toss game device with liquid sprayer showing my new design;
 FIG. 2 is a top view of the bean bag toss game device with liquid sprayer;
 FIG. 3 is a front view of the bean bag toss game device with liquid sprayer;
 FIG. 4 is a rear view of the bean bag toss game device with liquid sprayer;
 FIG. 5 is a left side view of the bean bag toss game device with liquid sprayer;
 FIG. 6 is a bottom view of the bean bag toss game device with liquid sprayer;
 FIG. 7 is a perspective view of the bean bag toss game device with liquid sprayer in use; and,
 FIG. 8 is a perspective view of the bean bag toss game device with liquid sprayer in use.

Right side views not shown are mirror images of left side views. The broken lines shown in the drawings are for the purpose of illustrating environment that forms no part of the claimed design.

1 Claim, 7 Drawing Sheets



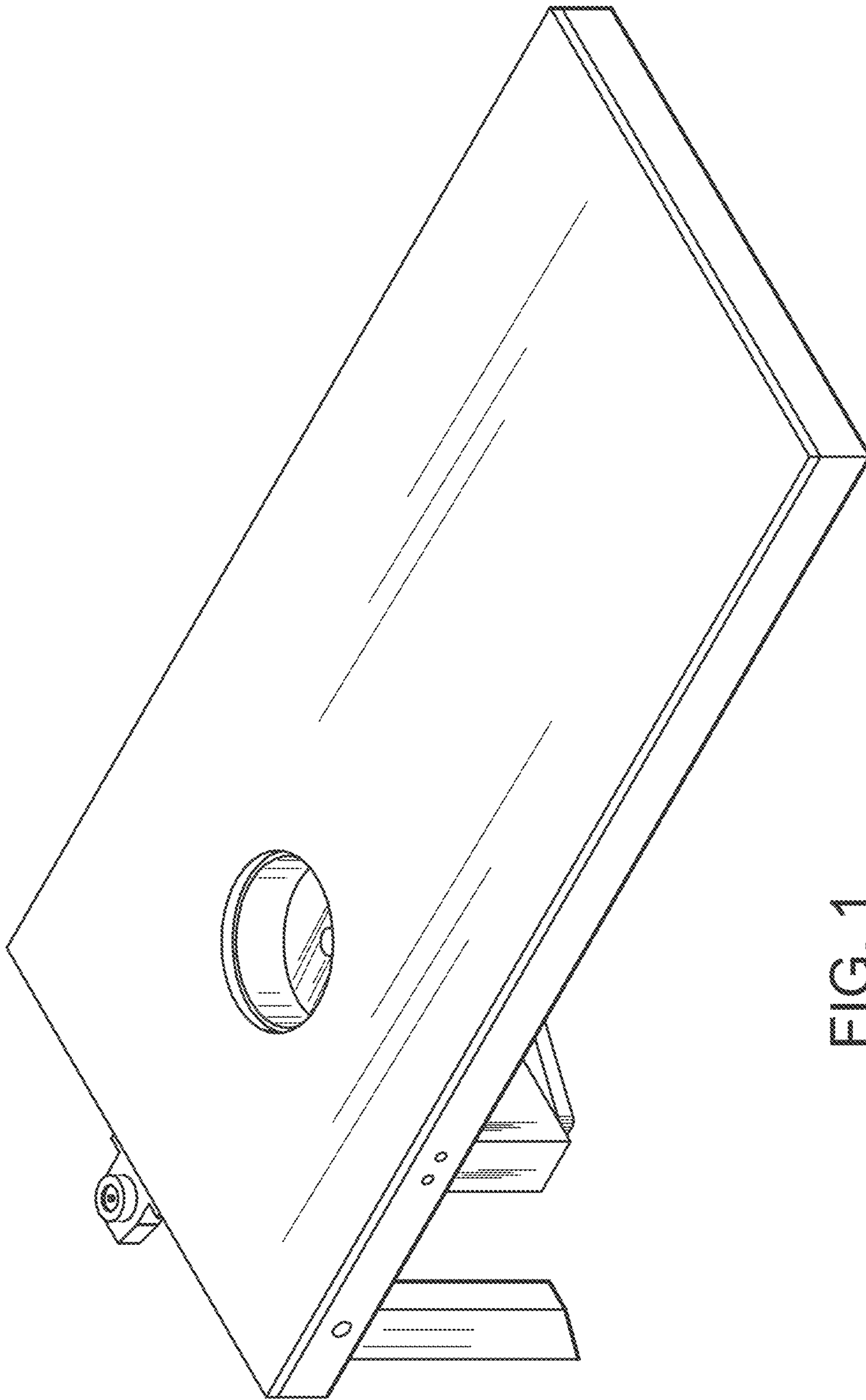


FIG. 1

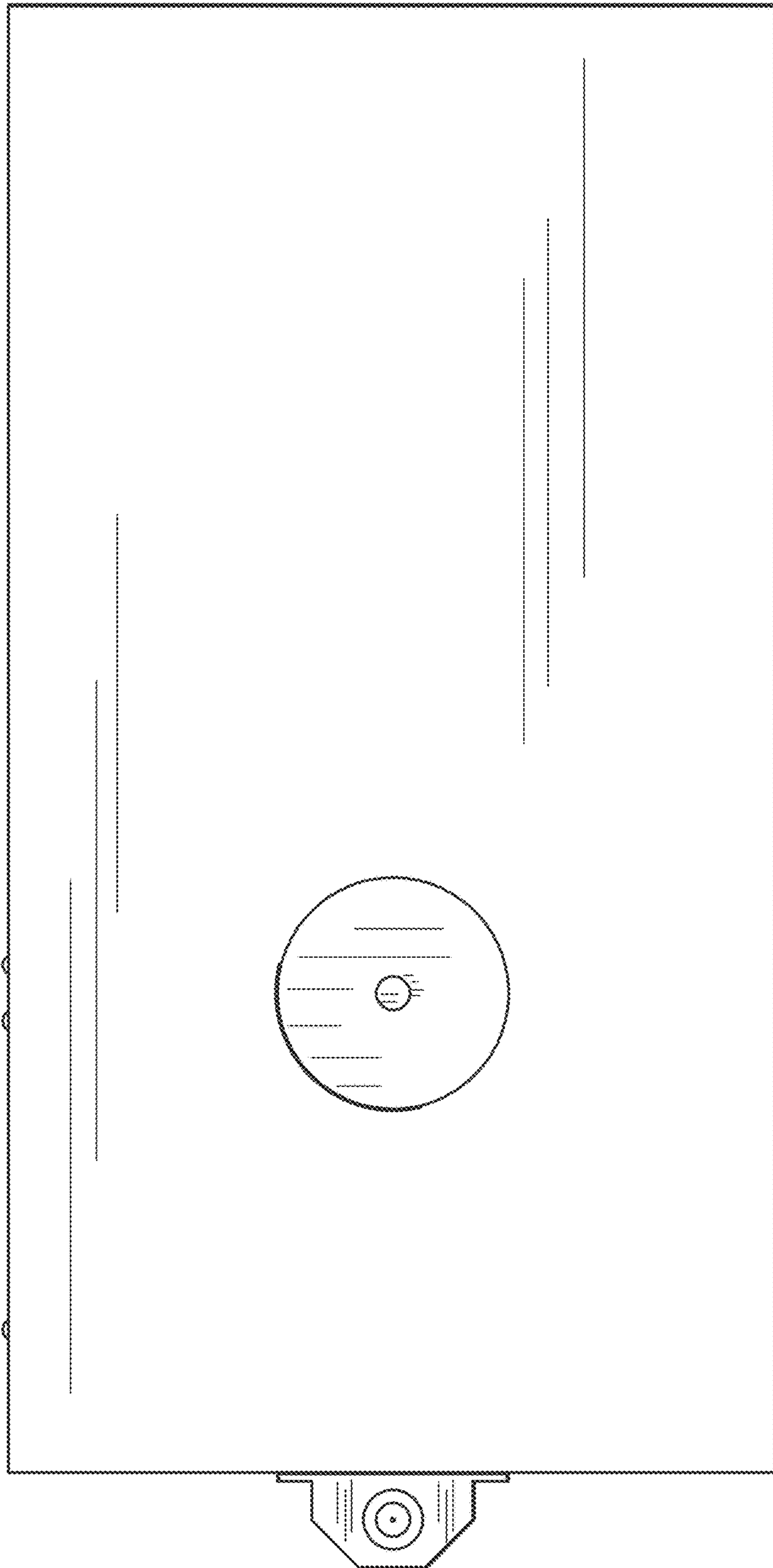


FIG. 2

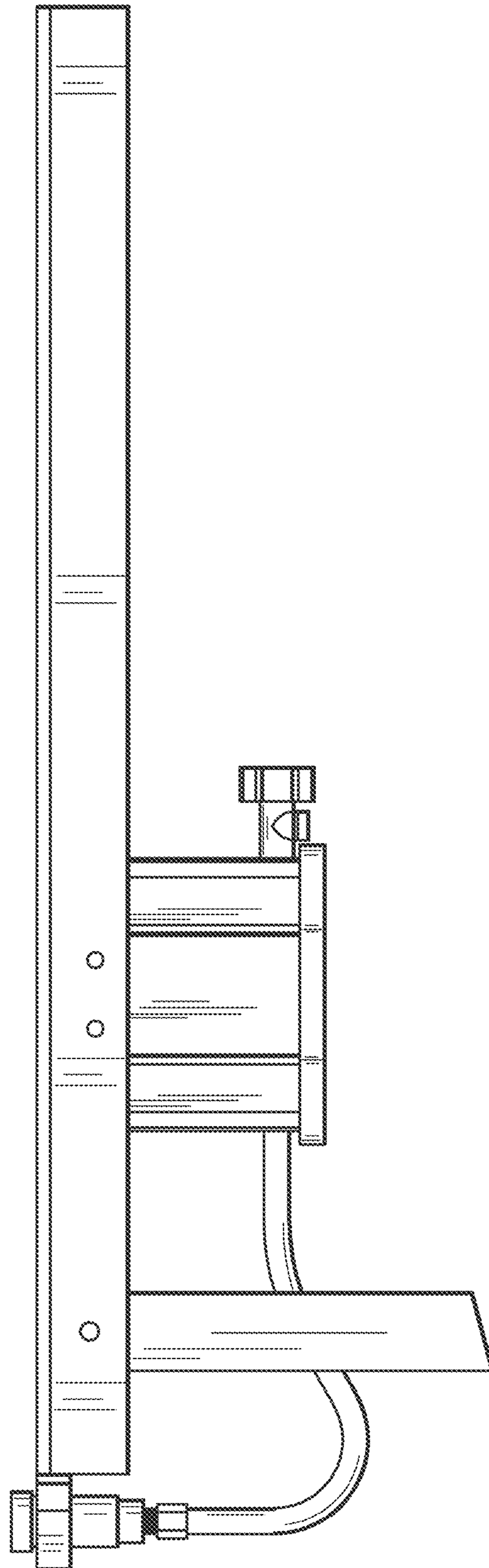


FIG. 3

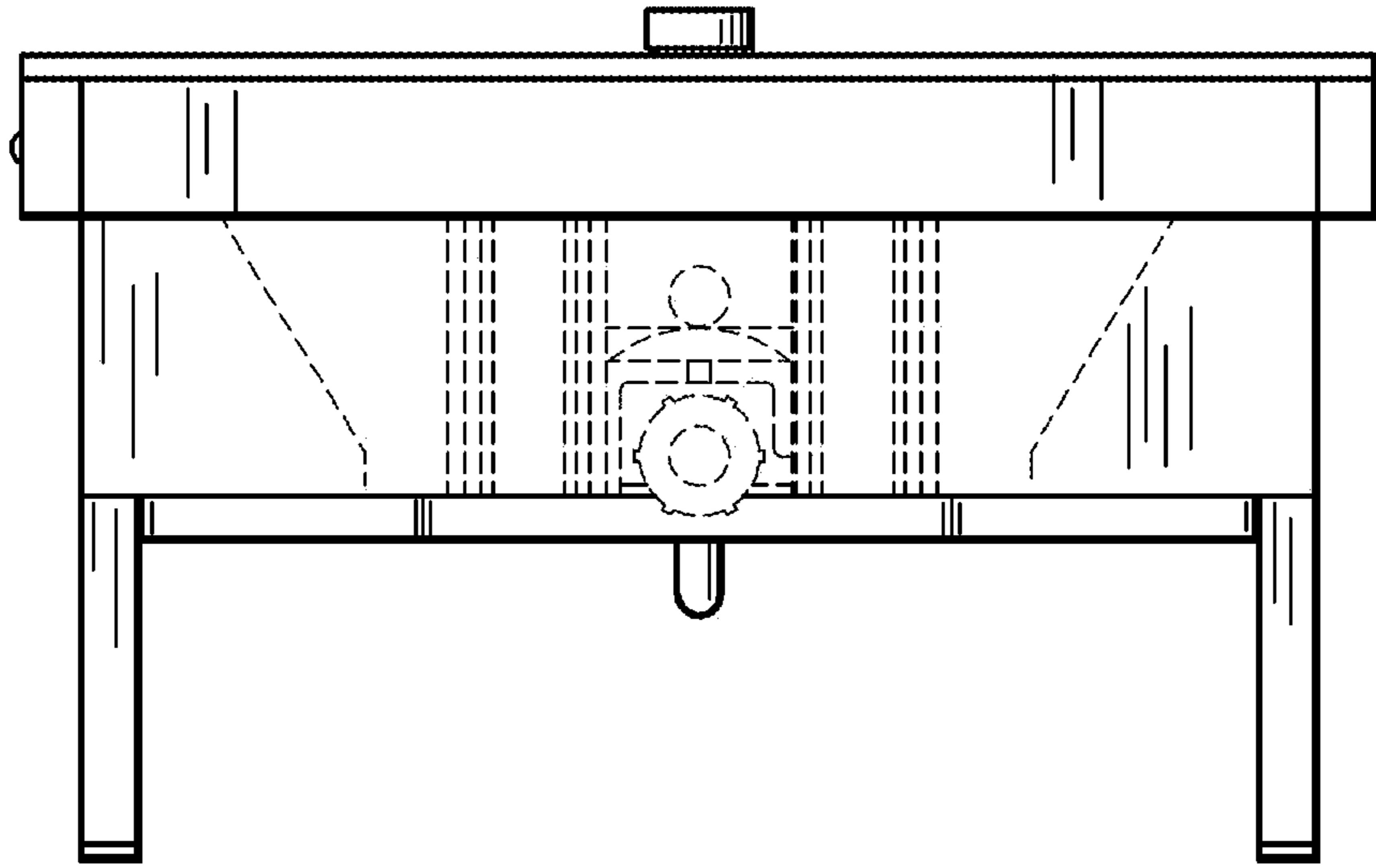


Fig. 4

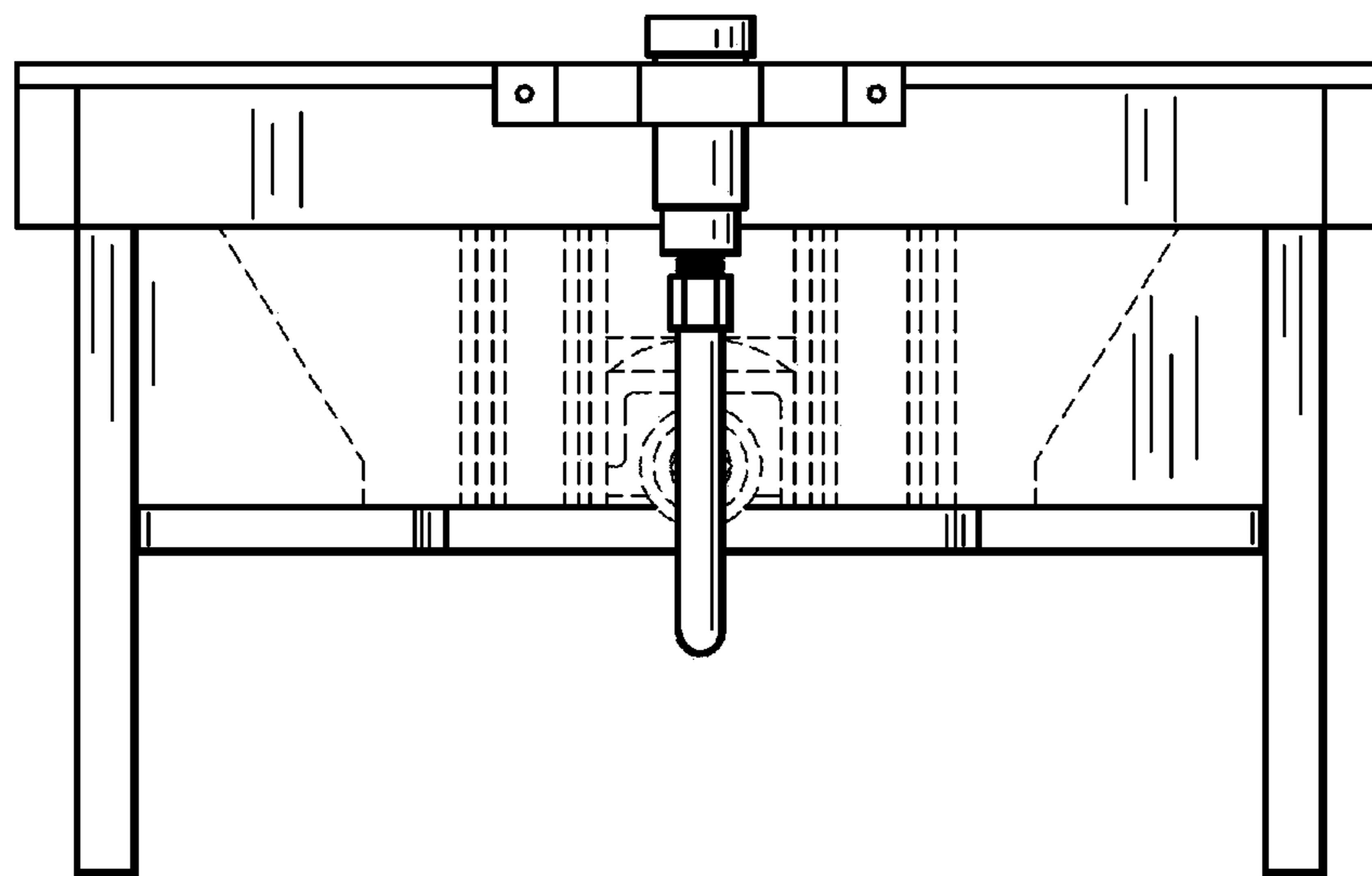


Fig. 5

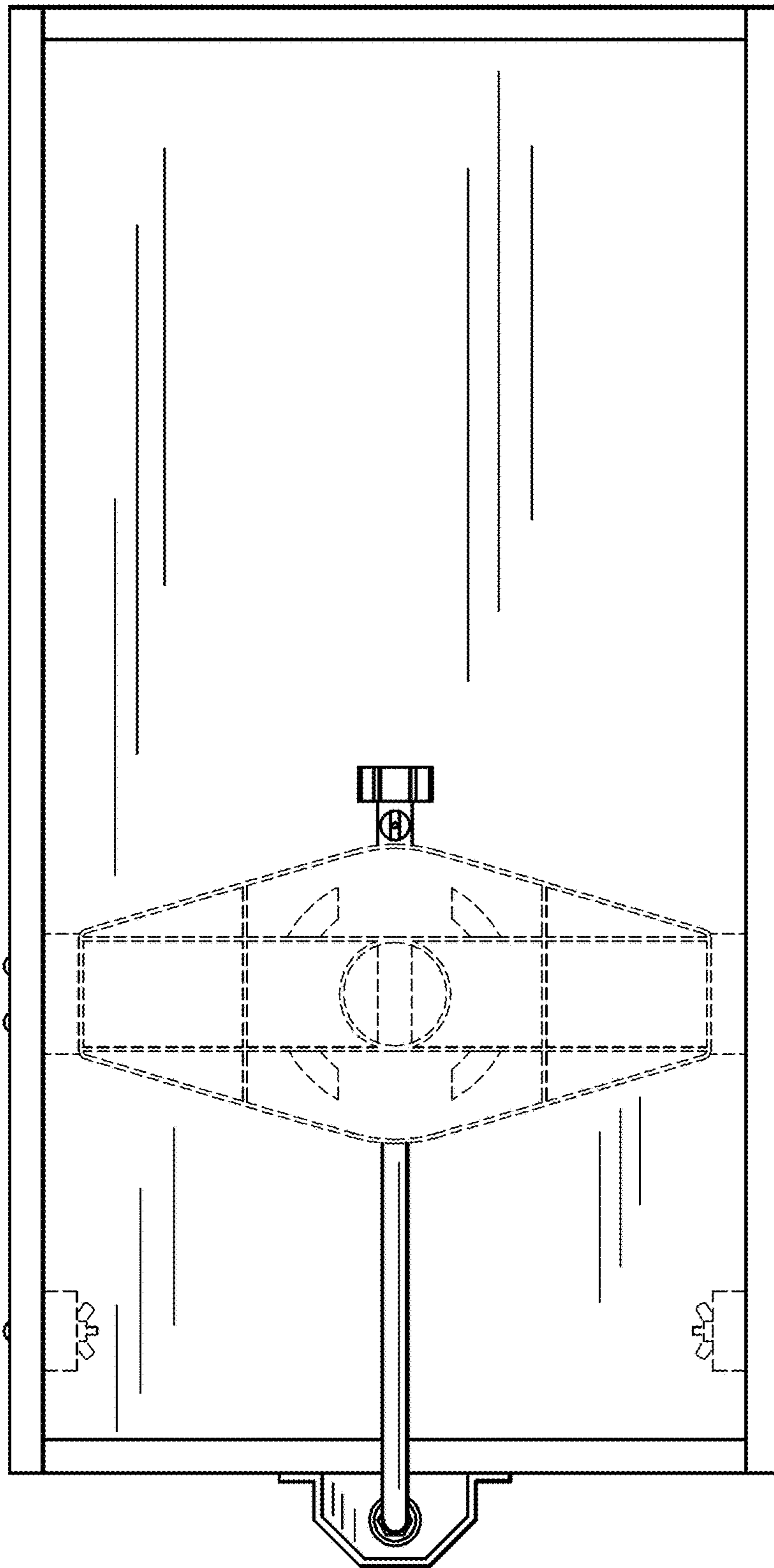


Fig. 6

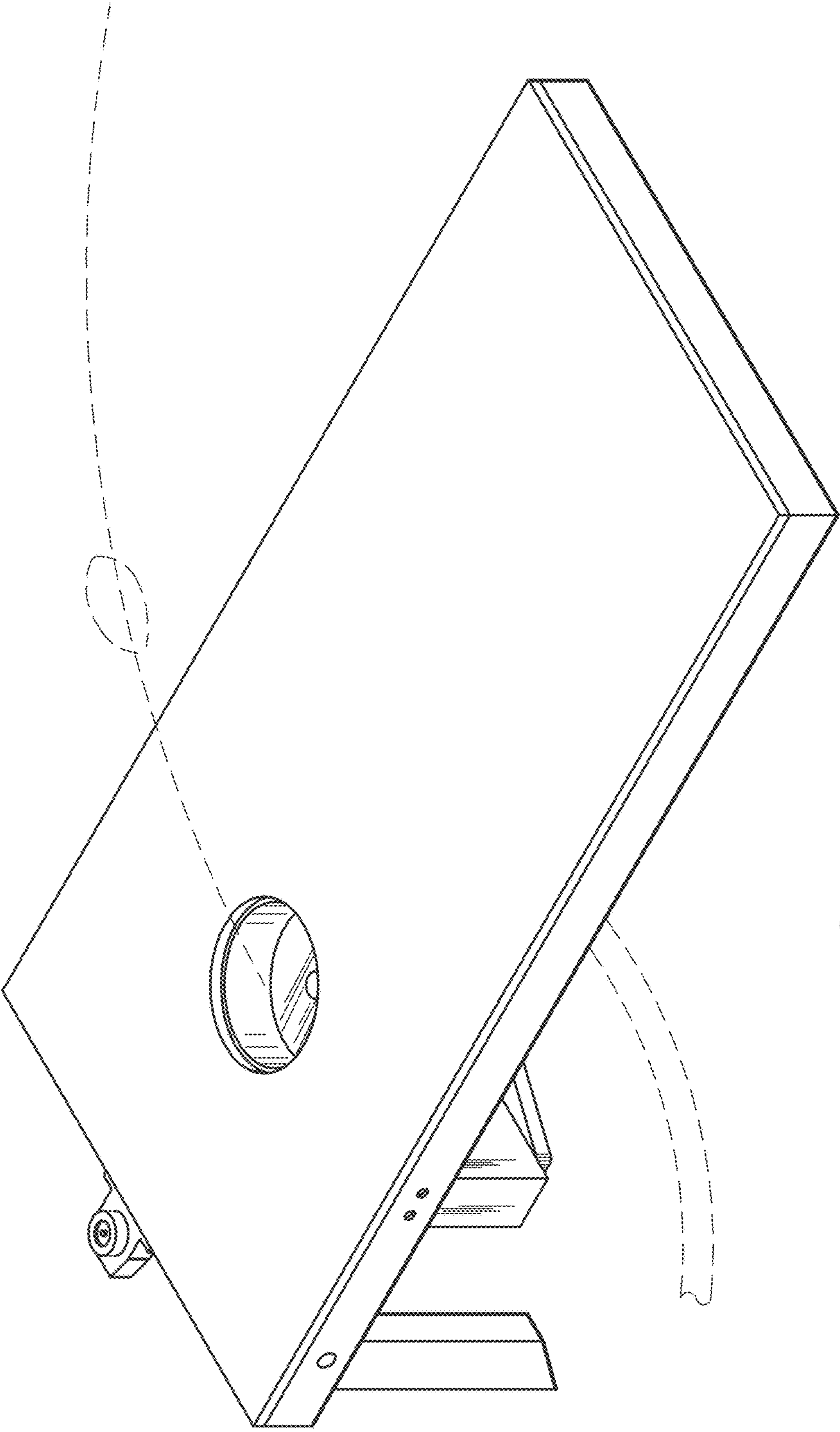


FIG. 7

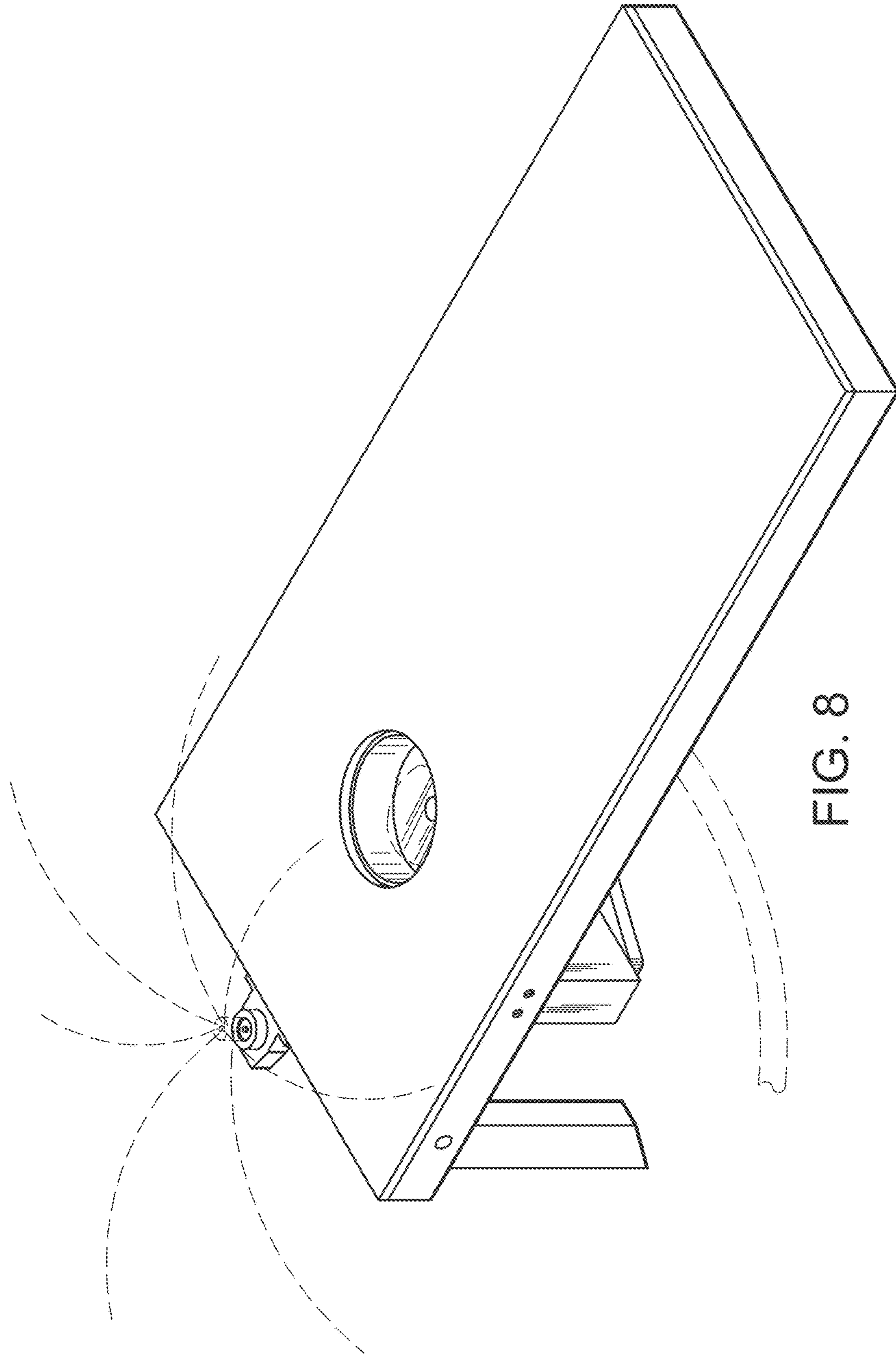


FIG. 8